



US00D449878B1

(12) **United States Design Patent**
Bjersten

(10) **Patent No.:** **US D449,878 S**

(45) **Date of Patent:** **** Oct. 30, 2001**

(54) **FILTER CASSETTE**

(75) Inventor: **Peter Bjersten**, Tyreso (SE)

(73) Assignee: **King Wall AB**, Haninge (SE)

(**) Term: **14 Years**

(21) Appl. No.: **29/116,226**

(22) Filed: **Dec. 30, 1999**

(30) **Foreign Application Priority Data**

Jun. 30, 1999 (SE) 99-1206

(51) **LOC (7) Cl.** **23-04**

(52) **U.S. Cl.** **D23/365**

(58) **Field of Search** 55/501, 495; D23/365

(56) **References Cited**

U.S. PATENT DOCUMENTS

1,968,436	*	7/1934	Bishop	55/495
5,462,569	*	10/1995	Benjamin	55/495
5,782,944	*	7/1998	Justice	55/495

* cited by examiner

Primary Examiner—Lisa Lichtenstein

(74) *Attorney, Agent, or Firm*—Birch, Stewart, Kolasch & Birch, LLP

(57) **CLAIM**

The ornamental design for a filter cassette, as shown and described.

DESCRIPTION

FIG. 1 is a front, perspective view of a first embodiment of a filter cassette showing my new design;

FIG. 2 is a top, plan view of the filter cassette of FIG. 1; FIG. 3 is a first embodiment of a bottom plan view of the filter cassette of FIG. 1;

FIG. 4 is a second embodiment of a bottom plan view of the filter cassette of FIG. 1;

FIG. 5 is a right side elevational view of the filter cassette of FIG. 1, the left side view being the same;

FIG. 6 is a front elevational view of the filter cassette of FIG. 1, the rear elevational view being the same;

FIG. 7 is a front perspective view of a third embodiment of a filter cassette showing my new design;

FIG. 8 is a top plan view of the filter cassette of the third embodiment of FIG. 7, the bottom plan view being the same;

FIG. 9 is a right side elevational view of the filter cassette of FIG. 7, the left side view being the same;

FIG. 10 is a front elevational view of the filter cassette of FIG. 7, the rear elevational view being the same;

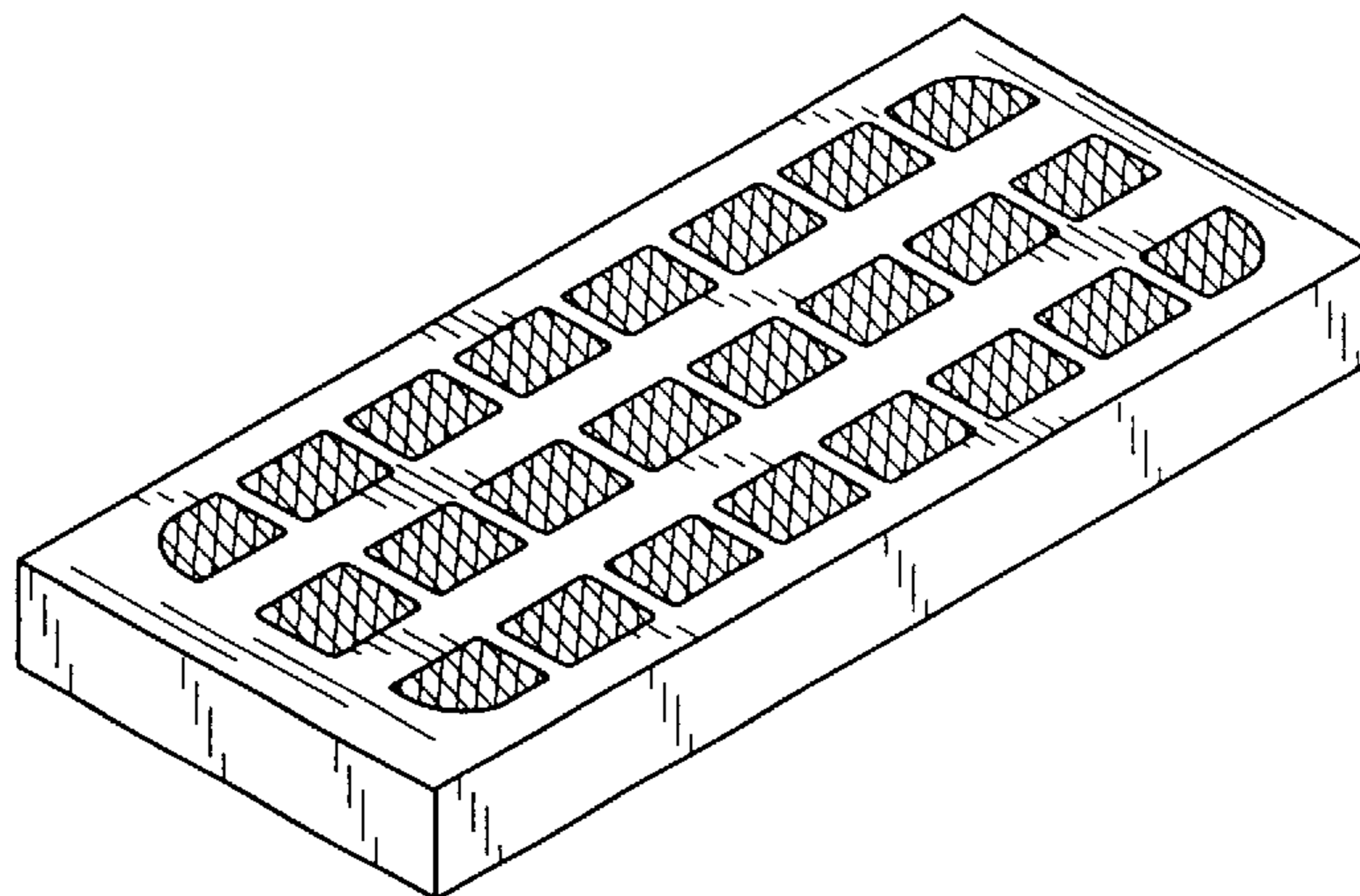
FIG. 11 is a top plan view of a blank used to form the filter cassette of the present invention, the bottom plan view being the same;

FIG. 12 is a front perspective view of a fourth embodiment of a filter cassette showing my new design, the right and left side elevational views being the same as those shown in FIG. 5 and the front and rear elevational views being the same as those shown in FIG. 6; and,

FIG. 13 is a bottom perspective view of the filter cassette of FIG. 12.

The sole difference of the second embodiment from the first embodiment resides in crease lines which are shown in solid lines in FIG. 4. The sole difference of the third embodiment from the first and second embodiments resides in the lack of netting. The sole difference of the fourth embodiment from the third embodiment resides in the larger size of the filter cassette. The broken lines in FIG. 11 represent fold lines.

1 Claim, 6 Drawing Sheets



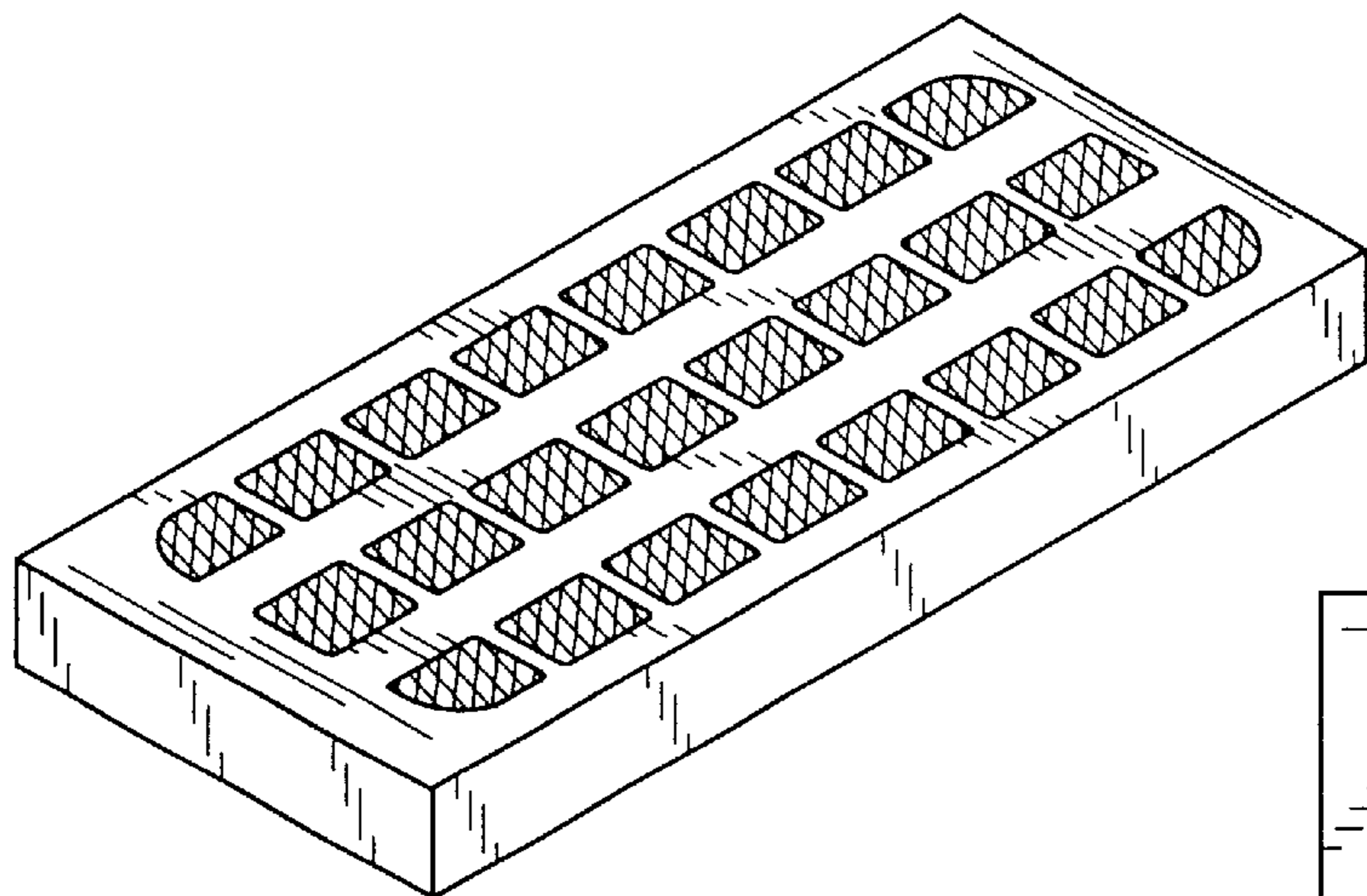


FIG. 1

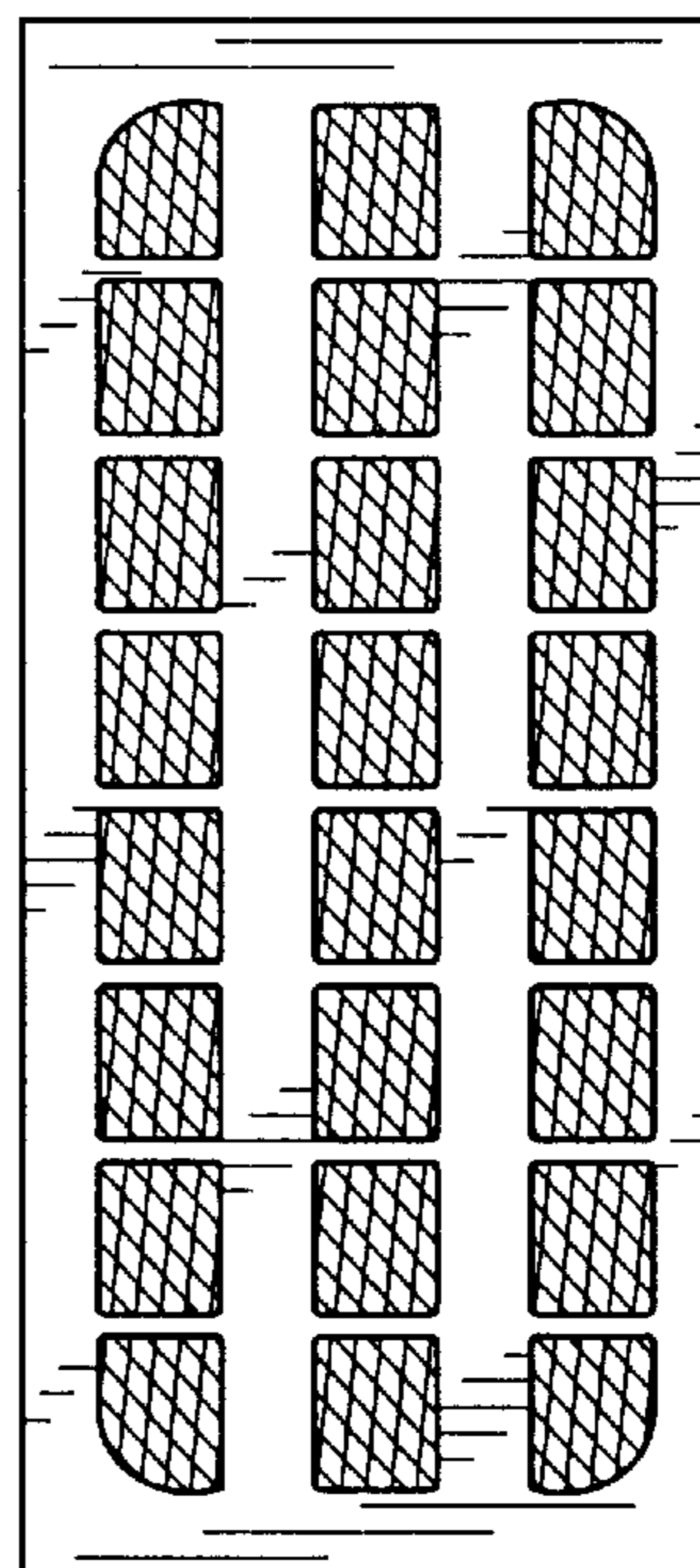


FIG. 2

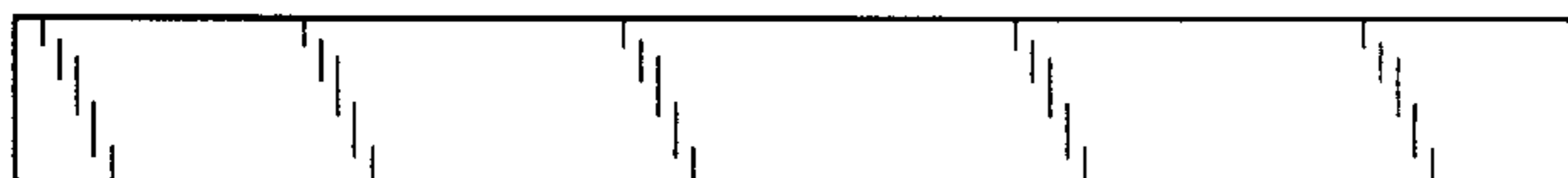


FIG. 5



FIG. 6

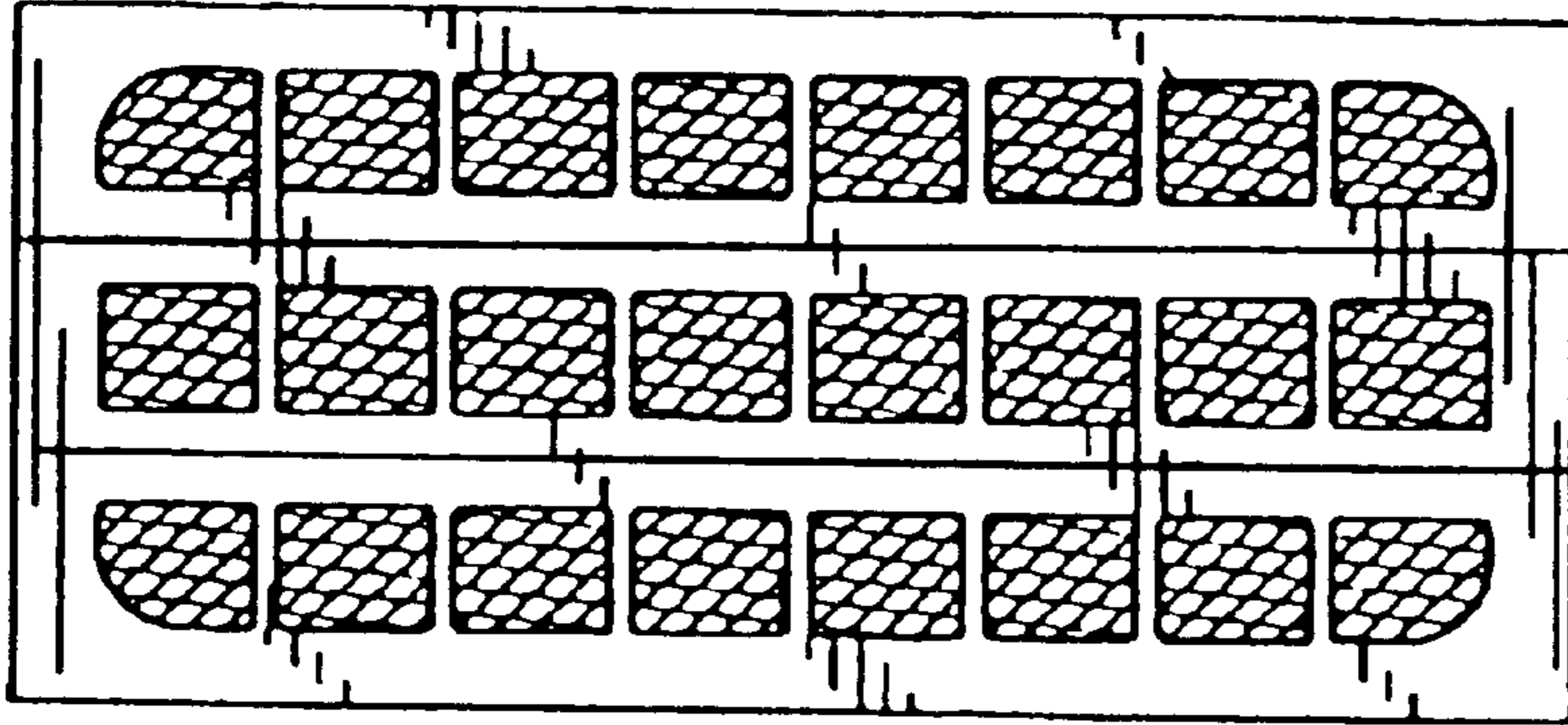


FIG. 4

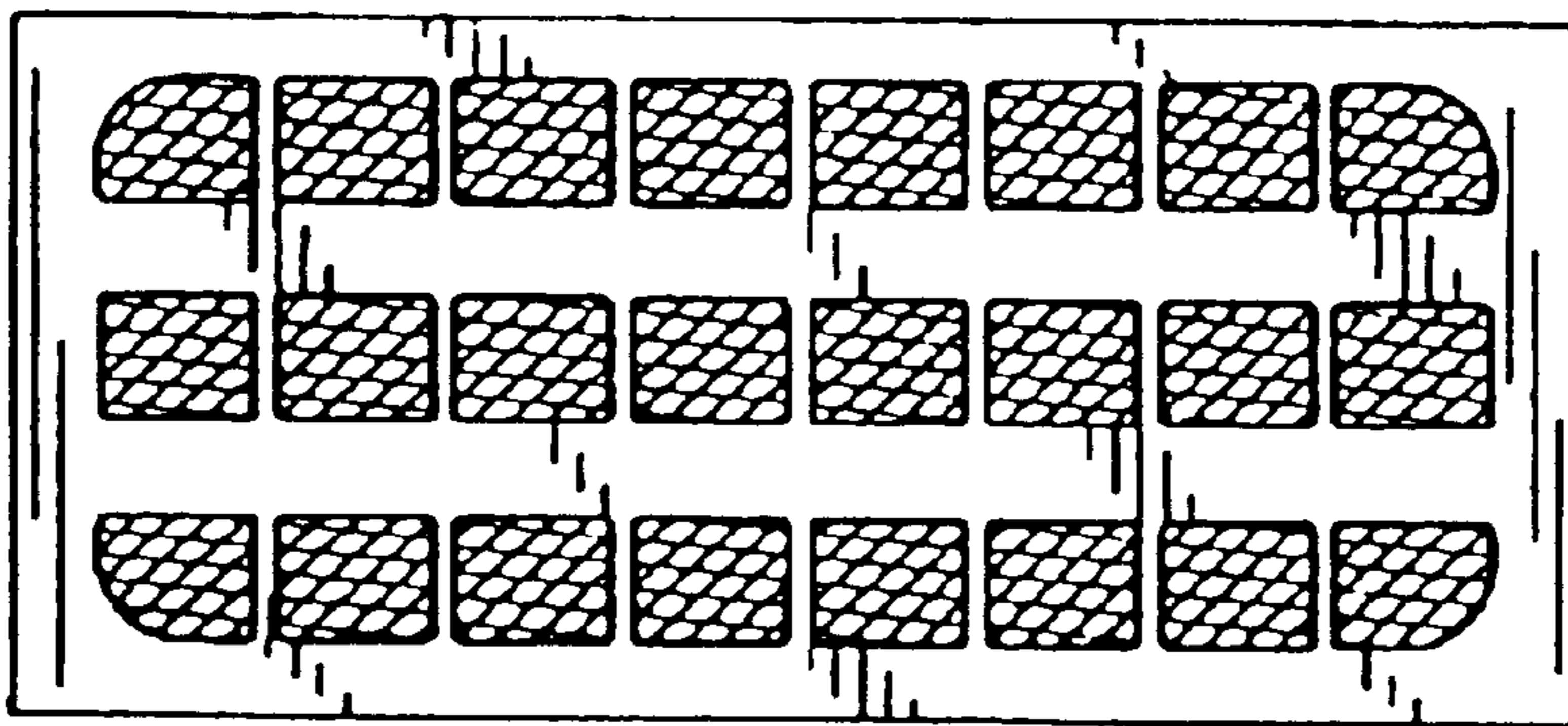


FIG. 3

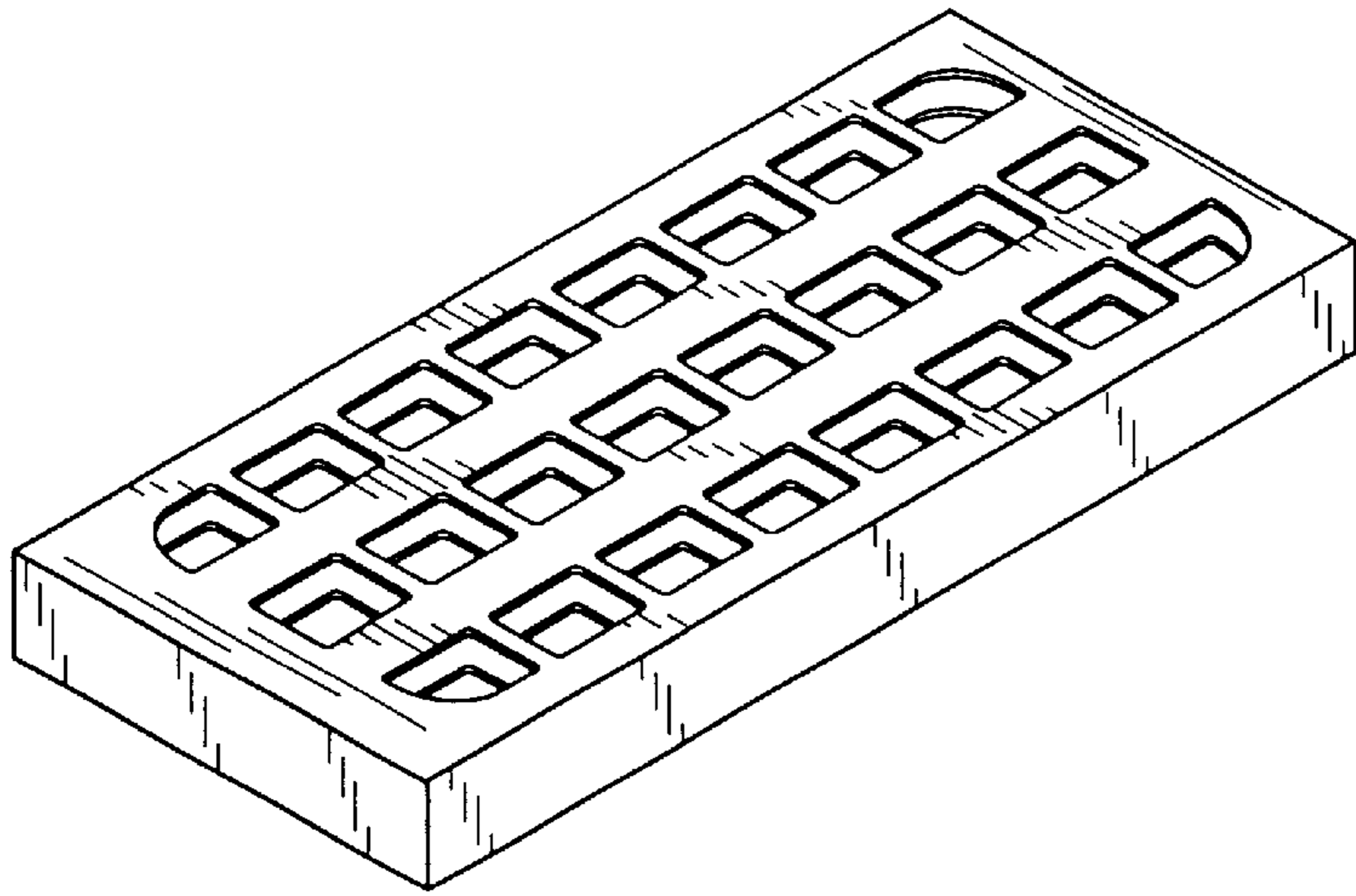


FIG. 7

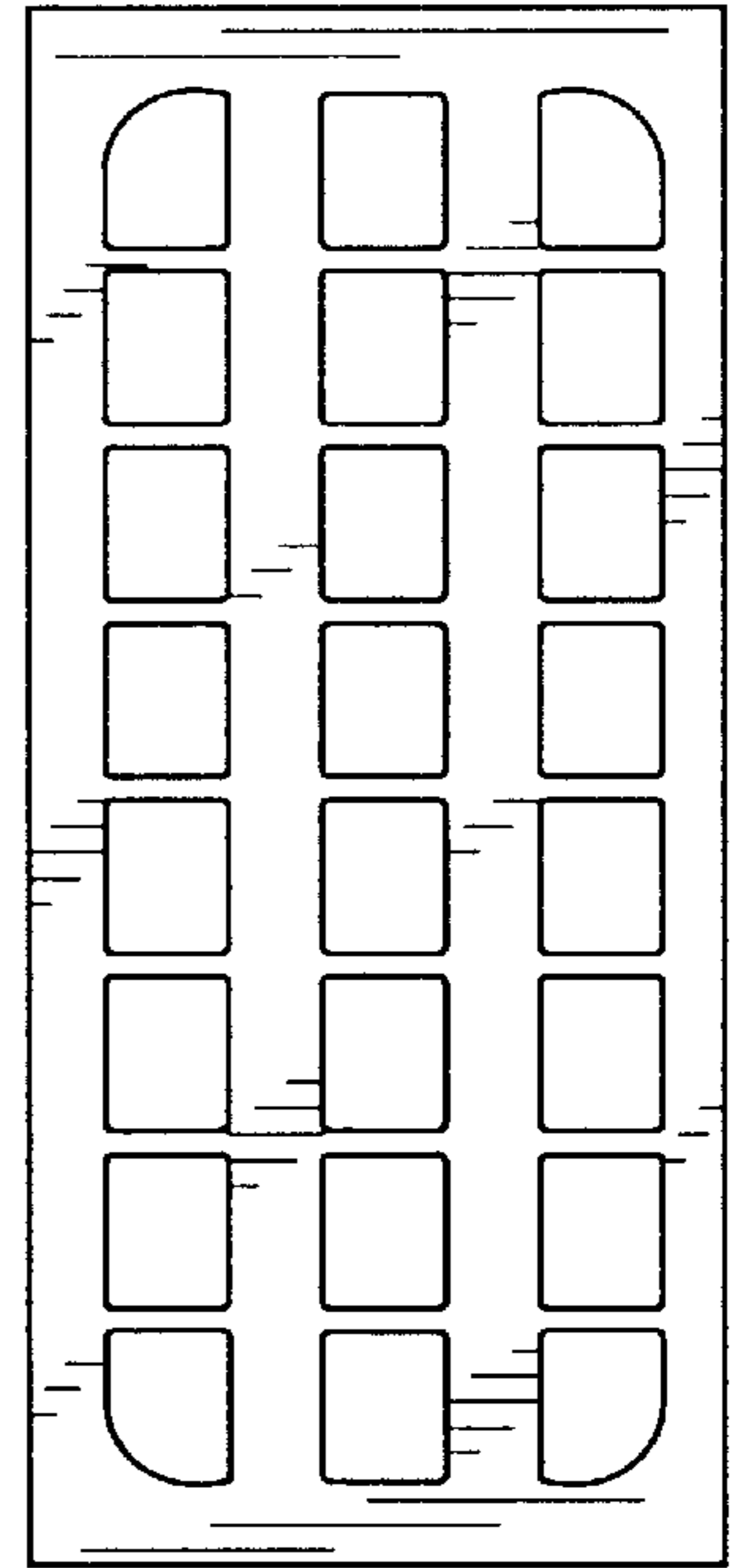


FIG. 8

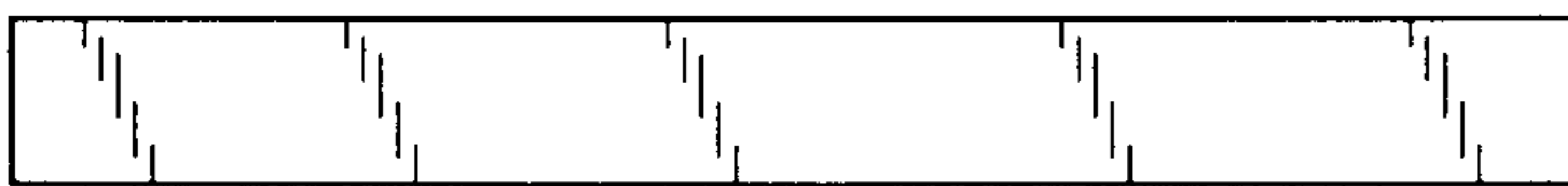


FIG. 9

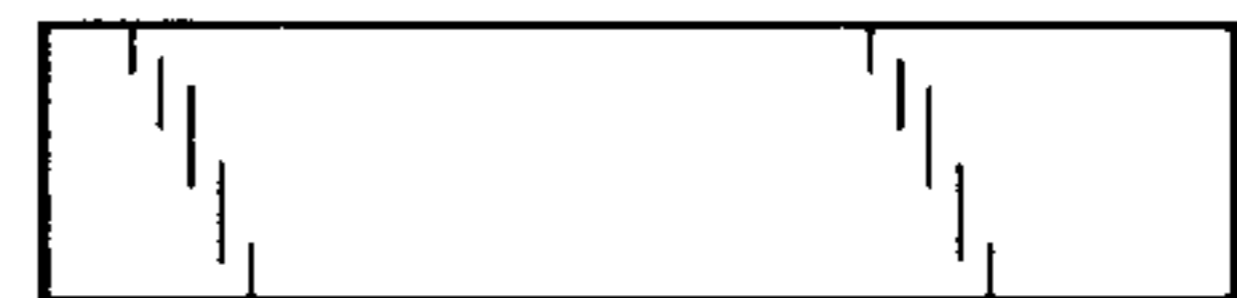


FIG. 10

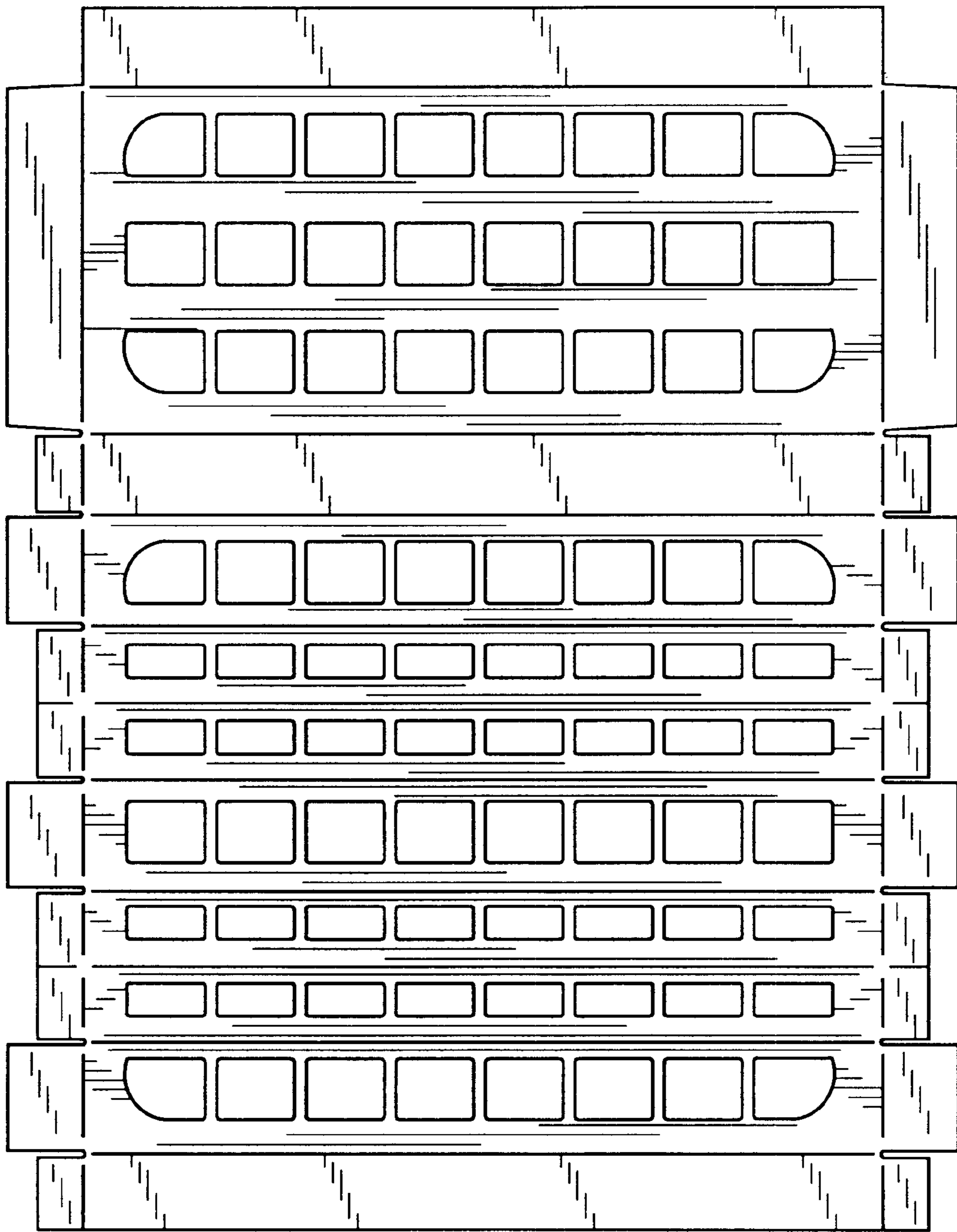


FIG. 11

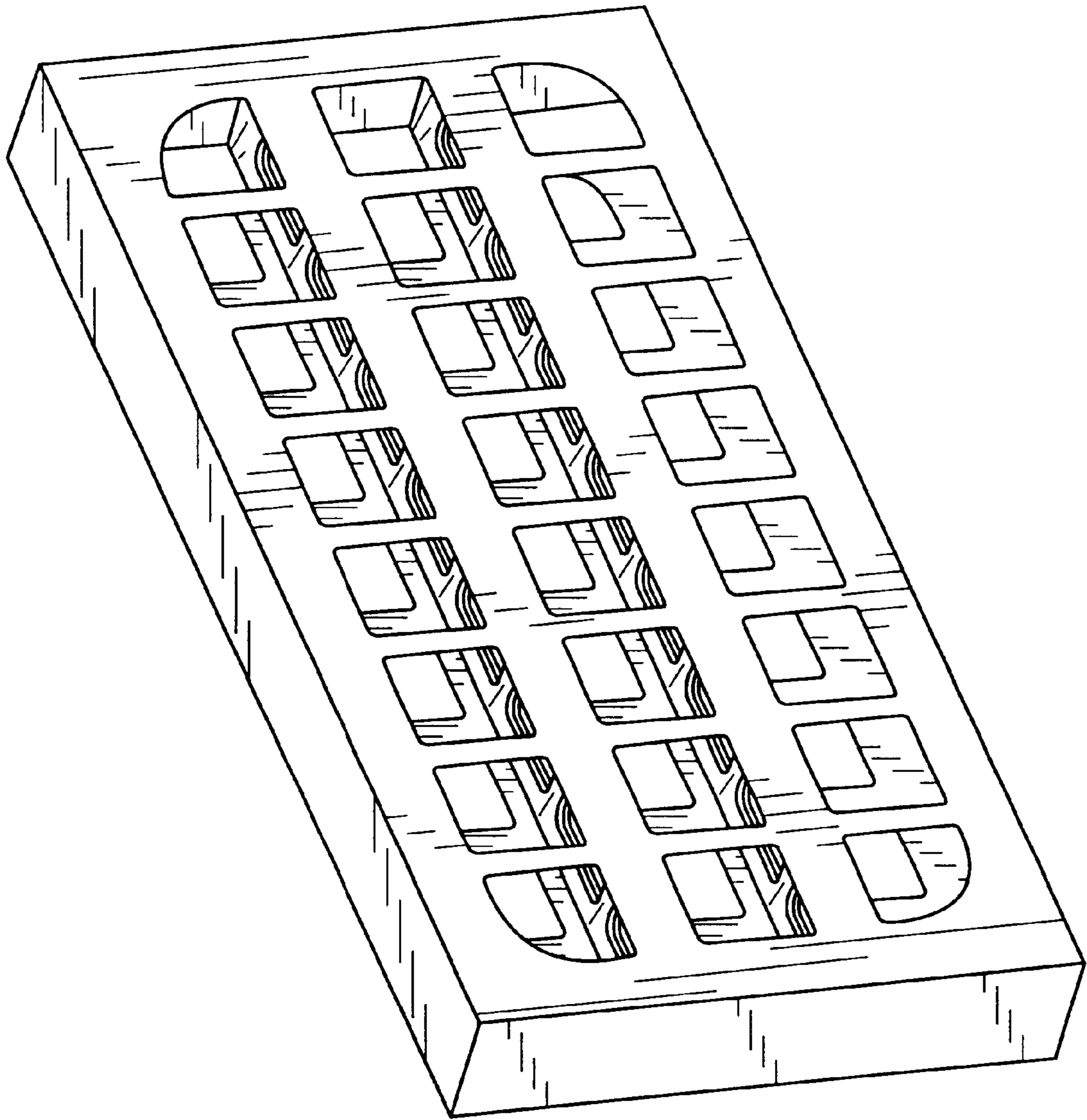


FIG. 12

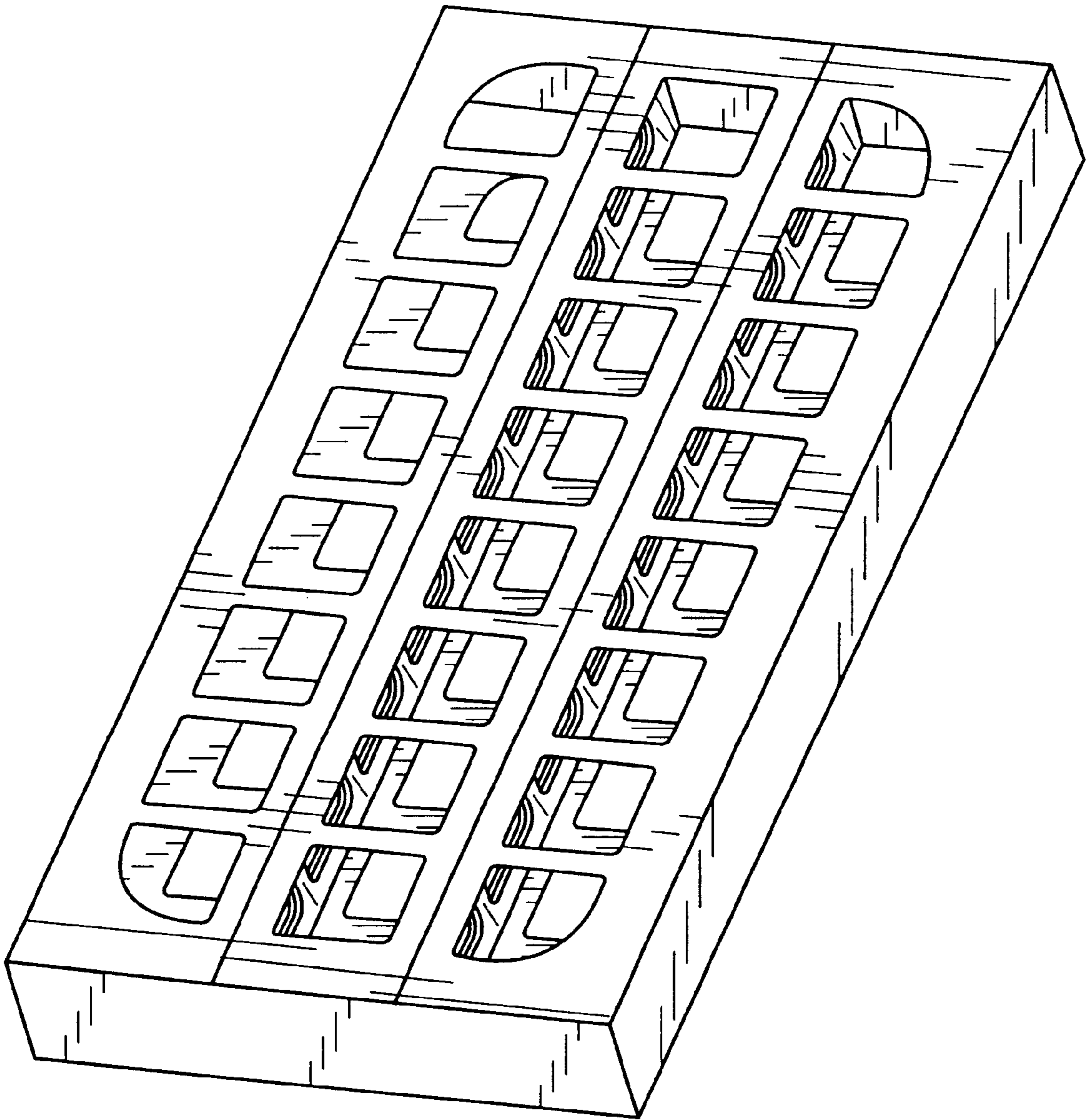


FIG. 13