



US00D449876B1

(12) **United States Design Patent**
Takagi et al.

(10) **Patent No.:** **US D449,876 S**

(45) **Date of Patent:** **** Oct. 30, 2001**

(54) **AIR CONDITIONER**

(75) Inventors: **Shigeki Takagi**, Shiga (JP); **Yeo Chaen Choon**, Johor (MY)

(73) Assignee: **Matsushita Electric Industrial Co., Ltd.**, Osaka (JP)

(**) Term: **14 Years**

(21) Appl. No.: **29/122,003**

(22) Filed: **Apr. 17, 2000**

(30) **Foreign Application Priority Data**

Oct. 18, 1999 (MY) 99-00063

(51) **LOC (7) Cl.** **23-04**

(52) **U.S. Cl.** **D23/353**

(58) **Field of Search** D23/351-354,
D23/333; 312/236; 62/259.1, 262, 263;
454/201-204, 349-51, 354, 330-332

(56) **References Cited**

U.S. PATENT DOCUMENTS

D. 379,499 * 5/1997 Yamada D23/353

D. 392,729 * 3/1998 Choi D23/351
D. 395,148 * 6/1998 Choi D23/353
D. 414,853 * 10/1999 Hyon D23/353
6,155,065 * 12/2000 Da Silva 62/262

* cited by examiner

Primary Examiner—B. J. Bullock

(74) *Attorney, Agent, or Firm*—Christensen O'Connor Johnson Kindness PLLC

(57) **CLAIM**

The ornamental design for an air conditioner, as shown and described.

DESCRIPTION

FIG. 1 is a perspective view of the top, front and right side of an air conditioner showing our new design;
FIG. 2 is a front view thereof;
FIG. 3 is a rear view thereof;
FIG. 4 is a right side view thereof;
FIG. 5 is a left side view thereof;
FIG. 6 is a top plan view thereof; and,
FIG. 7 is a bottom view thereof.

1 Claim, 5 Drawing Sheets

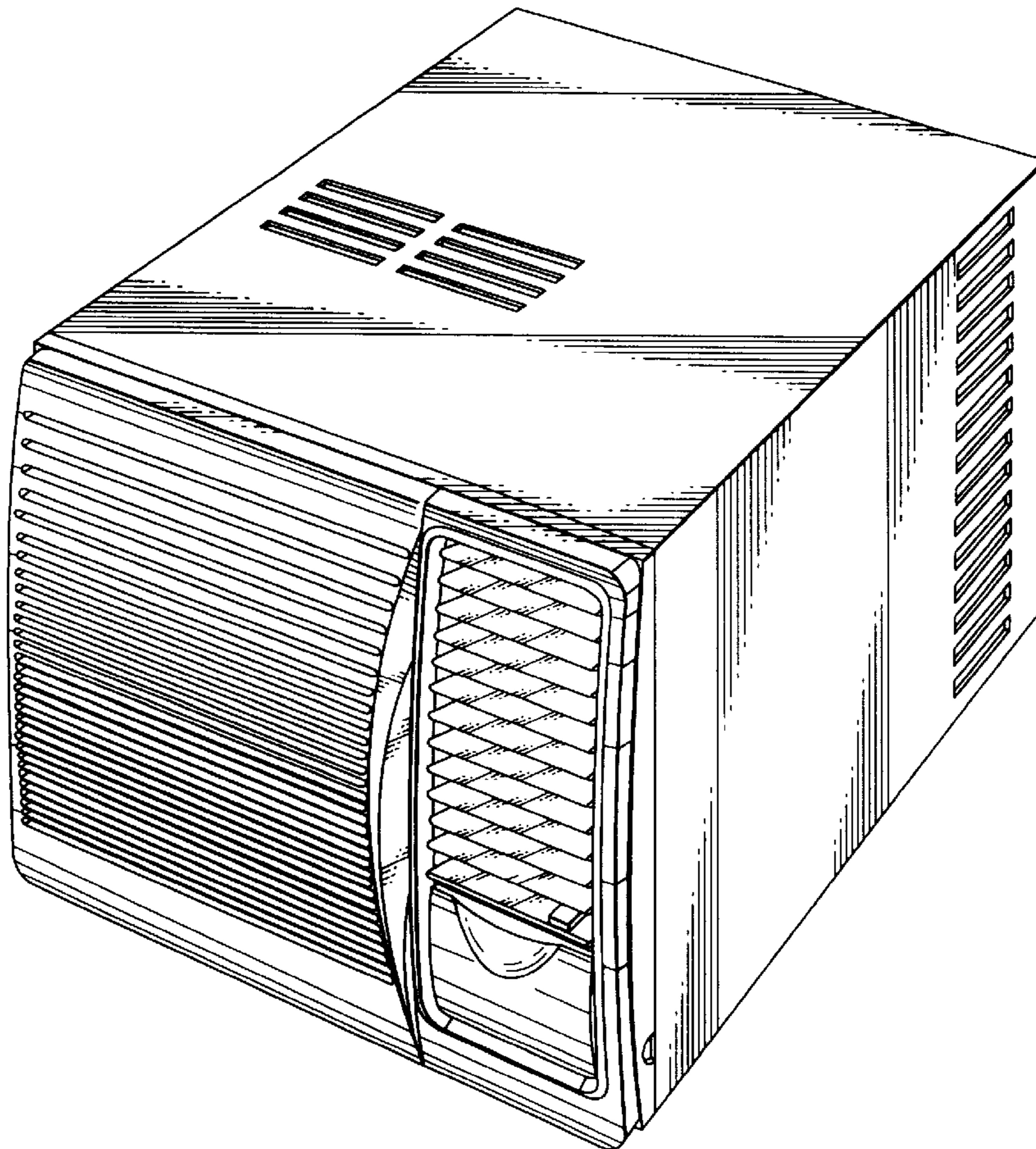


Fig. 1

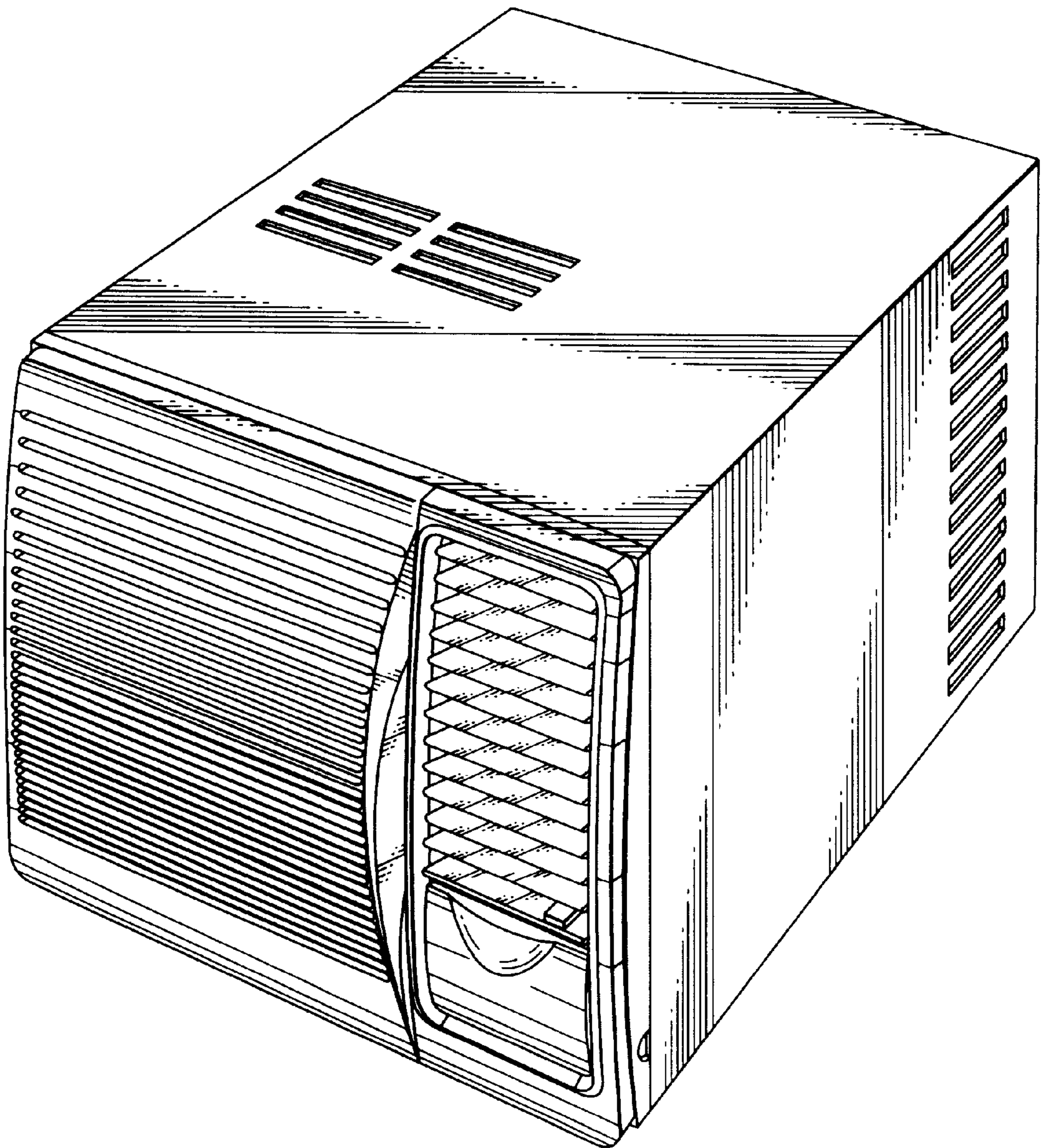


Fig. 2

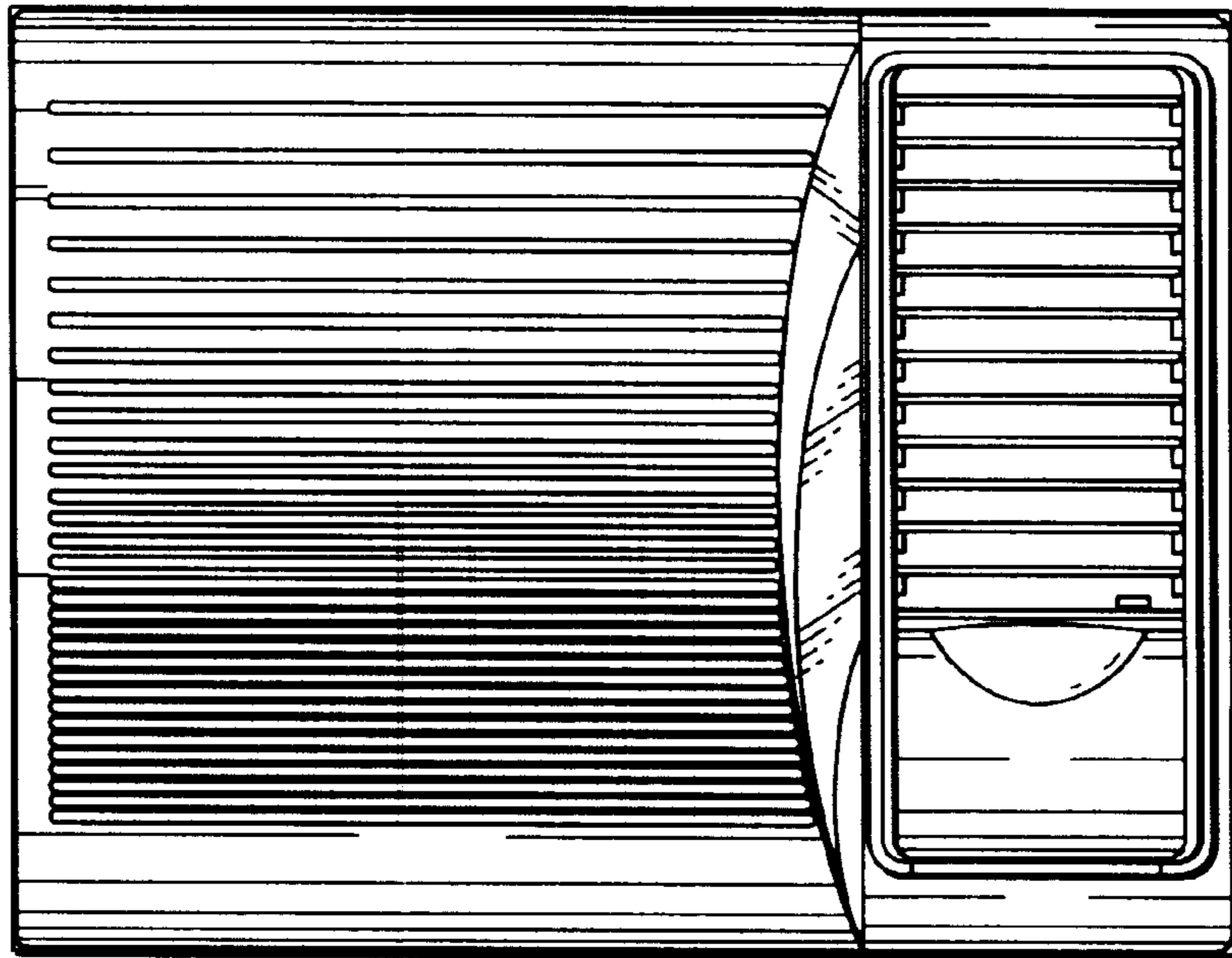


Fig. 3

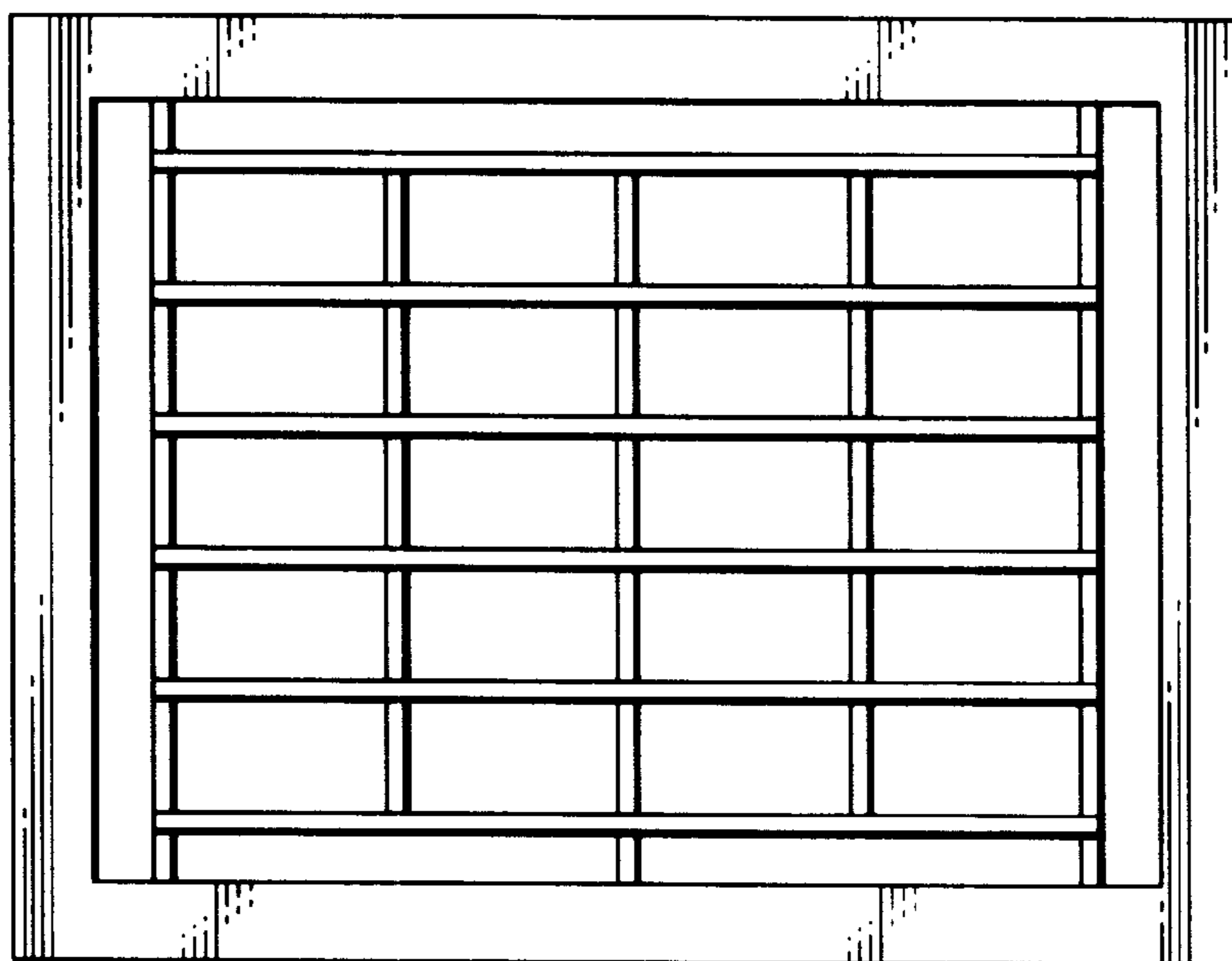


Fig. 4

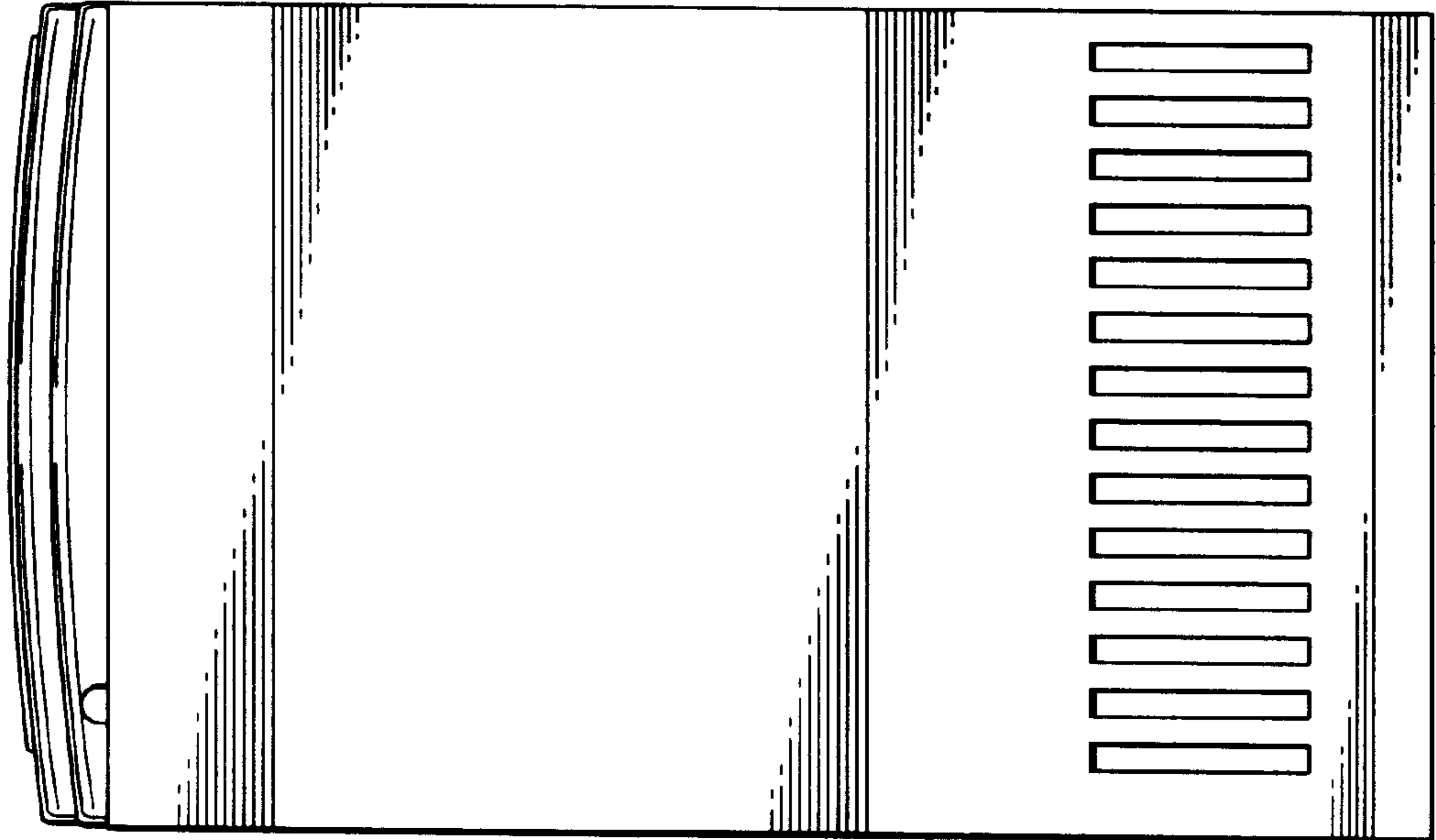


Fig. 5

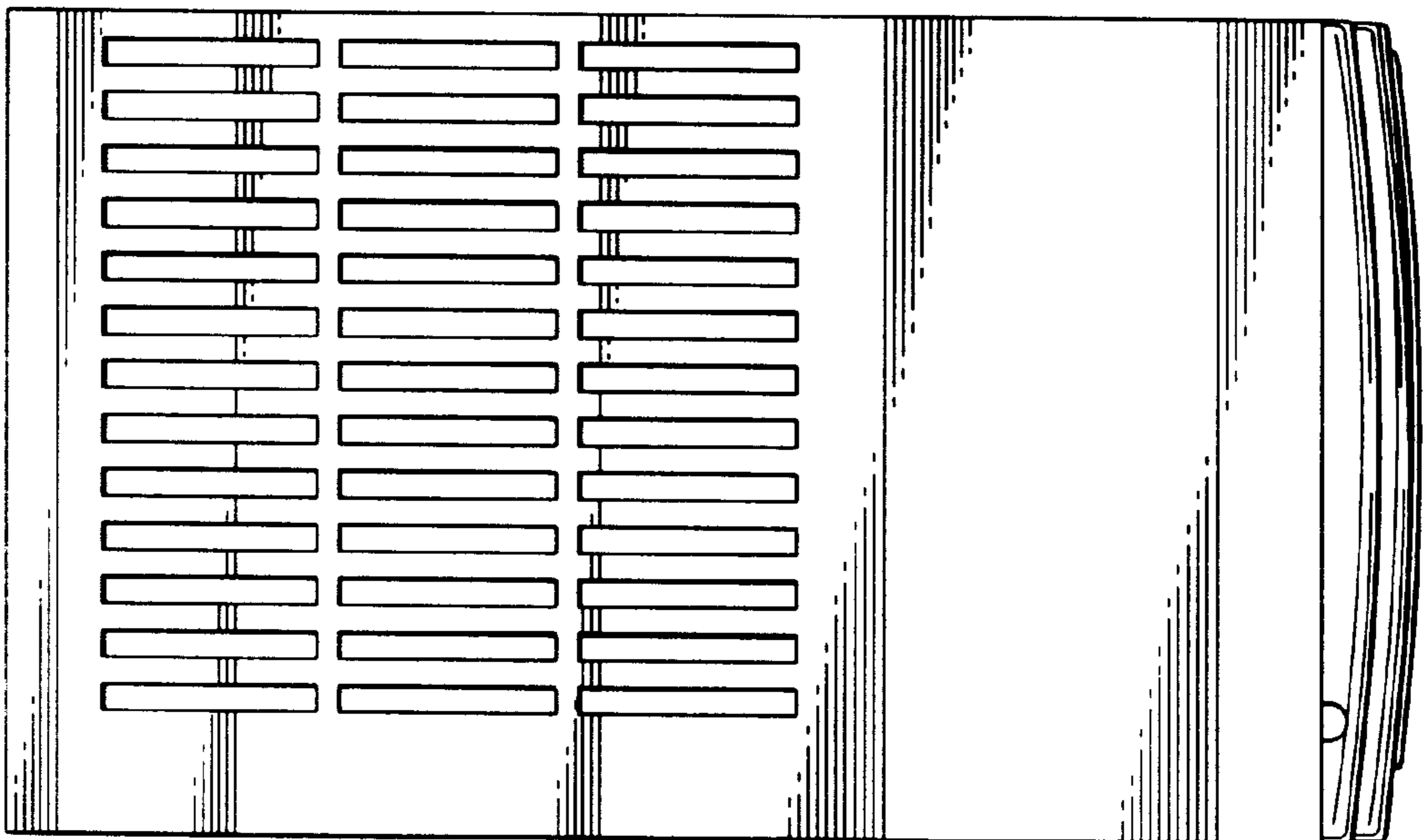


Fig. 6

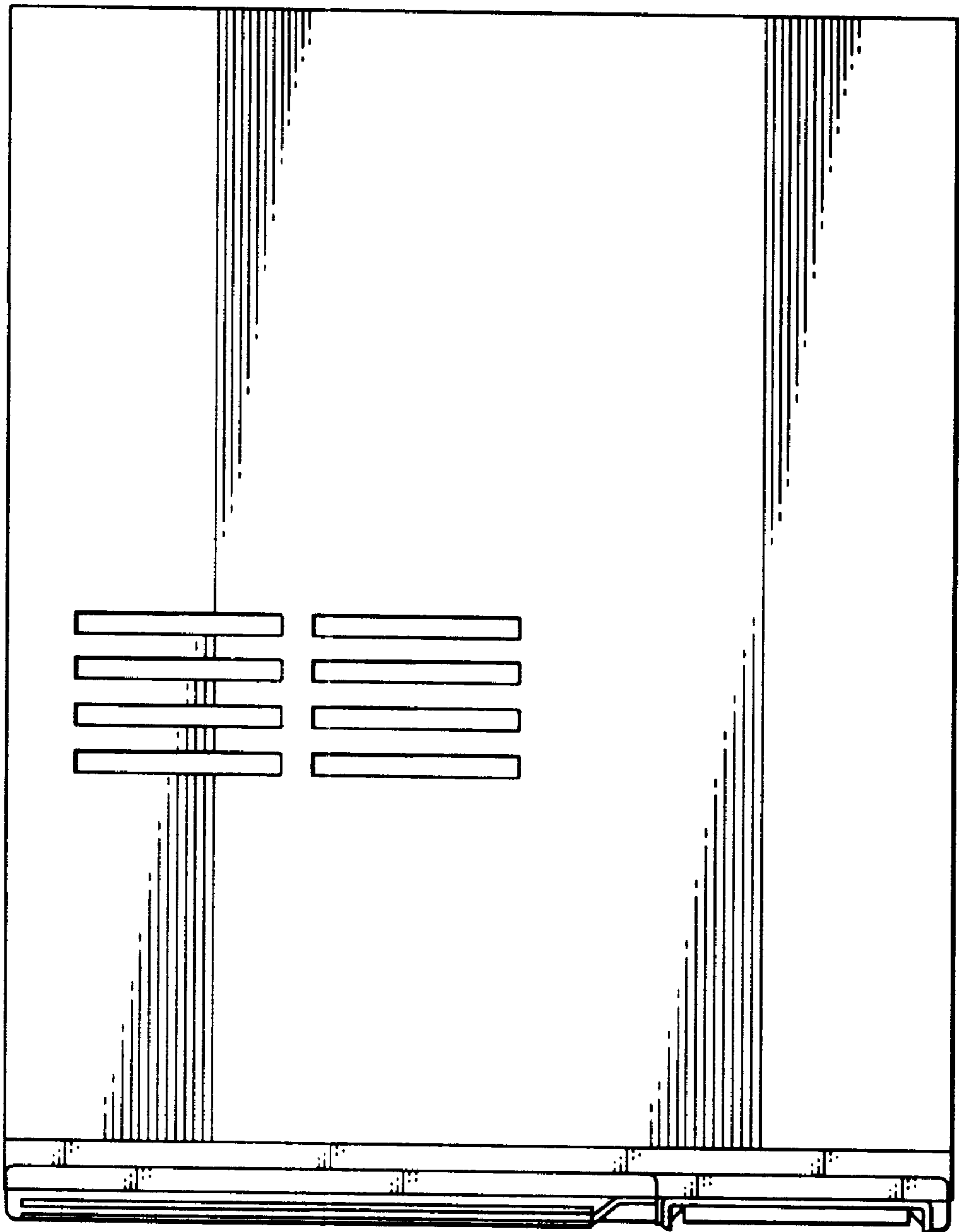


Fig. 7

