



US00D449875B1

(12) **United States Design Patent**  
**Fludd-Robinson et al.**

(10) **Patent No.:** **US D449,875 S**

(45) **Date of Patent:** **\*\* Oct. 30, 2001**

(54) **COMBINATION SINK COVER AND CUTTING BOARD**

(76) Inventors: **Lavada Fludd-Robinson; Leon Robinson**, both of 1222 Pericles Pl., #6, Whitehall, PA (US) 18052

(\*\*) Term: **14 Years**

(21) Appl. No.: **29/119,682**

(22) Filed: **Mar. 6, 2000**

(51) **LOC (7) Cl.** ..... **23-02**

(52) **U.S. Cl.** ..... **D23/308; D23/287**

(58) **Field of Search** ..... **D23/270-274, D23/284-287, 290-291, 303, 308; 4/619, 630-632, 637-640, 656, 660**

(56) **References Cited**

**U.S. PATENT DOCUMENTS**

898,536	*	9/1908	West	.....	4/637
914,120	*	3/1909	Demarest	.....	4/638
1,641,061	*	8/1927	Yound	.....	4/656
4,162,545	*	7/1979	Hallen	.....	4/630 X
4,305,166	*	12/1981	Rose	.....	4/631
4,456,021	*	6/1984	Leavens	.....	4/630 X

\* cited by examiner

*Primary Examiner*—Doris Clark

*Assistant Examiner*—Robert A. Delehanty

(74) *Attorney, Agent, or Firm*—Sanford J. Piltch

(57) **CLAIM**

We claim the ornamental design for a combination sink cover and cutting board, as shown and described.

**DESCRIPTION**

The article is intended for use in cutting and slicing over the open space of a recessed kitchen sink of either single or double width with drain holes at the lower-most portion of downwardly sloped opposing cutting surfaces.

FIG. 1 is a perspective view of a double width combination sink cover and cutting board of our new design.

FIG. 2 is a top view thereof.

FIG. 3 is a front view thereof.

FIG. 4 is a right side view thereof.

FIG. 5 is a bottom view thereof.

FIG. 6 is a perspective view of a single width combination sink cover and cutting board of our new design.

FIG. 7 is a top view thereof.

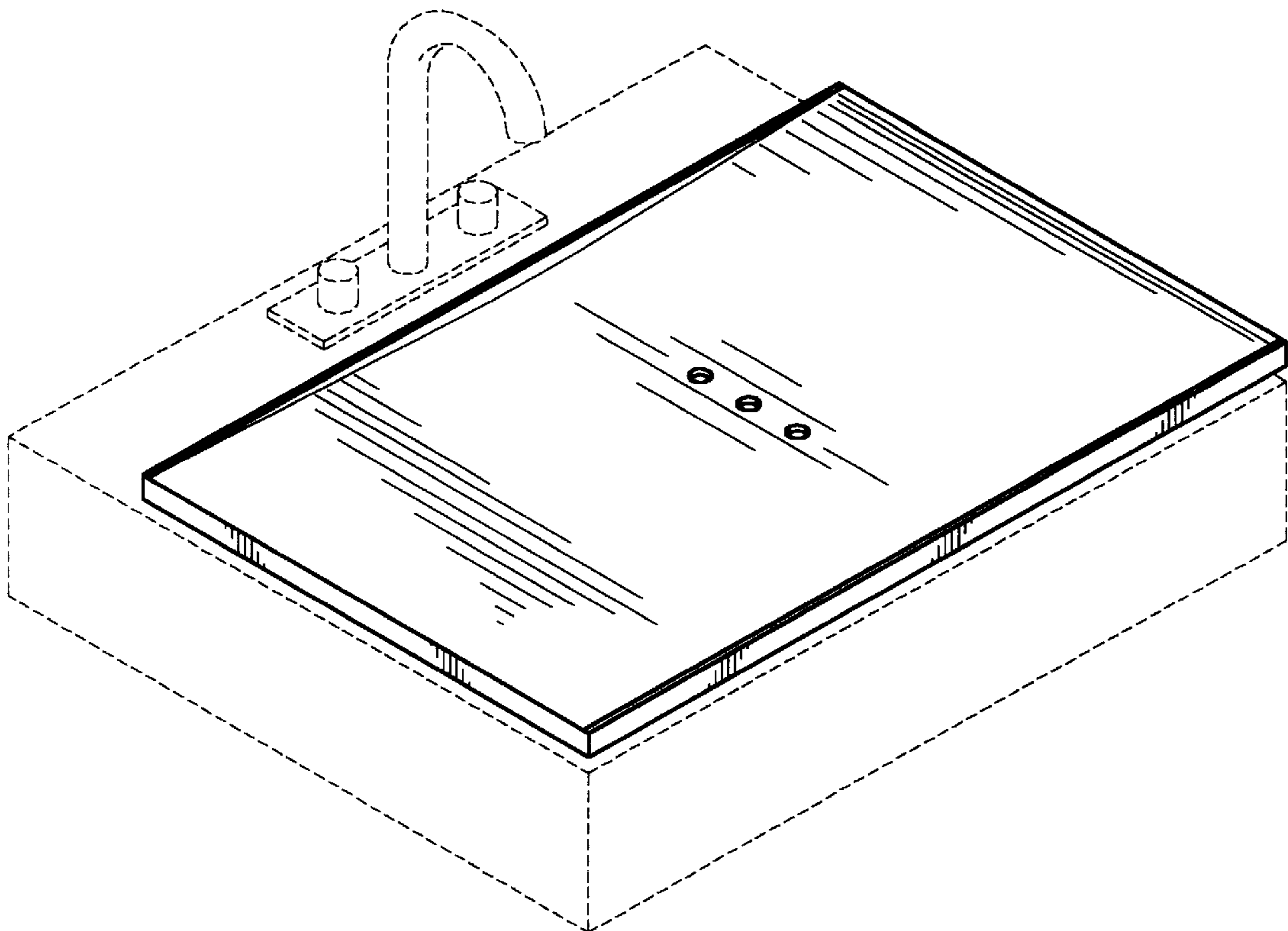
FIG. 8 is a front view thereof.

FIG. 9 is a right side view thereof; and,

FIG. 10 is a bottom view thereof.

The broken line showing of a sink and faucet is for illustrative purposes only and forms no part of the claimed design.

**1 Claim, 6 Drawing Sheets**



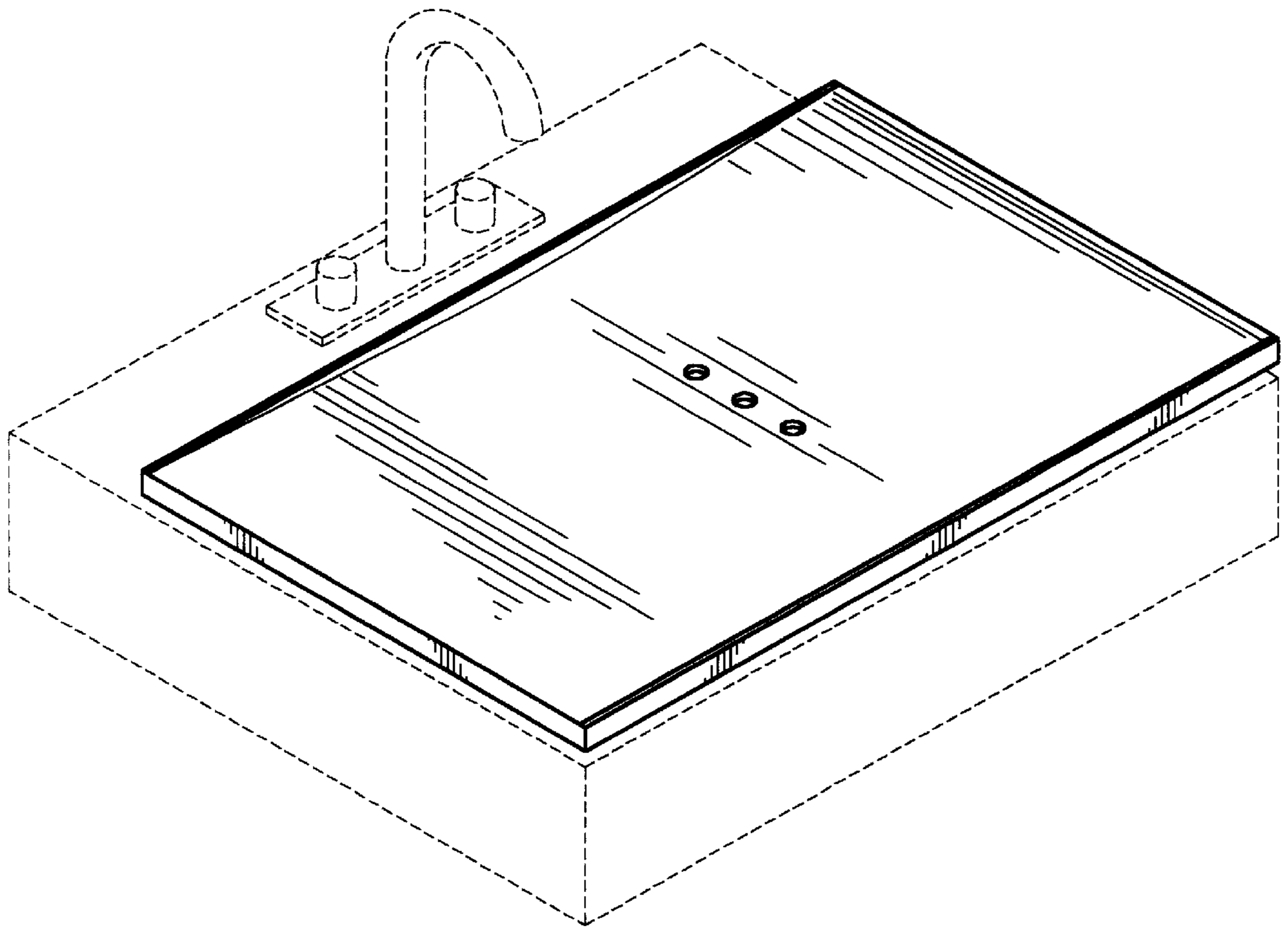


Fig. 1

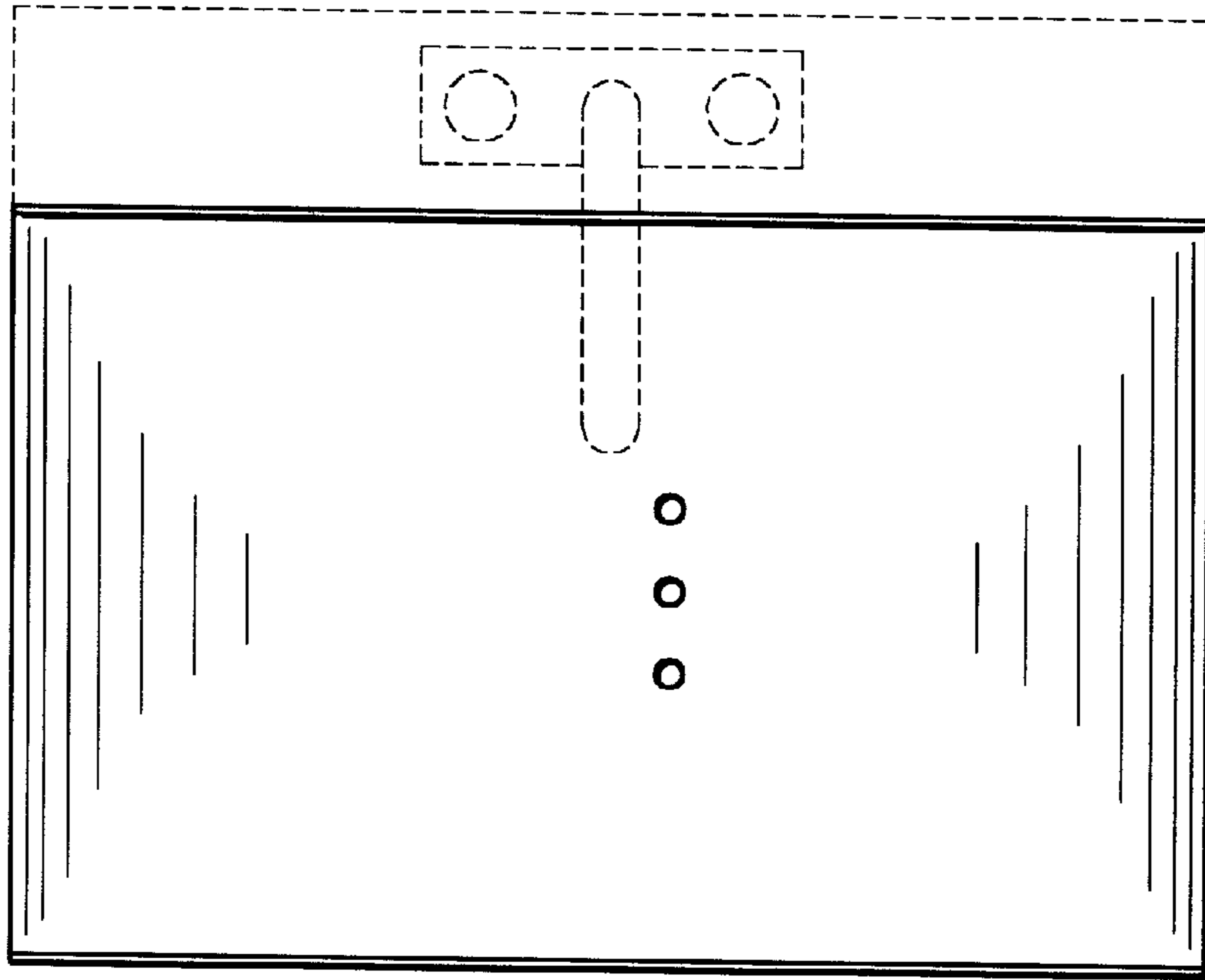


Fig. 2

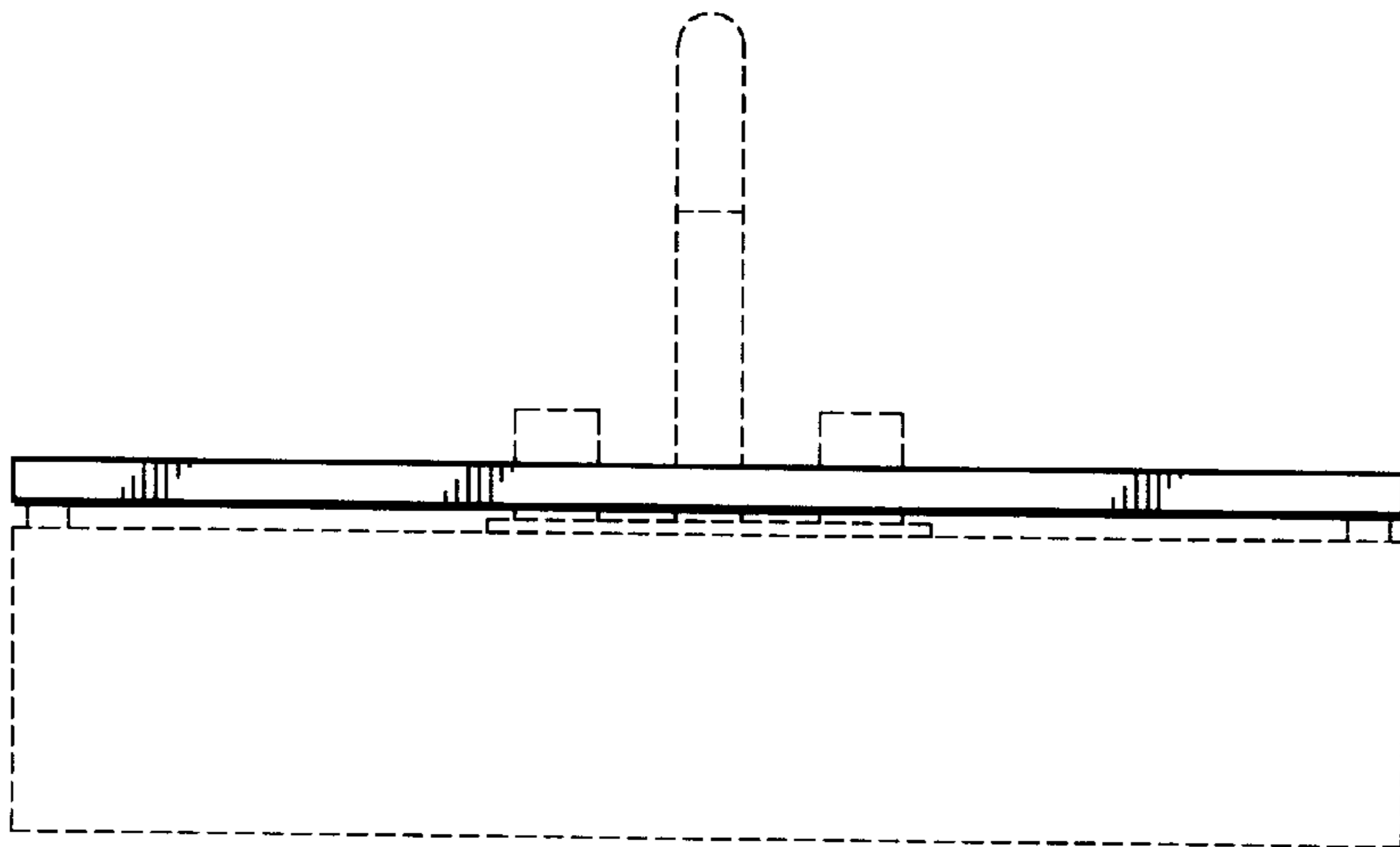


Fig. 3

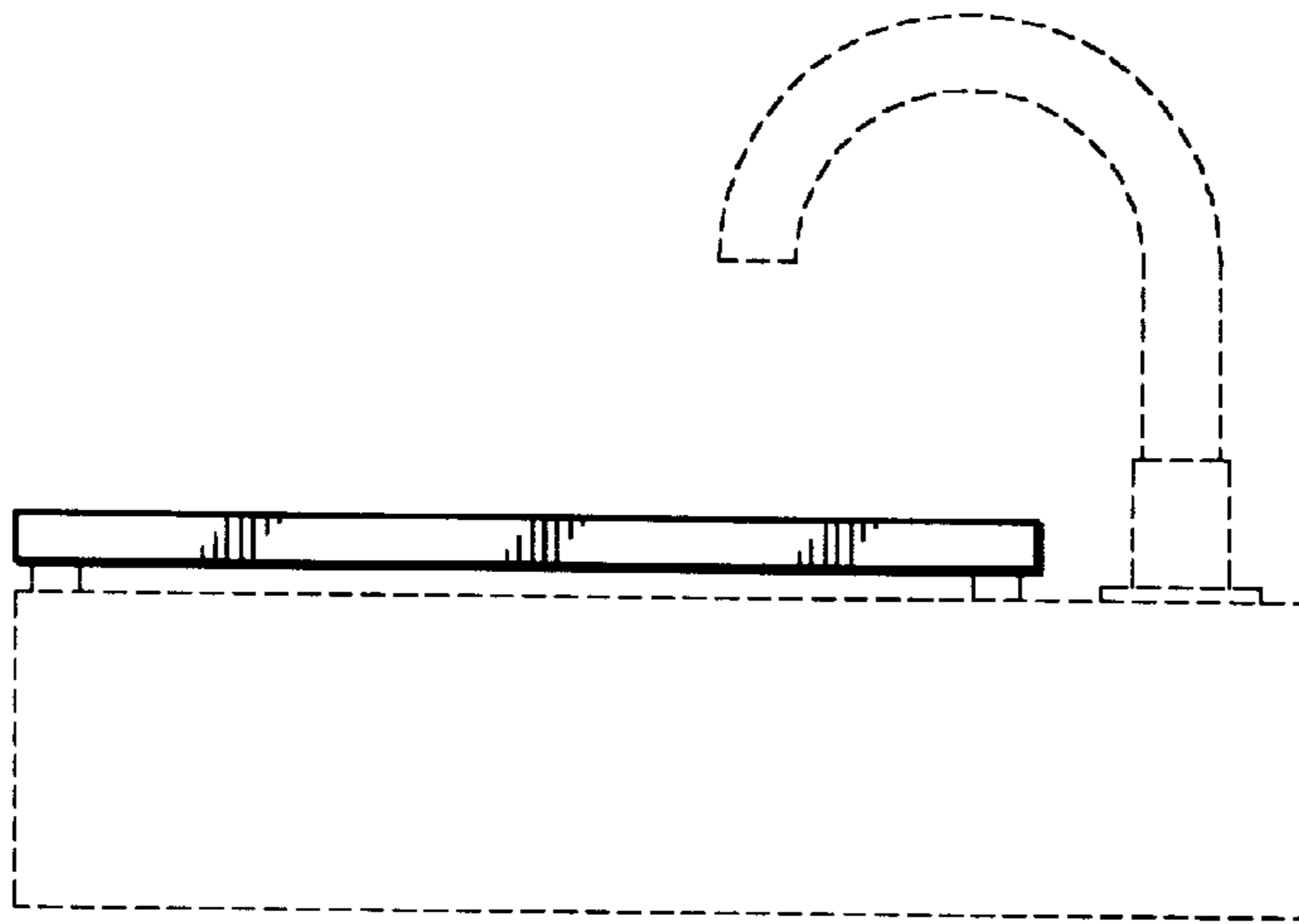


Fig. 4

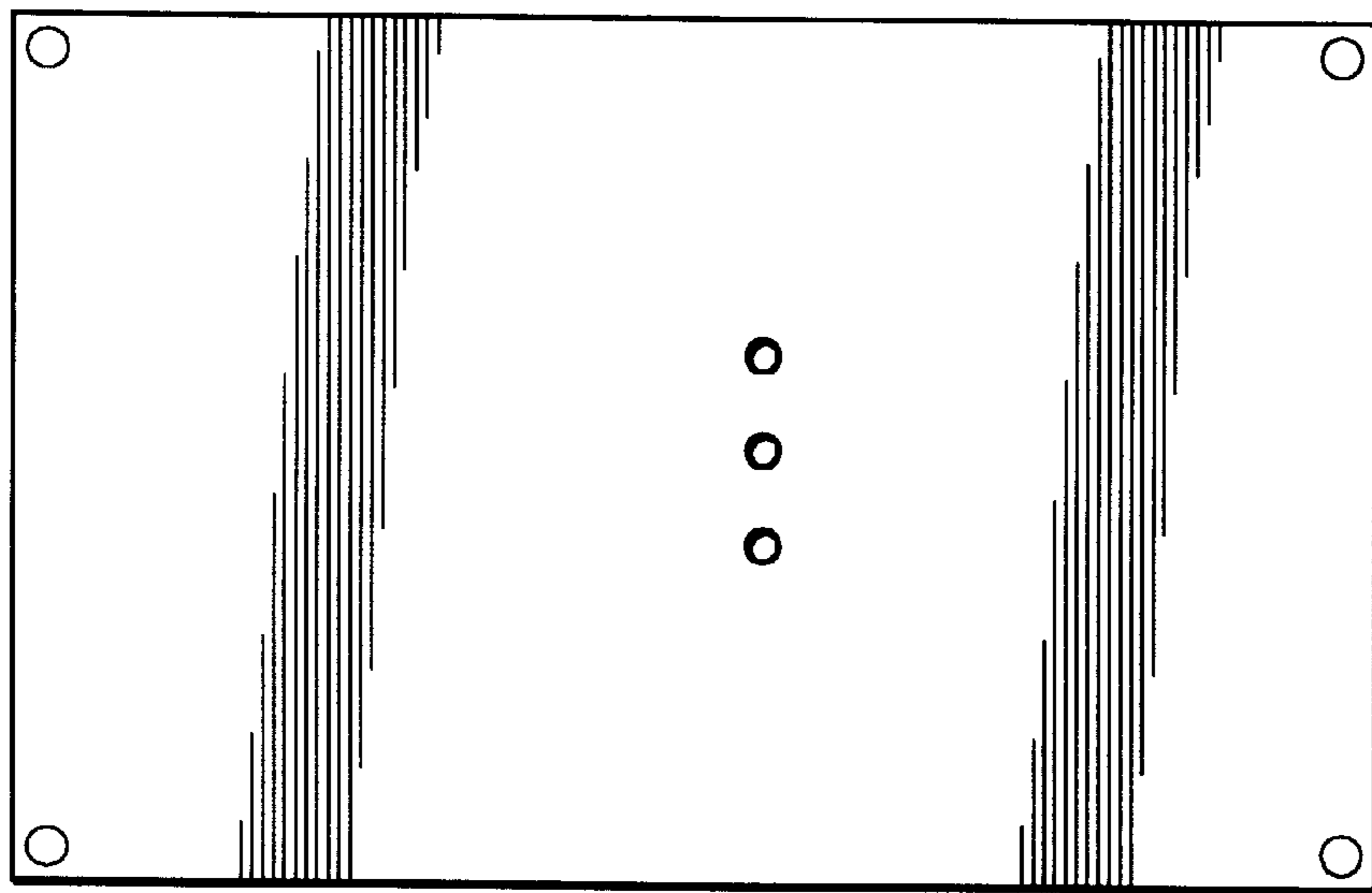


Fig. 5

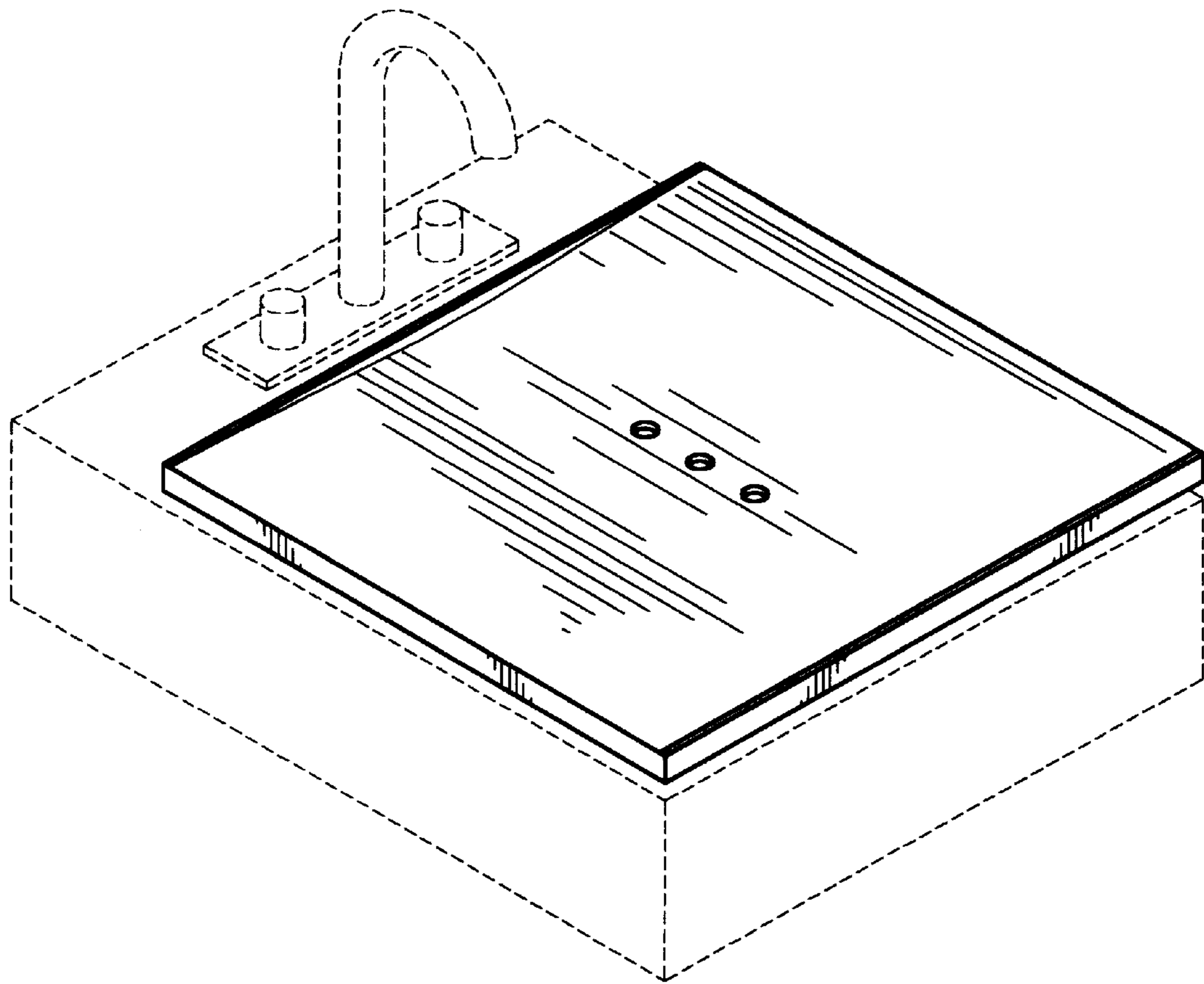


Fig. 6

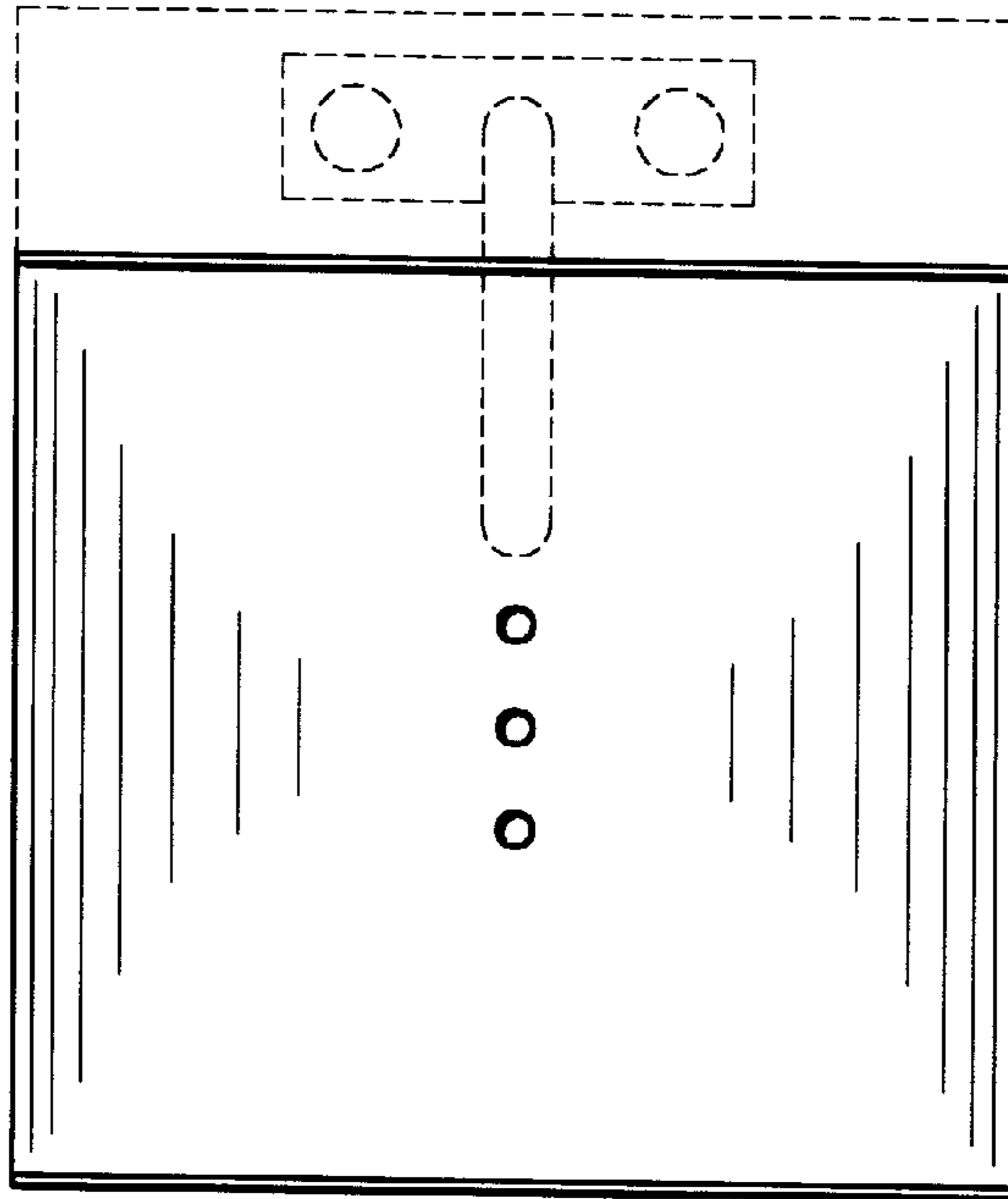


Fig. 7

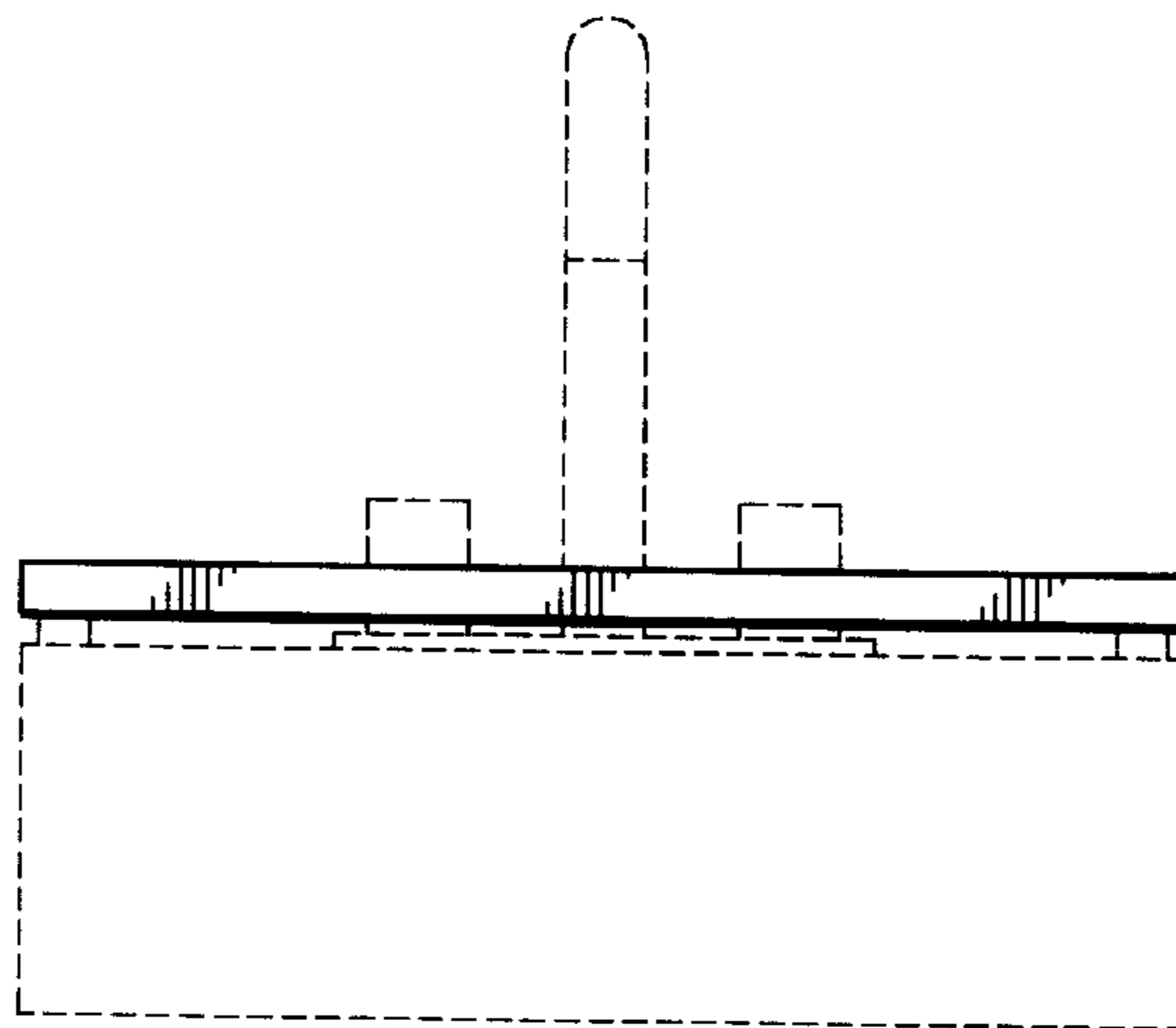


Fig. 8

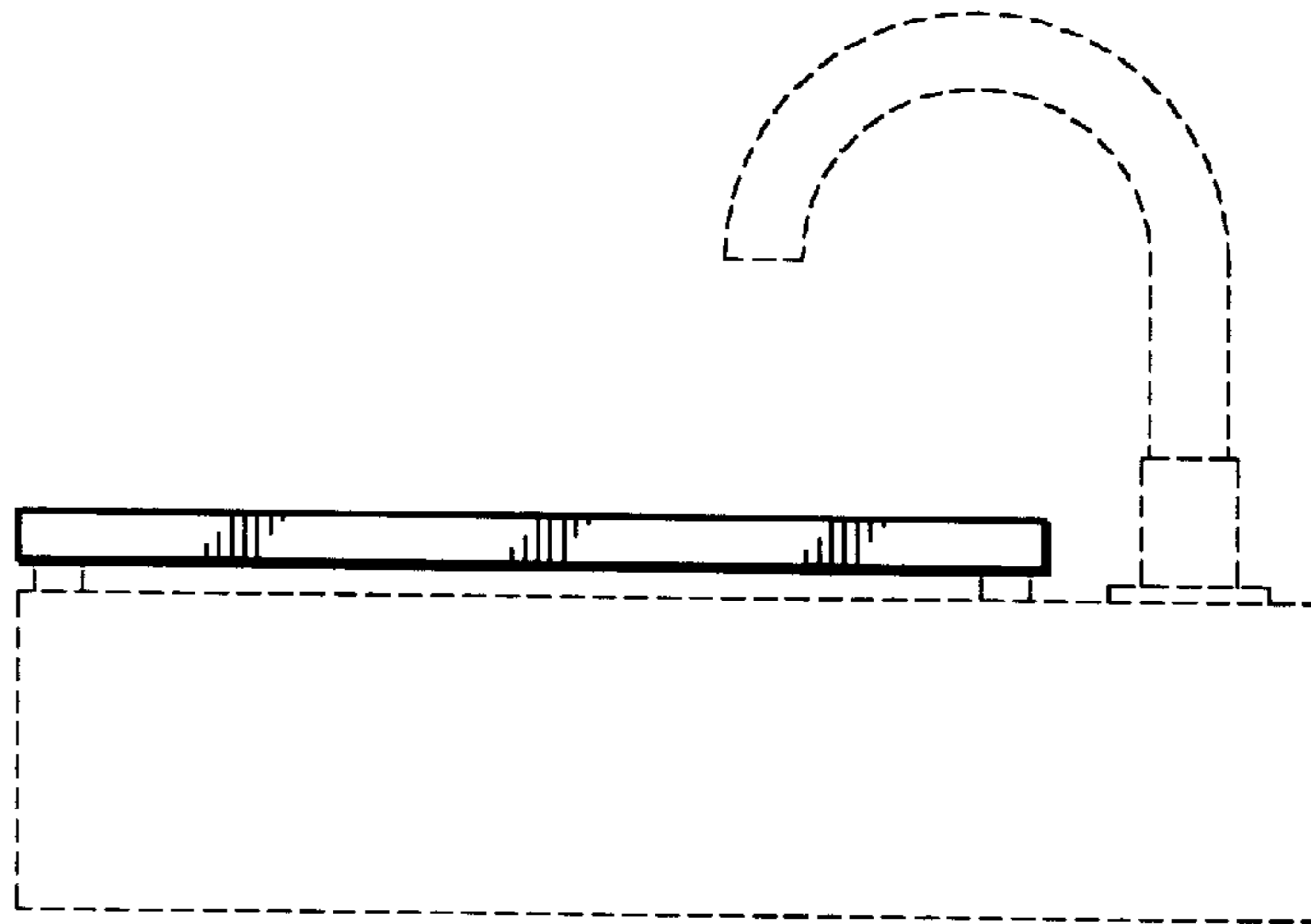


Fig. 9

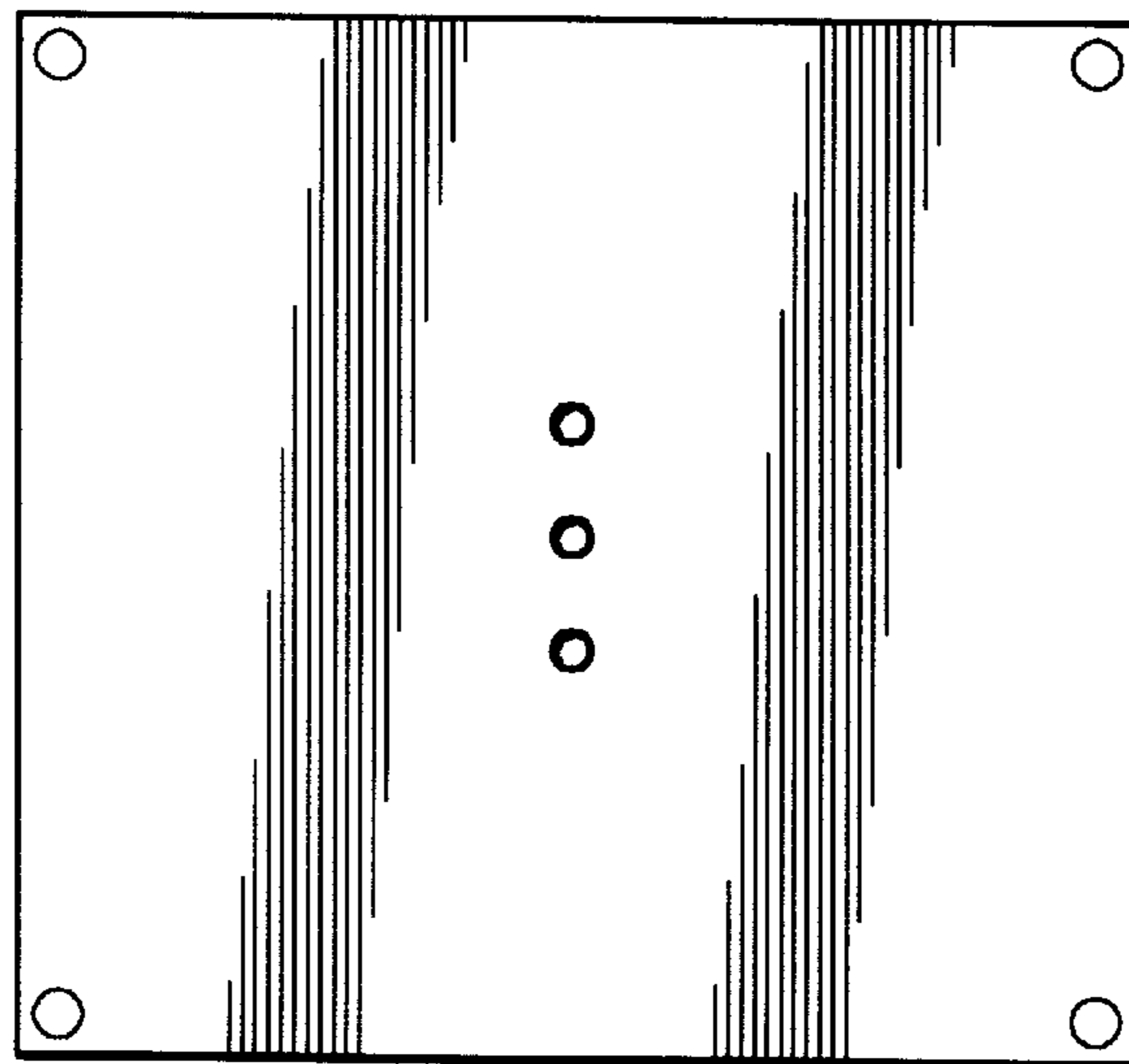


Fig. 10