



US00D449873B1

(12) **United States Design Patent**  
**Bronson**

(10) **Patent No.:** **US D449,873 S**

(45) **Date of Patent:** **\*\* Oct. 30, 2001**

(54) **GARBAGE DISPOSAL STRAINER AND  
SPLASH GUARD**

D. 385,017 \* 10/1997 Daroff ..... D23/261  
6,108,828 \* 8/2000 Cheng ..... 4/287

(76) Inventor: **James Bronson**, 46-293 Willow La.,  
Indio, CA (US) 92201

\* cited by examiner

(\*\*) Term: **14 Years**

*Primary Examiner*—Robin V. Taylor

(74) *Attorney, Agent, or Firm*—Goldstein Law Offices P.C.

(21) Appl. No.: **29/129,861**

(57) **CLAIM**

(22) Filed: **Sep. 22, 2000**

The ornamental design for a garbage disposal strainer and splash guard, as shown and described.

(51) **LOC (7) Cl.** ..... **23-01**

**DESCRIPTION**

(52) **U.S. Cl.** ..... **D23/261**

(58) **Field of Search** ..... D23/261; 4/286–287,  
4/290, 292–293, 679

FIG. 1 is a perspective view of a garbage disposal strainer and splash guard.

FIG. 2 is a front elevational view thereof, the rear, left side, and right side elevational views being mirror images of the front view.

(56) **References Cited**

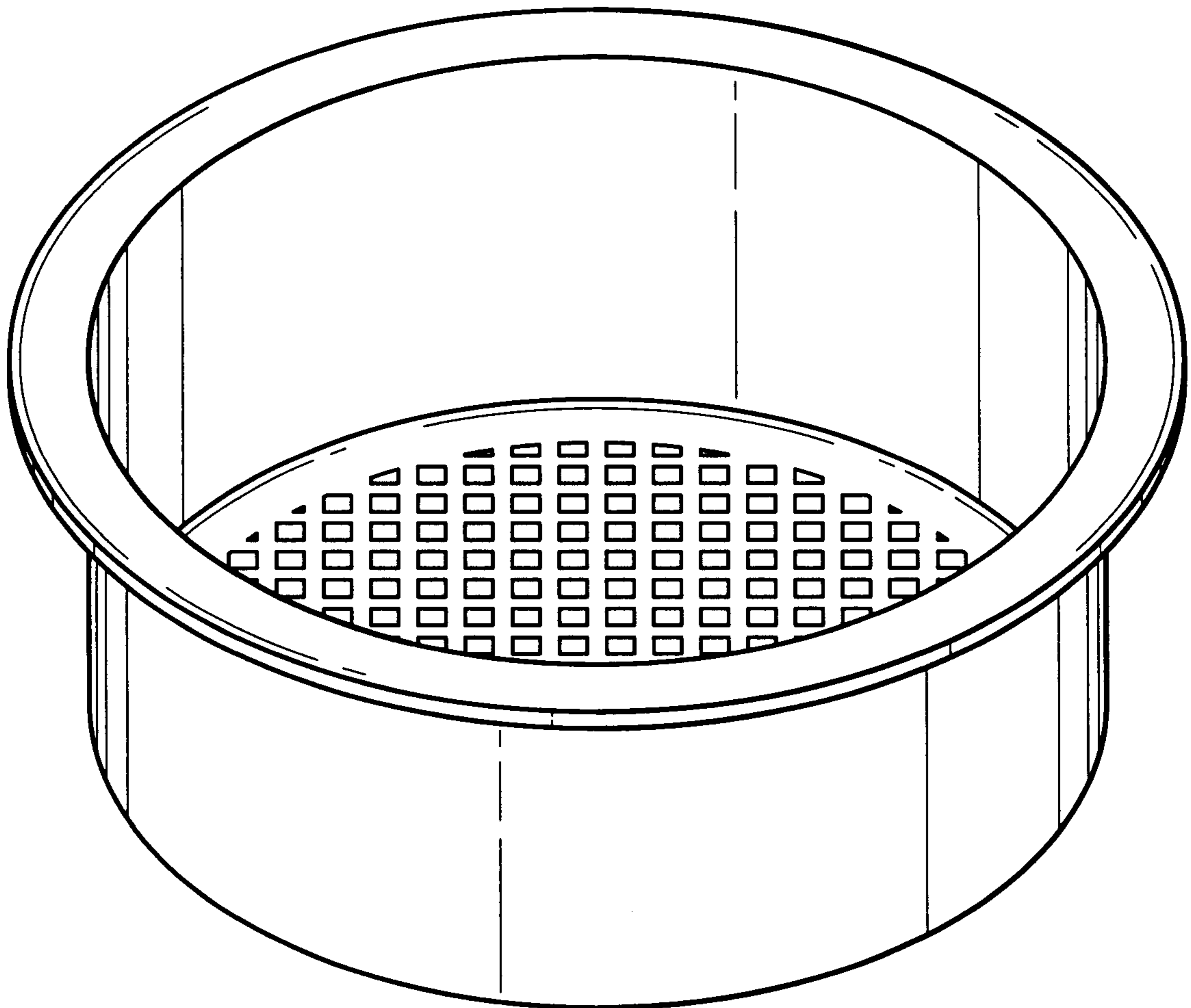
**U.S. PATENT DOCUMENTS**

D. 266,963 \* 11/1982 Sherman ..... D23/261  
D. 354,795 \* 1/1995 Heligman ..... D23/209  
D. 360,929 \* 8/1995 Albertson ..... D23/209  
D. 380,527 \* 7/1997 Velez ..... D23/261

FIG. 3 is a top plan view thereof; and,

FIG. 4 is a bottom plan view thereof.

**1 Claim, 2 Drawing Sheets**



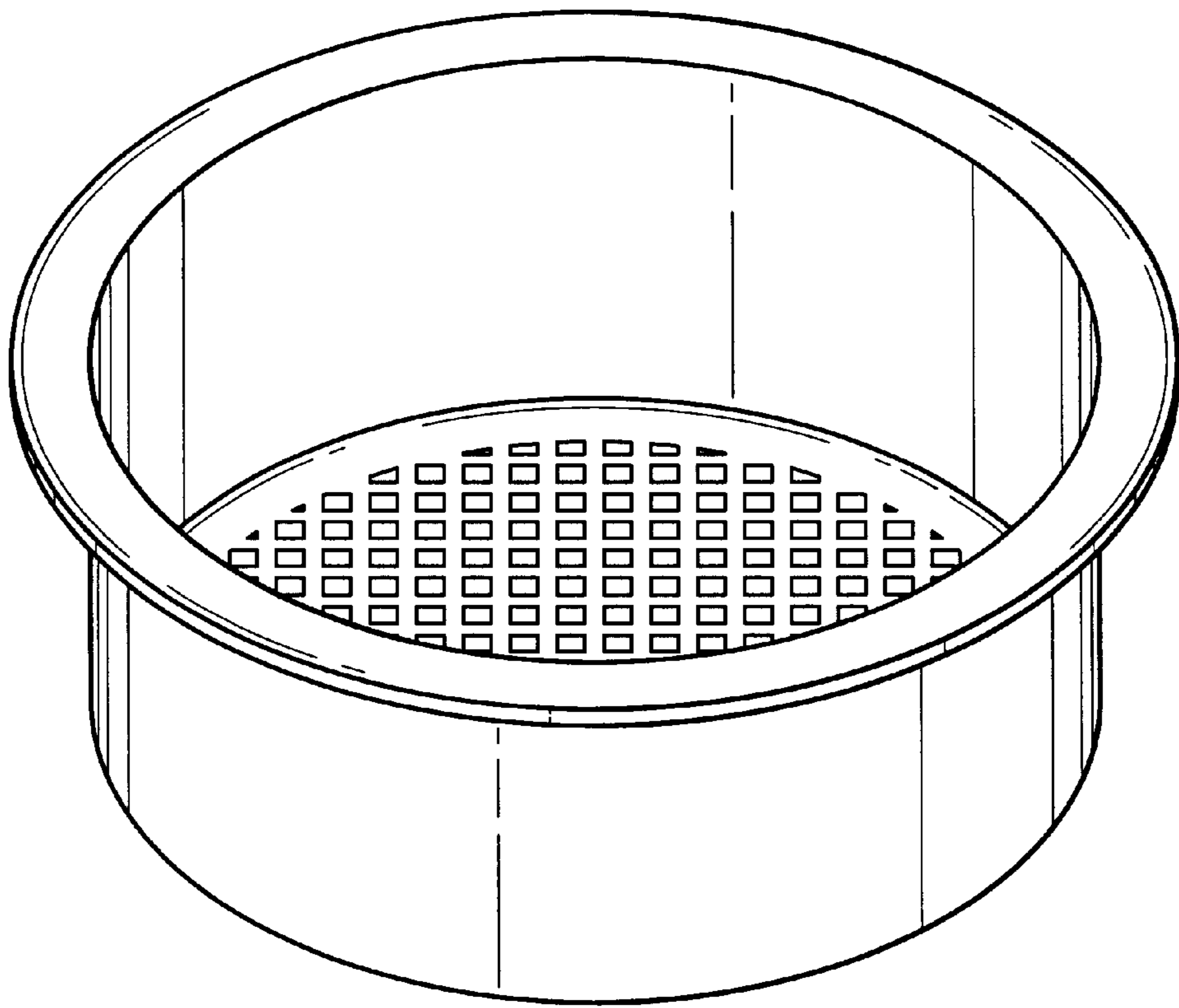


Fig. 1

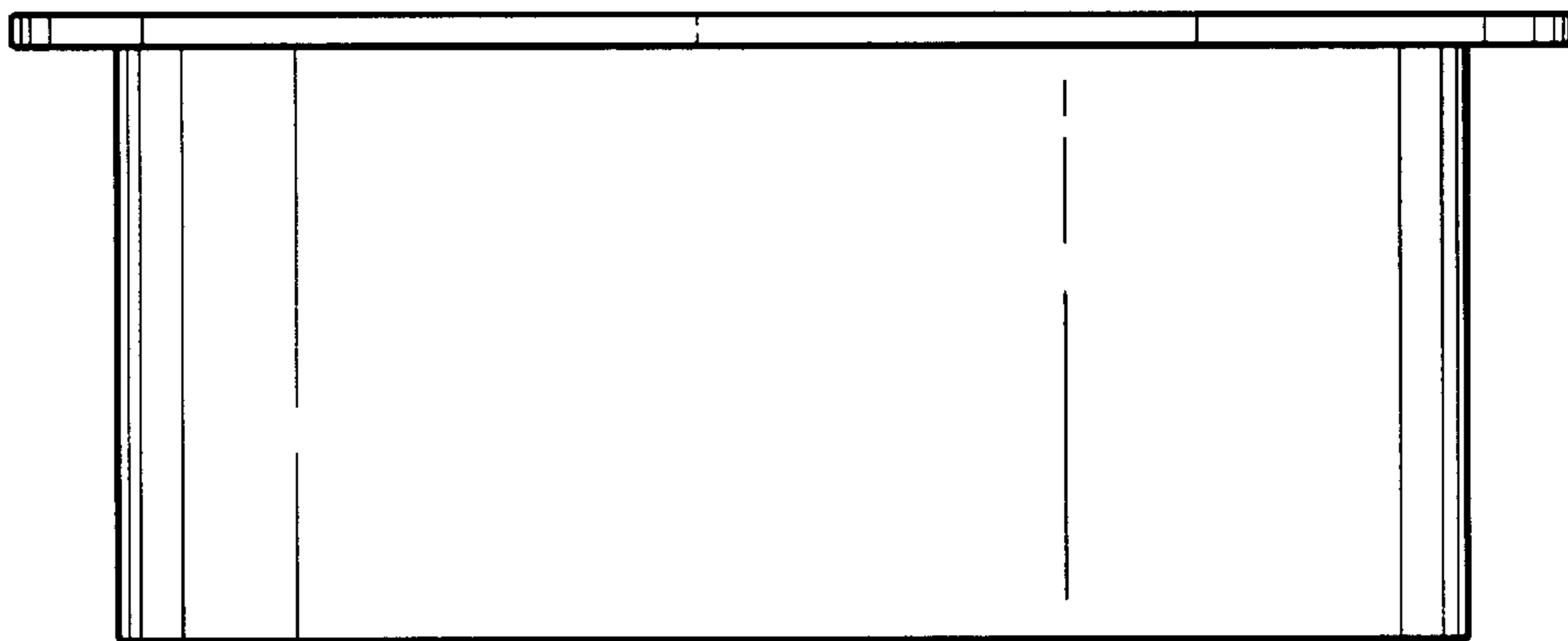


Fig. 2

Fig. 3

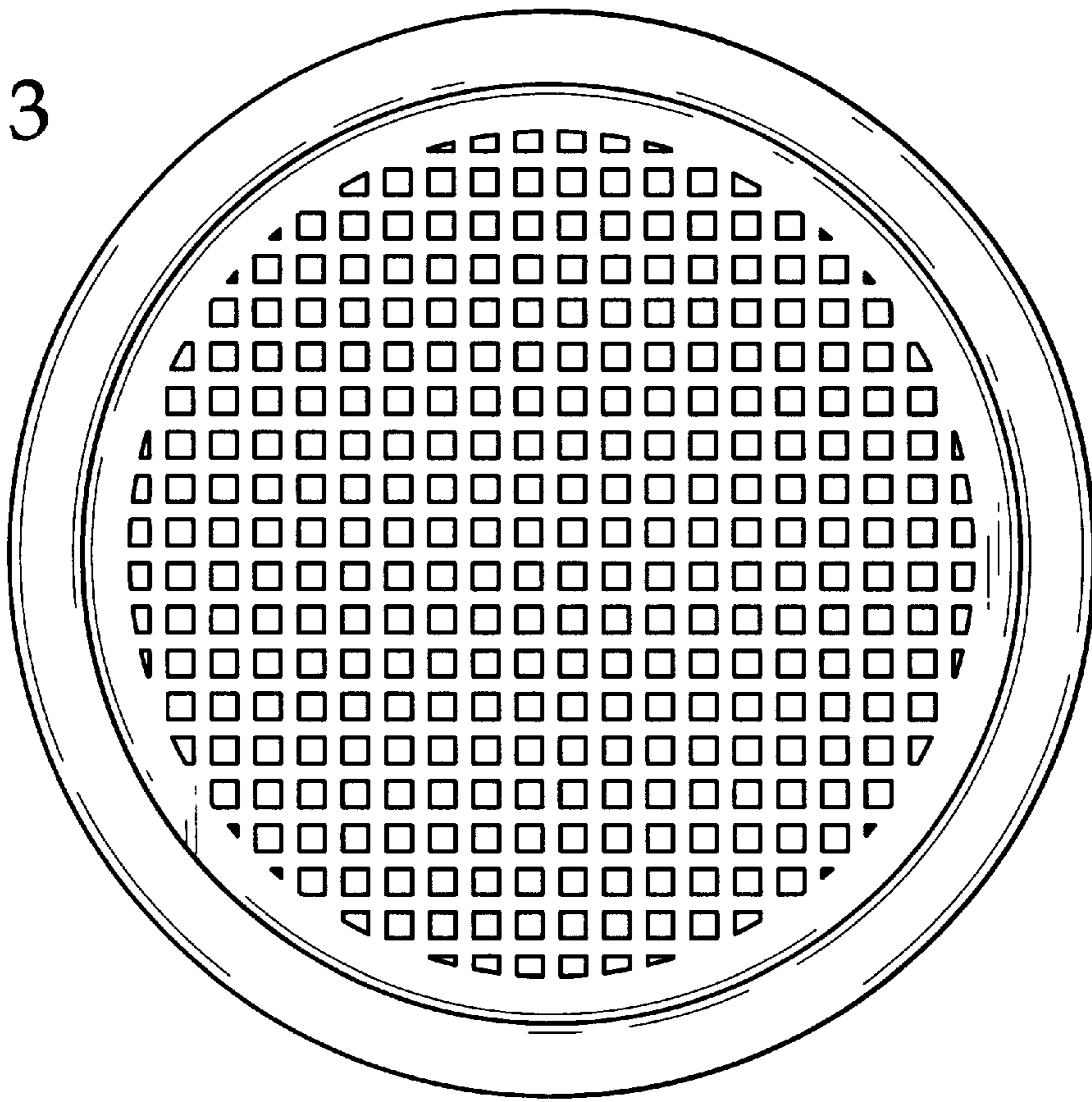


Fig. 4

