



US00D449872B1

(12) **United States Design Patent**  
**Lohde et al.**

(10) **Patent No.:** **US D449,872 S**  
(45) **Date of Patent:** **\*\* Oct. 30, 2001**

(54) **IRRIGATION VALVE**

**DESCRIPTION**

- (75) Inventors: **Dan Lohde**, Aliso Viejo; **John Larry Kent**, Moreno Valley; **Alan Dawn**, Murrieta, all of CA (US)
- (73) Assignee: **The Toro Company**, Minneapolis, MN (US)
- (\*\*) Term: **14 Years**
- (21) Appl. No.: **29/106,377**
- (22) Filed: **Jun. 14, 1999**
- (51) **LOC (7) Cl.** ..... **23-01**
- (52) **U.S. Cl.** ..... **D23/233**
- (58) **Field of Search** ..... D23/233-237,  
D23/244-5; 251/30.01, 30.02, 30.05, 45-46,  
61.5

- FIG. 1 is a perspective view of a first embodiment of an irrigation valve with flow control showing our new design;
- FIG. 2 is a front elevational view of the invention illustrated in FIG. 1;
- FIG. 3 is a left elevational view of the invention illustrated in FIG. 1;
- FIG. 4 is a right elevational view of the invention illustrated in FIG. 1;
- FIG. 5 is a back elevational view of the invention illustrated in FIG. 1;
- FIG. 6 is a top plan view of the invention illustrated in FIG. 1;
- FIG. 7 is a bottom plan view of the invention illustrated in FIG. 1.
- FIG. 8 is a perspective view of a second embodiment of an irrigation valve without flow control showing our new design;
- FIG. 9 is a front elevational view of the invention illustrated in FIG. 8;
- FIG. 10 is a left elevational view of the invention illustrated in FIG. 8;
- FIG. 11 is a right elevational view of the invention illustrated in FIG. 8;
- FIG. 12 is a back elevational view of the invention illustrated in FIG. 8;
- FIG. 13 is a top plan view of the invention illustrated in FIG. 8; and,
- FIG. 14 is a bottom plan view of the invention illustrated in FIG. 8.

(56) **References Cited**

**U.S. PATENT DOCUMENTS**

D. 215,438	*	10/1969	Holm	.....	D23/233
D. 352,094	*	11/1994	Baker	.....	D23/244
D. 403,049	*	12/1998	Ohtani et al.	.....	D23/233
4,180,236	*	12/1979	Saarem et al.	.....	251/46
4,477,051	*	10/1984	Ben-Yehuda	.....	251/45
4,505,450	*	3/1985	Saarem et al.	.....	251/30
5,213,303	*	5/1993	Walker	.....	251/30.02
5,632,465	*	5/1997	Cordua	.....	251/46

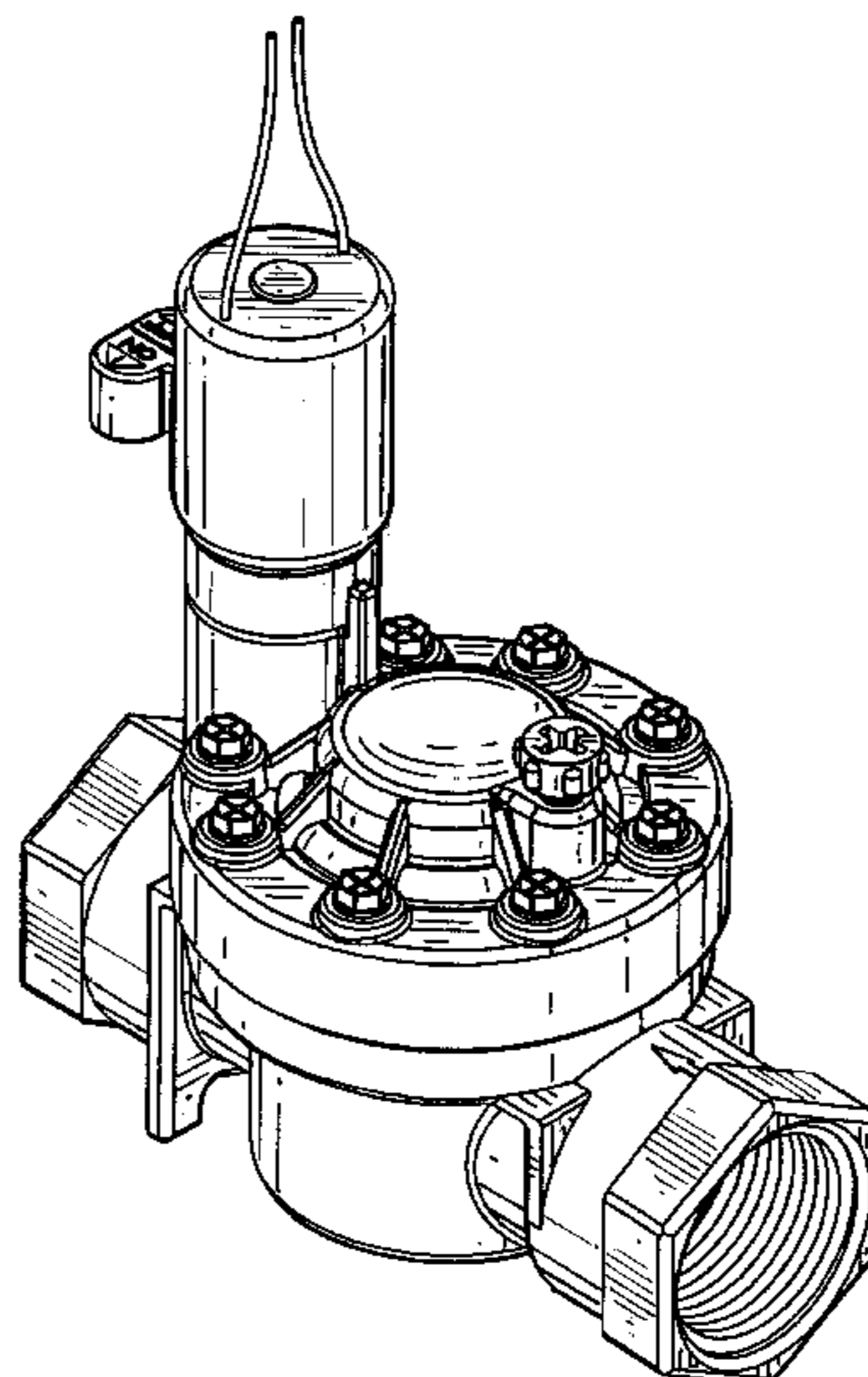
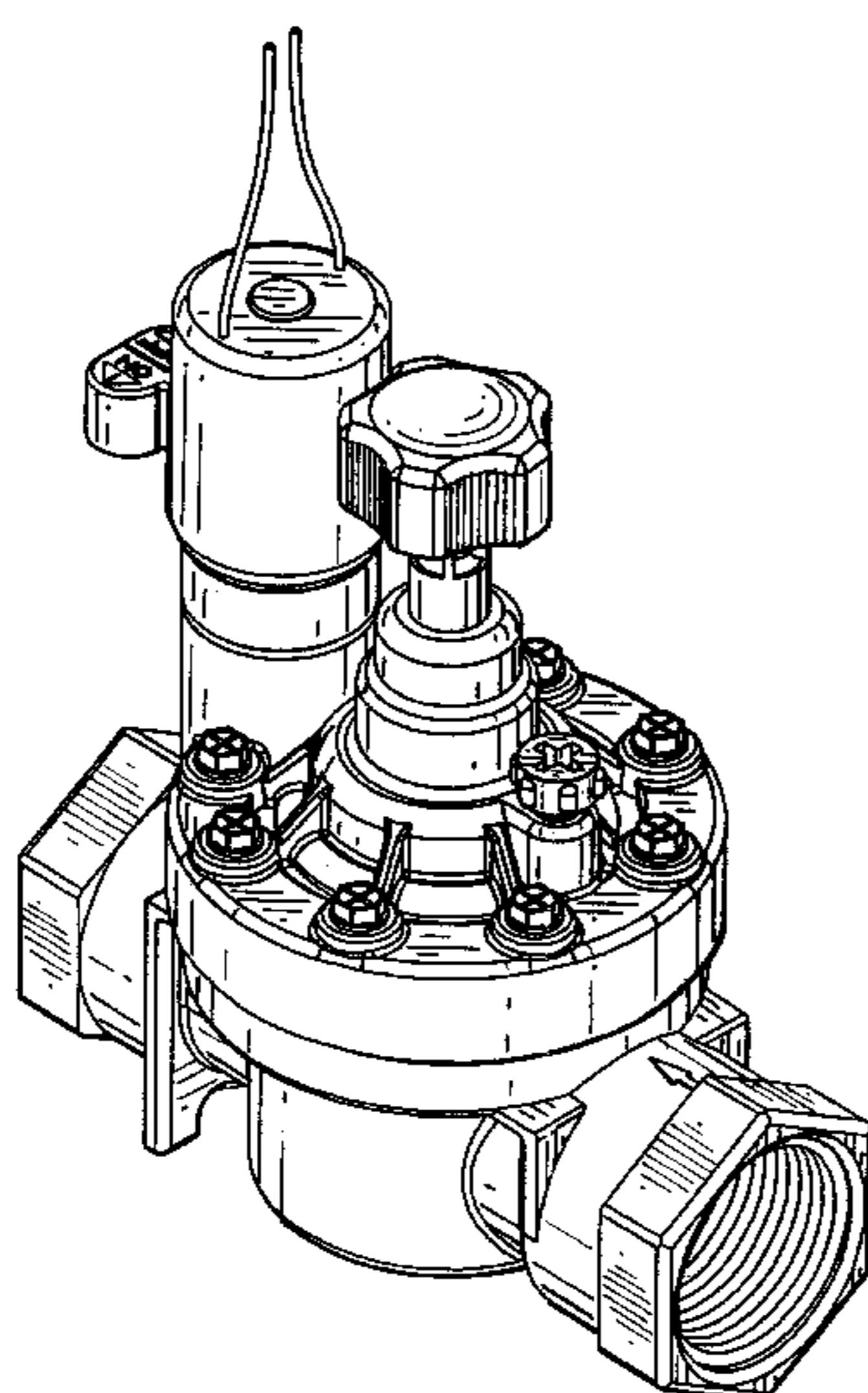
\* cited by examiner

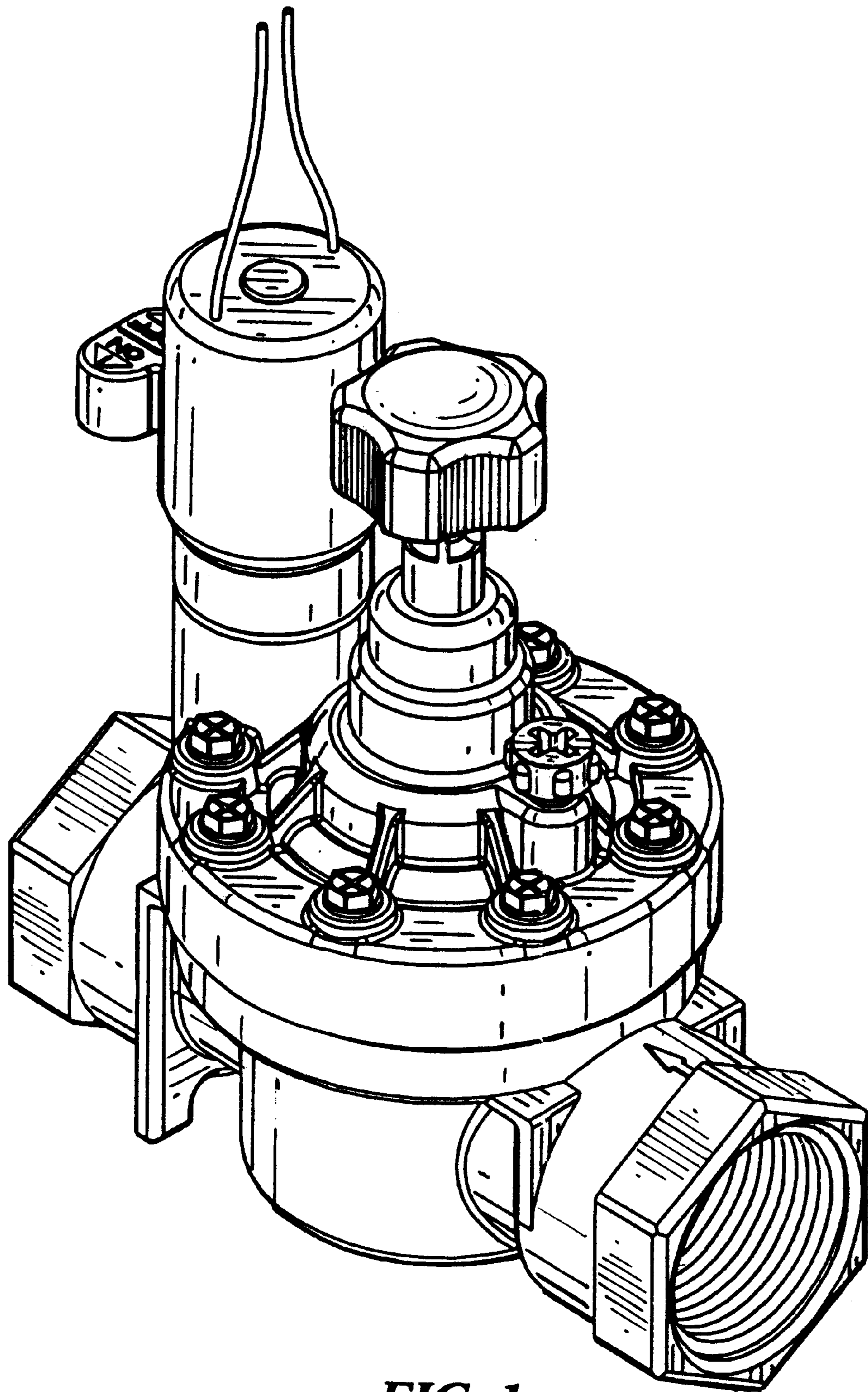
*Primary Examiner*—Robin V. Taylor  
(74) *Attorney, Agent, or Firm*—James W. Miller

(57) **CLAIM**

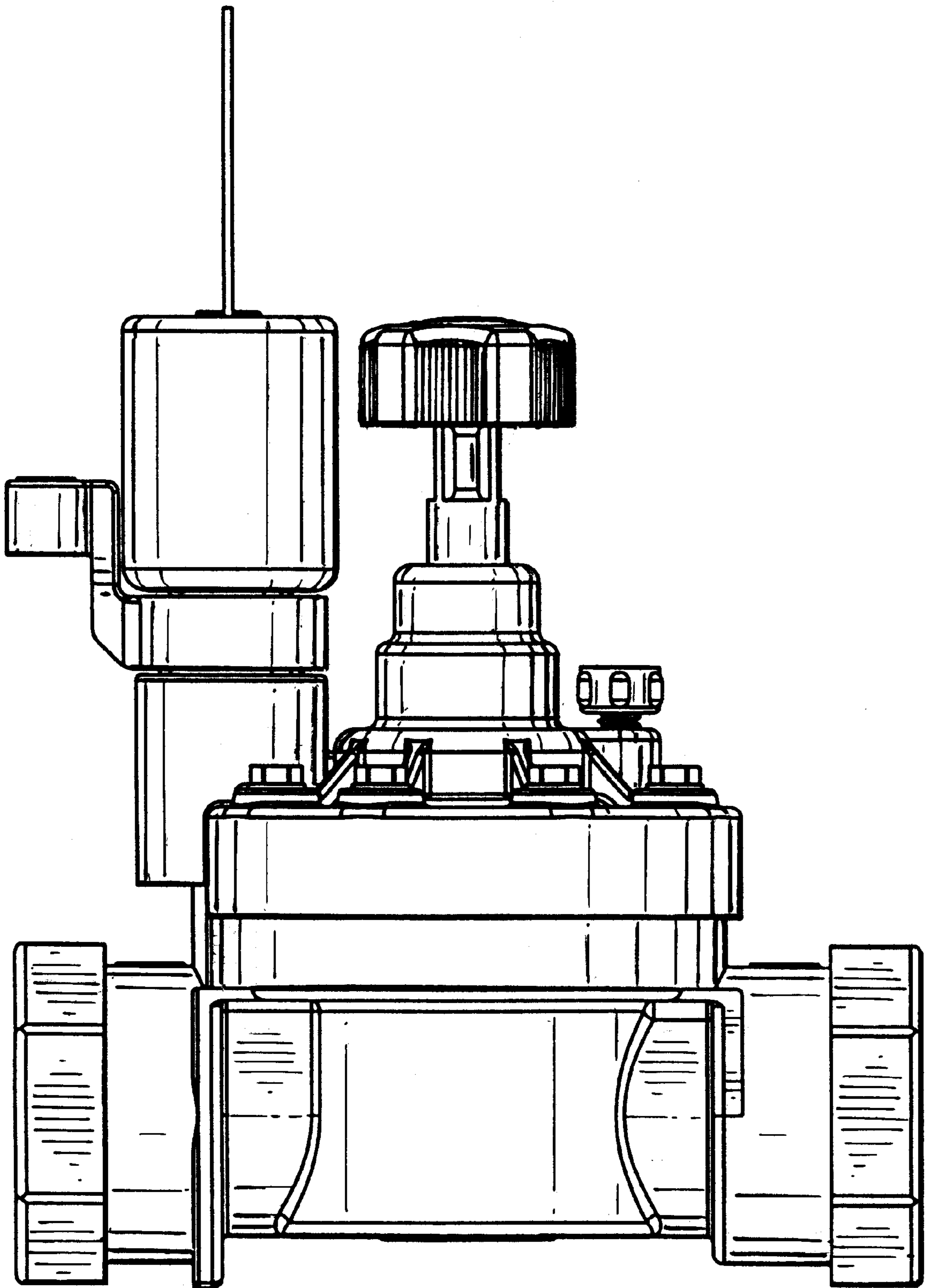
The ornamental design for an irrigation valve, as shown and described.

**1 Claim, 14 Drawing Sheets**



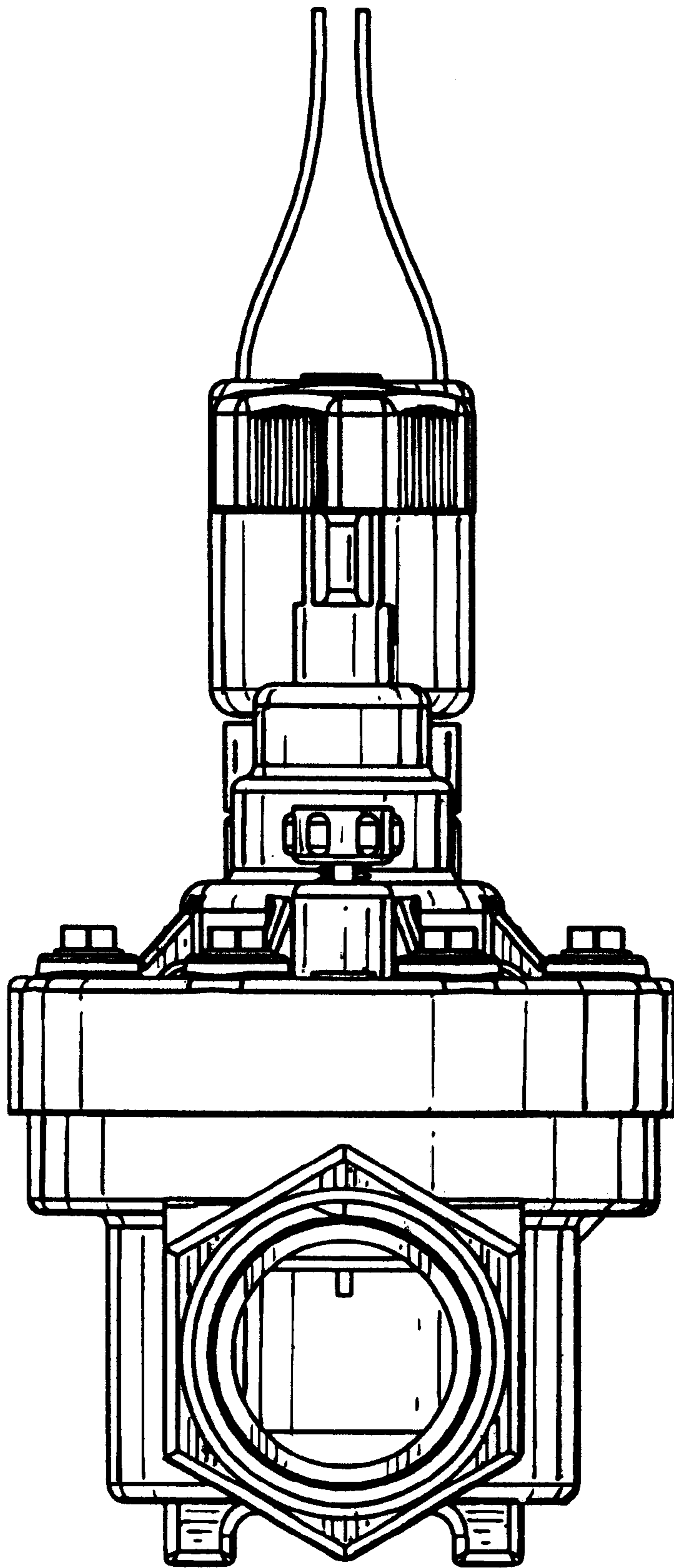


**FIG. 1**

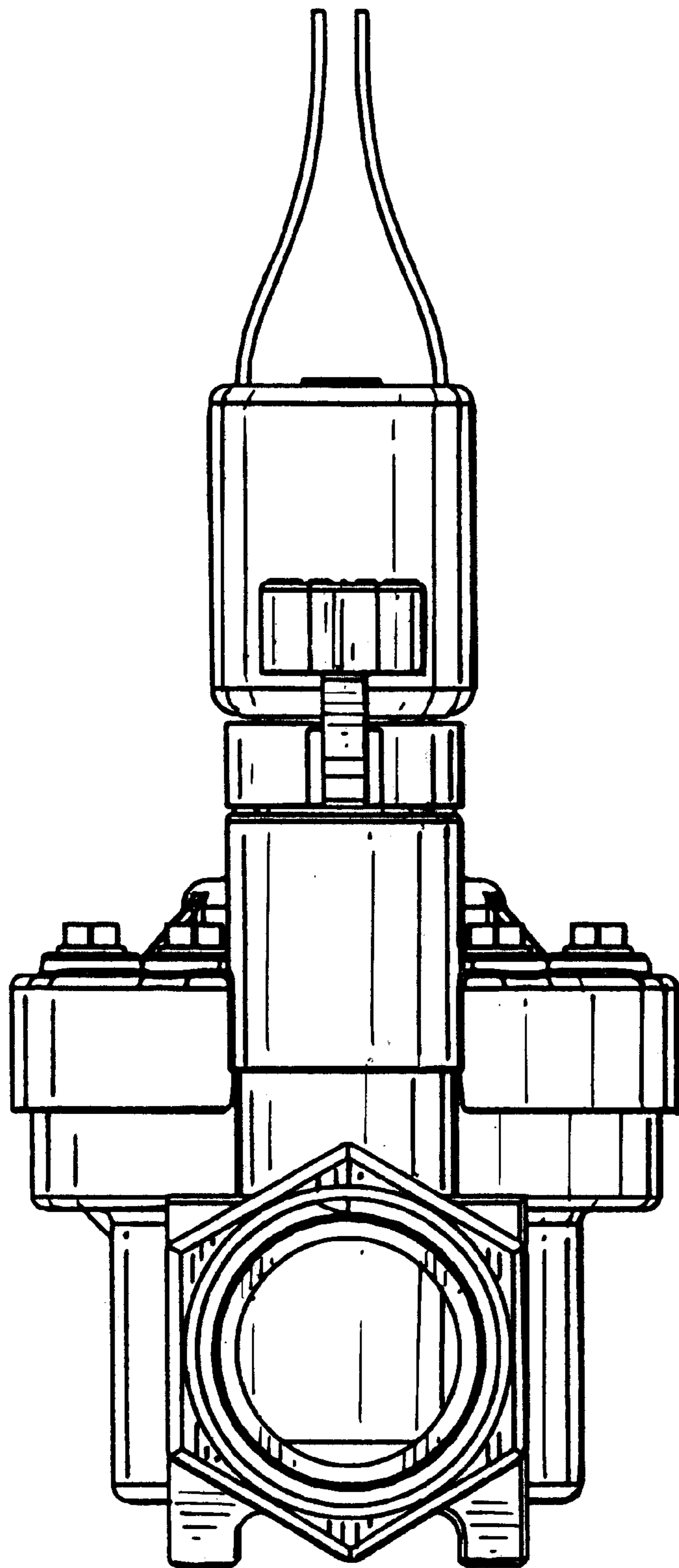


**FIG. 2**

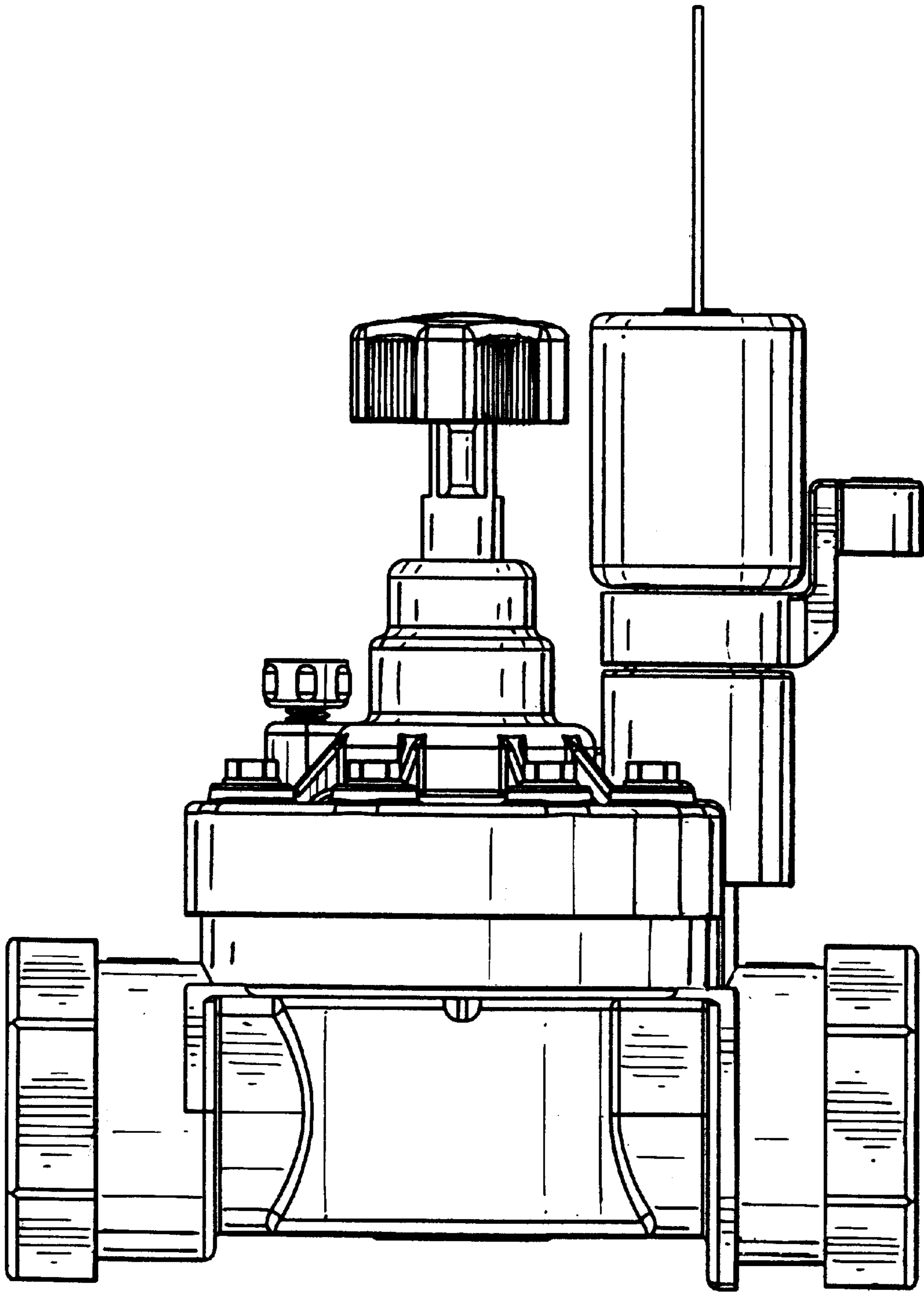




**FIG. 3**



**FIG. 4**



**FIG. 5**

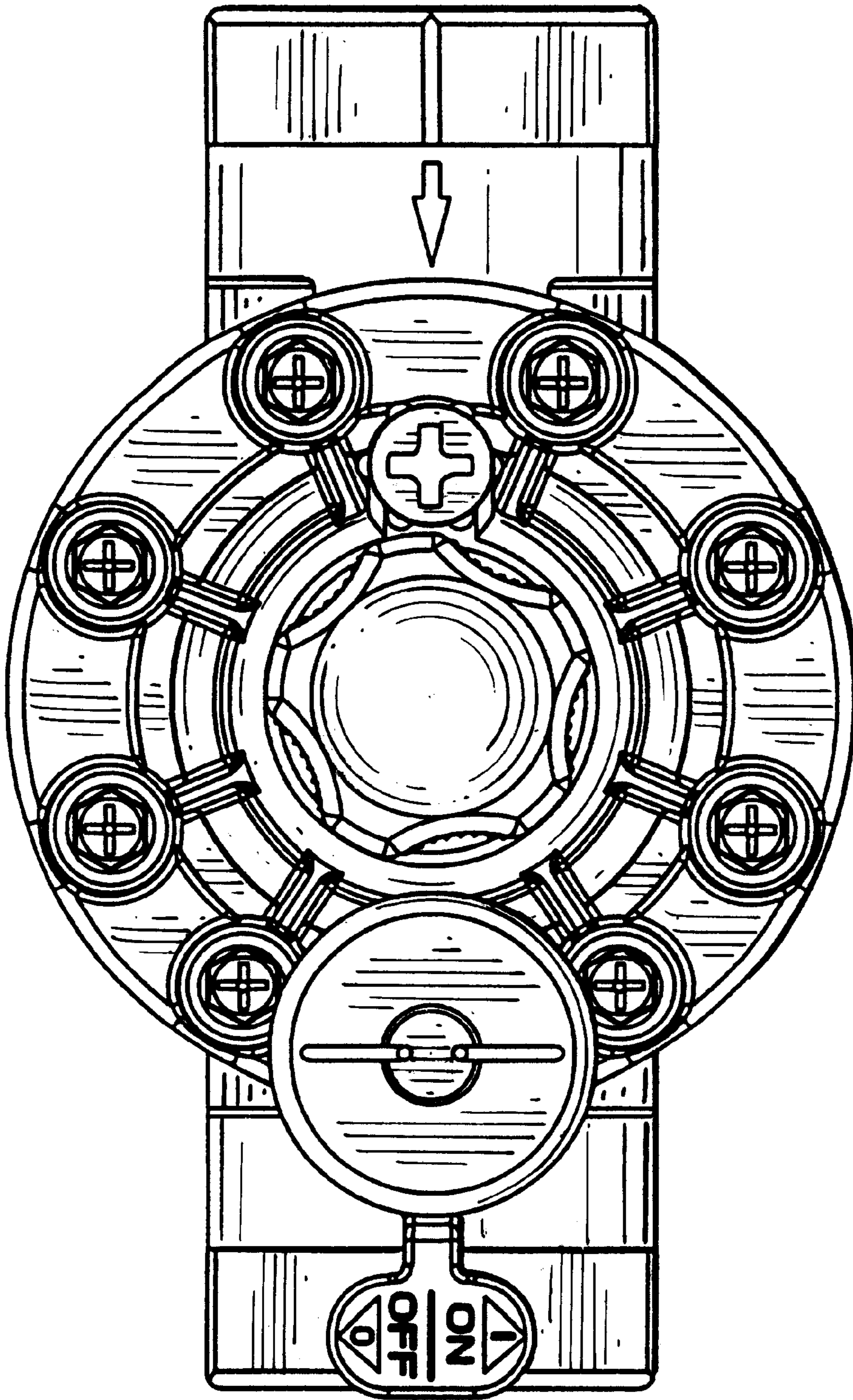
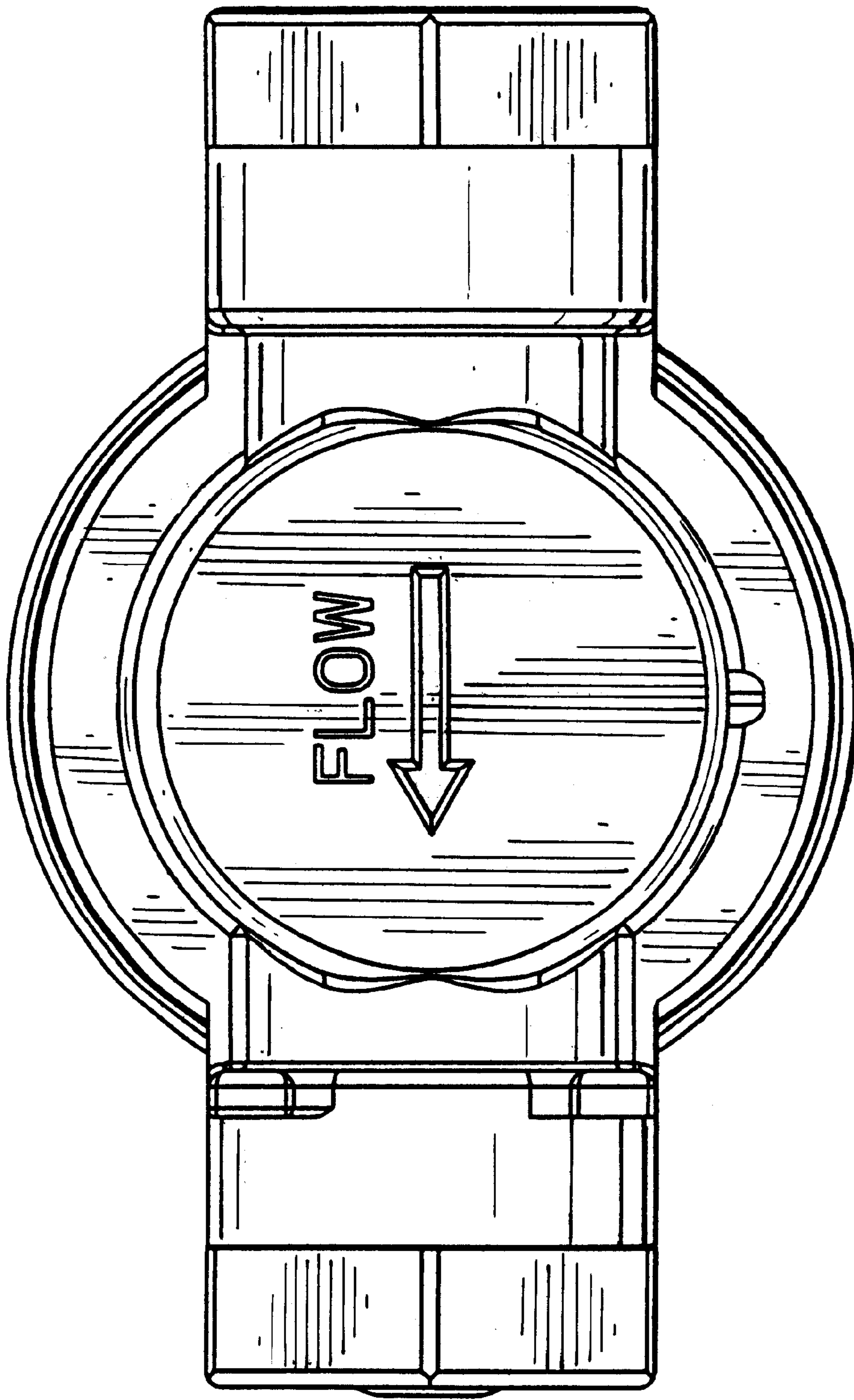
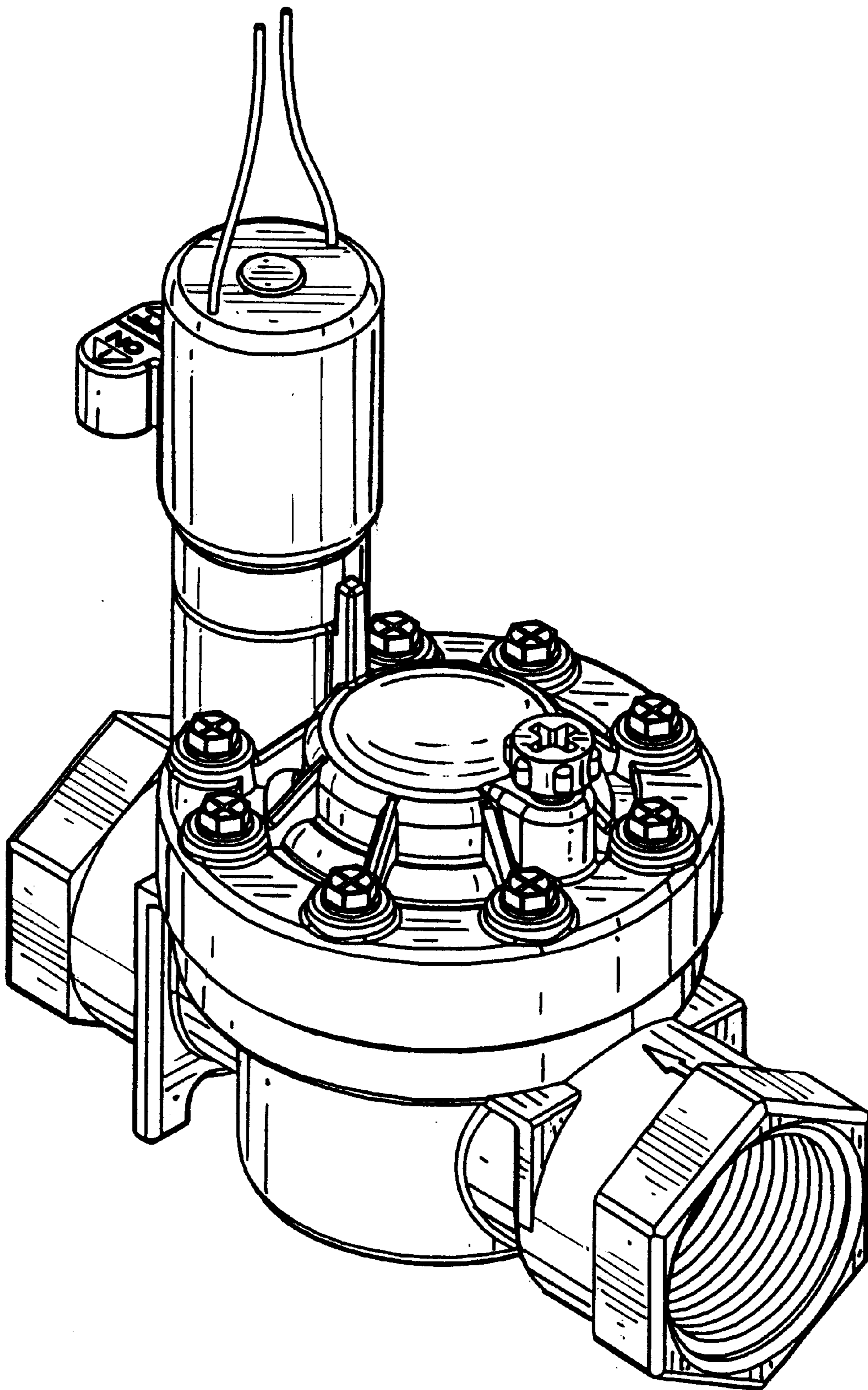


FIG. 6

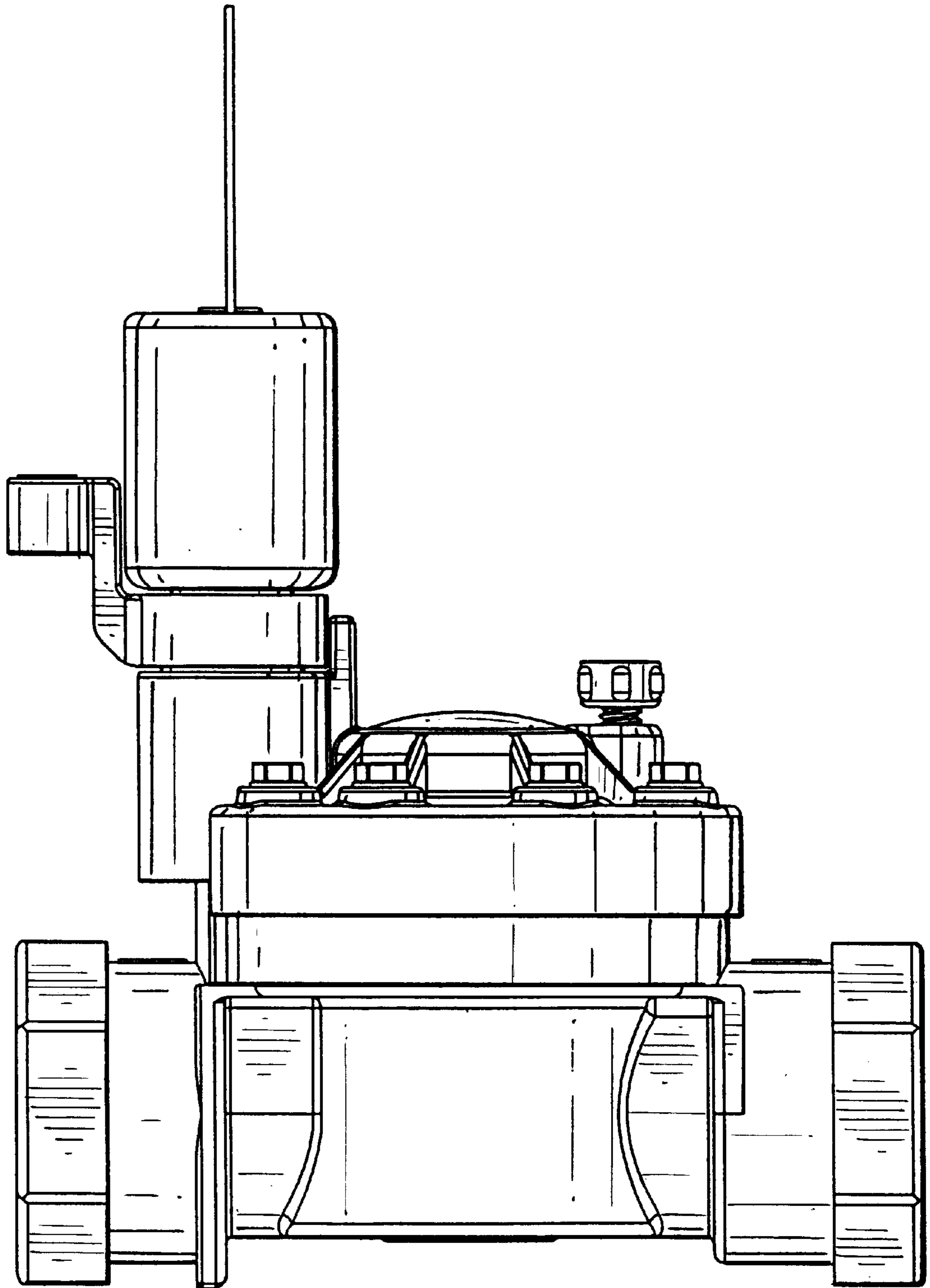


**FIG. 7**

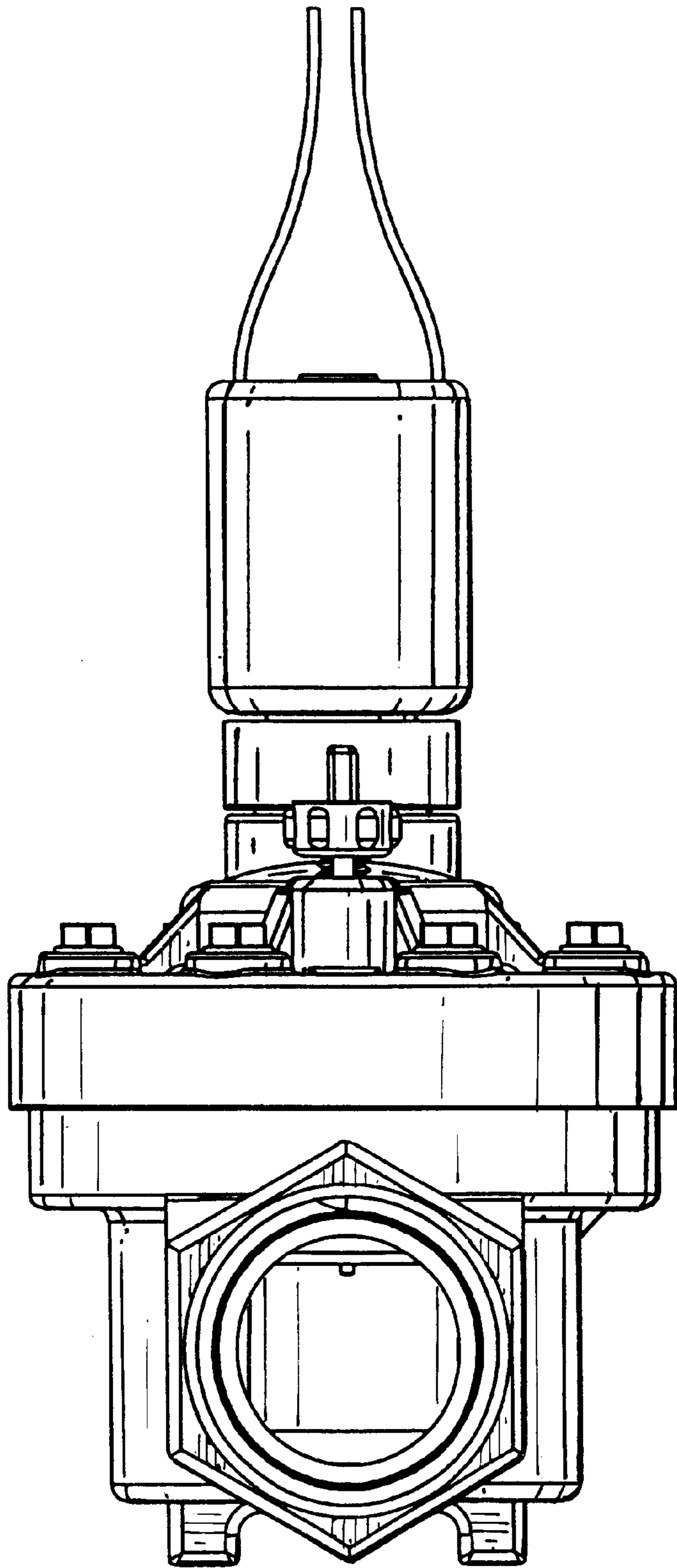




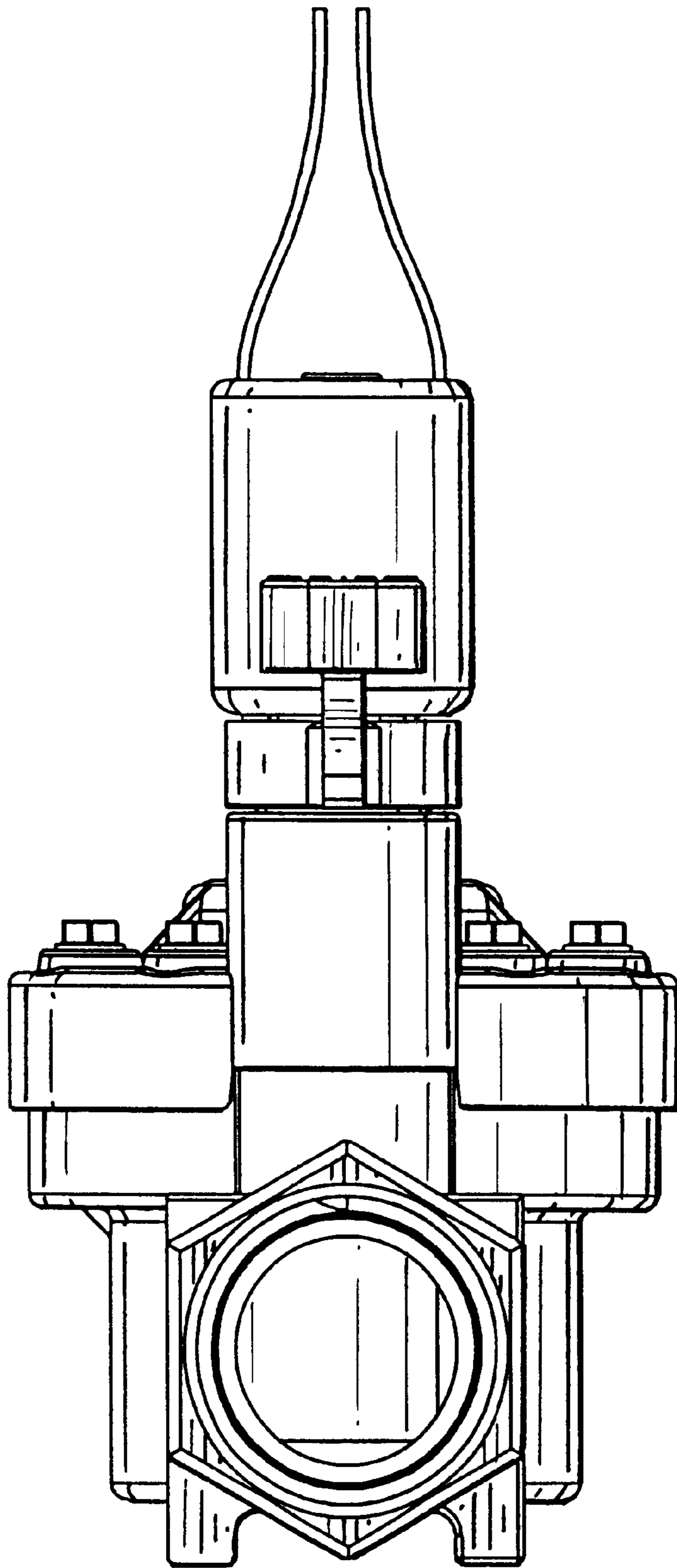
**FIG. 8**



**FIG. 9**

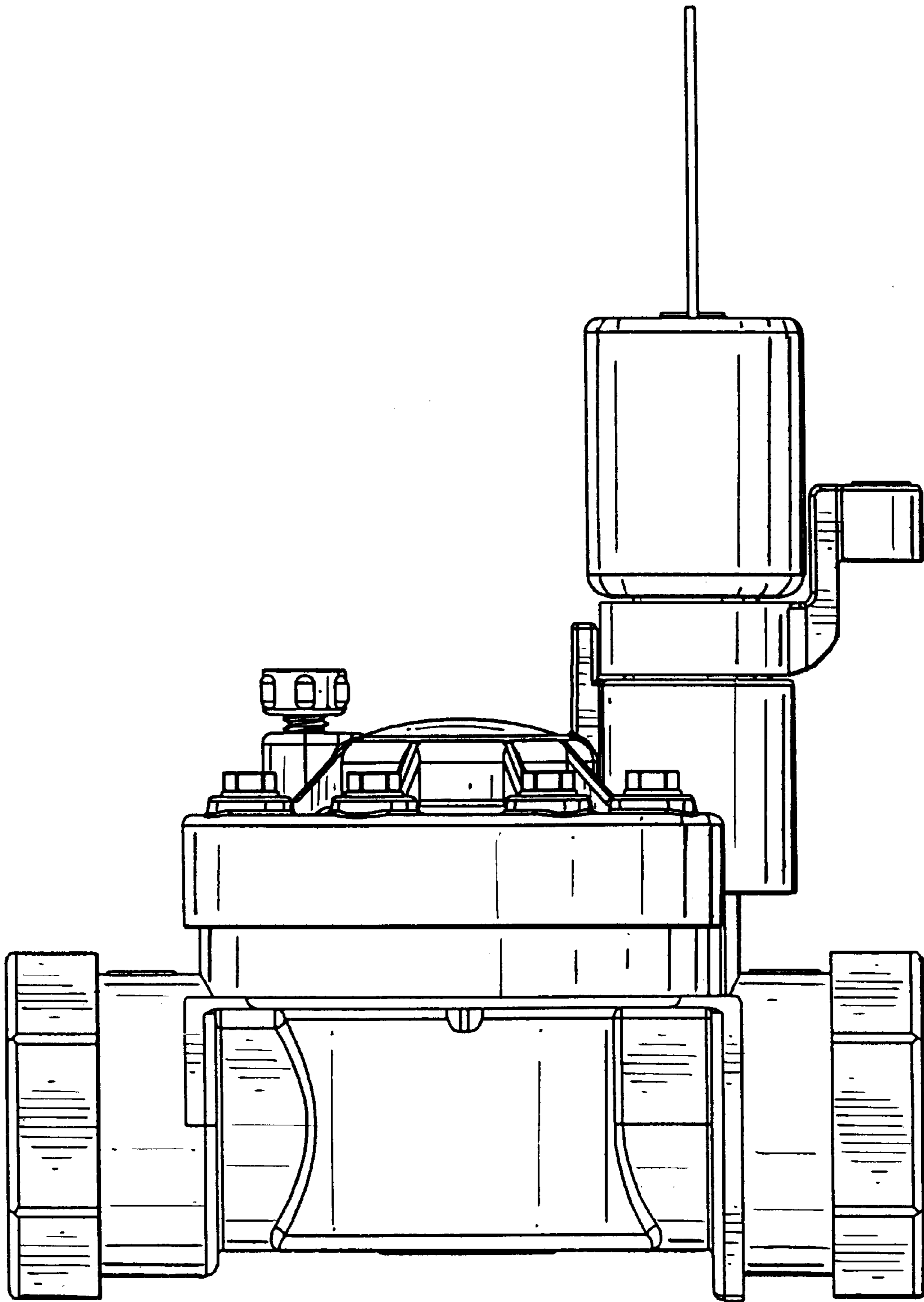


**FIG. 10**

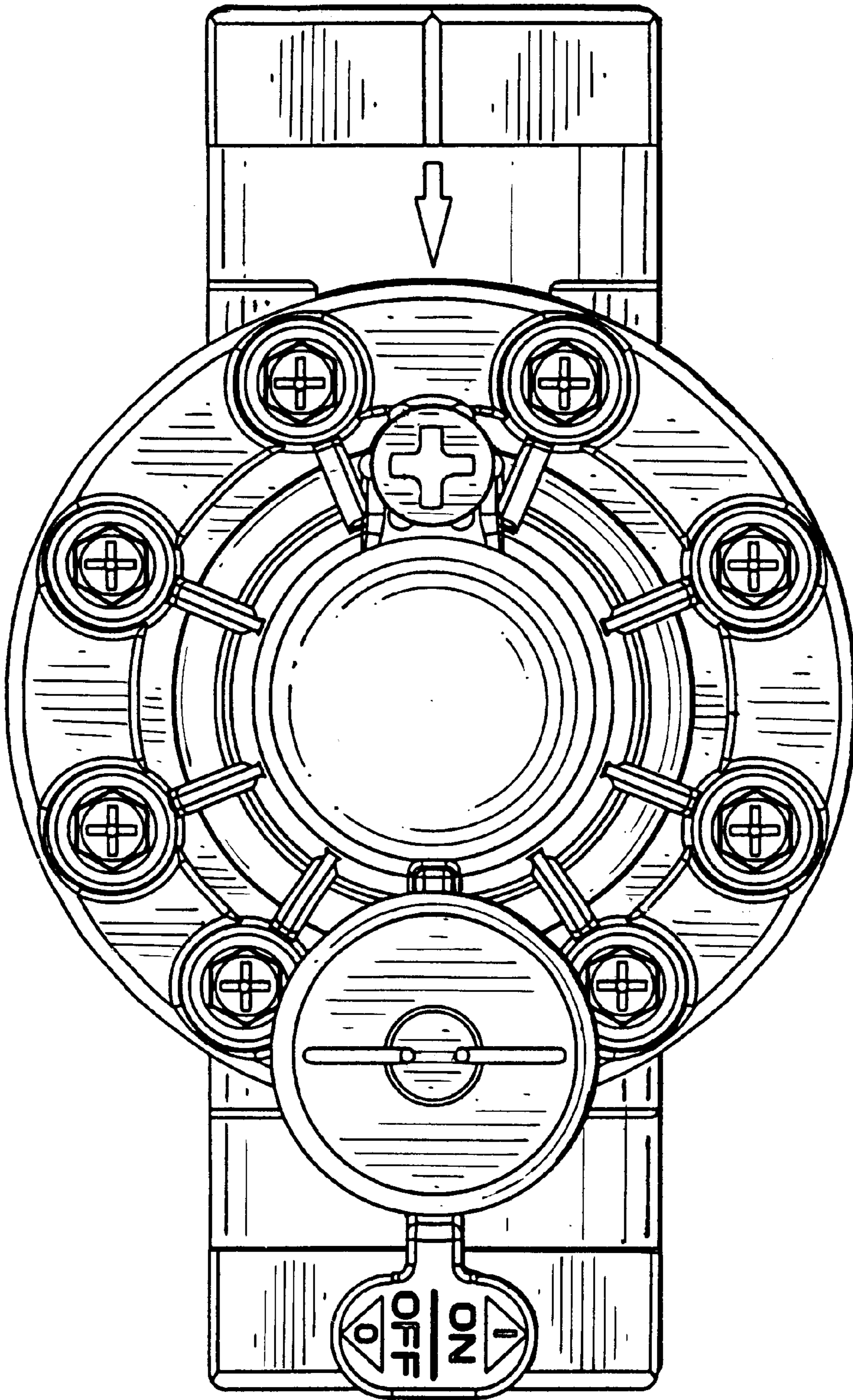


**FIG. 11**

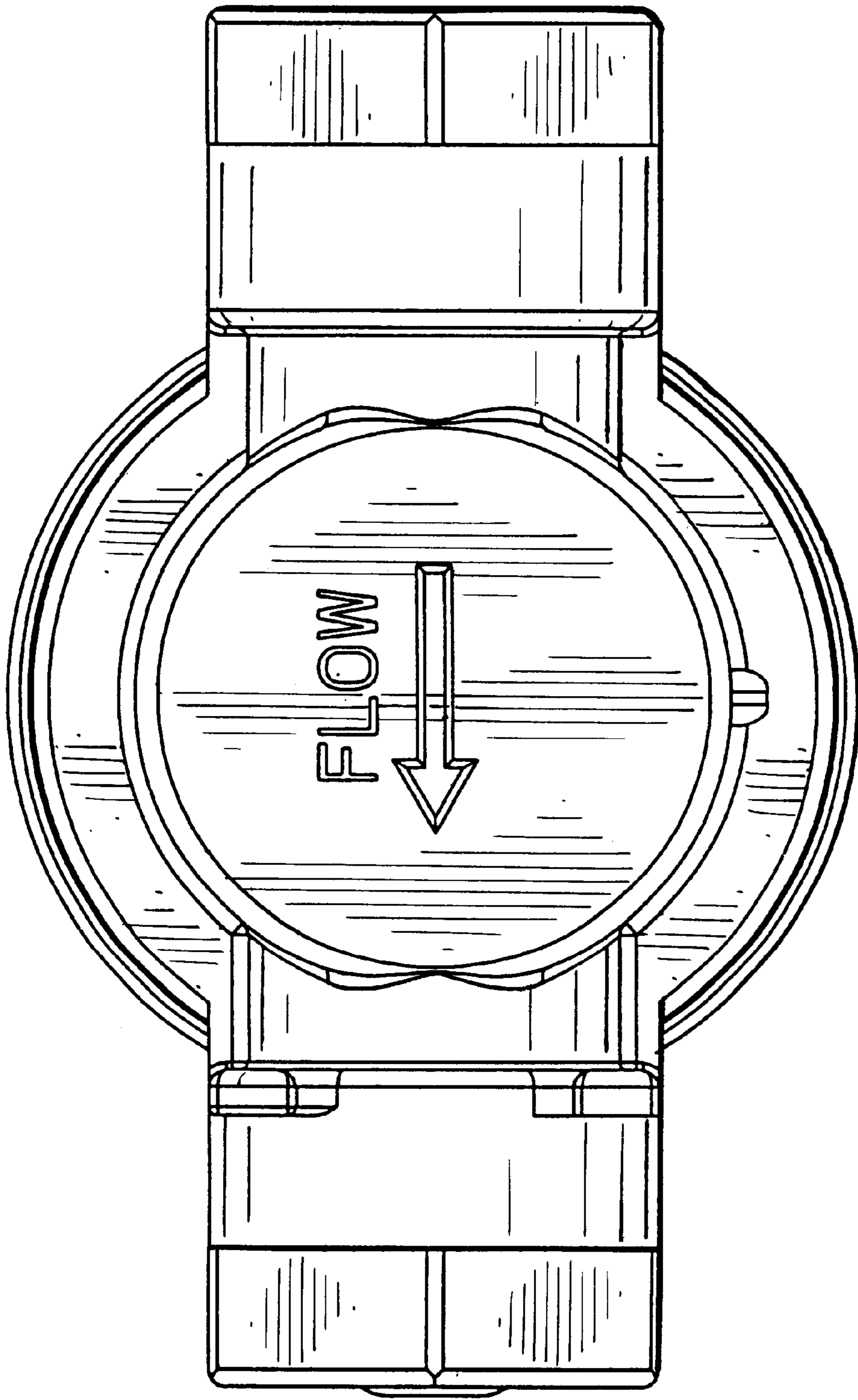




**FIG. 12**



*FIG. 13*



**FIG. 14**