



US00D449869B1

(12) **United States Design Patent**
Kjaer-Madsen et al.

(10) **Patent No.:** **US D449,869 S**

(45) **Date of Patent:** **** Oct. 30, 2001**

(54) **PLAYGROUND EQUIPMENT**

(75) Inventors: **Julie Kjaer-Madsen**, Odense; **Jan Ryaa**, Billund, both of (DK)

(73) Assignees: **Kompan A/S**, Ringe; **Lego A/S**, Billund, both of (DK)

(**) Term: **14 Years**

(21) Appl. No.: **29/138,791**

(22) Filed: **Mar. 20, 2001**

Related U.S. Application Data

(62) Division of application No. 29/132,112, filed on Nov. 2, 2000, which is a division of application No. 29/104,040, filed on Apr. 27, 1999, now Pat. No. Des. 438,588.

(30) **Foreign Application Priority Data**

Oct. 28, 1998 (DK) MA 1998 01133
Mar. 11, 1999 (DK) MA 1999 00277

(51) **LOC (7) Cl.** **21-03**

(52) **U.S. Cl.** **D21/814**

(58) **Field of Search** D21/814, 811,
D21/815, 831, 832, 825, 827, 820; 482/35,

36

(56) **References Cited**

U.S. PATENT DOCUMENTS

D. 130,761	*	12/1941	Oermann	D21/820
D. 281,803	*	12/1985	Miller	D21/827
D. 424,138	*	5/2000	Joyner	D21/820
D. 438,588	*	3/2001	Kjaer-Madsen	D21/814
4,378,216	*	3/1983	Phillips	482/35

* cited by examiner

Primary Examiner—Mitchell Siegel

(74) *Attorney, Agent, or Firm*—William J. Sapone; Coleman Sudol Sapone P.C.

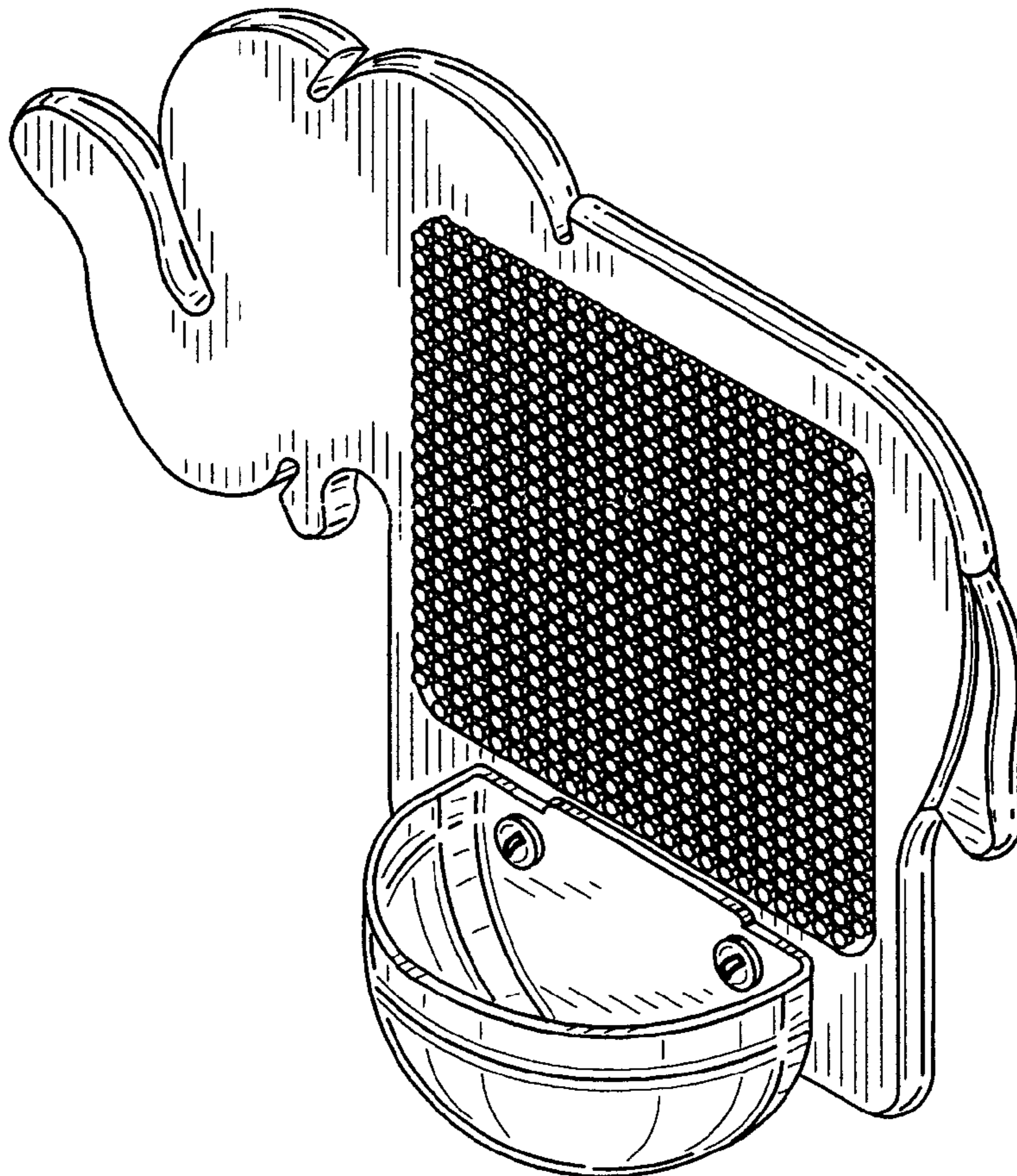
(57) **CLAIM**

The ornamental design for playground equipment, as shown and described.

DESCRIPTION

FIG. 1 is a perspective view of playground equipment showing our new design;
FIG. 2 is a front plan thereof;
FIG. 3 is a side view thereof; and,
FIG. 4 is another perspective thereof.

1 Claim, 2 Drawing Sheets



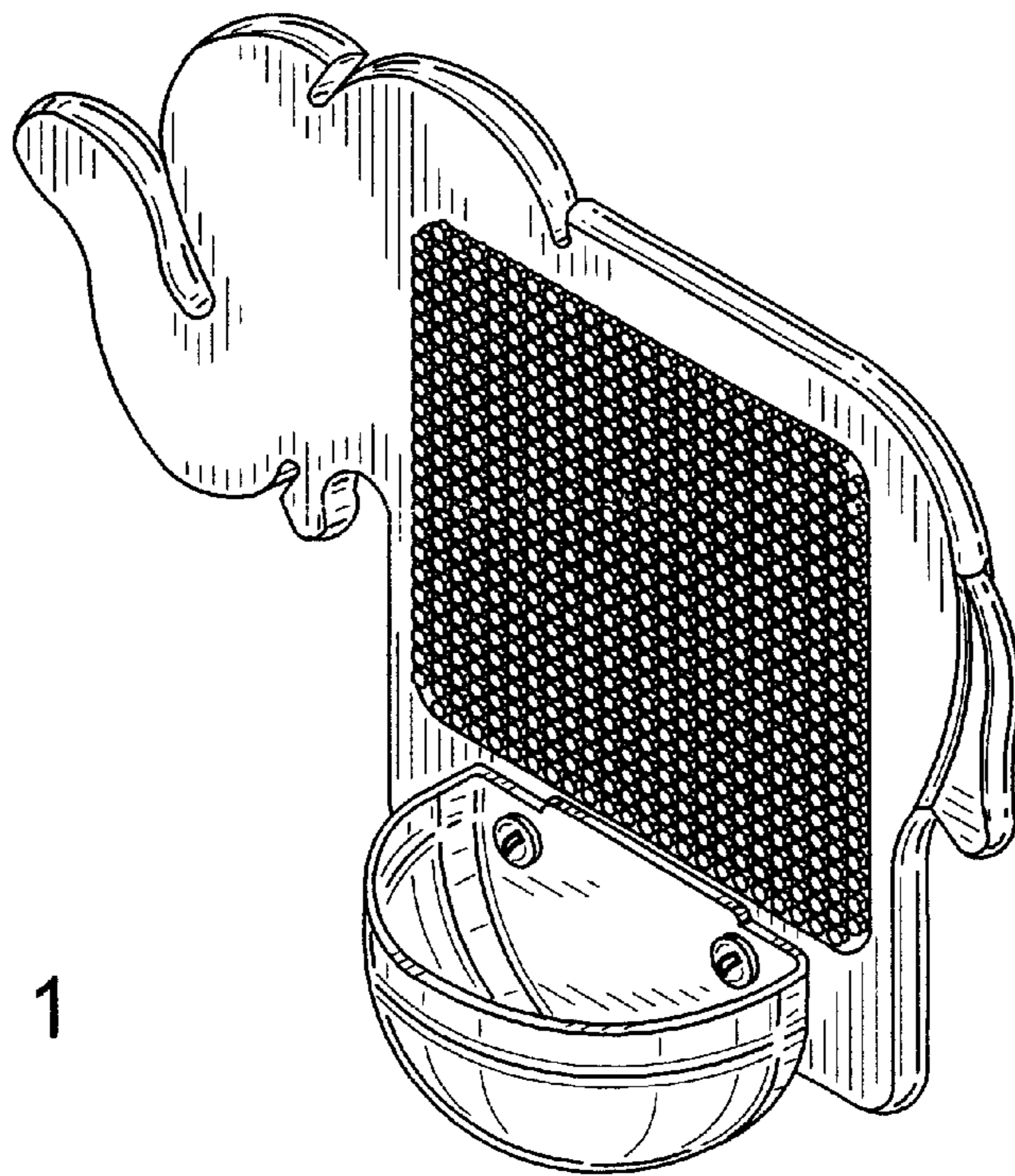


FIG. 1

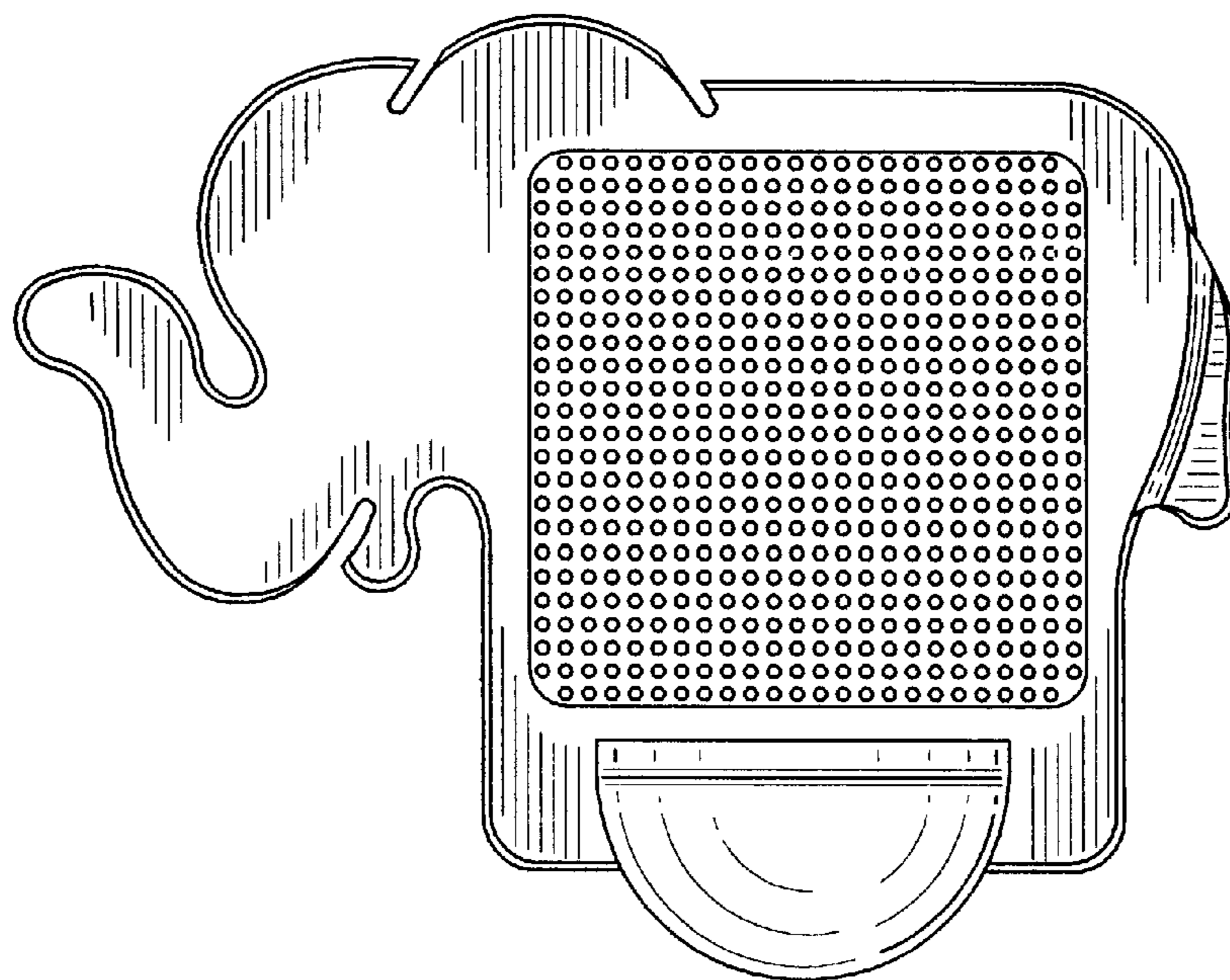


FIG. 2

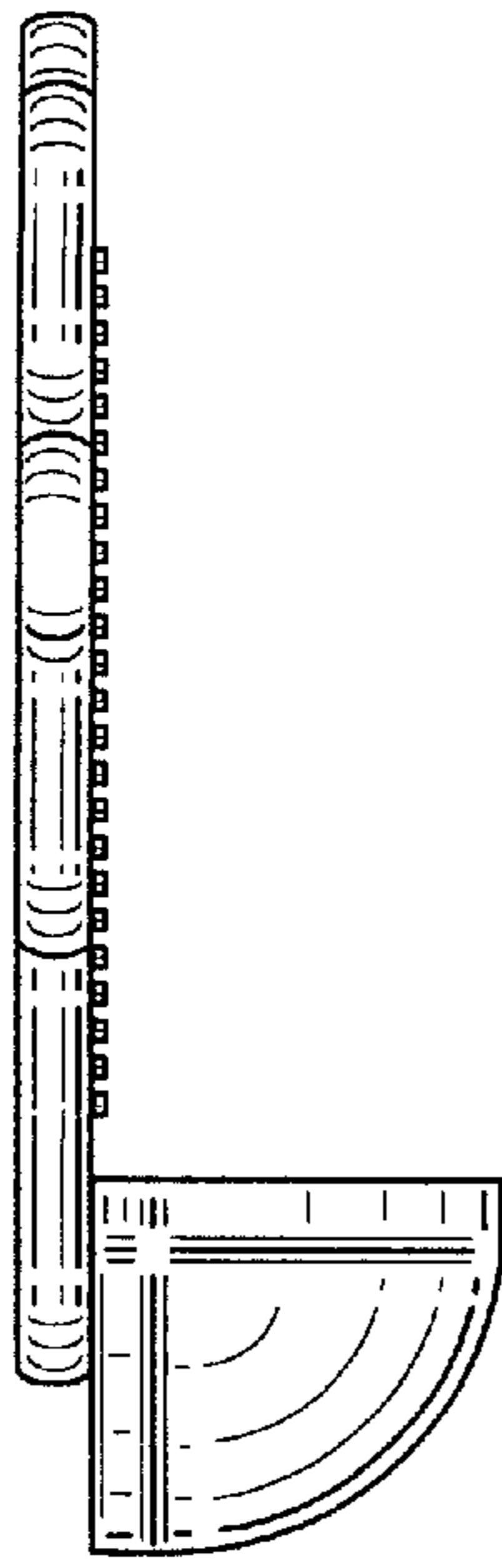


FIG. 3

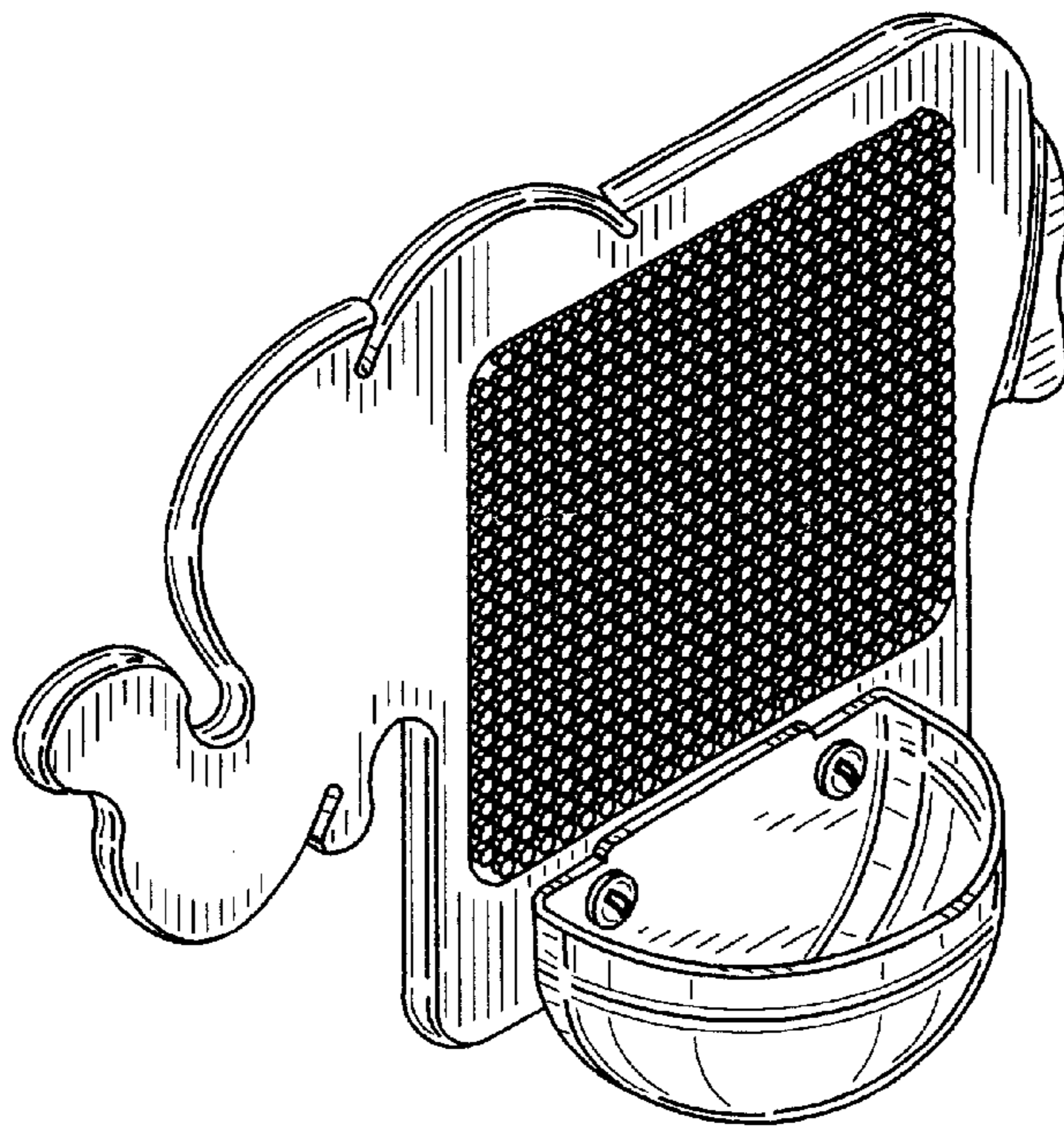


FIG. 4