



US00D449868B1

(12) **United States Design Patent**  
**Rogers**

(10) **Patent No.:** **US D449,868 S**

(45) **Date of Patent:** **\*\* Oct. 30, 2001**

(54) **AQUATIC VEHICLE**

(76) **Inventor:** **Thomas W. Rogers**, 6103 Crowne Cir., Franklin, TN (US) 37067

(\*\*) **Term:** **14 Years**

(21) **Appl. No.:** **29/135,879**

(22) **Filed:** **Jan. 22, 2001**

(51) **LOC (7) Cl.** ..... **21-06**

(52) **U.S. Cl.** ..... **D21/801; D21/810; D12/305**

(58) **Field of Search** ..... **D12/300, 305, D12/308; D21/801, 803, 810; 114/315, 333, 338; 440/6**

(56) **References Cited**

**U.S. PATENT DOCUMENTS**

D. 242,615	*	12/1976	Henning	.....	D12/308
4,813,367	*	3/1989	Stevenson	.....	114/315
4,864,959	*	9/1989	Takamizawa et al.	.....	114/315
5,158,034	*	10/1992	Hsu	.....	114/315
5,396,860	*	3/1995	Cheng	.....	114/315

5,568,783	*	10/1996	Ditchfield	.....	114/242
6,000,978	*	12/1999	Donahue	.....	440/6
6,033,276	*	3/2000	Han	.....	441/135
6,065,419	*	5/2000	Stecker, Sr.	.....	114/315

\* cited by examiner

*Primary Examiner*—Kay H. Chin

(74) *Attorney, Agent, or Firm*—Charles M. Kaplan

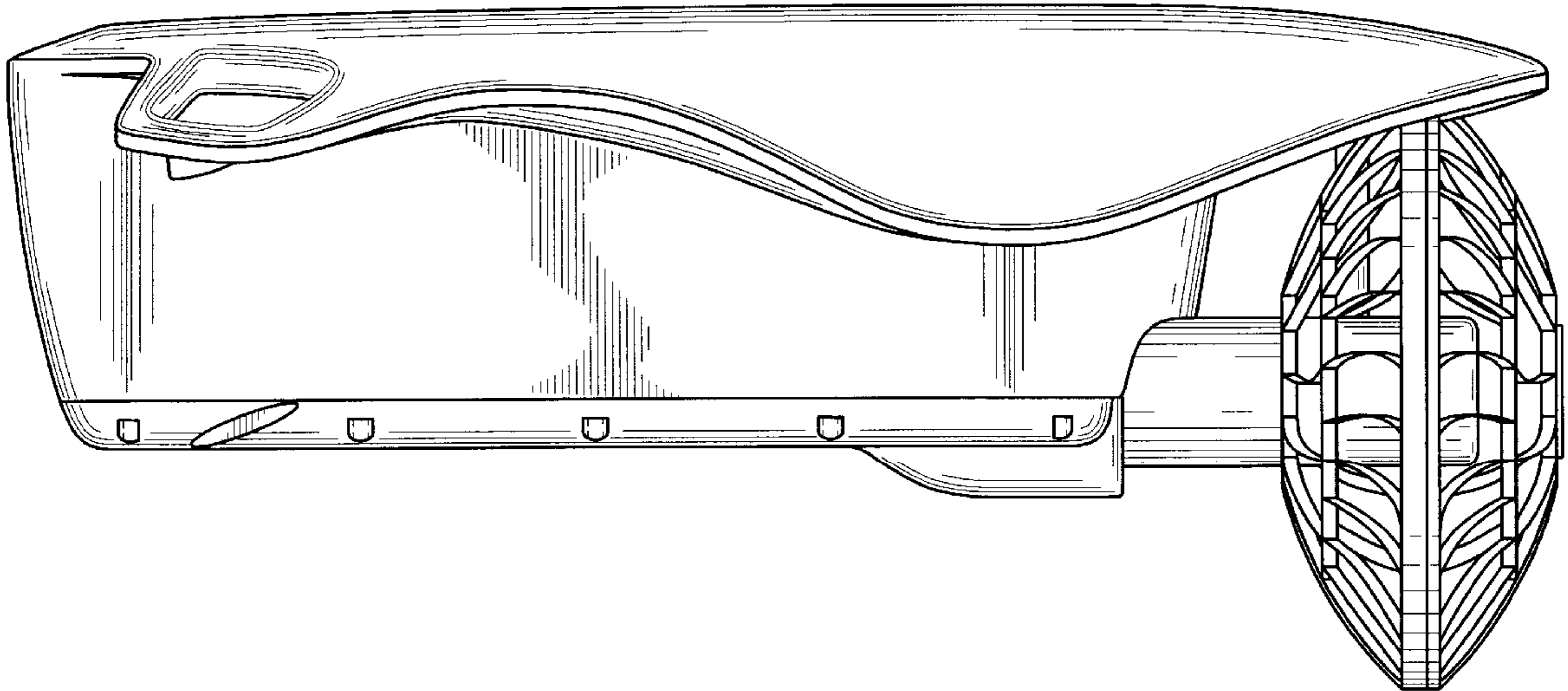
(57) **CLAIM**

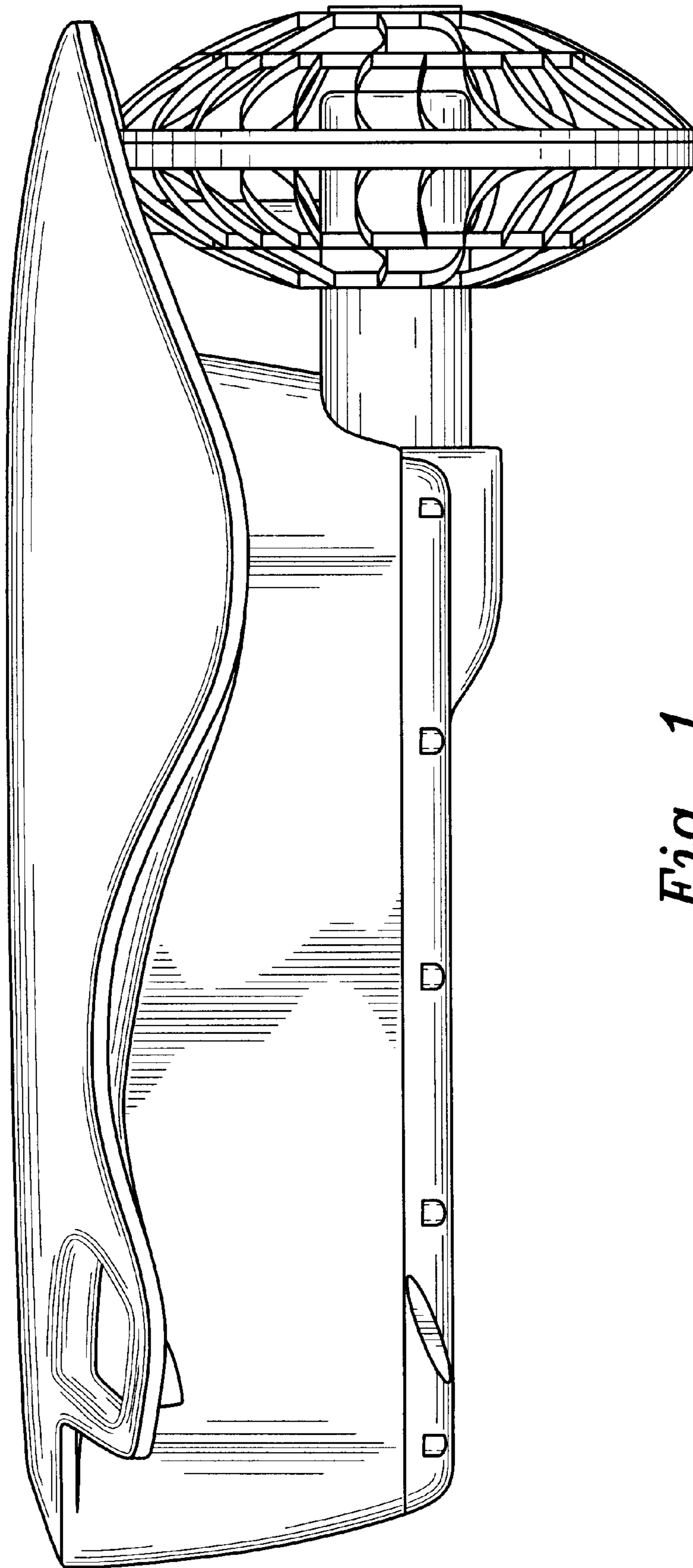
The ornamental design for an aquatic vehicle, as shown and described.

**DESCRIPTION**

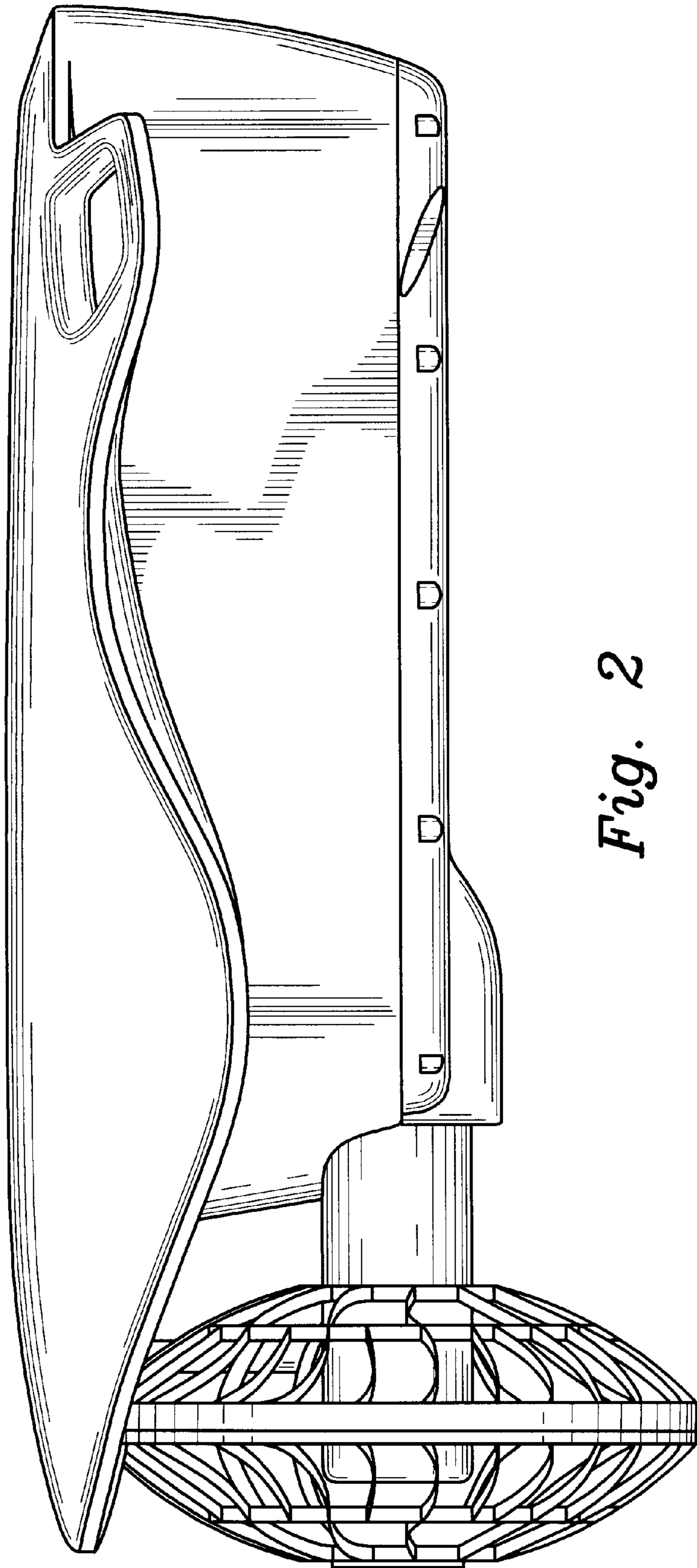
FIG. 1 is a side elevational view of an aquatic vehicle embodying my new design;  
 FIG. 2 is a side elevational view of the opposite side of the aquatic vehicle;  
 FIG. 3 is a top plan view of the aquatic vehicle;  
 FIG. 4 is a front elevational view of the aquatic vehicle;  
 FIG. 5 is a rear elevational view of the aquatic vehicle; and,  
 FIG. 6 is a bottom plan view of the aquatic vehicle.

**1 Claim, 4 Drawing Sheets**

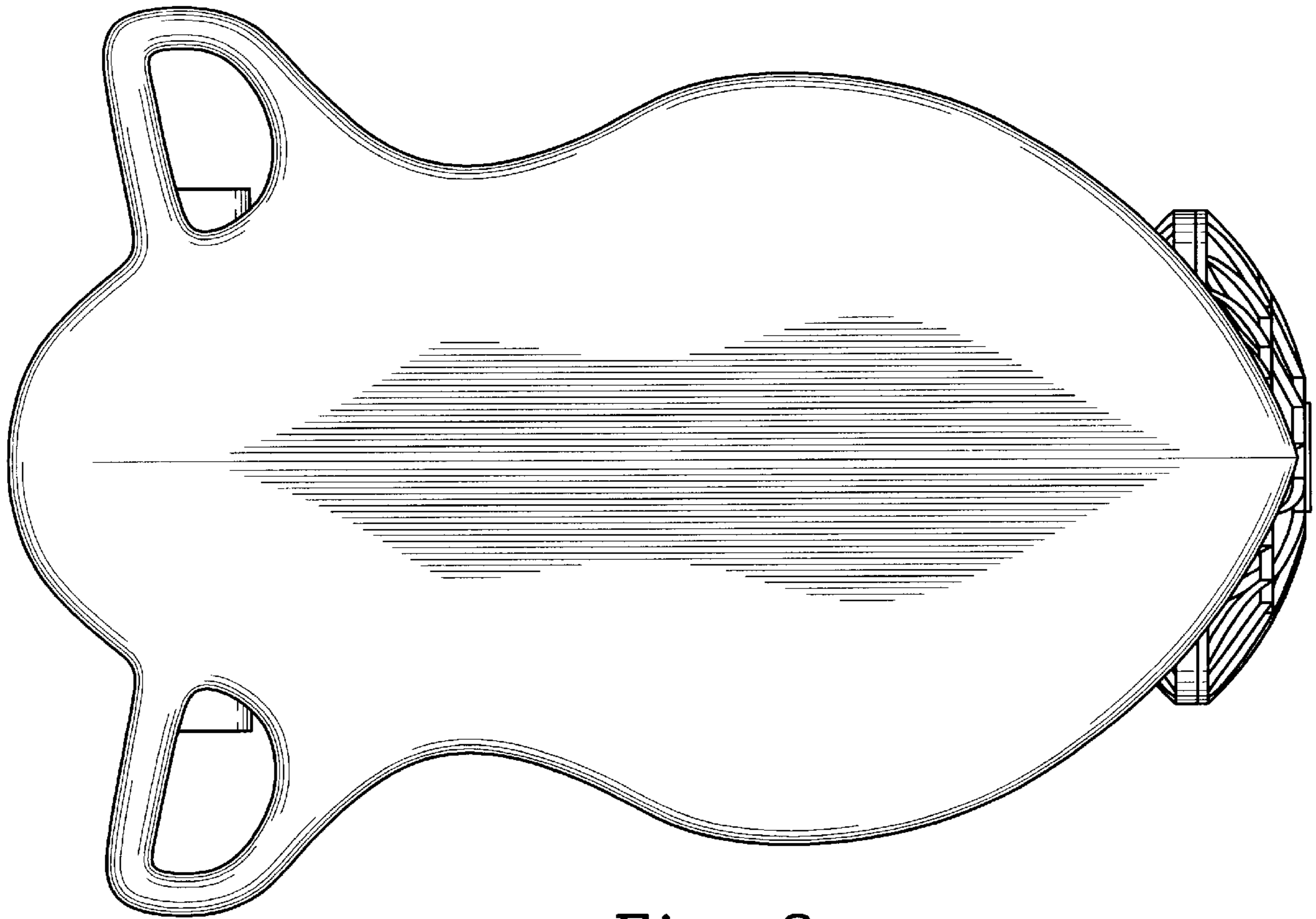




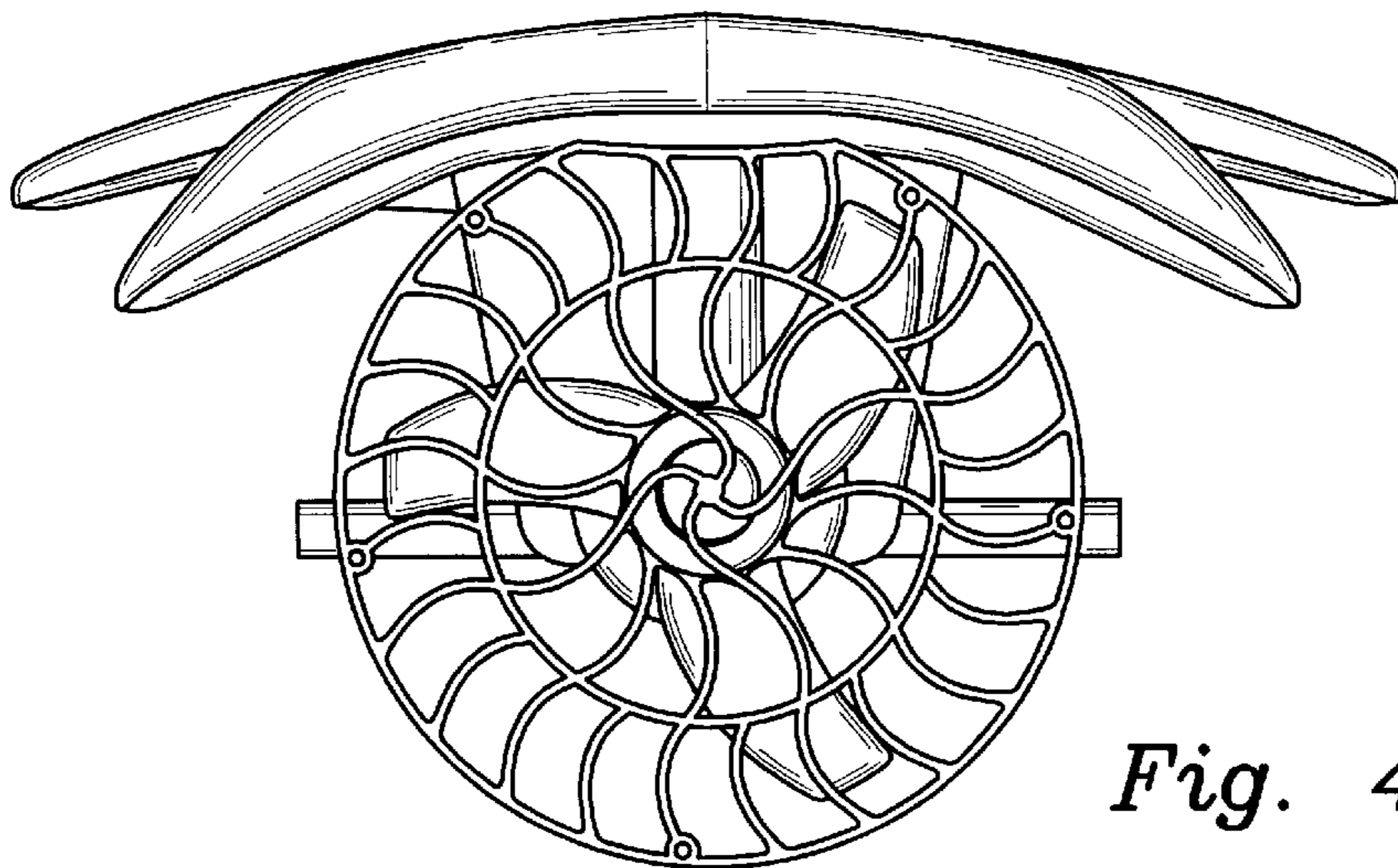
*Fig. 1*



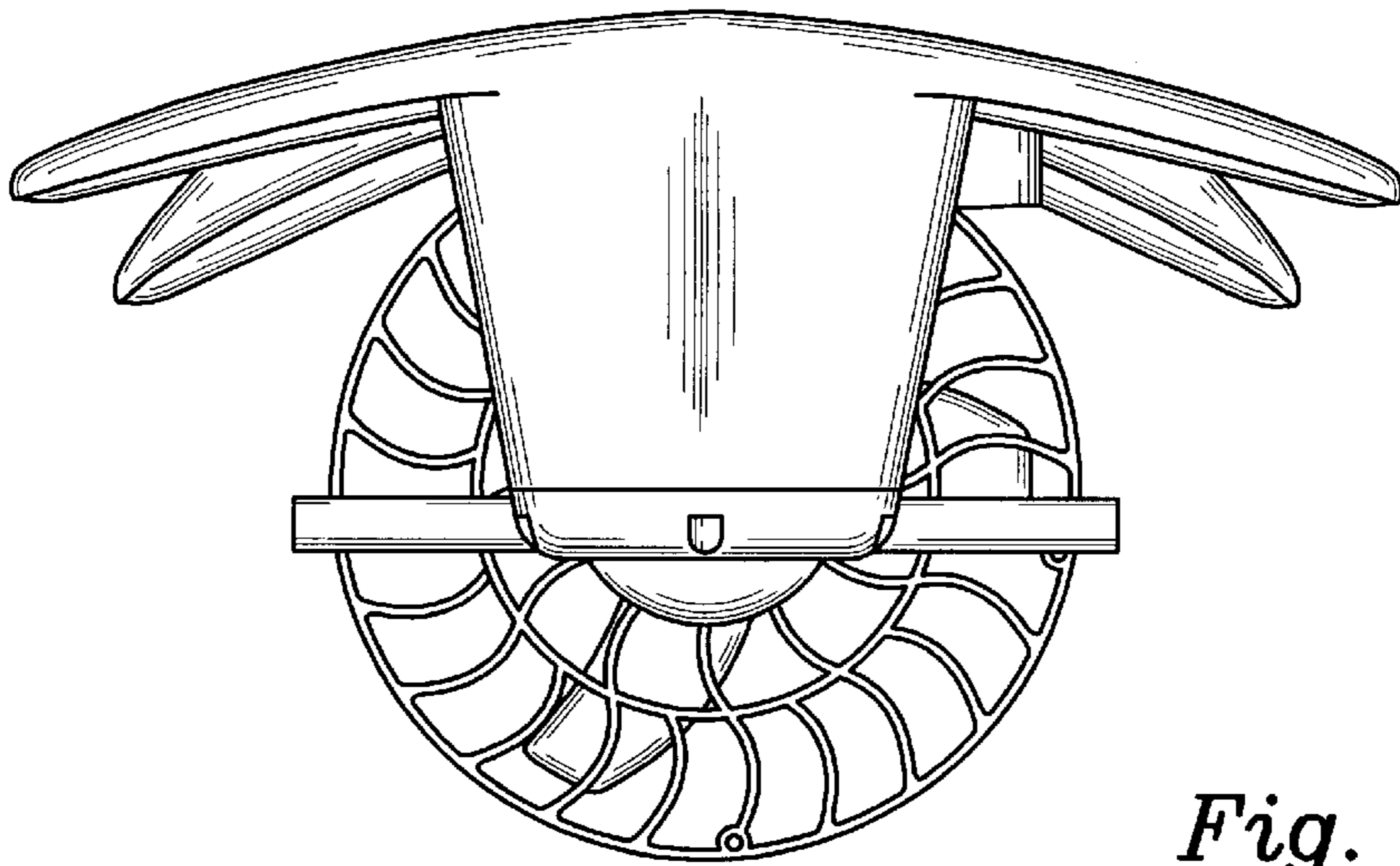
*Fig. 2*



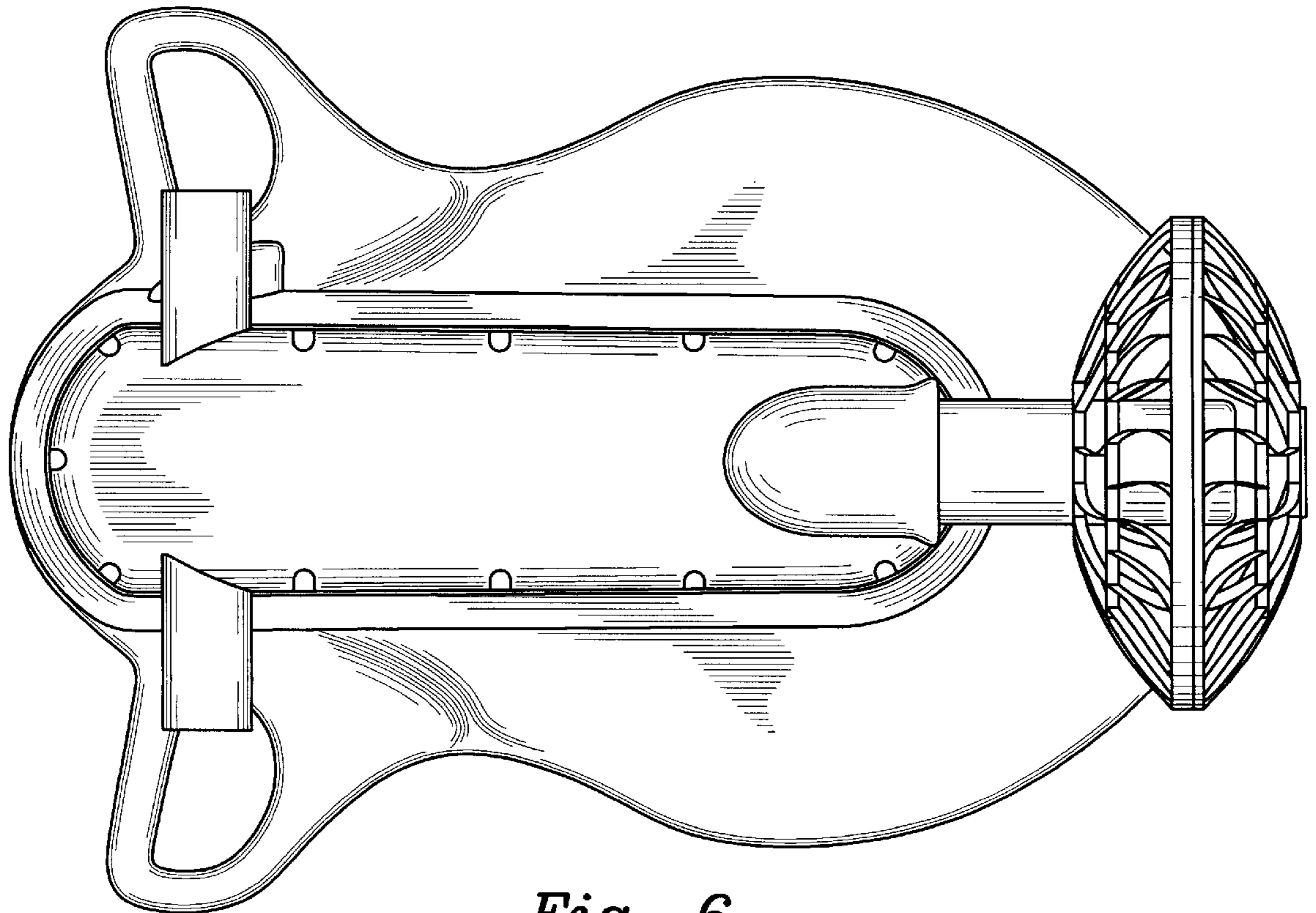
*Fig. 3*



*Fig. 4*



*Fig. 5*



*Fig. 6*