



US00D449865B1

(12) **United States Design Patent**
Fife, Jr. et al.

(10) **Patent No.:** **US D449,865 S**
(45) **Date of Patent:** **** Oct. 30, 2001**

(54) **GOLF PUTTER HEAD**

(75) Inventors: **John P. Fife, Jr.**, Phoenix; **Michael R. Nicolette**, Cave Creek; **James Wells**, Phoenix, all of AZ (US)

(73) Assignee: **Karsten Manufacturing Corporation**, Phoenix, AZ (US)

(**) Term: **14 Years**

(21) Appl. No.: **29/135,995**

(22) Filed: **Jan. 23, 2001**

(51) **LOC (7) Cl.** **21-02**

(52) **U.S. Cl.** **D21/736**

(58) **Field of Search** D21/736-746;
473/324, 327-329, 340, 341, 251-256

(56) **References Cited**

U.S. PATENT DOCUMENTS

D. 239,402	3/1976	Kindred	D34/56 H
D. 291,343	8/1987	Shearer	D21/219
D. 310,699	9/1990	Parente et al.	D21/219
D. 318,088	7/1991	Antonious	D21/219
D. 322,650	12/1991	Shearer	D21/219
D. 328,114	7/1992	Antonious	D21/217
D. 375,988	* 11/1996	Phillips	D21/743
D. 404,779	1/1999	Knox	D21/733
D. 405,836	* 2/1999	Nicolette et al.	D21/736
D. 411,271	* 6/1999	Nelson	D21/738

* cited by examiner

Primary Examiner—Mitchell Siegel

(74) *Attorney, Agent, or Firm*—Darrell F. Marquette

(57) **CLAIM**

We claim the ornamental design for a golf putter head, as shown and described.

DESCRIPTION

FIG. 1 is perspective view of a golf putter head showing one embodiment of our new design;

FIG. 2 is a heel end view of the golf putter head shown in FIG. 1;

FIG. 3 is a toe end view of the golf putter head shown in FIG. 1;

FIG. 4 is a top plan view of the golf putter head shown in FIG. 1;

FIG. 5 is a bottom view of a golf putter head shown in FIG. 1;

FIG. 6 is a rear elevational view of the golf putter head shown in FIG. 1;

FIG. 7 is a front elevational view of the golf putter head shown in FIG. 1;

FIG. 8 is perspective view of a golf putter head showing another embodiment of our new design;

FIG. 9 is a heel end view of the golf putter head shown in FIG. 8;

FIG. 10 is a toe end view of the golf putter head shown in FIG. 8;

FIG. 11 is a top plan view of the golf putter head shown in FIG. 8;

FIG. 12 is a bottom view of a golf putter head shown in FIG. 8;

FIG. 13 is a rear elevational view of the golf putter head shown in FIG. 8;

FIG. 14 is a front elevational view of the golf putter head shown in FIG. 8;

FIG. 15 is perspective view of a golf putter head showing a further embodiment of our new design;

FIG. 16 is a heel end view of the golf putter head shown in FIG. 15;

FIG. 17 is a toe end view of the golf putter head shown in FIG. 15;

FIG. 18 is a top plan view of the golf putter head shown in FIG. 15;

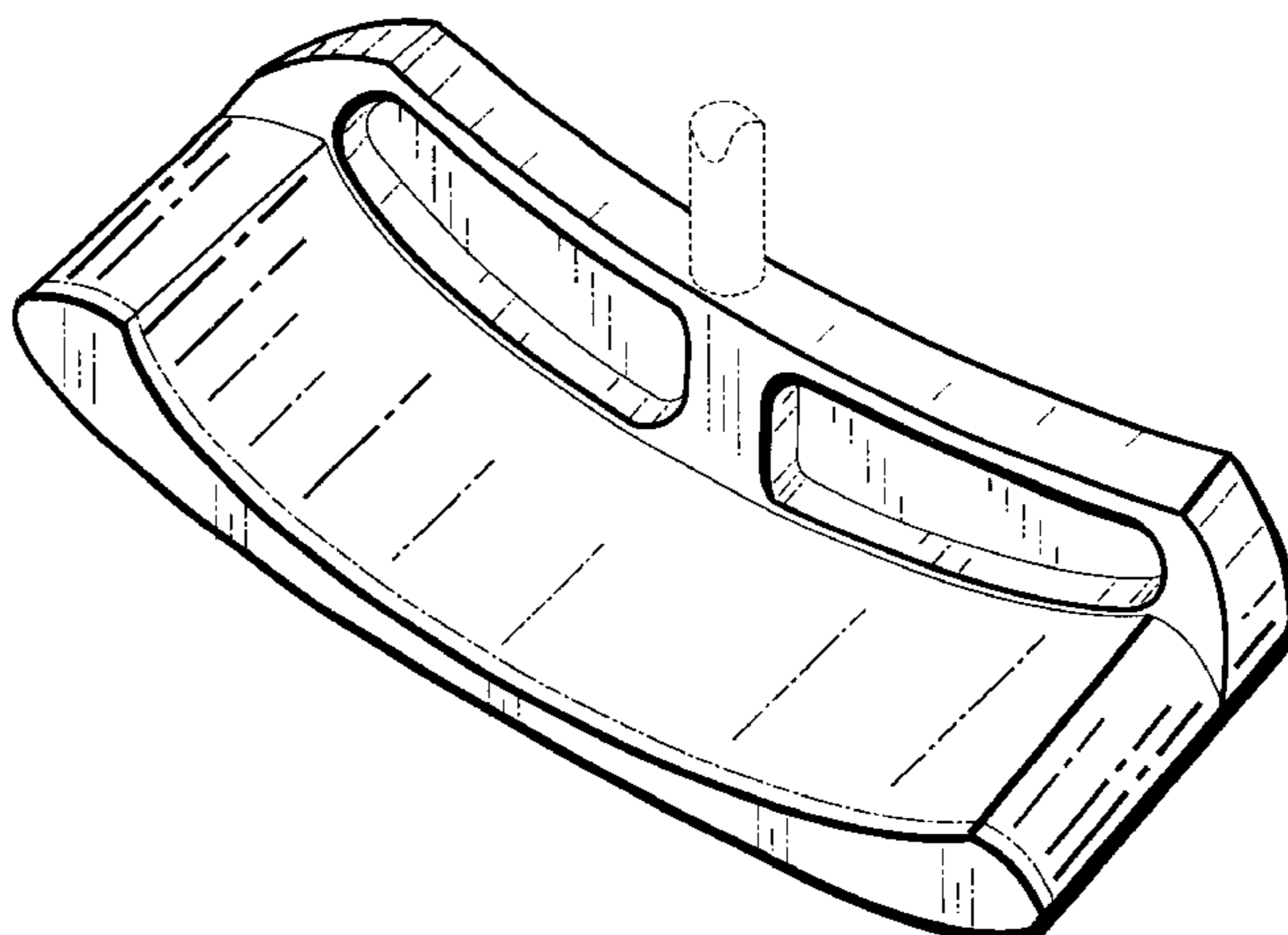
FIG. 19 is a bottom view of a golf putter head shown in FIG. 15;

FIG. 20 is a rear elevational view of the golf putter head shown in FIG. 15; and,

FIG. 21 is a front elevational view of the golf putter head shown in FIG. 15.

The broken line showing is for illustrative purposes only and forms no part of the claimed design.

1 Claim, 6 Drawing Sheets



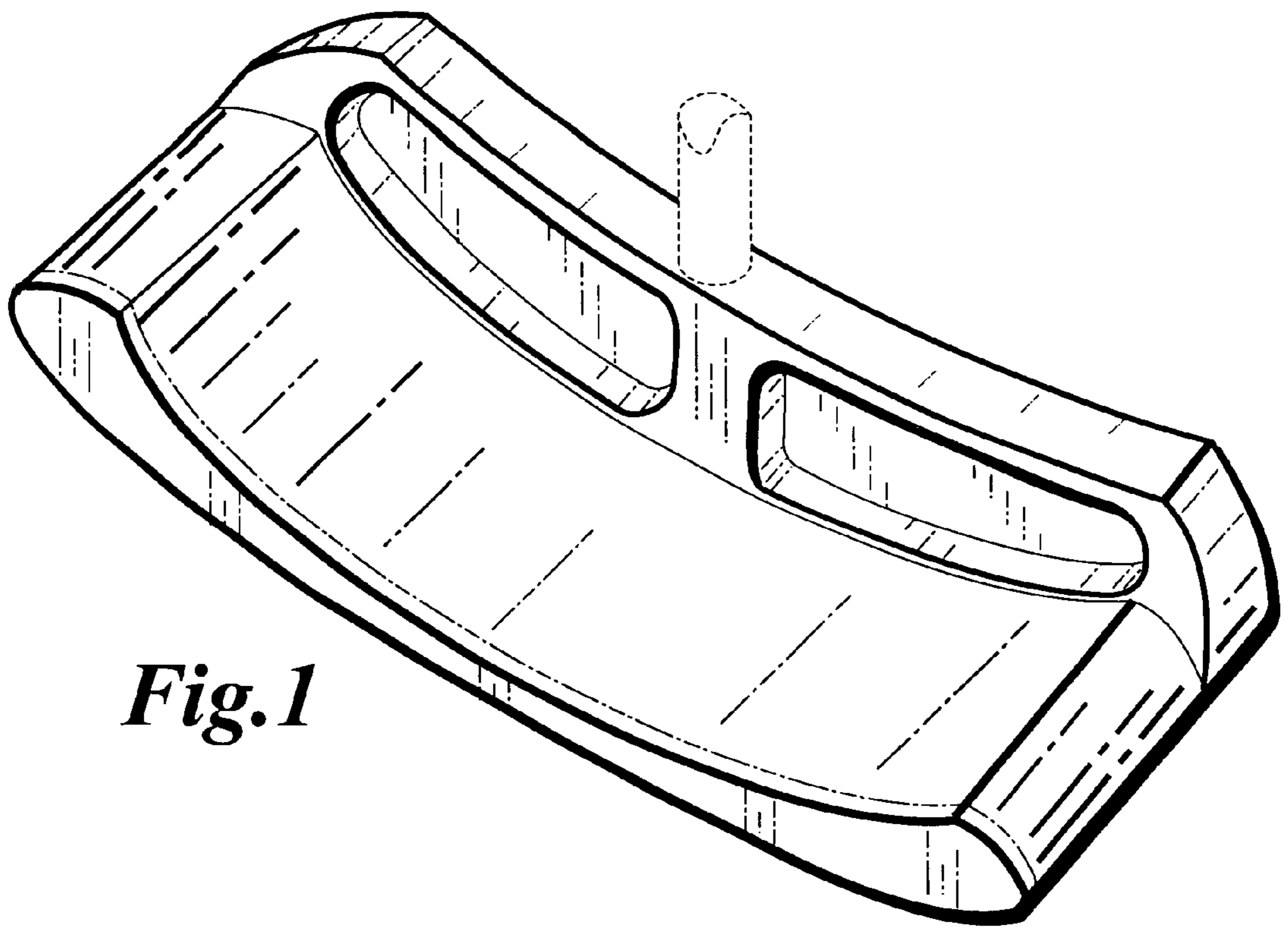


Fig. 1

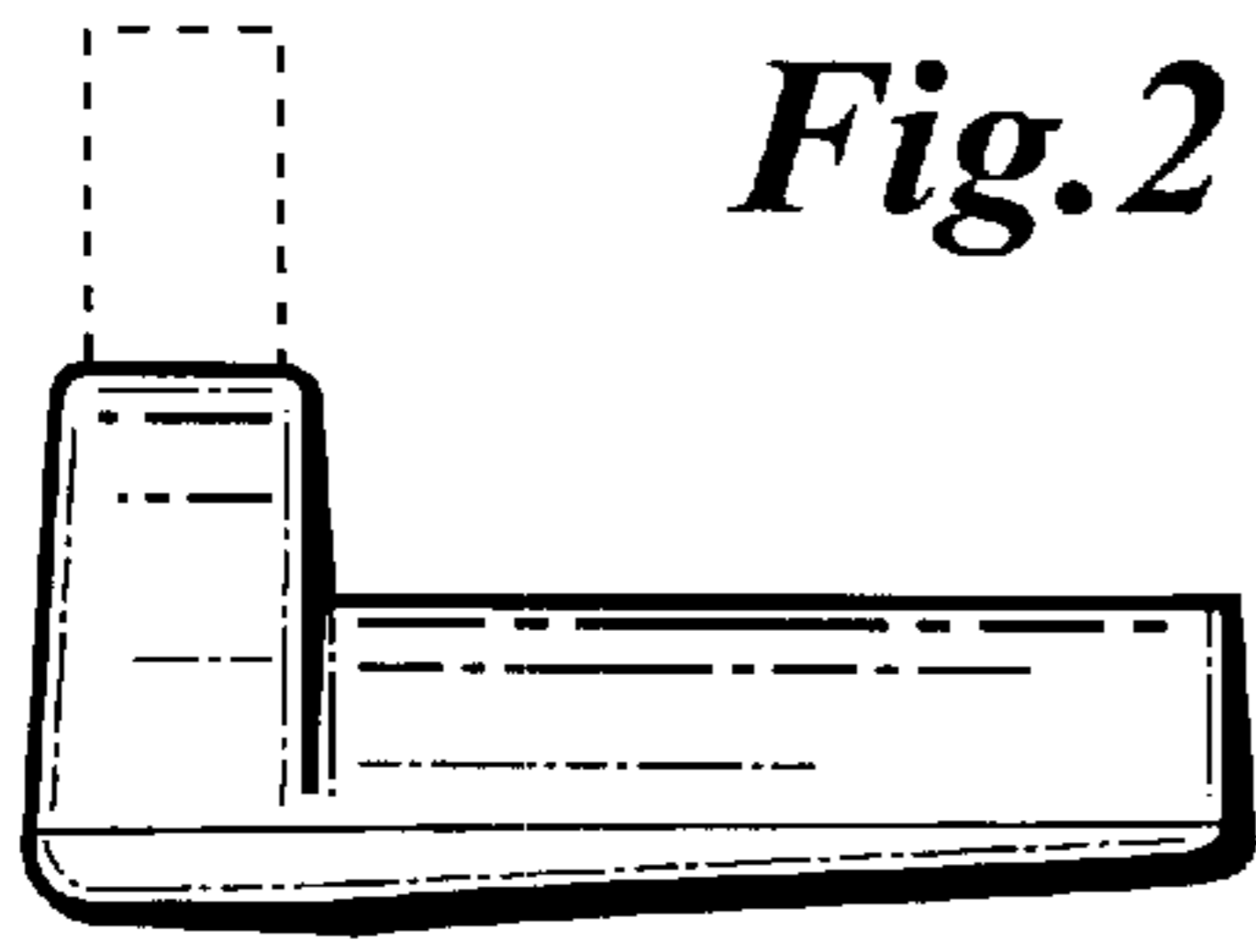


Fig. 2

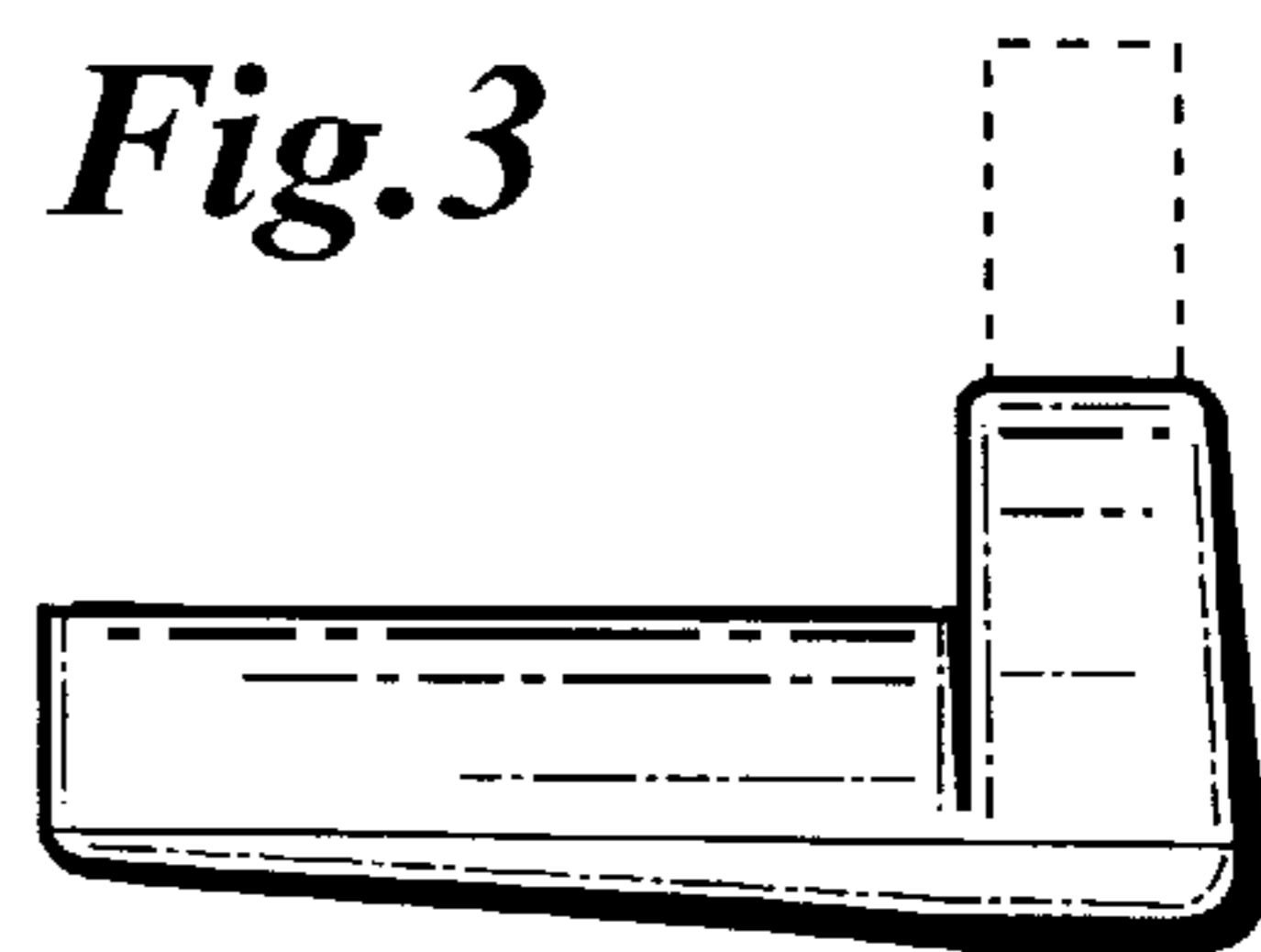


Fig. 3

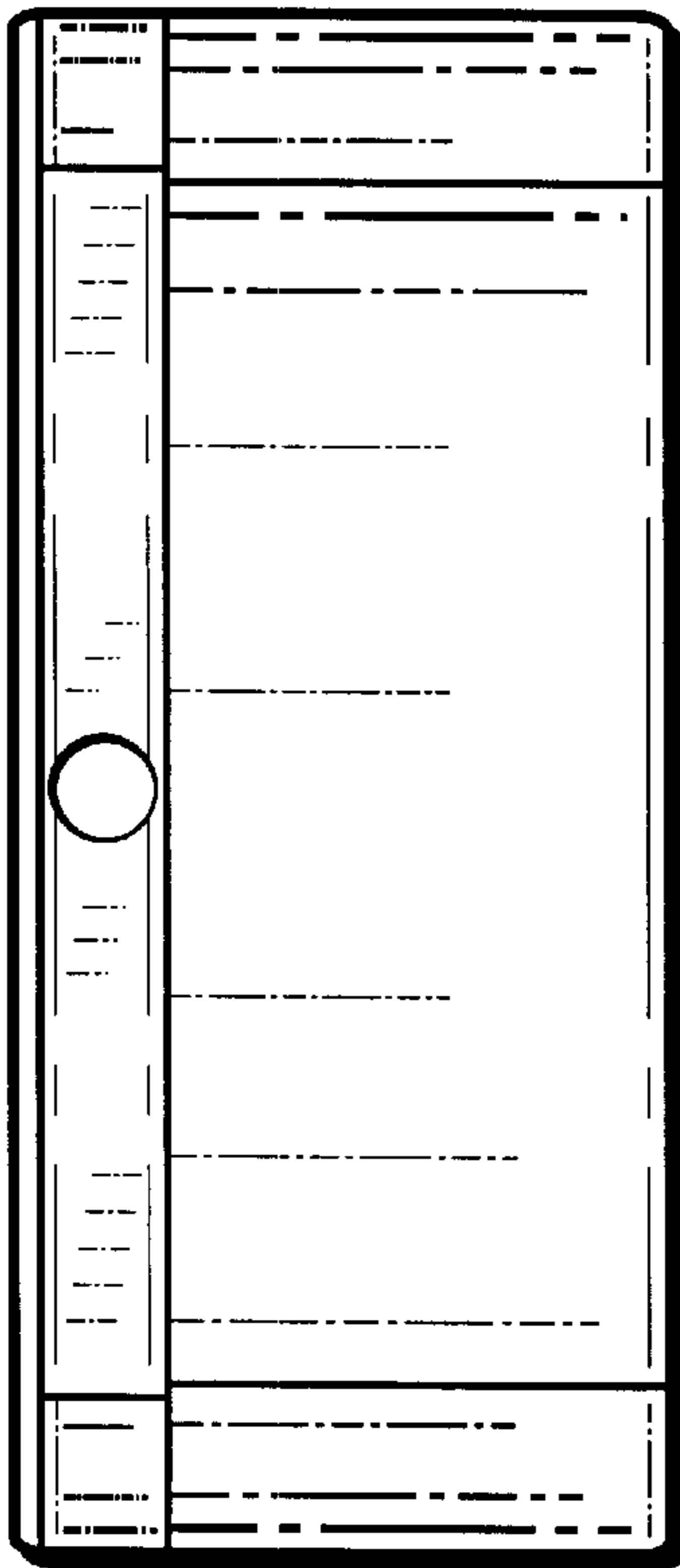


Fig. 4

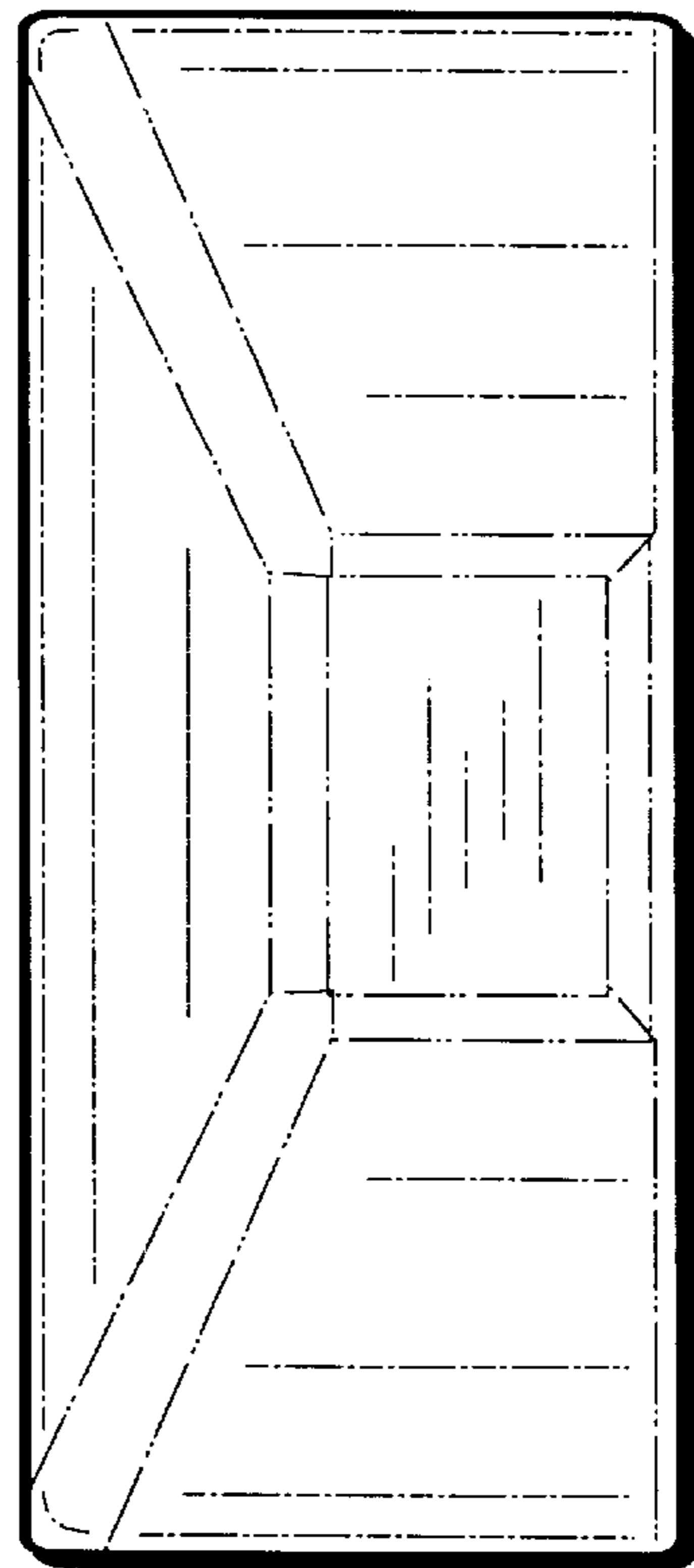


Fig. 5

Fig. 6

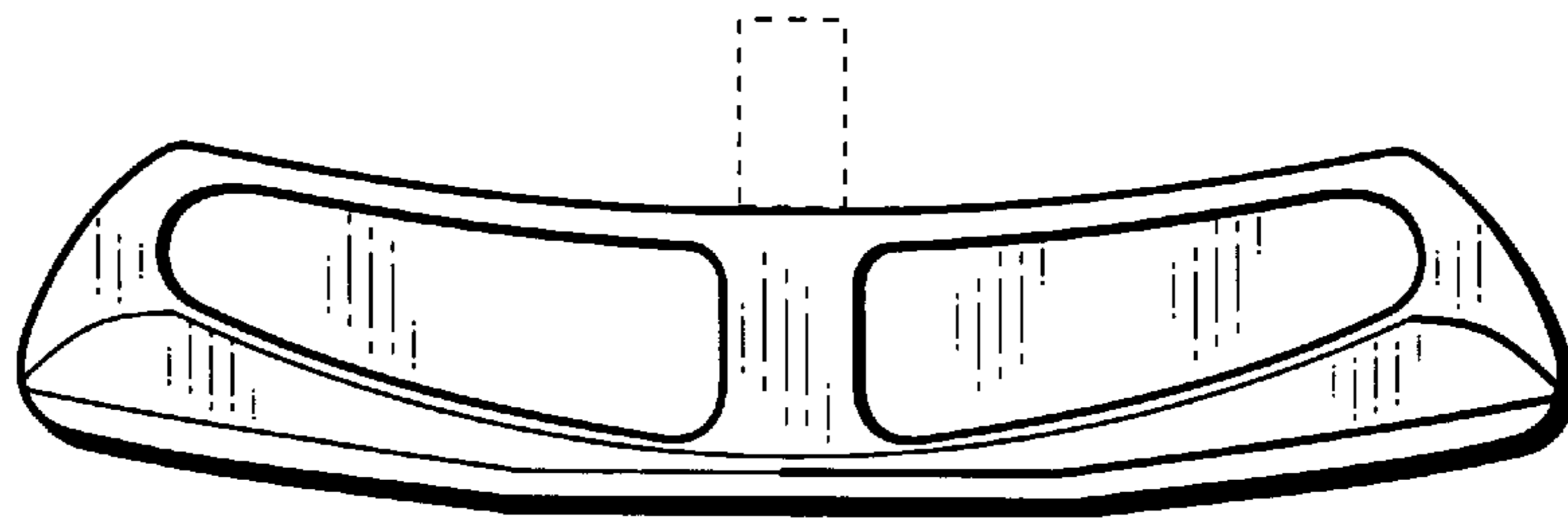
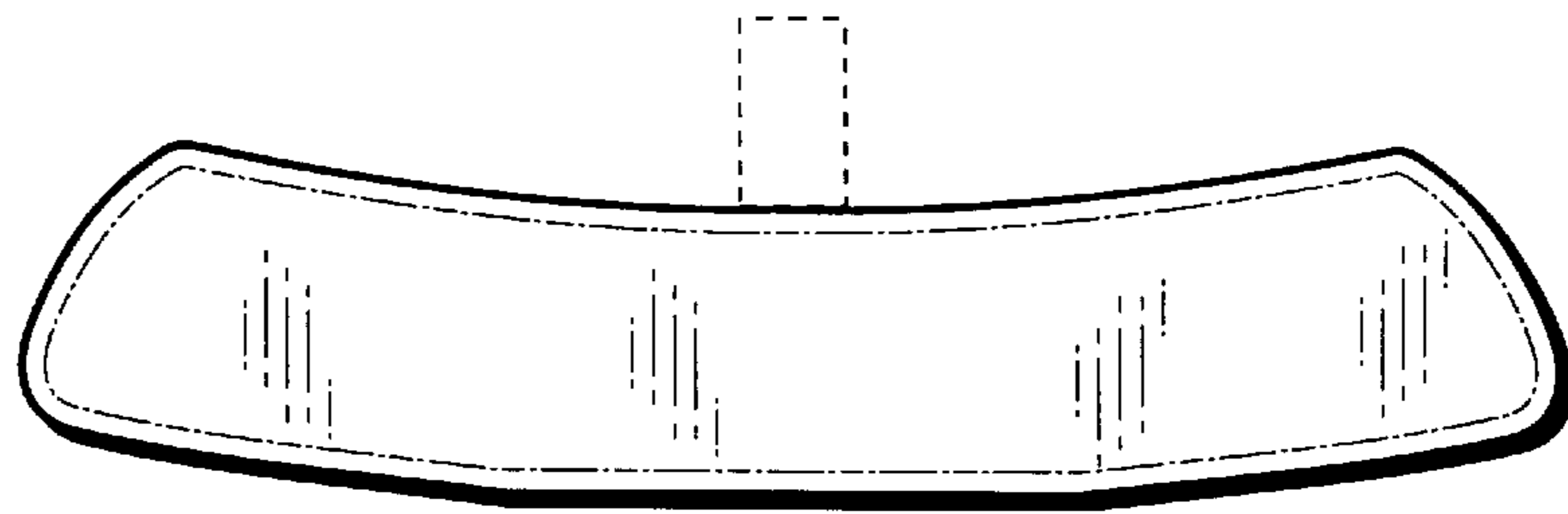


Fig. 7



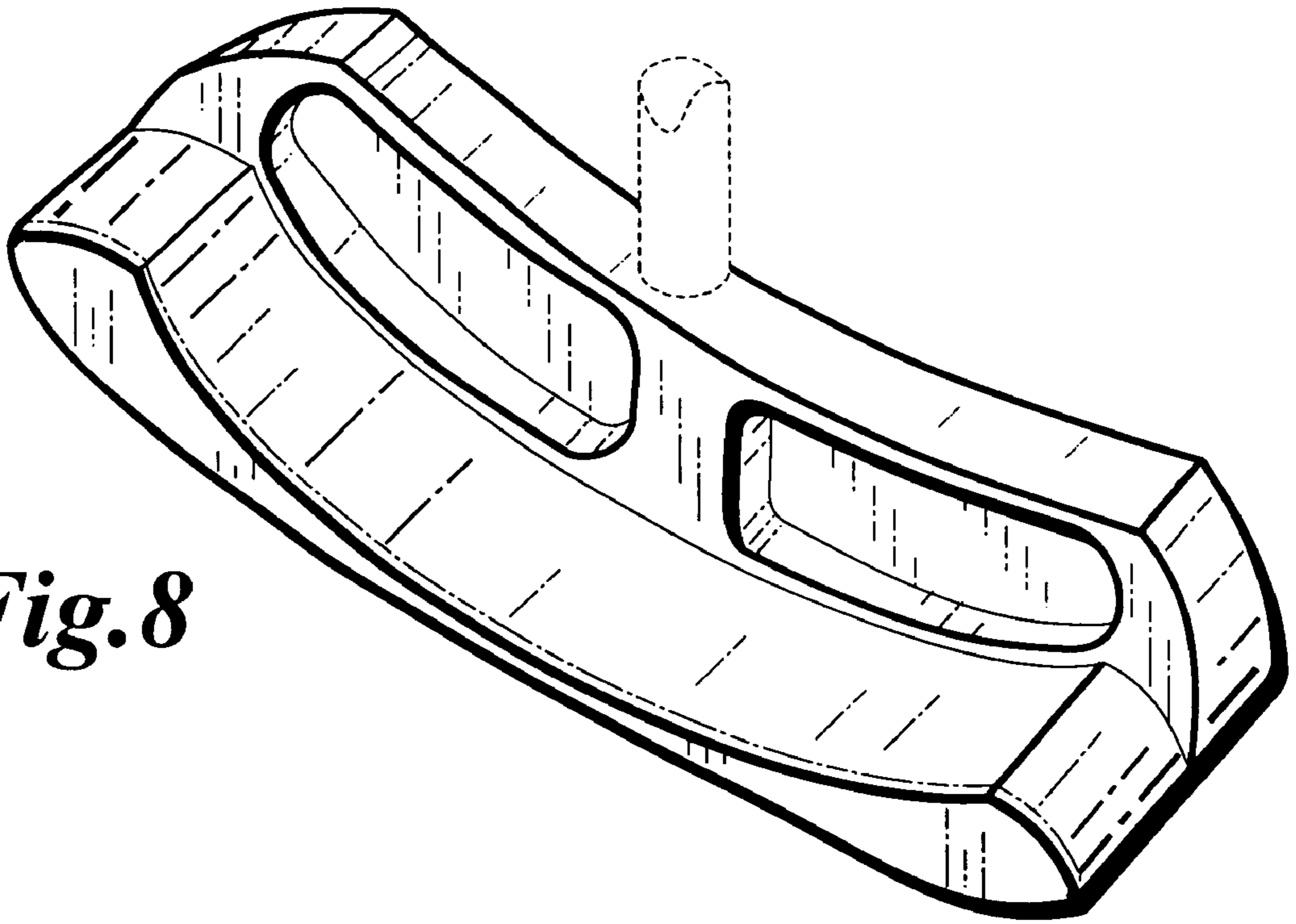


Fig. 8

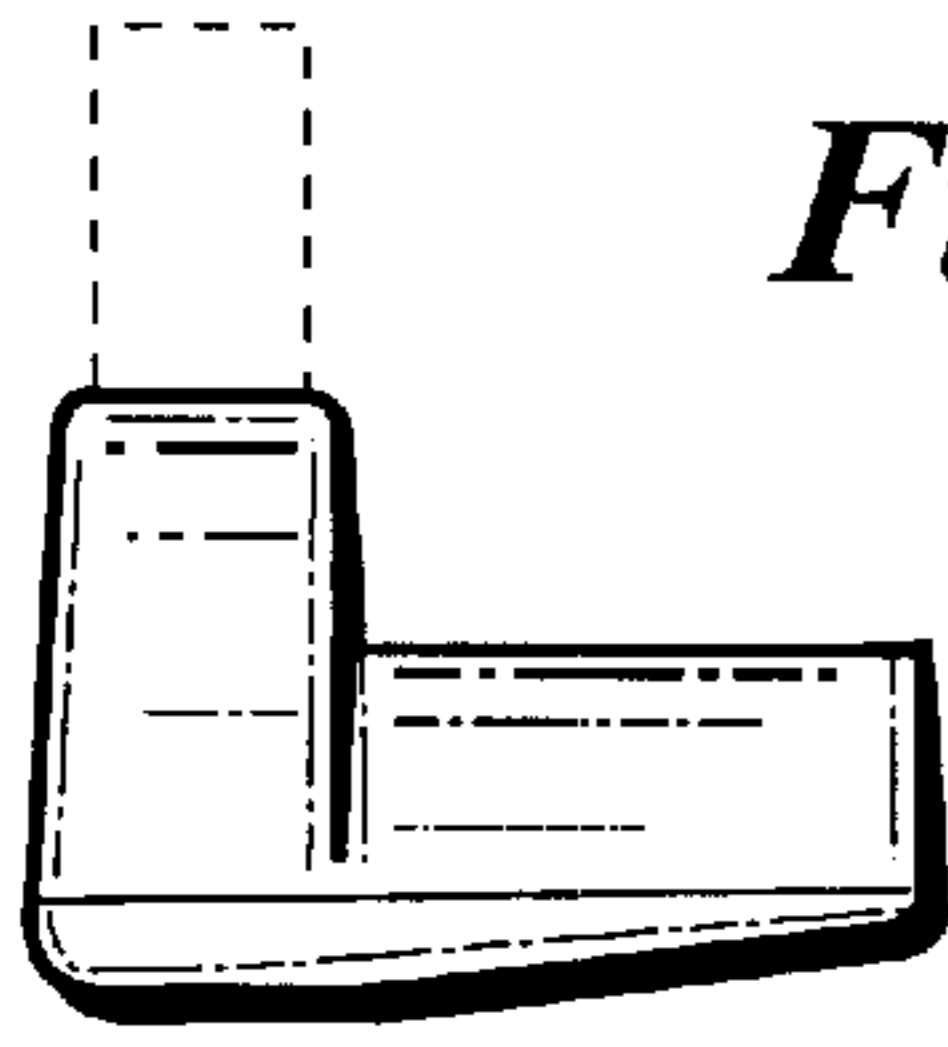


Fig. 9

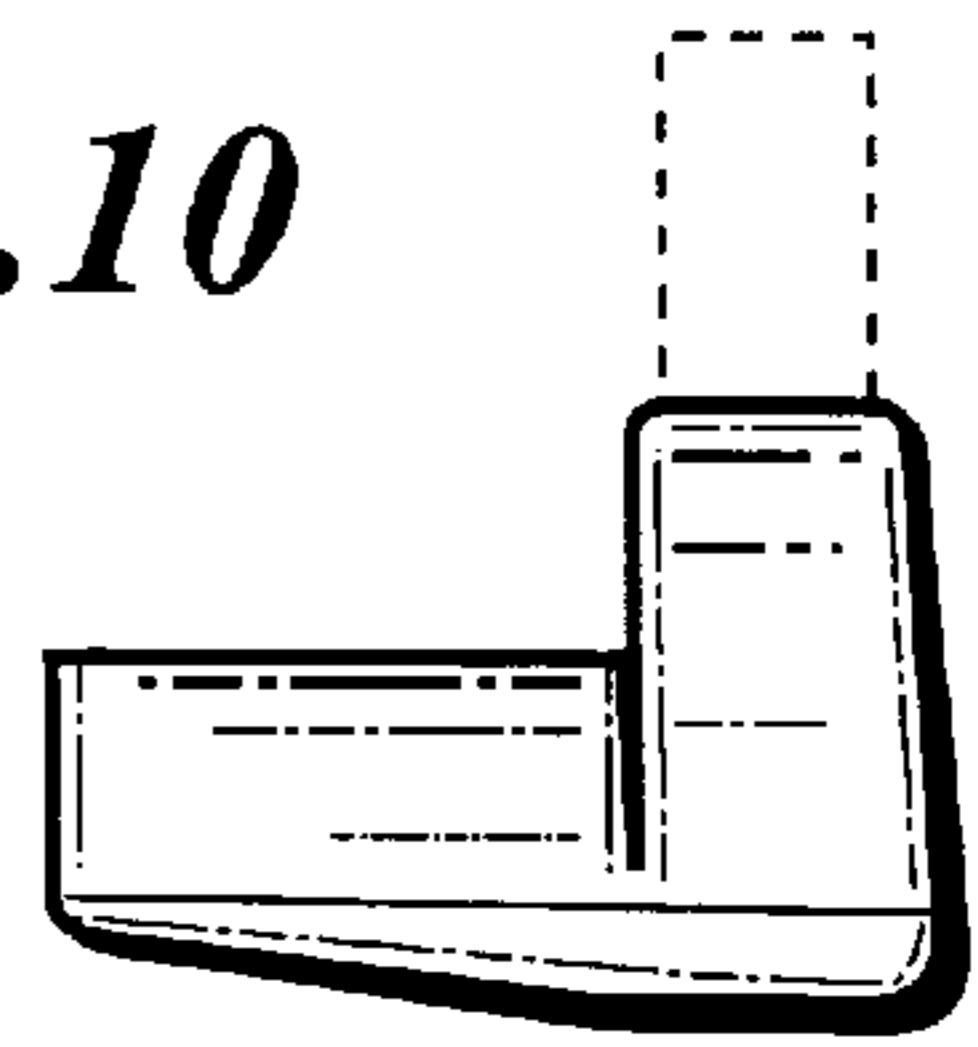


Fig. 10

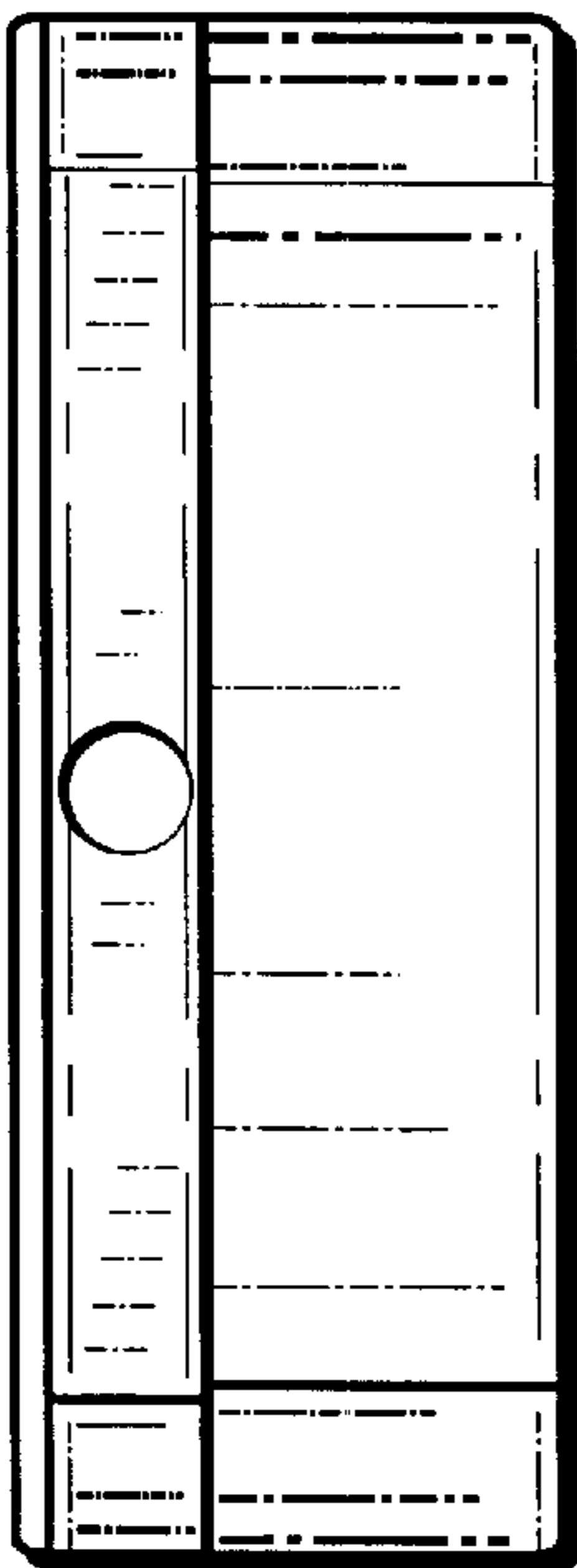


Fig. 11

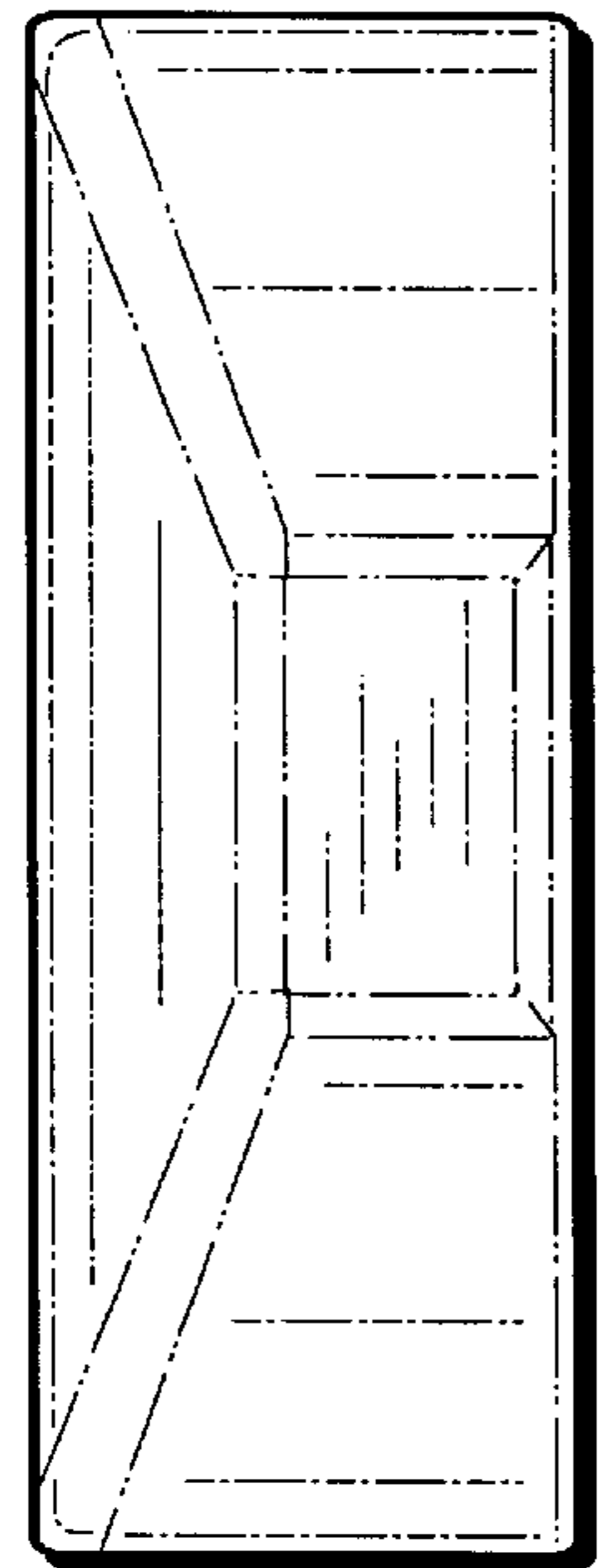


Fig. 12

Fig. 13

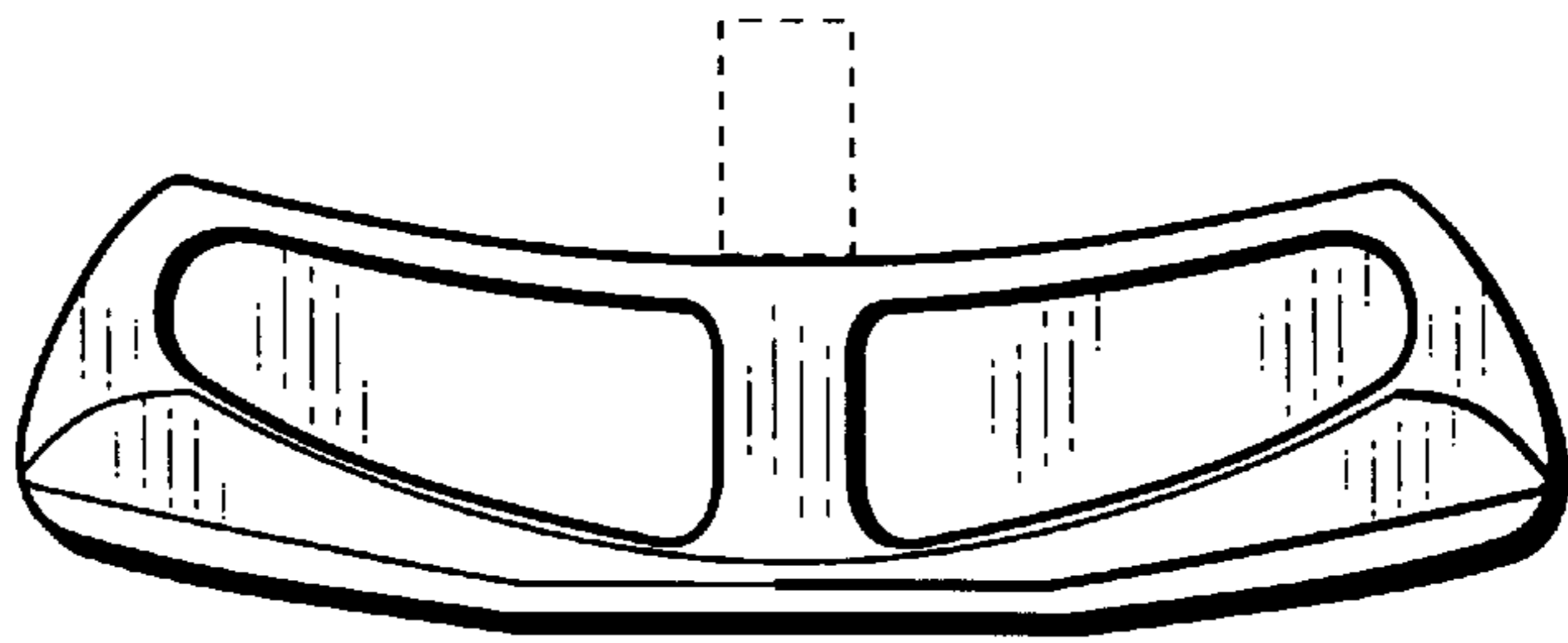
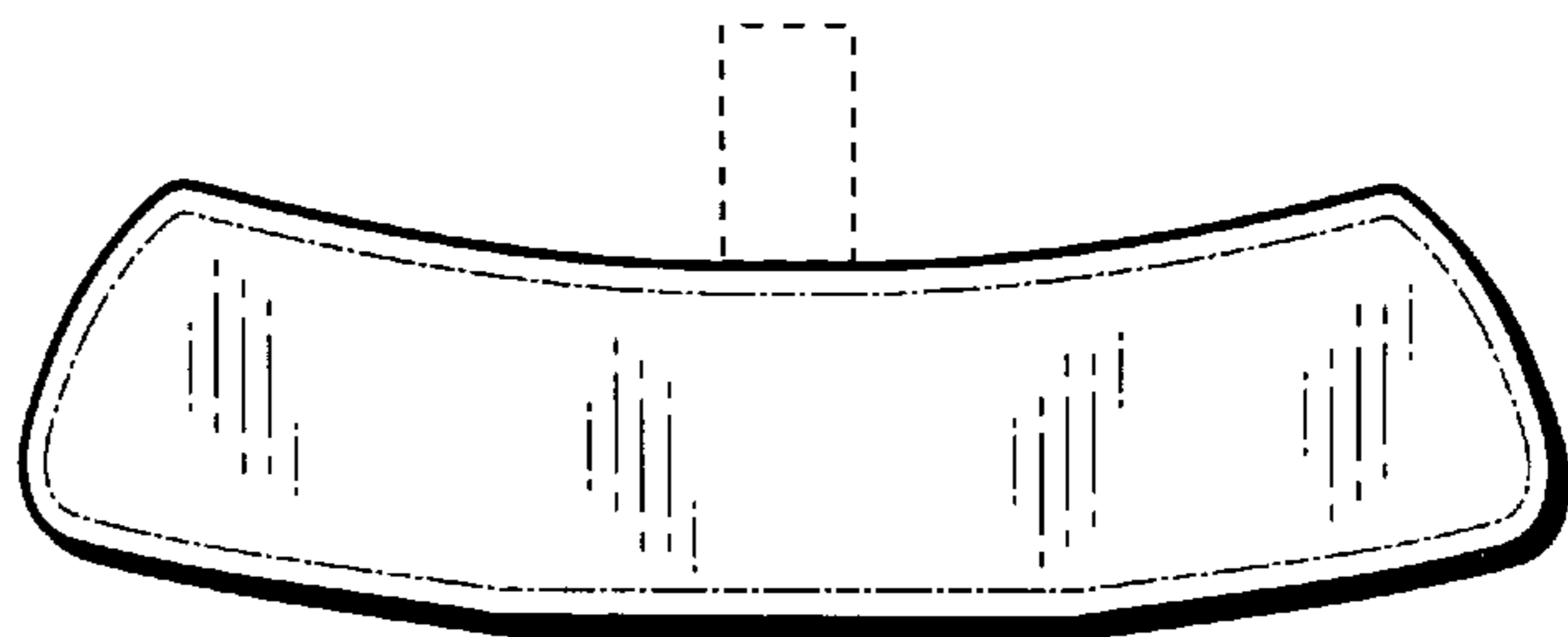


Fig. 14



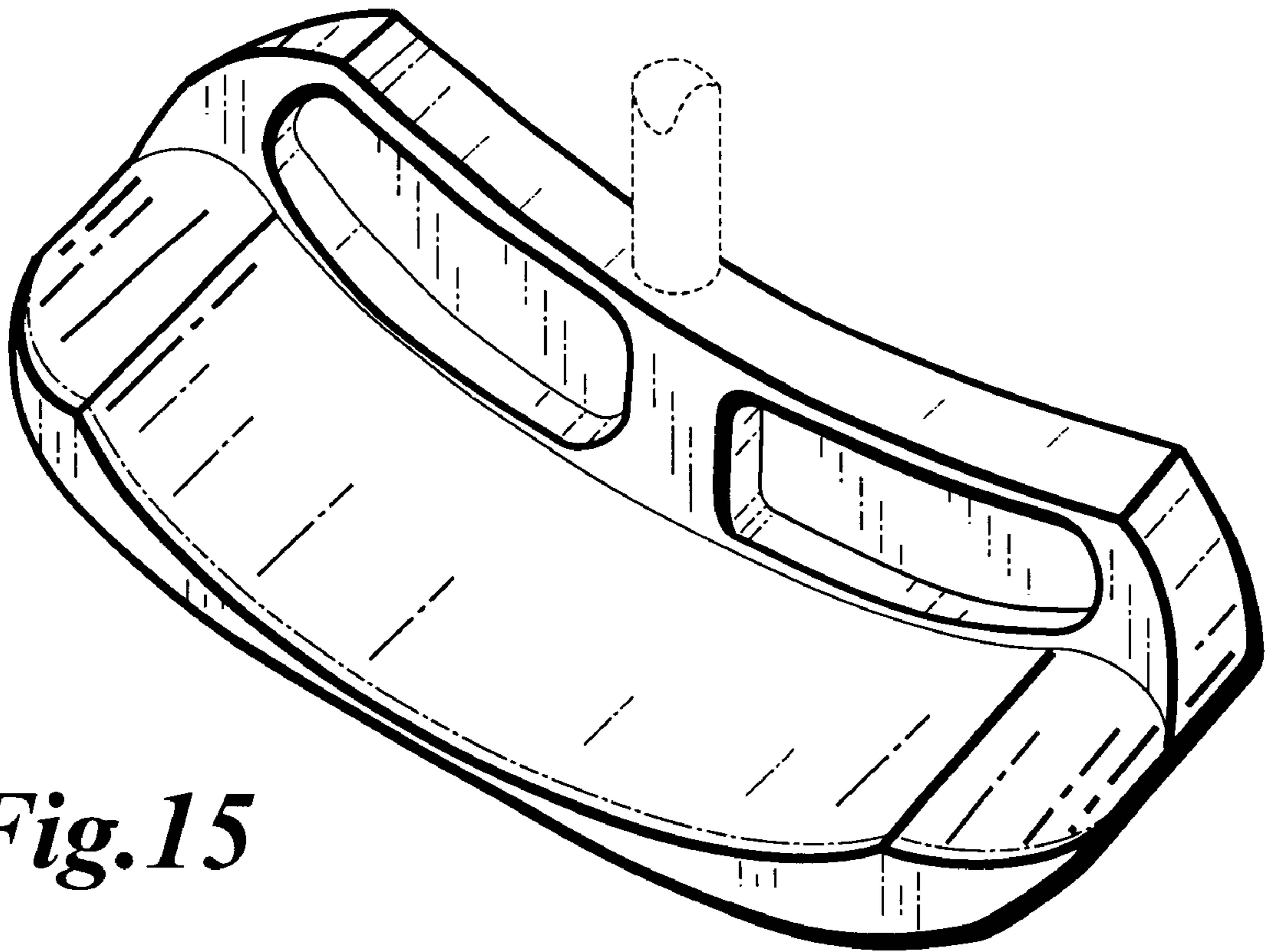


Fig. 15

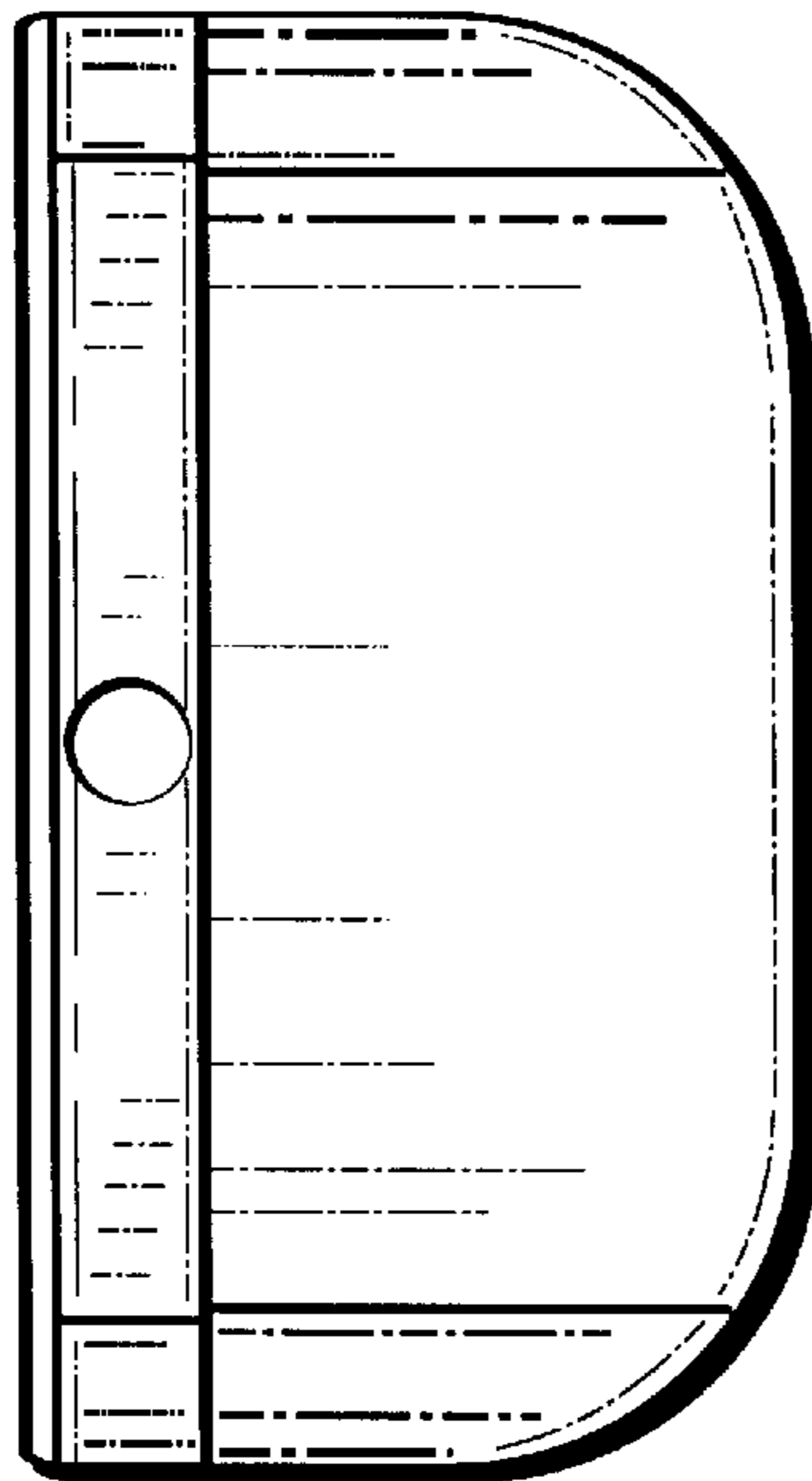
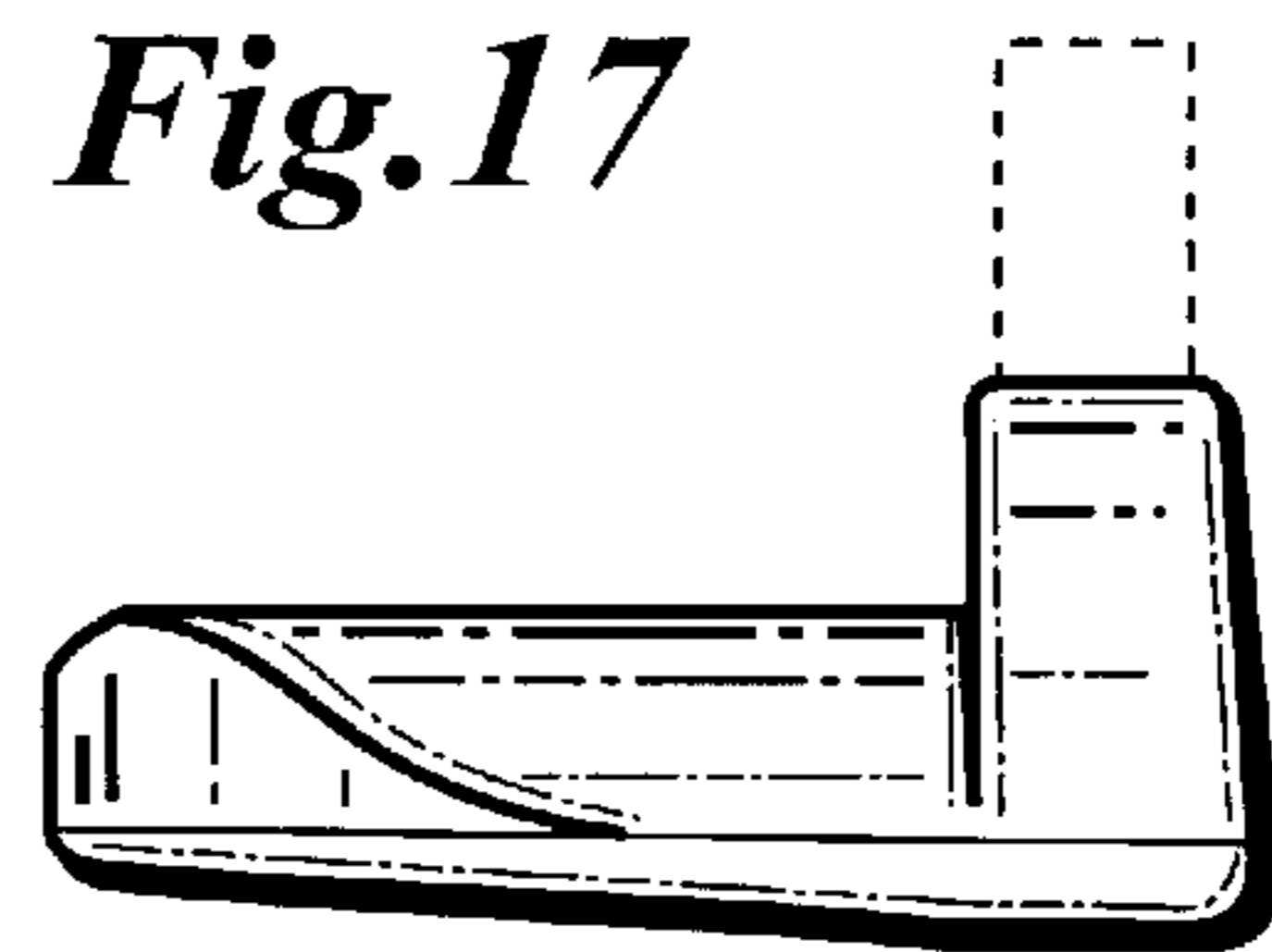
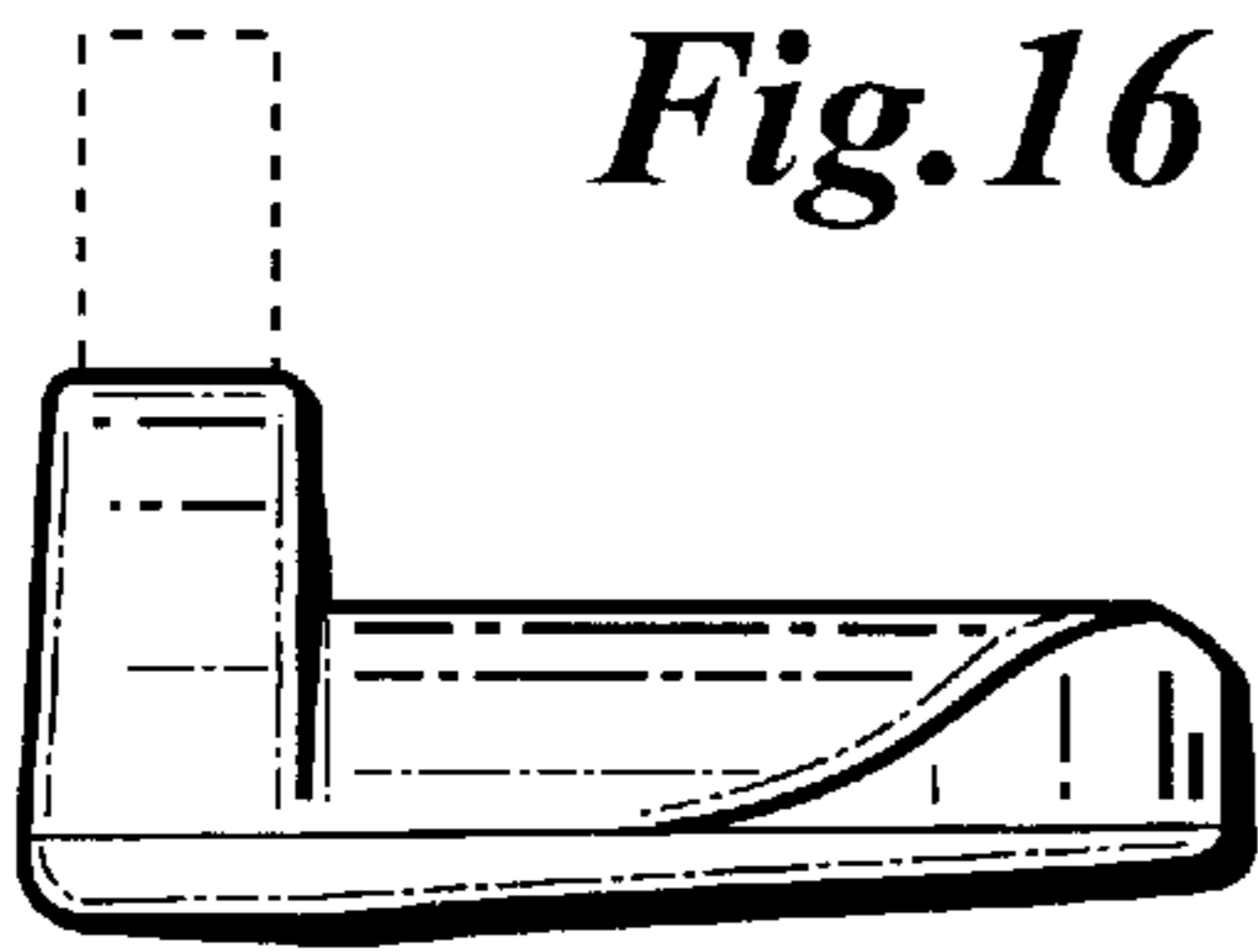


Fig18

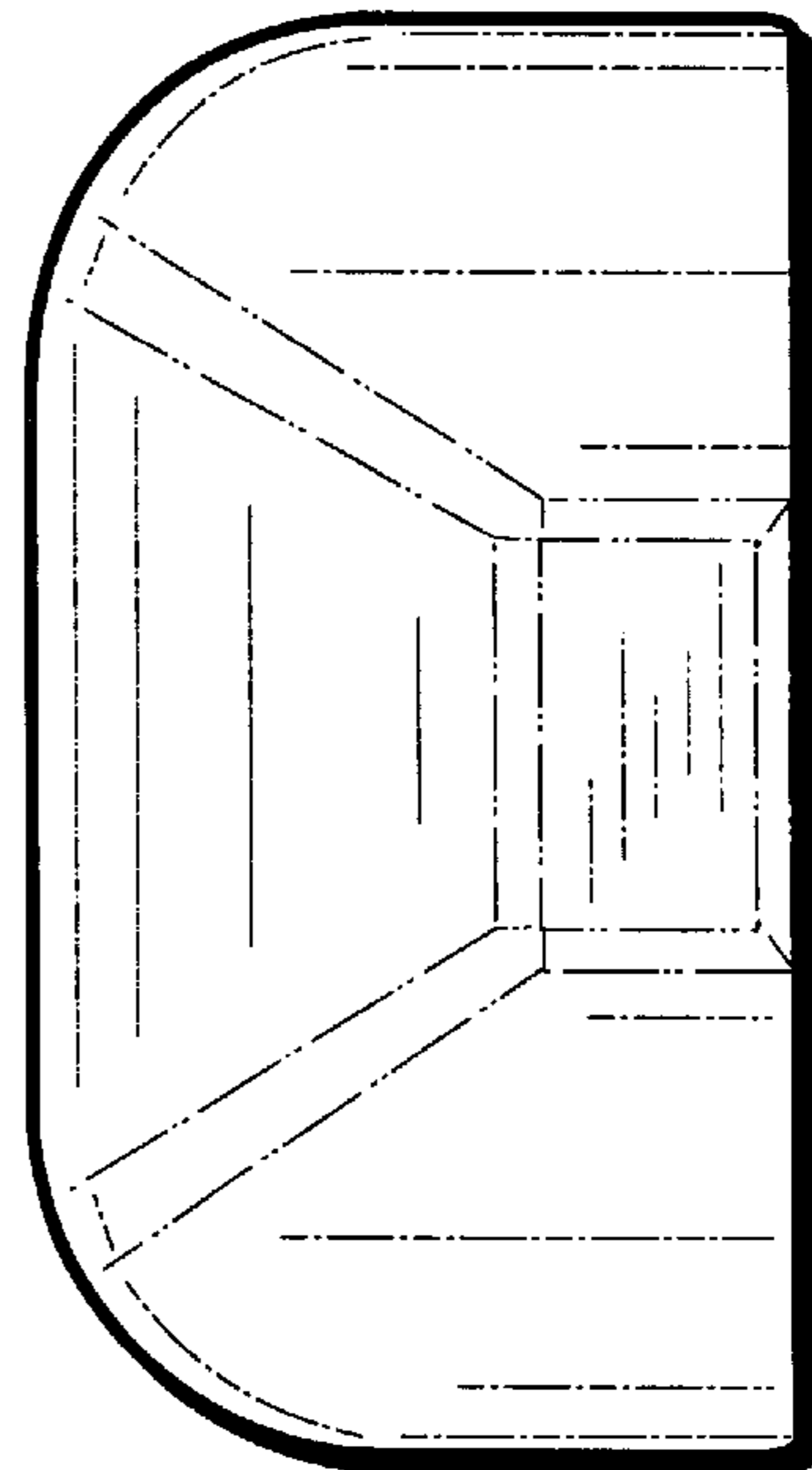


Fig.19

Fig.20

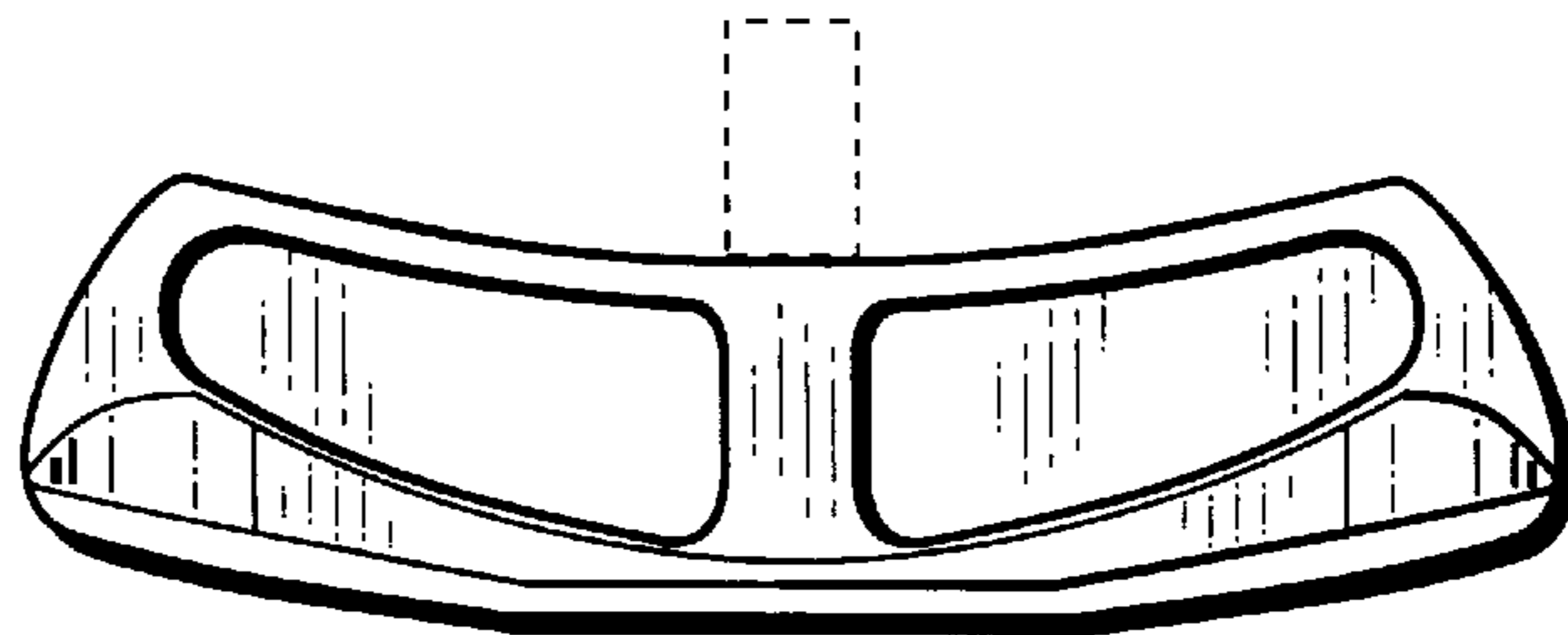


Fig.21

