



US00D449863B1

(12) **United States Design Patent**
Kinde

(10) **Patent No.:** **US D449,863 S**

(45) **Date of Patent:** **** Oct. 30, 2001**

(54) **WATER FILLED BARBELL**

(76) Inventor: **Kenneth Kinde**, 3787 Carlton, Barnum,
MN (US) 55707

(**) Term: **14 Years**

(21) Appl. No.: **29/135,141**

(22) Filed: **Jan. 8, 2001**

(51) **LOC (7) Cl.** **21-02**

(52) **U.S. Cl.** **D21/682; D21/681**

(58) **Field of Search** D21/680, 681,
D21/682, 683, 684, 662, 678; 482/104,
105, 106, 108, 109, 111

(56) **References Cited**

U.S. PATENT DOCUMENTS

D. 297,962	*	10/1988	Wu	D21/682
D. 339,839	*	9/1993	Day	D21/681
D. 380,511	*	7/1997	Anthony, Jr.	D21/681
D. 383,815	*	9/1997	Isaacson	D21/678
D. 384,713	*	10/1997	Eckman	D21/682

4,103,887	8/1978	Shoofler	482/106
4,357,009	11/1982	Baker	482/105
5,171,199	* 12/1992	Panagos	482/106
5,445,587	* 8/1995	Brown	482/108
5,509,877	* 4/1996	Adams	482/108
5,967,952	10/1999	Bronsten et al.	482/111

* cited by examiner

Primary Examiner—Philip S. Hyder

(74) *Attorney, Agent, or Firm*—Goldstein Law Offices, P.C.

(57) **CLAIM**

The ornamental design for a water filled barbell, as shown and described.

DESCRIPTION

FIG. 1 is a front elevational view of a water filled barbell, the rear elevational view being a mirror image of the front view.

FIG. 2 is a top plan view thereof.

FIG. 3 is a bottom plan view thereof; and,

FIG. 4 is a left side elevational view thereof, the right side elevational view being a mirror image of the left side view.

1 Claim, 1 Drawing Sheet

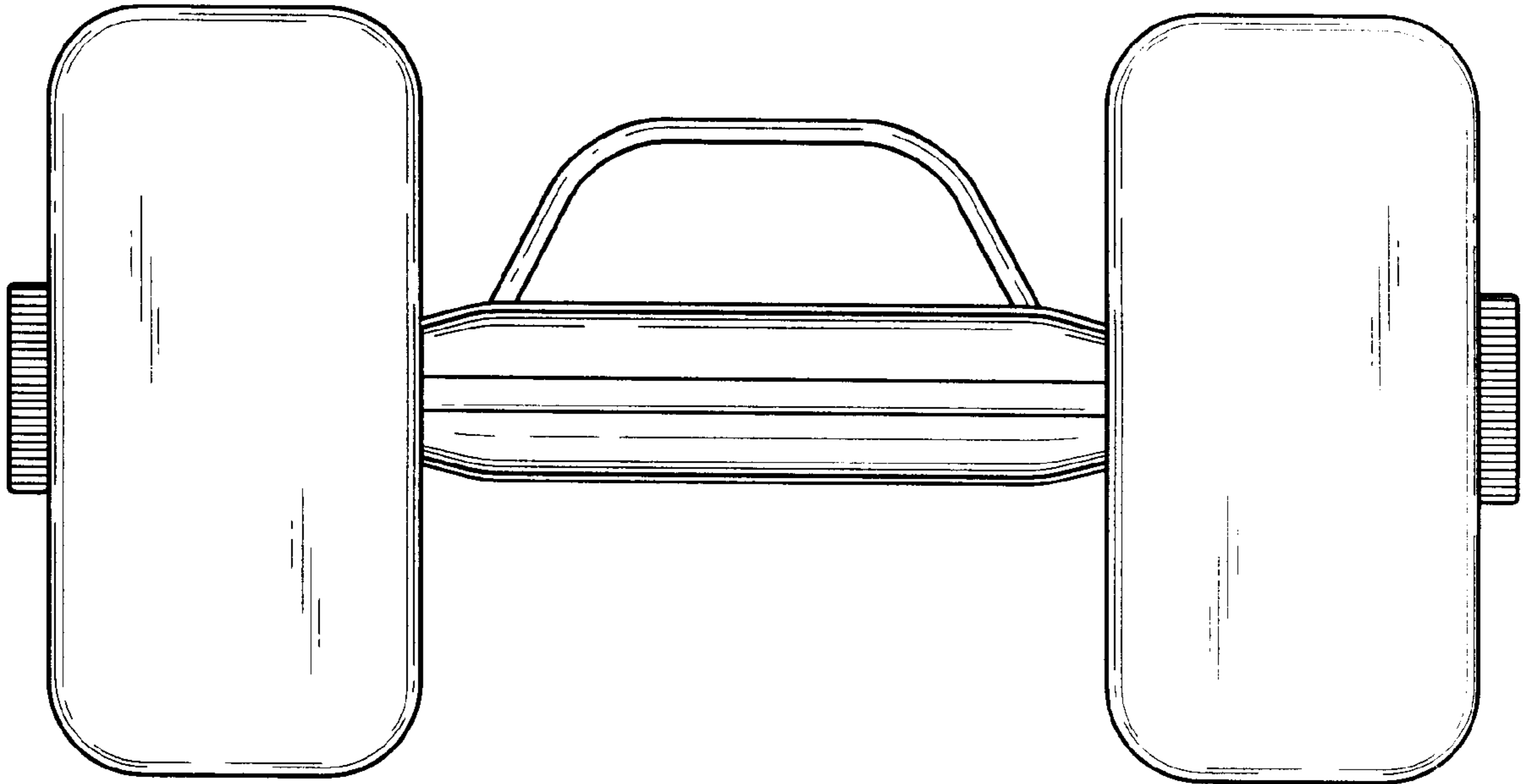


Fig. 1

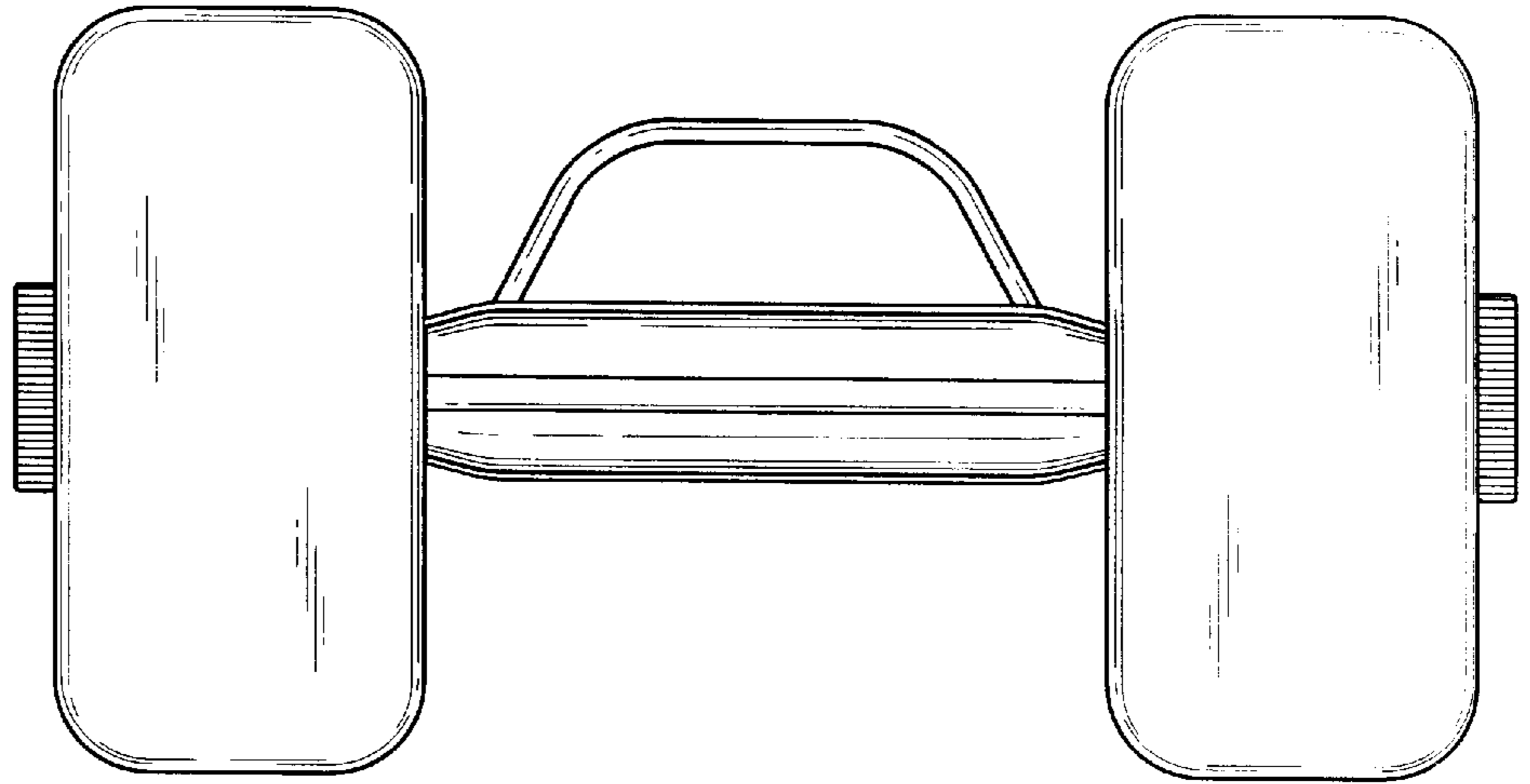


Fig. 2

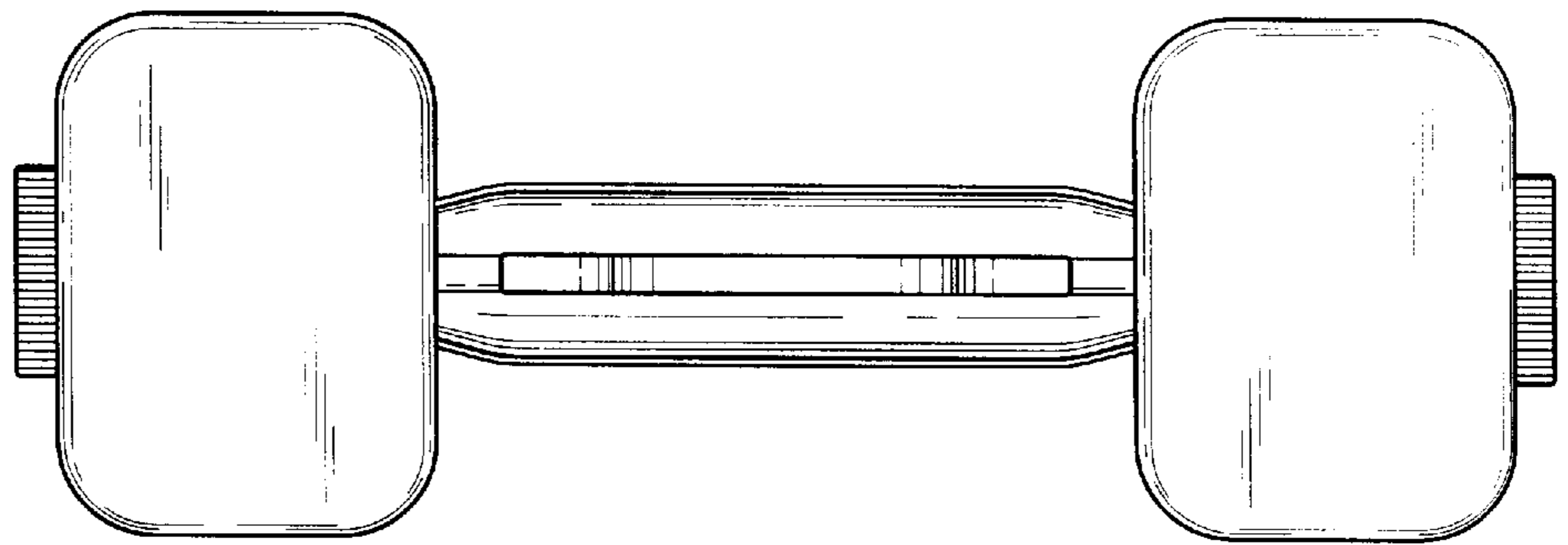


Fig. 3

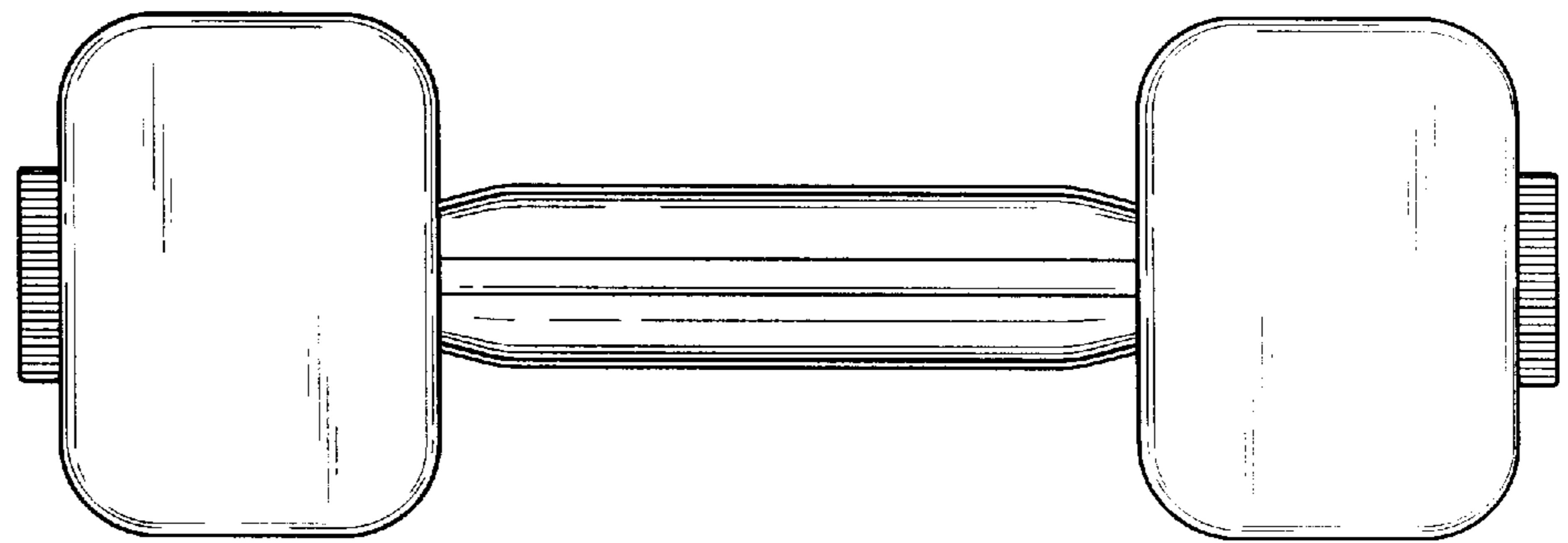


Fig. 4

