



US00D449860B1

(12) **United States Design Patent**  
**Lin**

(10) **Patent No.:** **US D449,860 S**

(45) **Date of Patent:** **\*\* Oct. 30, 2001**

(54) **ELECTRIC SCOOTER**

(76) **Inventor:** **Tony Lin**, No. 21, Tzu-Chiang 3 Rd.,  
Nan-Kang Industrial Dist., Nantou (TW)

(\*\*) **Term:** **14 Years**

(21) **Appl. No.:** **29/137,546**

(22) **Filed:** **Feb. 26, 2001**

(51) **LOC (7) Cl.** ..... **21-01**

(52) **U.S. Cl.** ..... **D21/423**

(58) **Field of Search** ..... D21/419, 421,  
D21/423, 424, 426, 435, 533, 760, 765,  
771; D12/107, 110-112; 280/87.01, 87.04,  
87.041, 87.042, 87.05, 278, 287; 180/180,  
181, 216, 219

(56) **References Cited**

**U.S. PATENT DOCUMENTS**

D. 326,290 \* 5/1992 Badsey ..... D21/423  
D. 414,220 \* 9/1999 Catto ..... D21/423

D. 433,718 \* 11/2000 McGreen ..... D21/423  
4,842,091 \* 6/1989 Badsey ..... 180/181  
6,206,387 \* 3/2001 Tsai ..... 280/87.041

\* cited by examiner

*Primary Examiner*—Raphael Barkai

(74) *Attorney, Agent, or Firm*—Bacon & Thomas, PLLC

(57) **CLAIM**

The ornamental design for an electric scooter, as shown.

**DESCRIPTION**

FIG. 1 is a perspective view of an electric scooter showing my new design;

FIG. 2 is a front elevational view thereof;

FIG. 3 is a rear elevational view thereof;

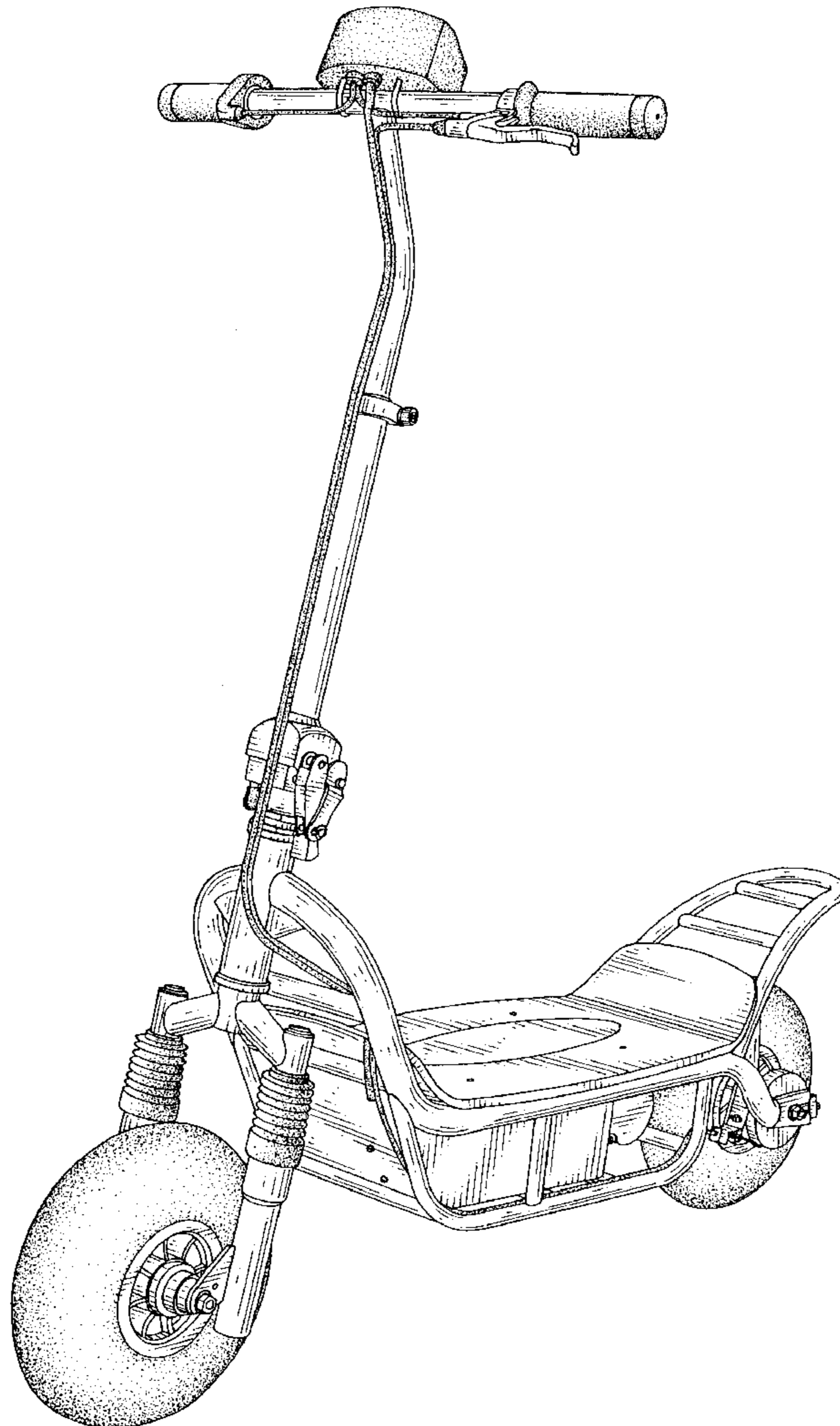
FIG. 4 is a left side view thereof;

FIG. 5 is a right side view thereof;

FIG. 6 is a top plain view thereof; and,

FIG. 7 is a bottom plain view thereof.

**1 Claim, 5 Drawing Sheets**



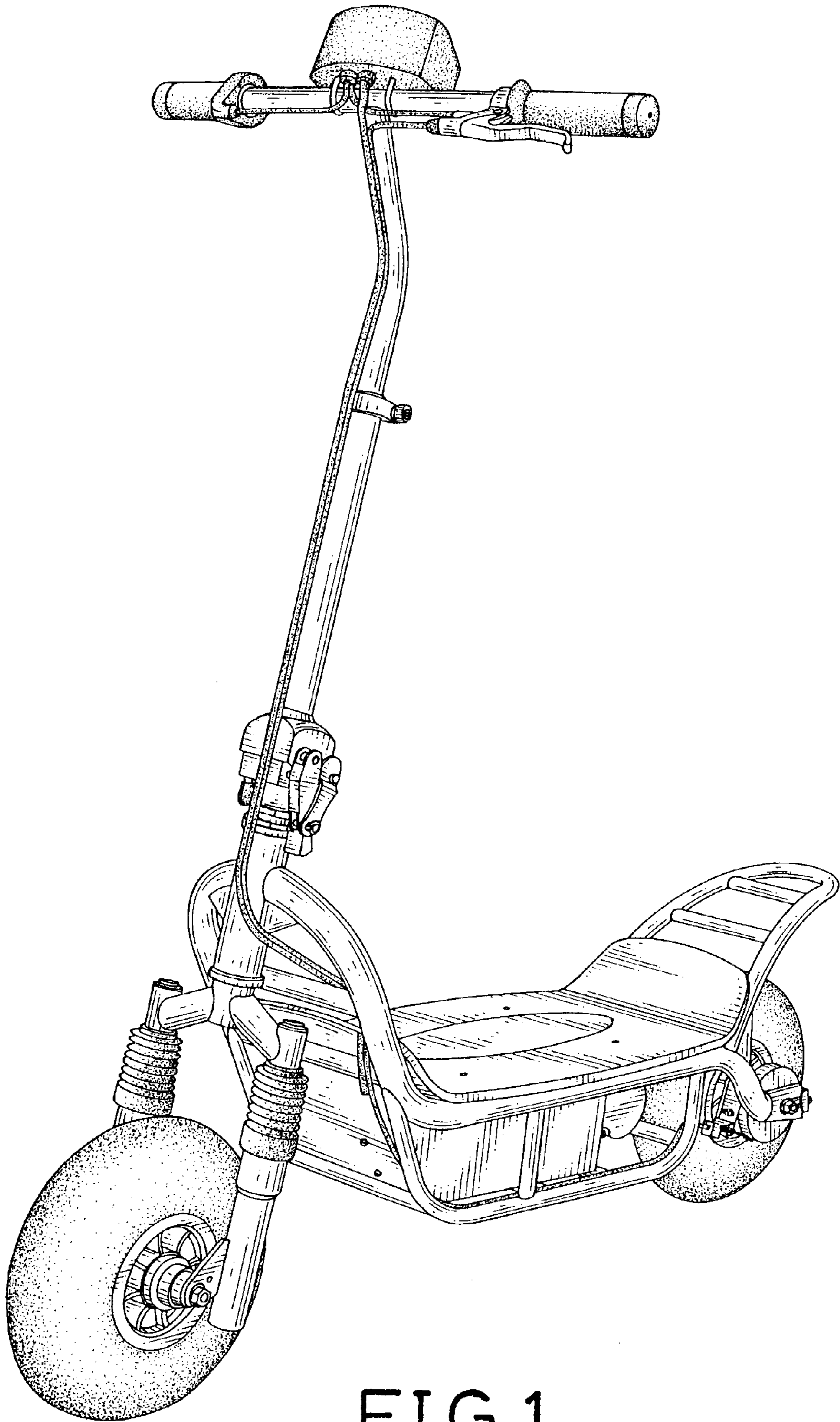


FIG. 1

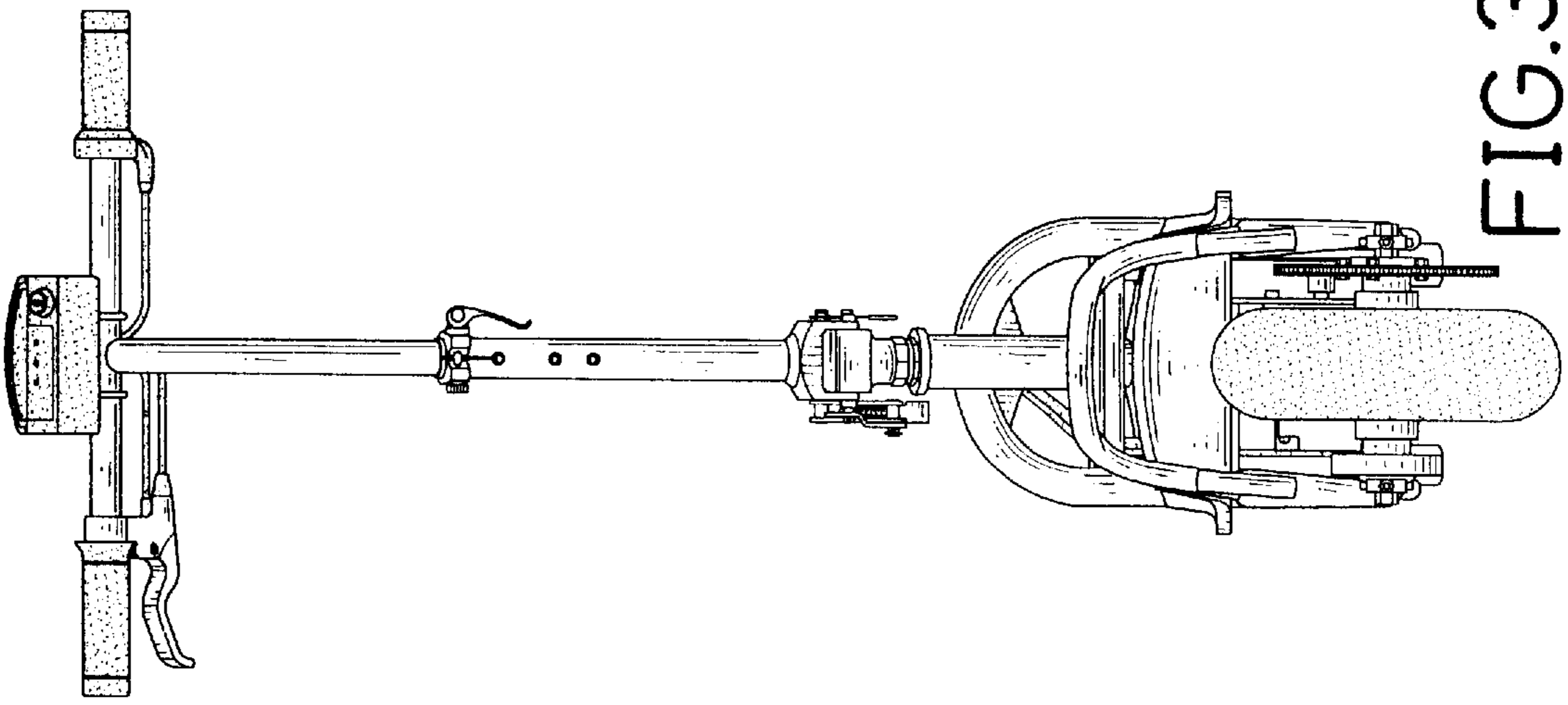


FIG.3

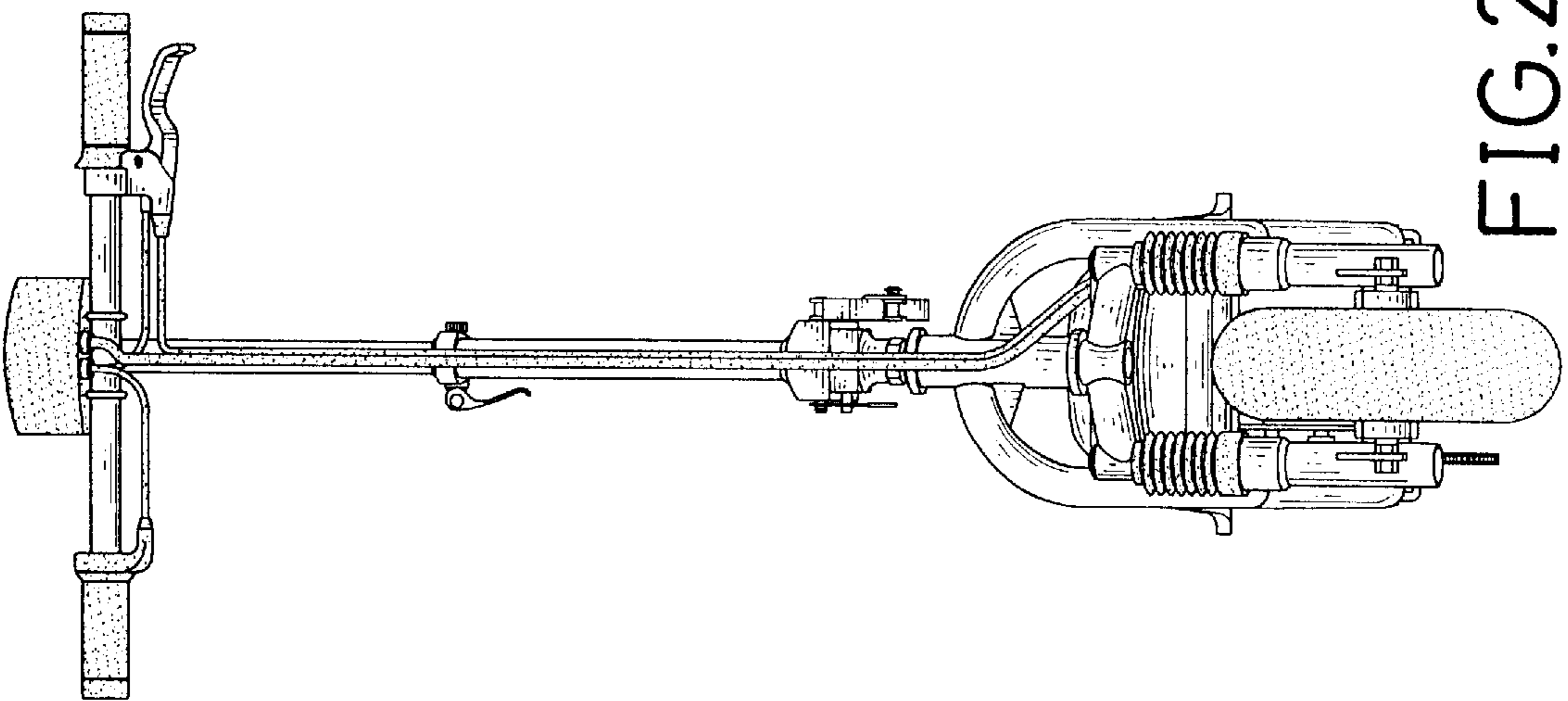


FIG.2

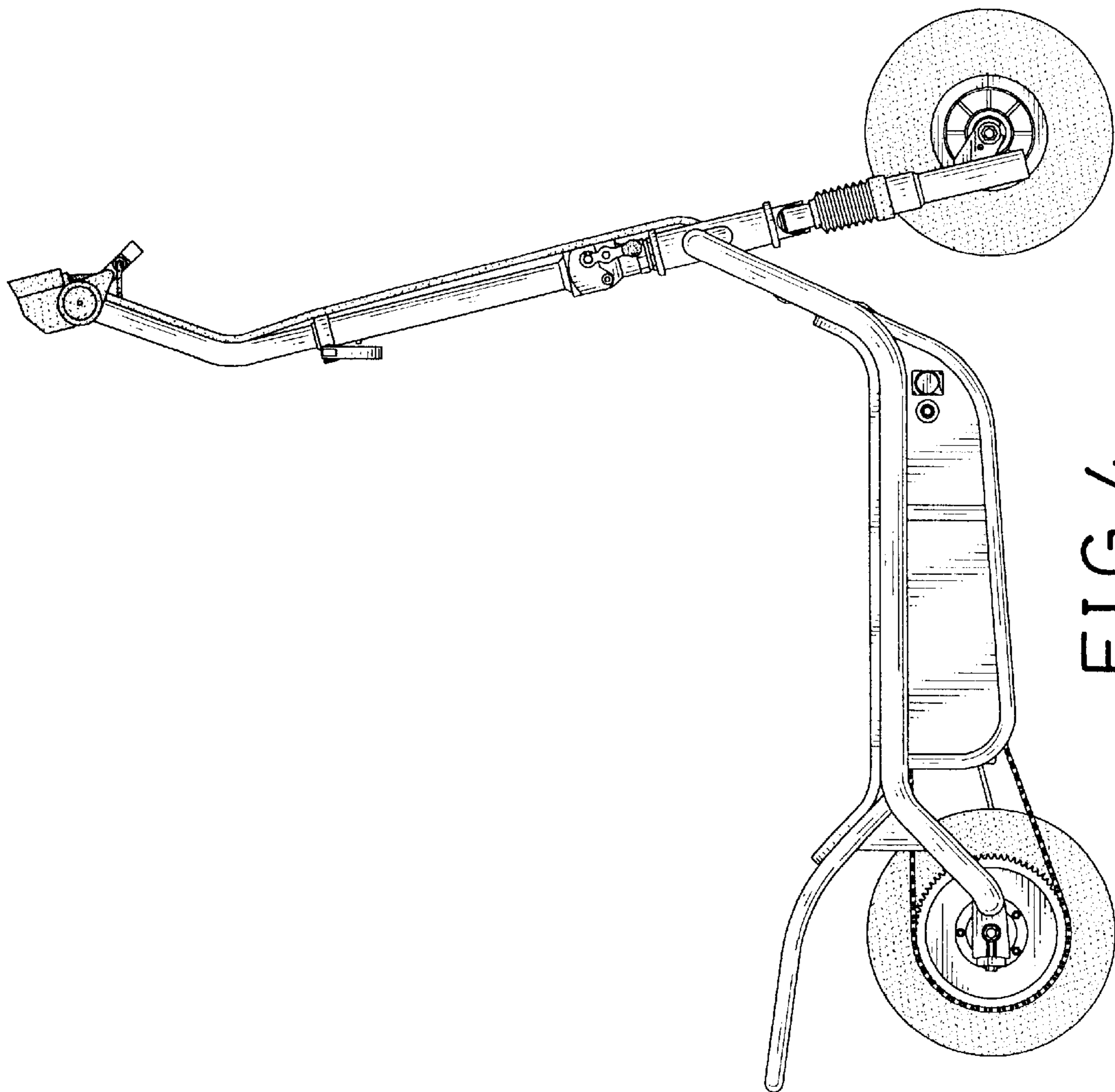


FIG. 4

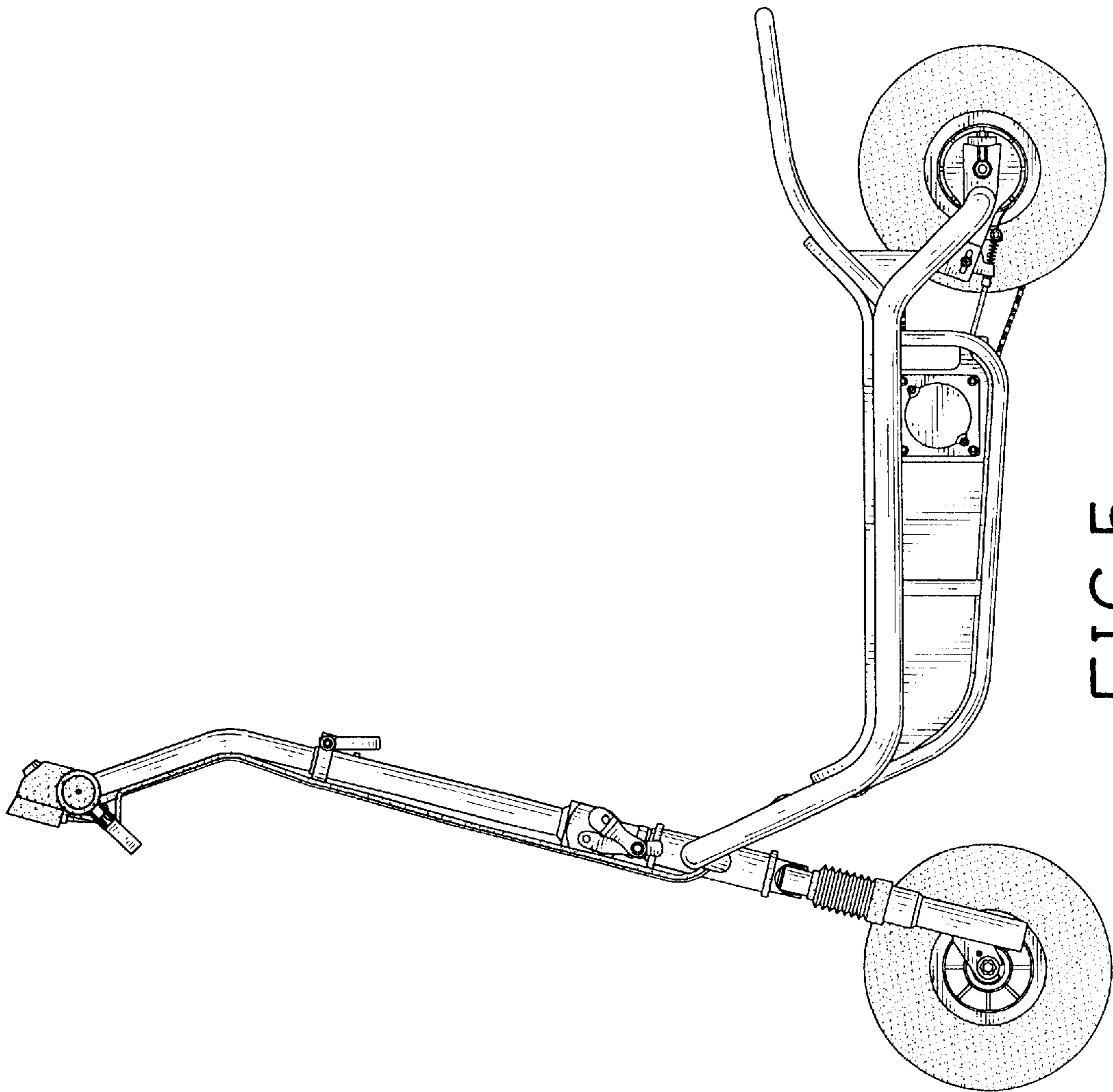


FIG. 5

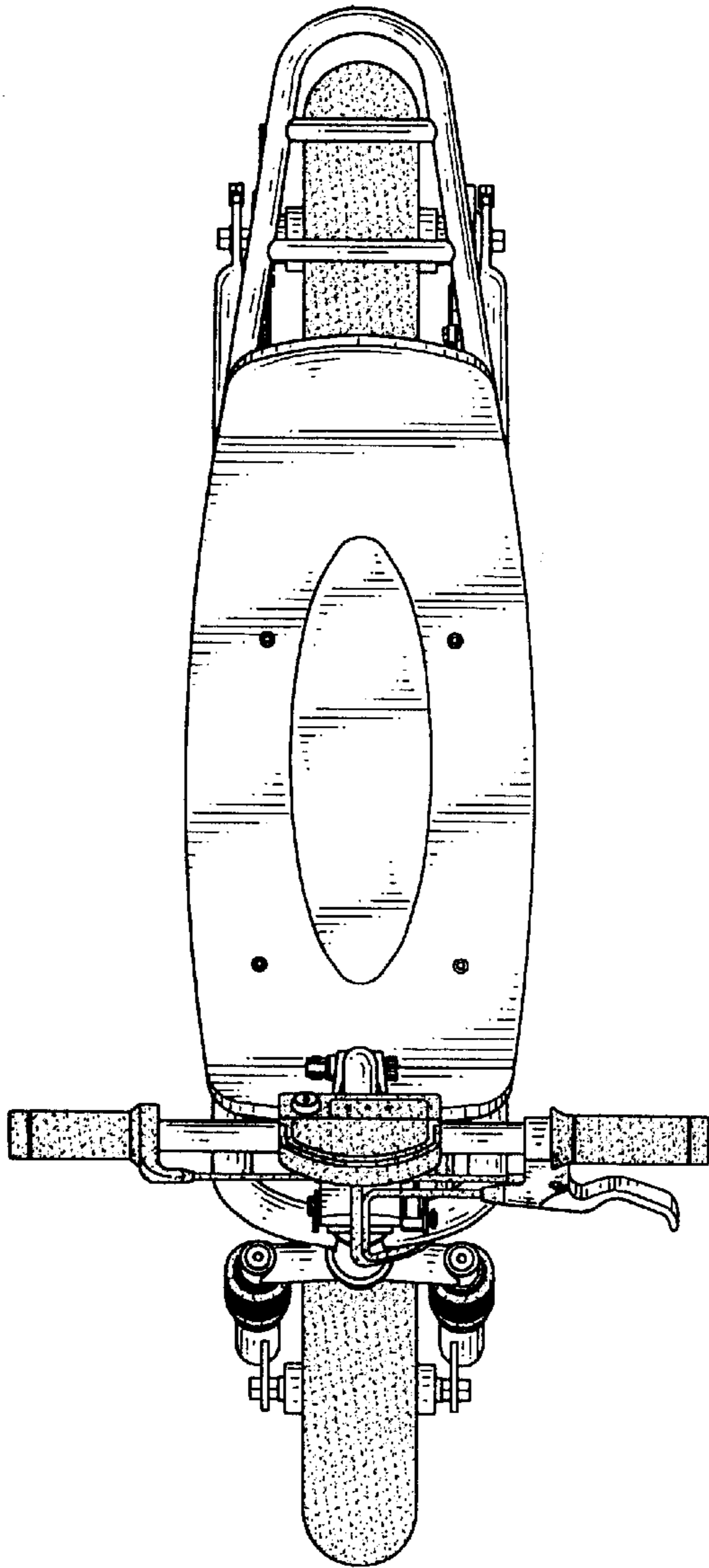


FIG. 6

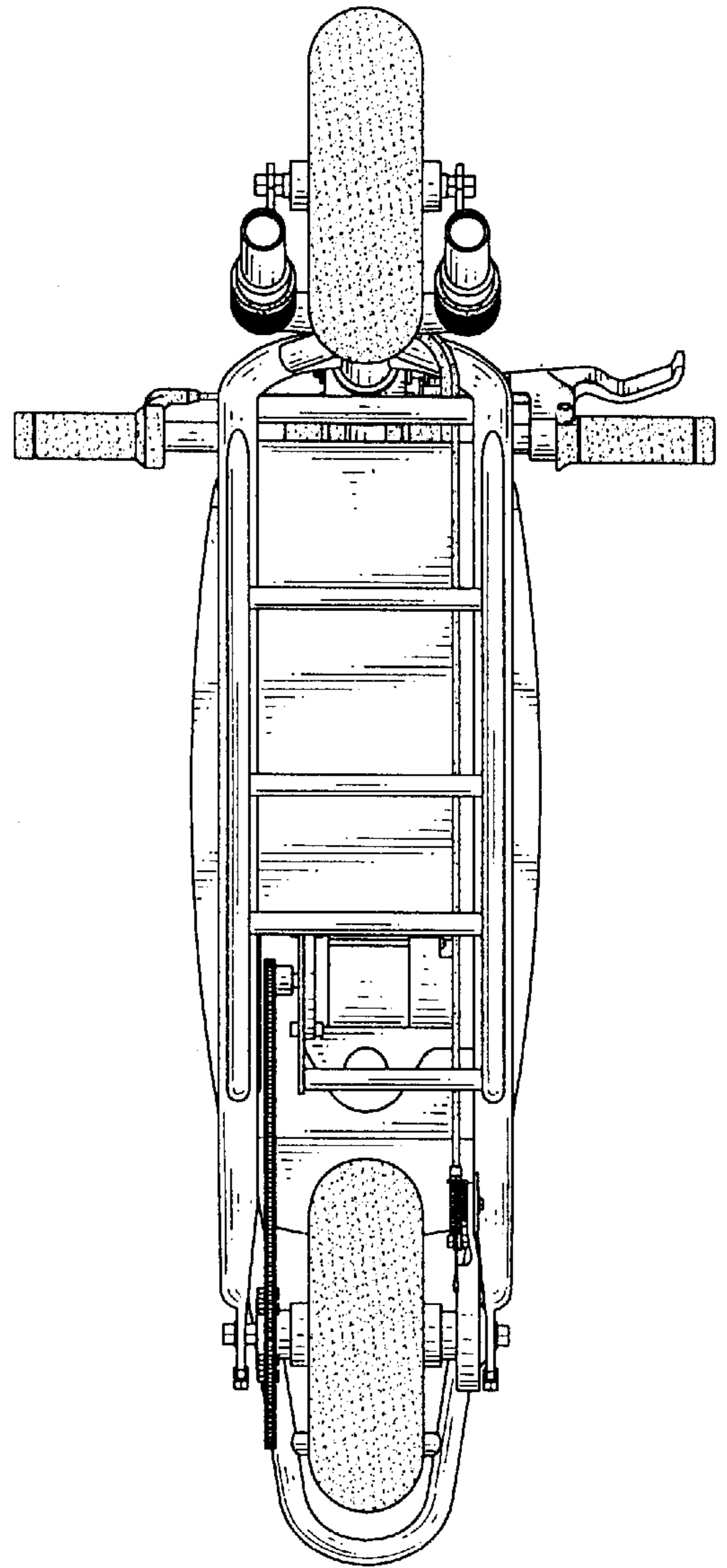


FIG. 7