



US00D449855B1

(12) **United States Design Patent**
Shamitoff

(10) **Patent No.:** **US D449,855 S**

(45) **Date of Patent:** **** Oct. 30, 2001**

(54) **ROTARY PHONE DIAL WRITING INSTRUMENT**

(76) **Inventor:** **Joel B. Shamitoff**, 141 Redhawk Ct.,
Brisbane, CA (US) 94005

(**) **Term:** **14 Years**

(21) **Appl. No.:** **29/115,820**

(22) **Filed:** **Dec. 20, 1999**

D. 292,297	*	10/1987	Bingham	D19/41
D. 302,985	*	8/1989	Vinck	D19/41
D. 319,468	*	8/1991	Larizza	D19/42
D. 365,849	*	1/1996	Greer, Jr.	D19/36
2,631,317	*	3/1953	De Kolb	401/88 X
2,798,318	*	7/1957	Juerst	D14/246 X
3,168,072	*	2/1965	Nitta	401/97
3,189,692	*	6/1965	Andregg et al.	D14/153 X
3,335,232	*	8/1967	Lund	D14/246 X
3,994,605	*	11/1976	McKnight	401/99
4,986,685	*	1/1991	Kiyokane	401/213

* cited by examiner

Related U.S. Application Data

(63) Continuation of application No. 09/434,828, filed on Nov. 5, 1999, now abandoned.

(51) **LOC (7) Cl.** **19-06**

(52) **U.S. Cl.** **D19/42; D19/46**

(58) **Field of Search** D19/35, 36, 41-51,
D19/53-58, 81-85; 401/6, 7, 88, 52, 195,
30, 34, 209, 99, 213; D14/153, 246

Primary Examiner—Martie K. Holtje

(74) *Attorney, Agent, or Firm*—Fliesler Dubb Meyer & Lovejoy LLP

(57) **CLAIM**

The ornamental design for a rotary phone dial writing instrument, as shown and described.

DESCRIPTION

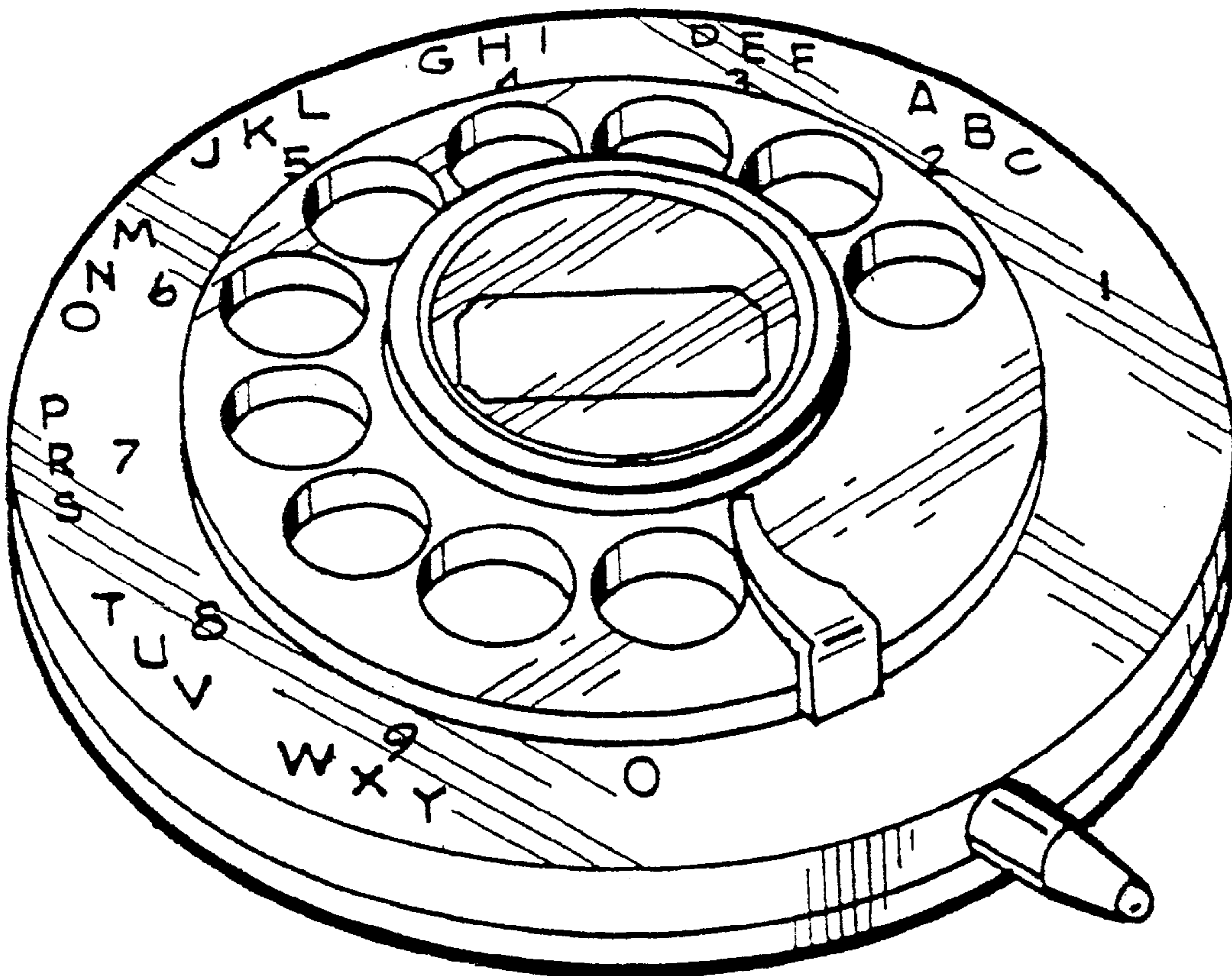
FIG. 1 is a perspective view of a rotary phone dial writing instrument.

(56) **References Cited**

U.S. PATENT DOCUMENTS

D. 180,081 * 4/1957 Hill D14/153

1 Claim, 1 Drawing Sheet



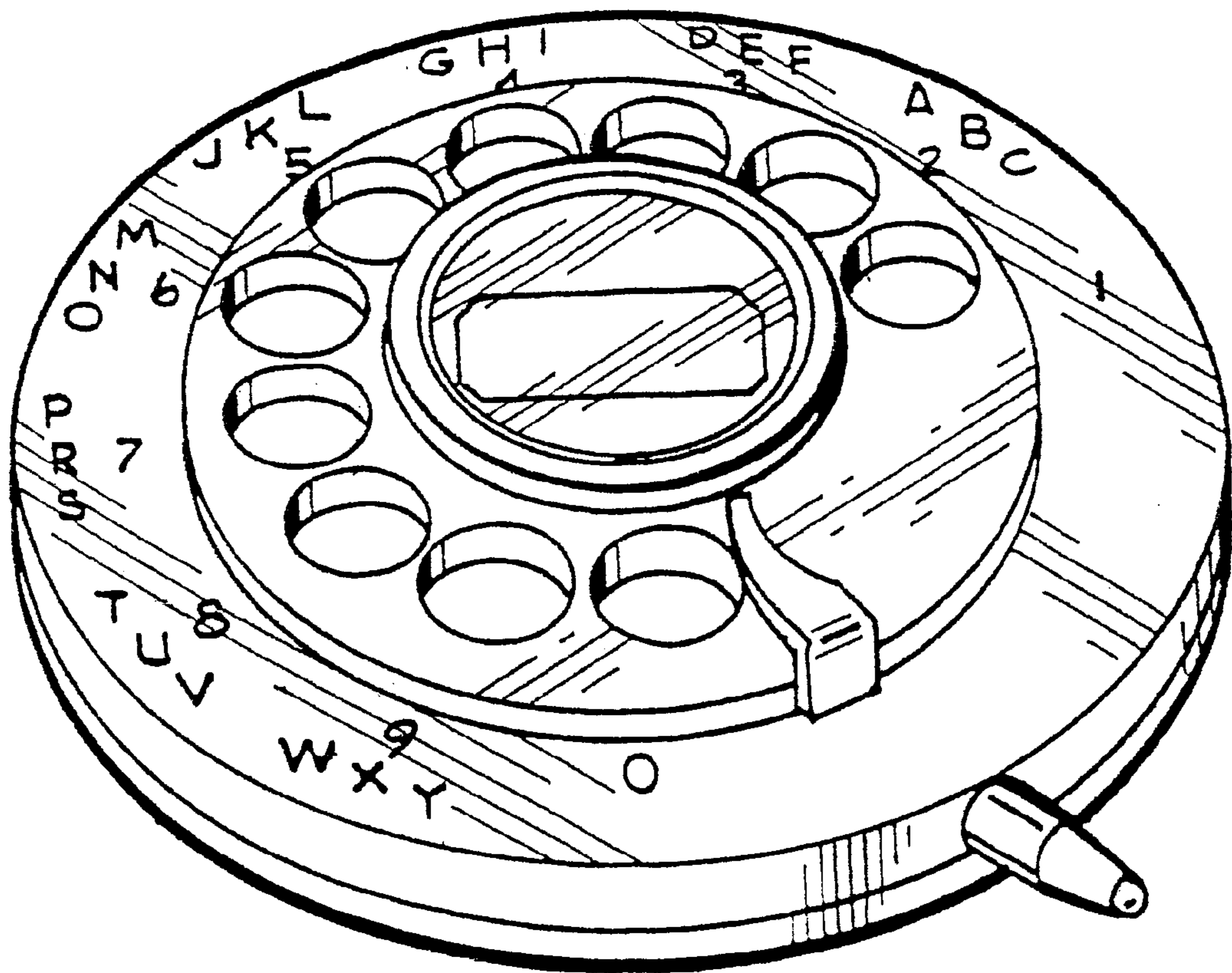


FIG. 1