



US00D449853B1

(12) **United States Design Patent**
Myers

(10) **Patent No.:** **US D449,853 S**

(45) **Date of Patent:** **** Oct. 30, 2001**

(54) **MEMENTO HOLDER**

(76) Inventor: **Roseanne Myers**, 7605 SW. Leland Dr., Beaverton, OR (US) 97007

(**) Term: **14 Years**

(21) Appl. No.: **29/123,163**

(22) Filed: **May 11, 2000**

(51) **LOC (7) Cl.** **19-04**

(52) **U.S. Cl.** **D19/26**

(58) **Field of Search** D19/26, 28; D9/326, D9/336; 206/424, 457, 472, 242; 402/4.8; 281/19.1, 21.1; 217/5, 57; 132/315

(56) **References Cited**

U.S. PATENT DOCUMENTS

D. 124,531	*	1/1941	Jensen	D19/26	X
D. 272,546	*	2/1984	Holson	D19/26	
D. 386,677	*	11/1997	Abiteboul	D9/336	
1,646,632	*	10/1927	Spinner	132/315	X
1,709,685	*	4/1929	Rothrock	206/472	
1,756,135	*	4/1930	Rushen	217/5	
2,341,600	*	2/1944	Daniel	206/457	
2,359,473	*	10/1944	Fry	281/19.1	

* cited by examiner

Primary Examiner—Paula A. Mortimer
(74) *Attorney, Agent, or Firm*—Kolisch, Hartwell, Dickinson, McCormack & Heuser

(57) **CLAIM**

The ornamental design for a memento holder, as shown and described.

DESCRIPTION

FIG. 1 is an isometric view of a memento holder constructed in accordance with the present invention, the memento holder being opened to reveal a photo album and underlying memento tray;

FIG. 2 is an isometric view of the memento holder of FIG. 1, but with the memento tray obscured by a pivotal memento tray lid;

FIG. 3 is an isometric view of the memento holder of FIG. 1, but with the memento holder cover closed, and decorative ribbons tied together to keep the cover closed;

FIG. 4 is a rear elevation view of the memento holder as shown in FIG. 3;

FIG. 5 is a left side elevation view of the memento holder as shown in FIG. 3;

FIG. 6 is a top plan view of the memento holder as shown in FIG. 3;

FIG. 7 is a right side elevation view of the memento holder as shown in FIG. 3;

FIG. 8 is a front elevation view of the memento holder as shown in FIG. 3;

FIG. 9 is a bottom view of the memento holder as shown in FIG. 3;

FIG. 10 is a top plan view of the memento holder of FIG. 1, with the cover and memento tray lid opened to reveal the memento tray;

FIG. 11 is a sectional side view taken generally along lines 11—11 of FIG. 10 to reveal an interior cross section of the memento tray;

FIG. 12 is an isometric view of an alternative embodiment of a memento holder constructed in accordance with the present invention, the memento holder being opened to reveal a photo album and underlying memento tray;

FIG. 13 is a top plan view of the memento holder of FIG. 12, with the cover and memento tray lid opened to reveal the memento tray; and,

FIG. 14 is a sectional side view taken generally along lines 14—14 of FIG. 13 to reveal an interior cross-section of the memento tray.

1 Claim, 5 Drawing Sheets

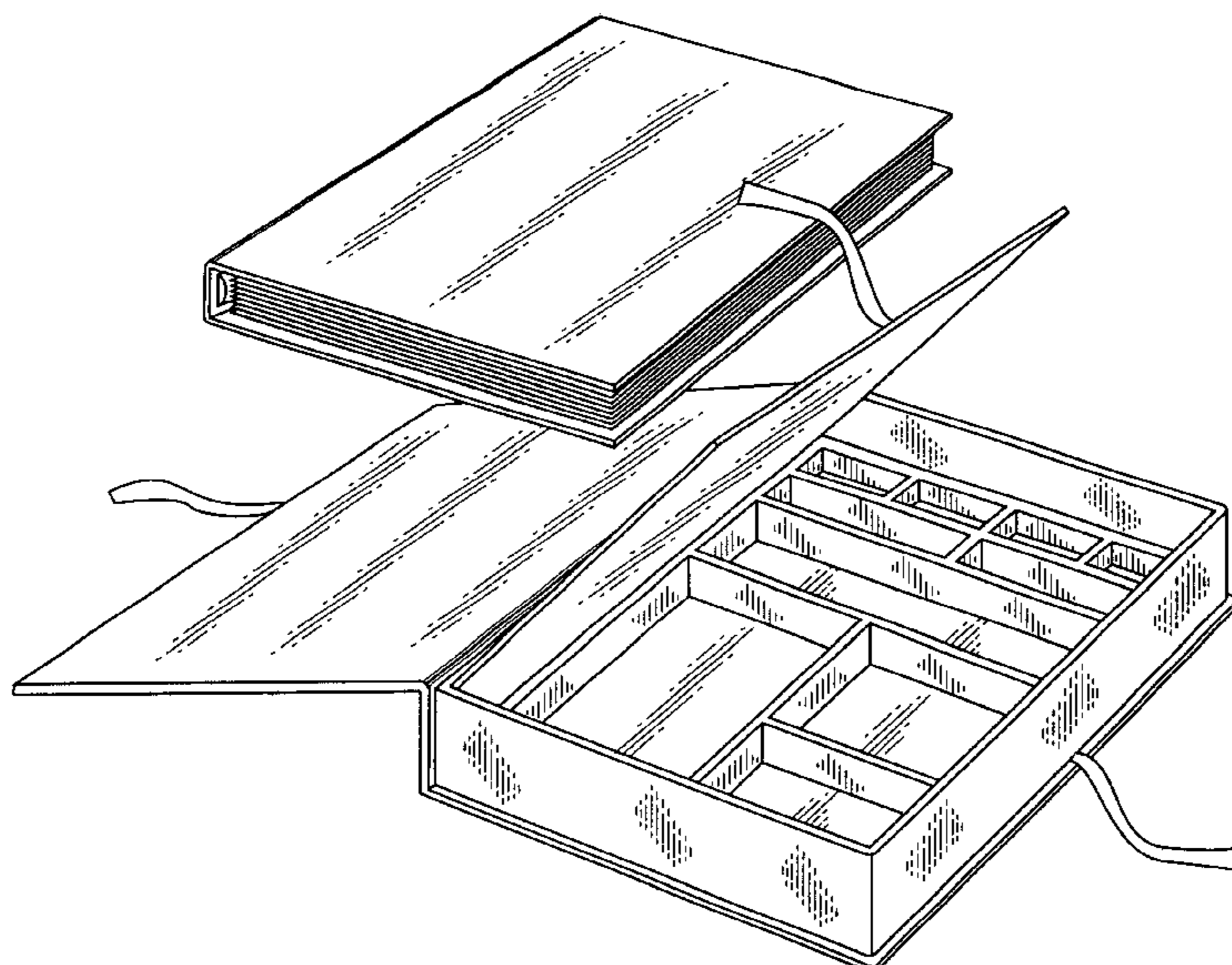


FIG. 1

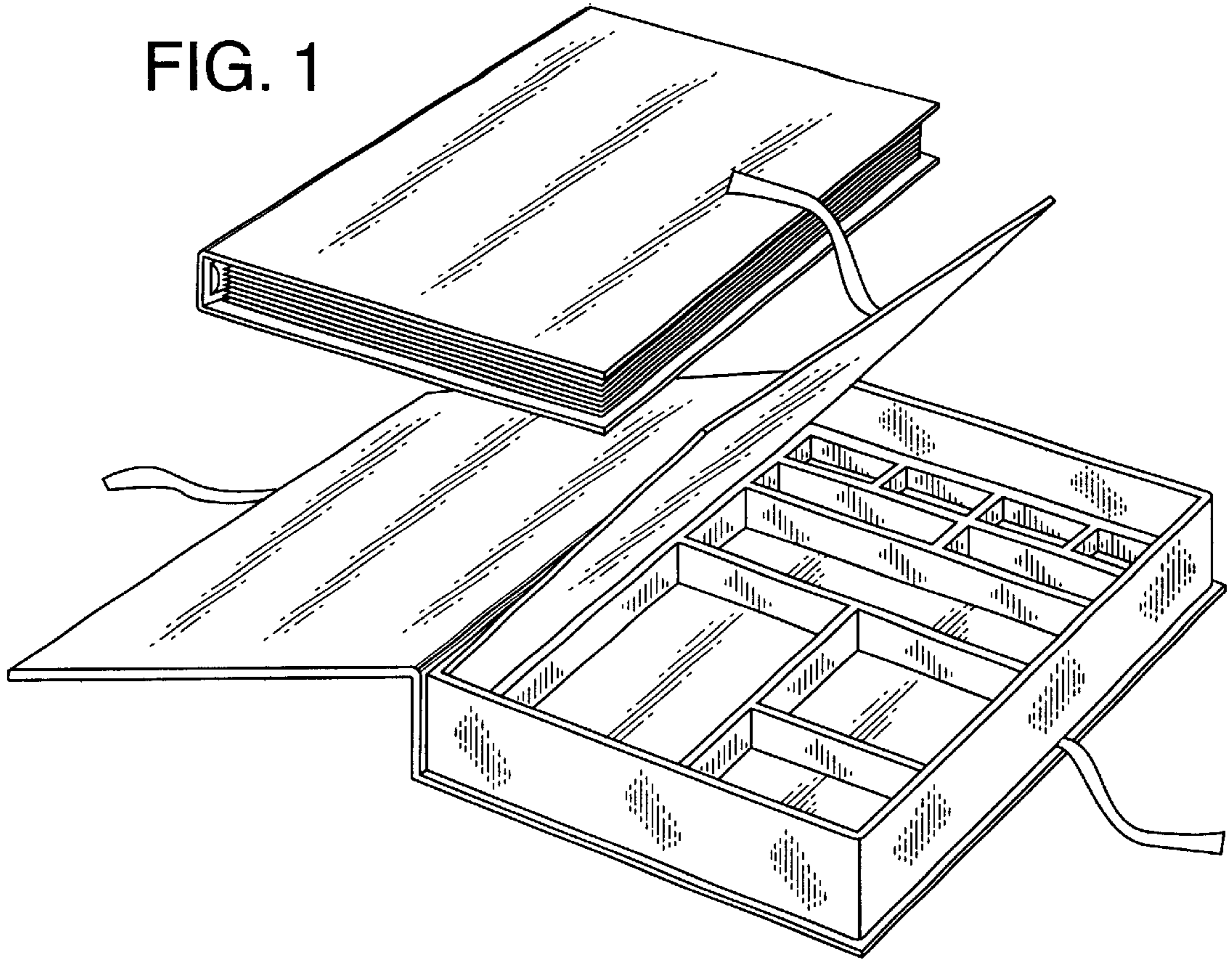
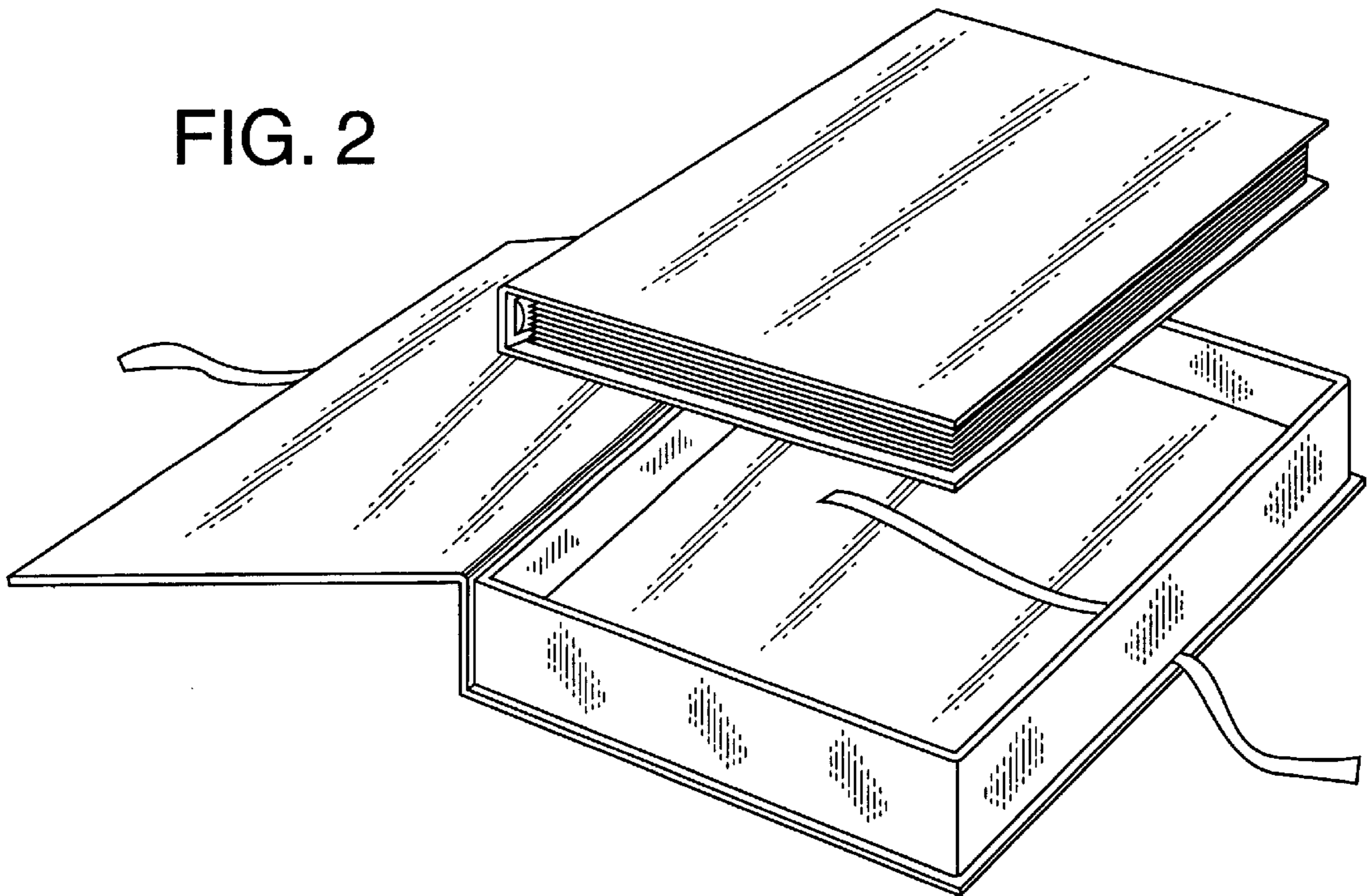


FIG. 2



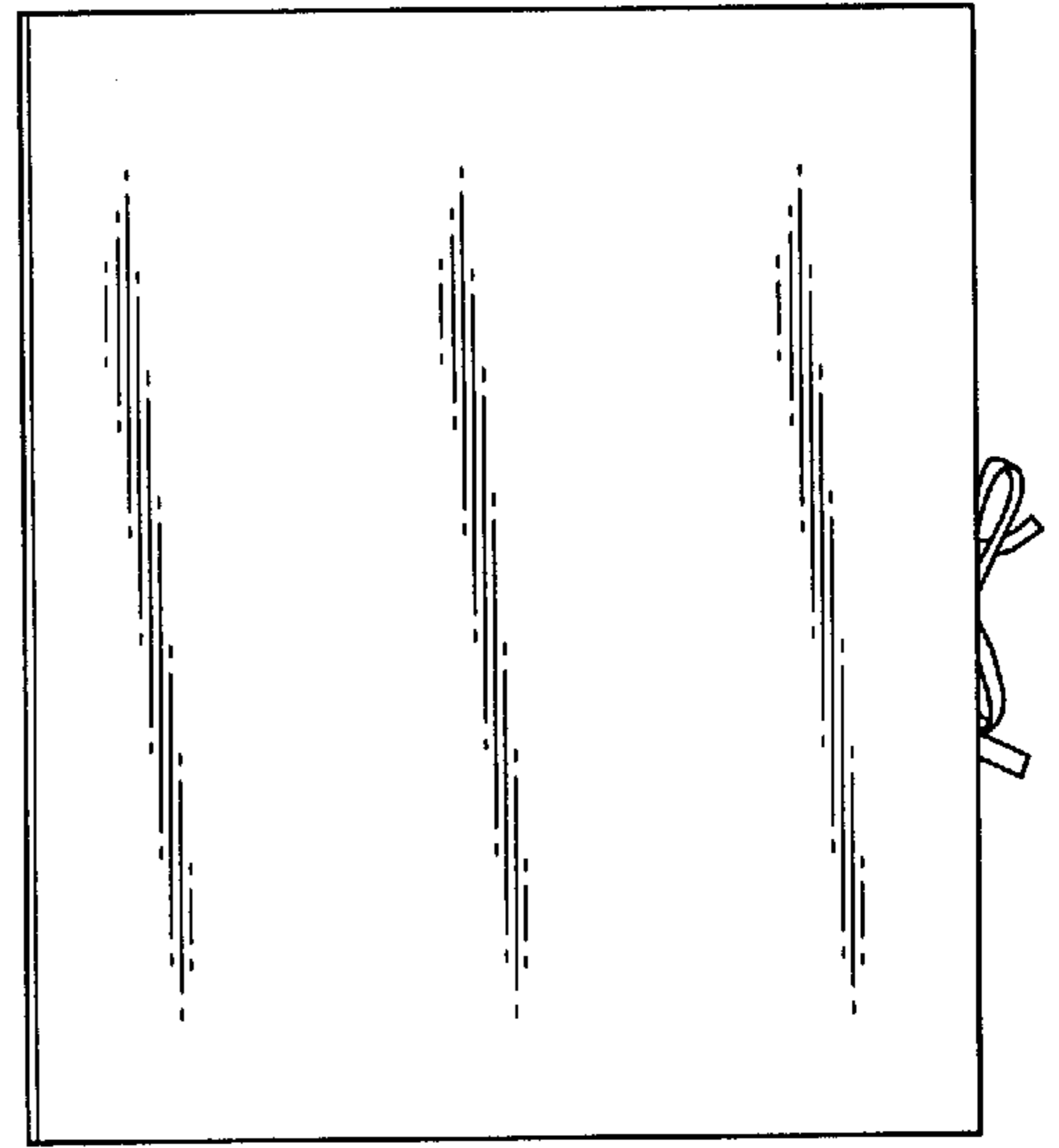
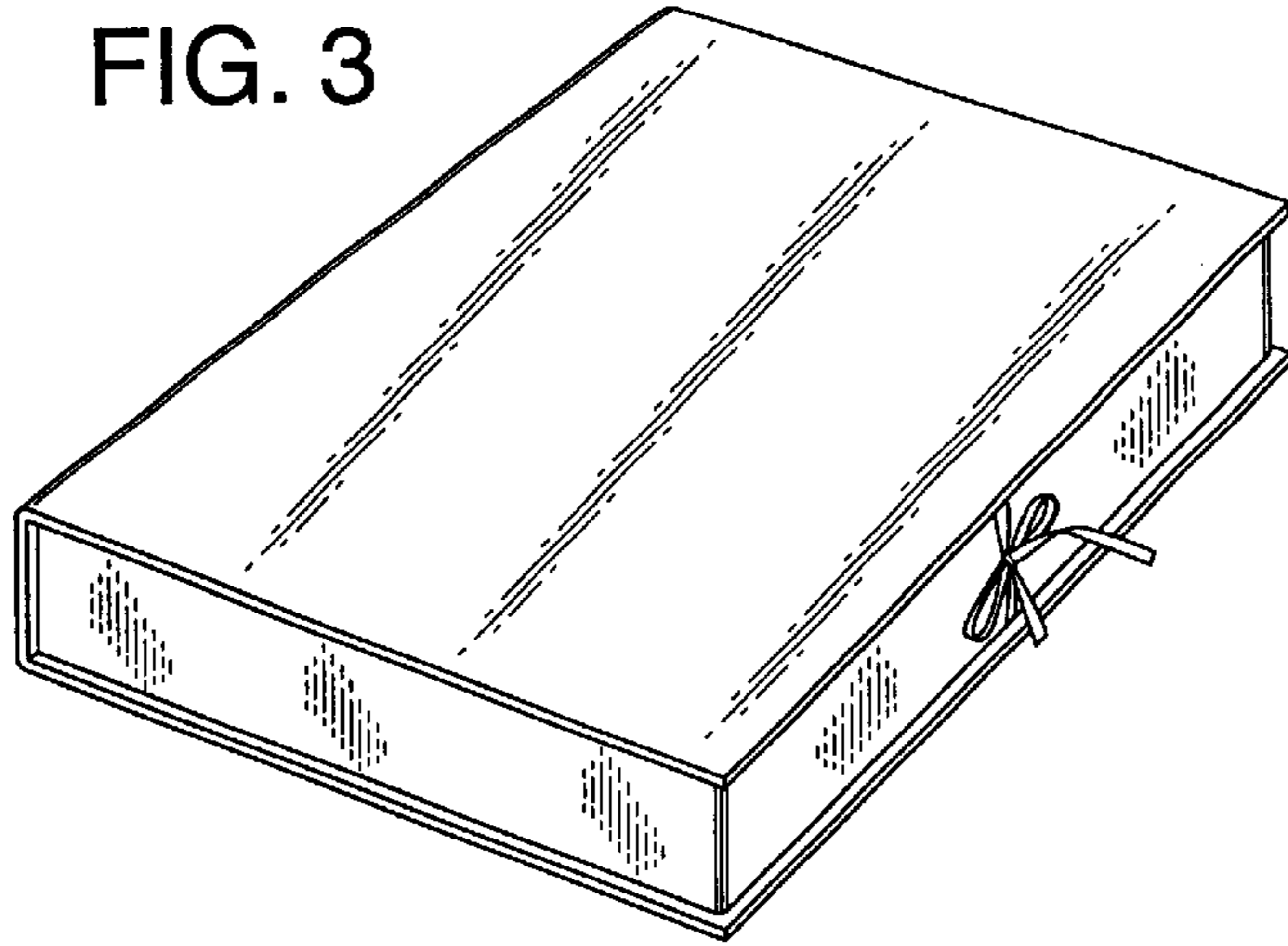


FIG. 4

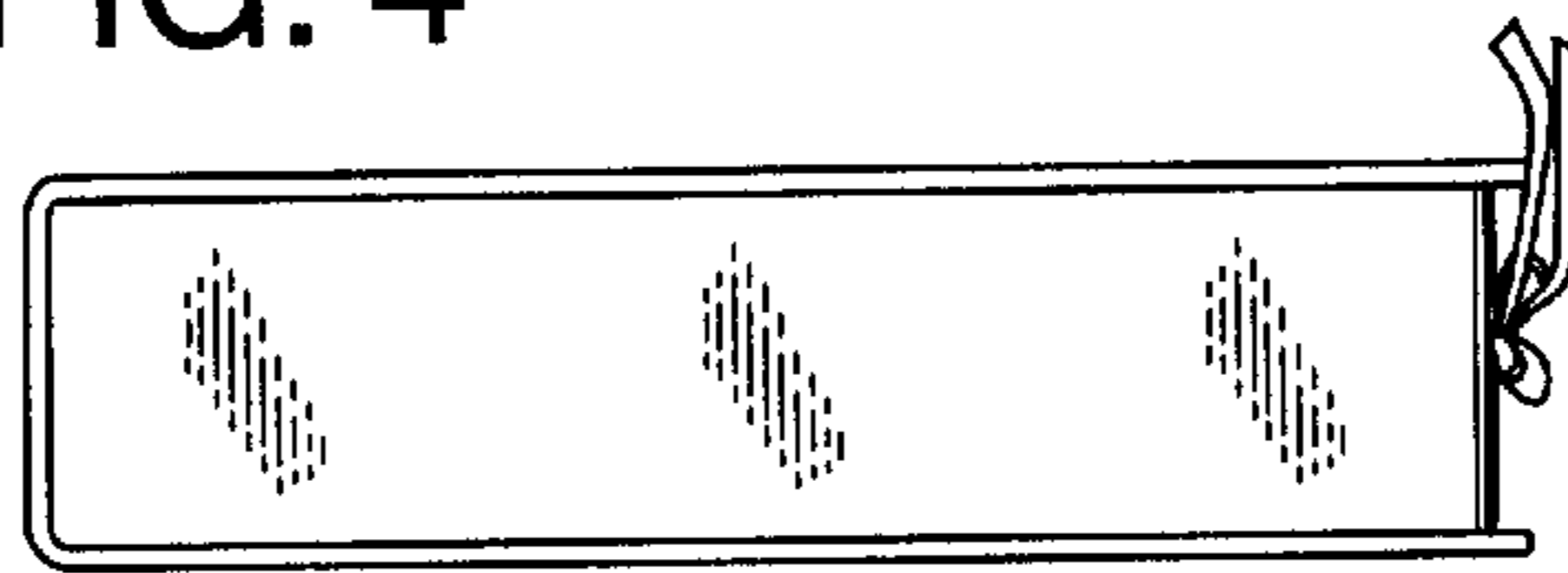


FIG. 9

FIG. 5

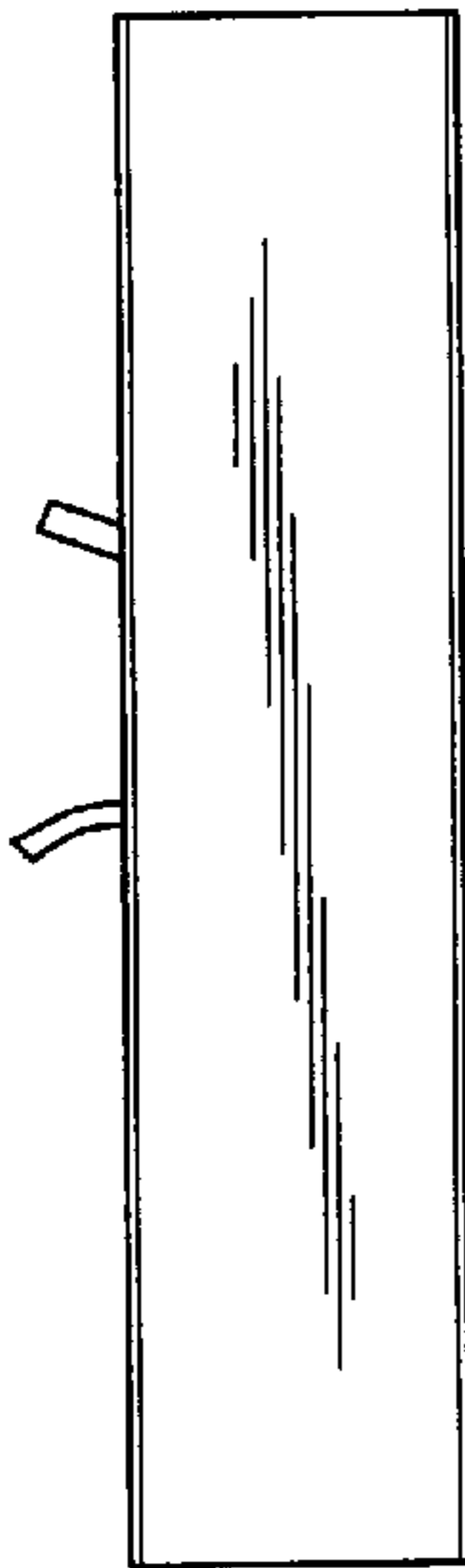


FIG. 6

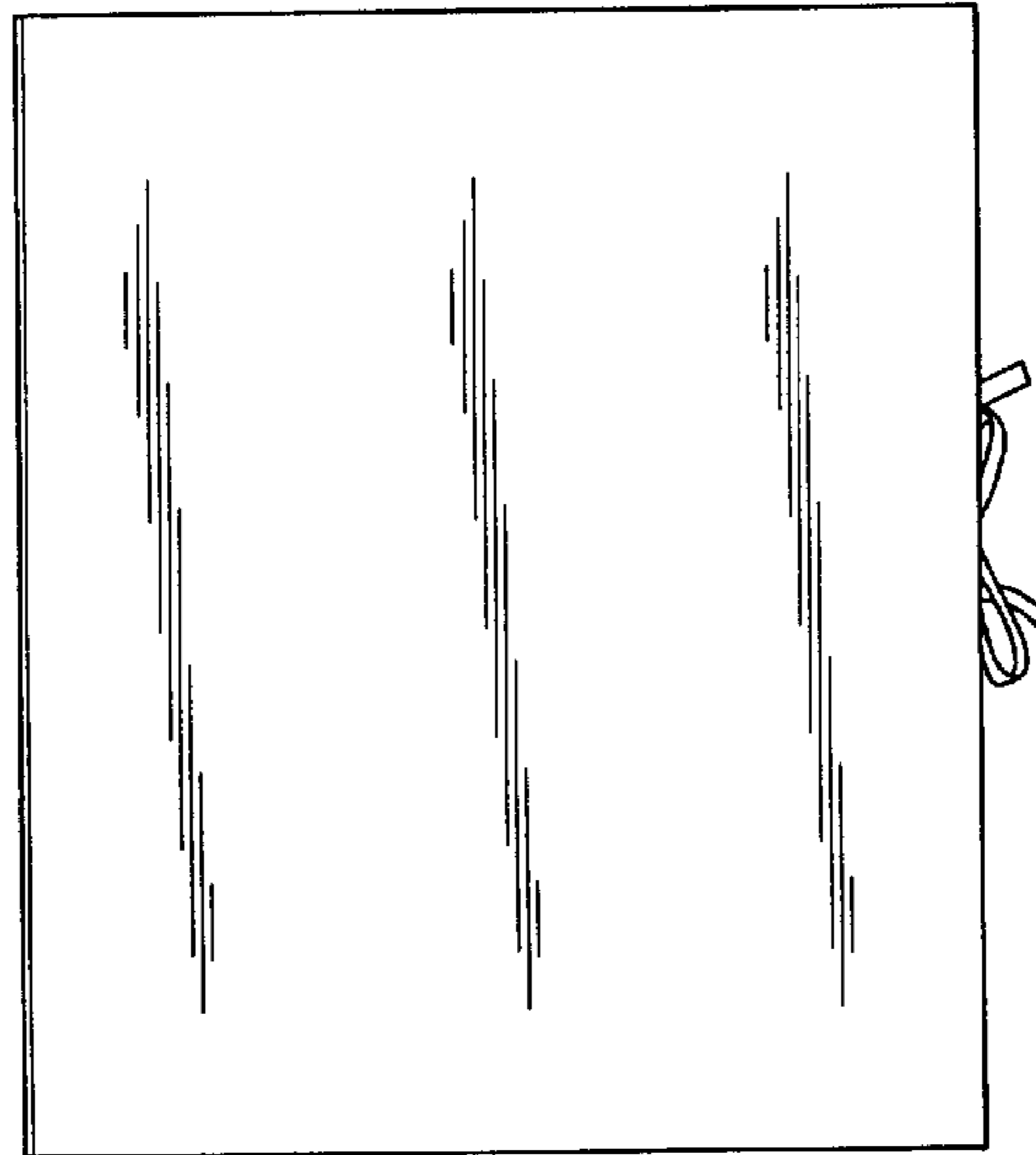


FIG. 7

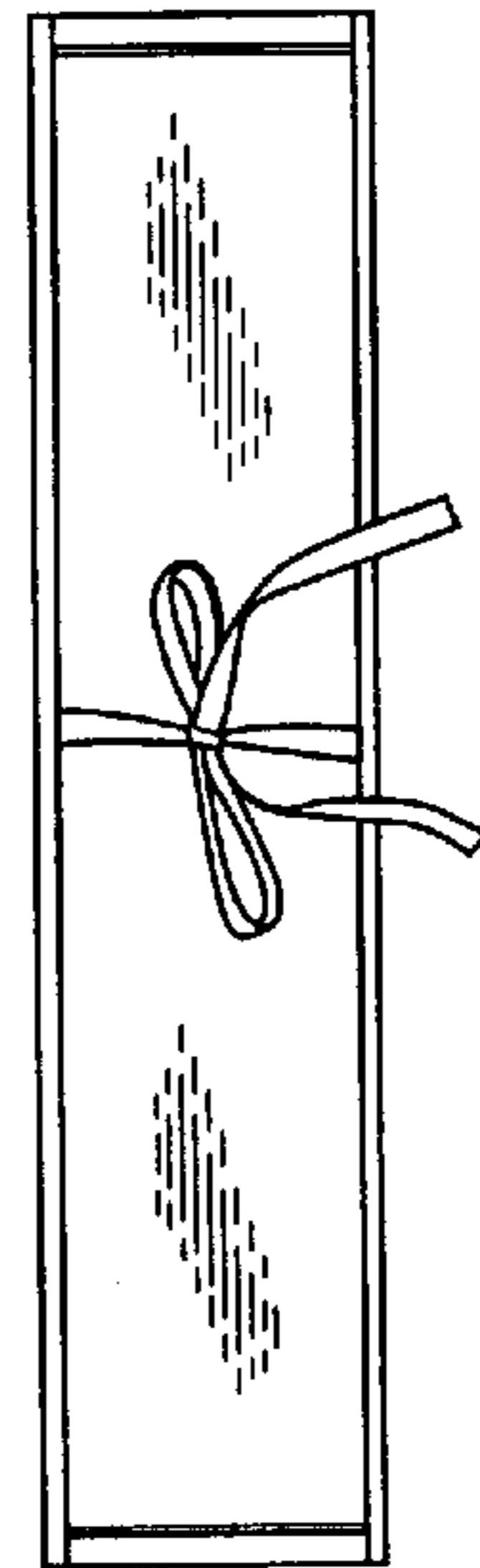


FIG. 8

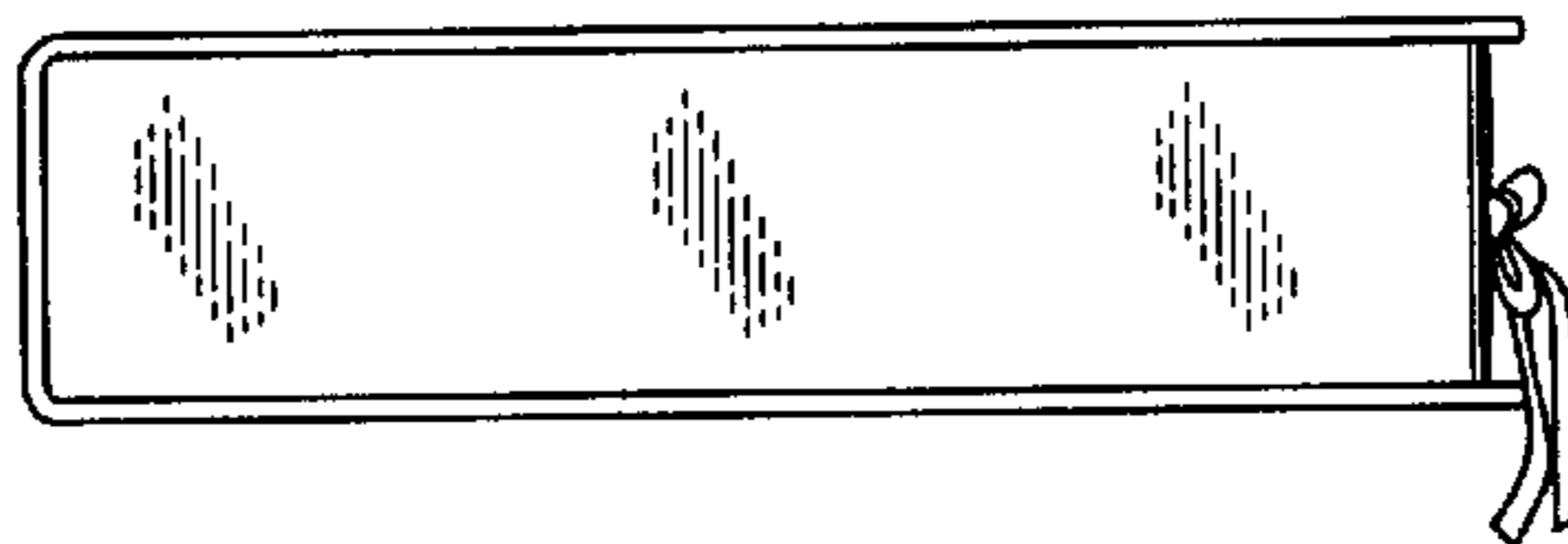


FIG. 10

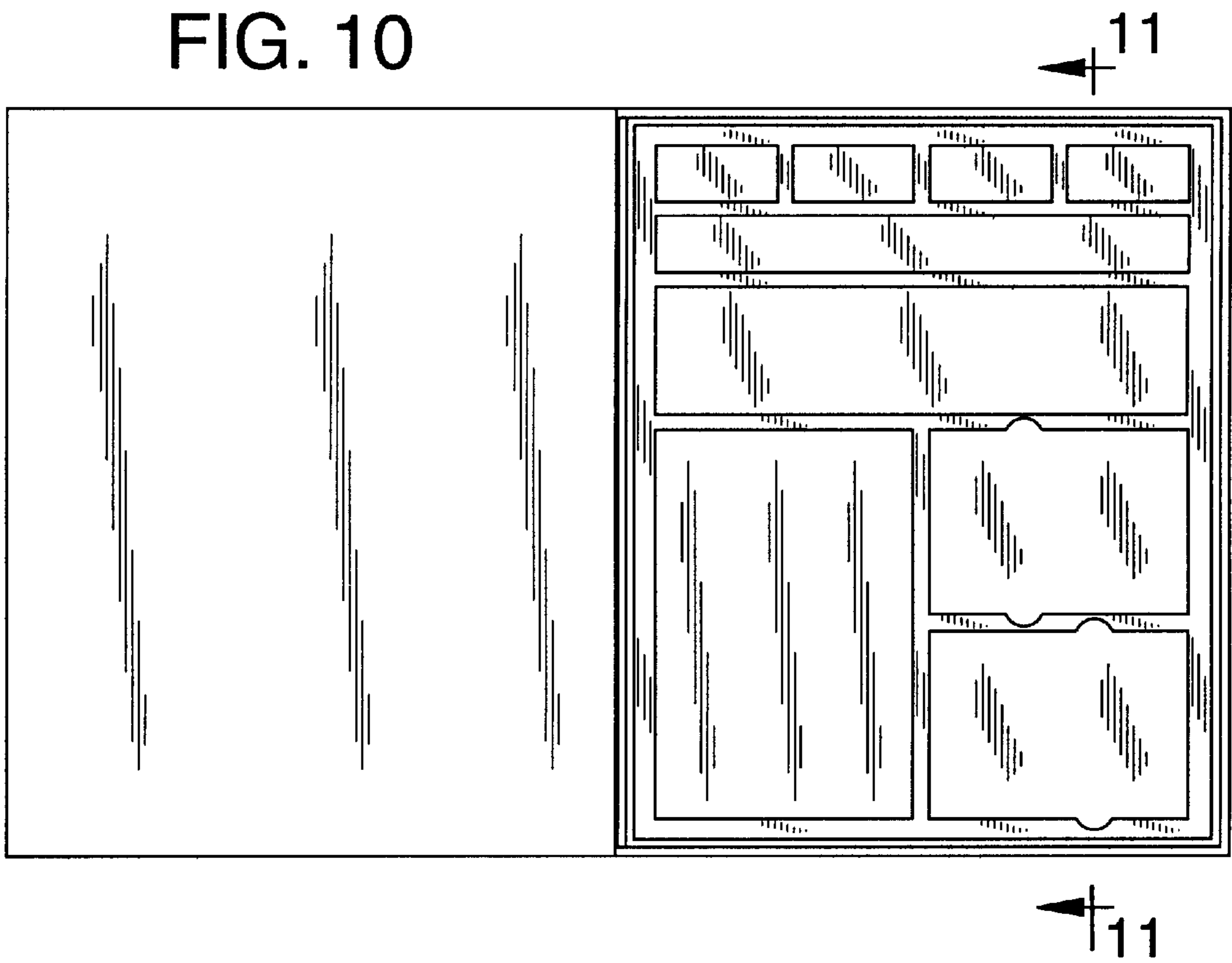


FIG. 11

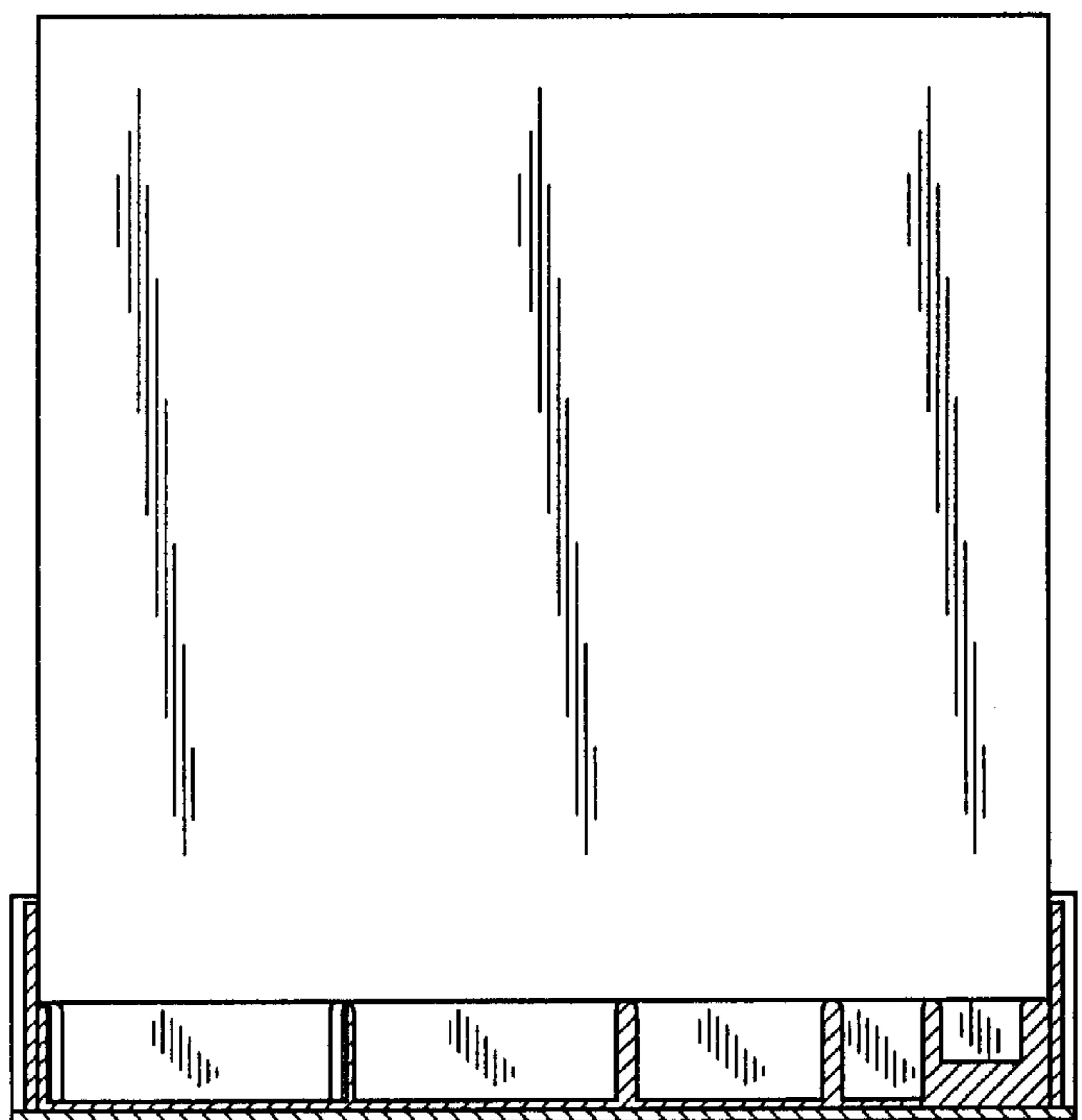


FIG. 12

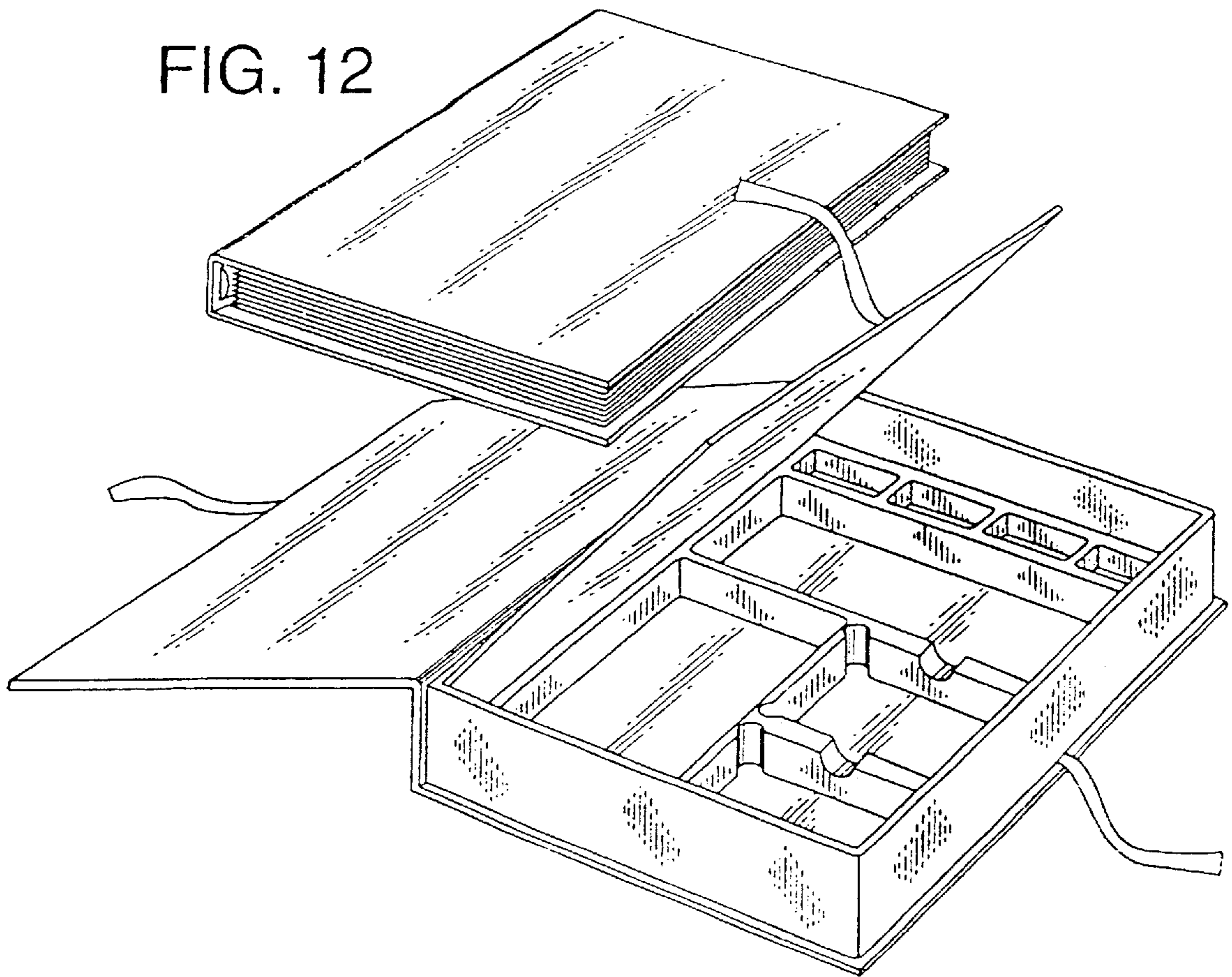
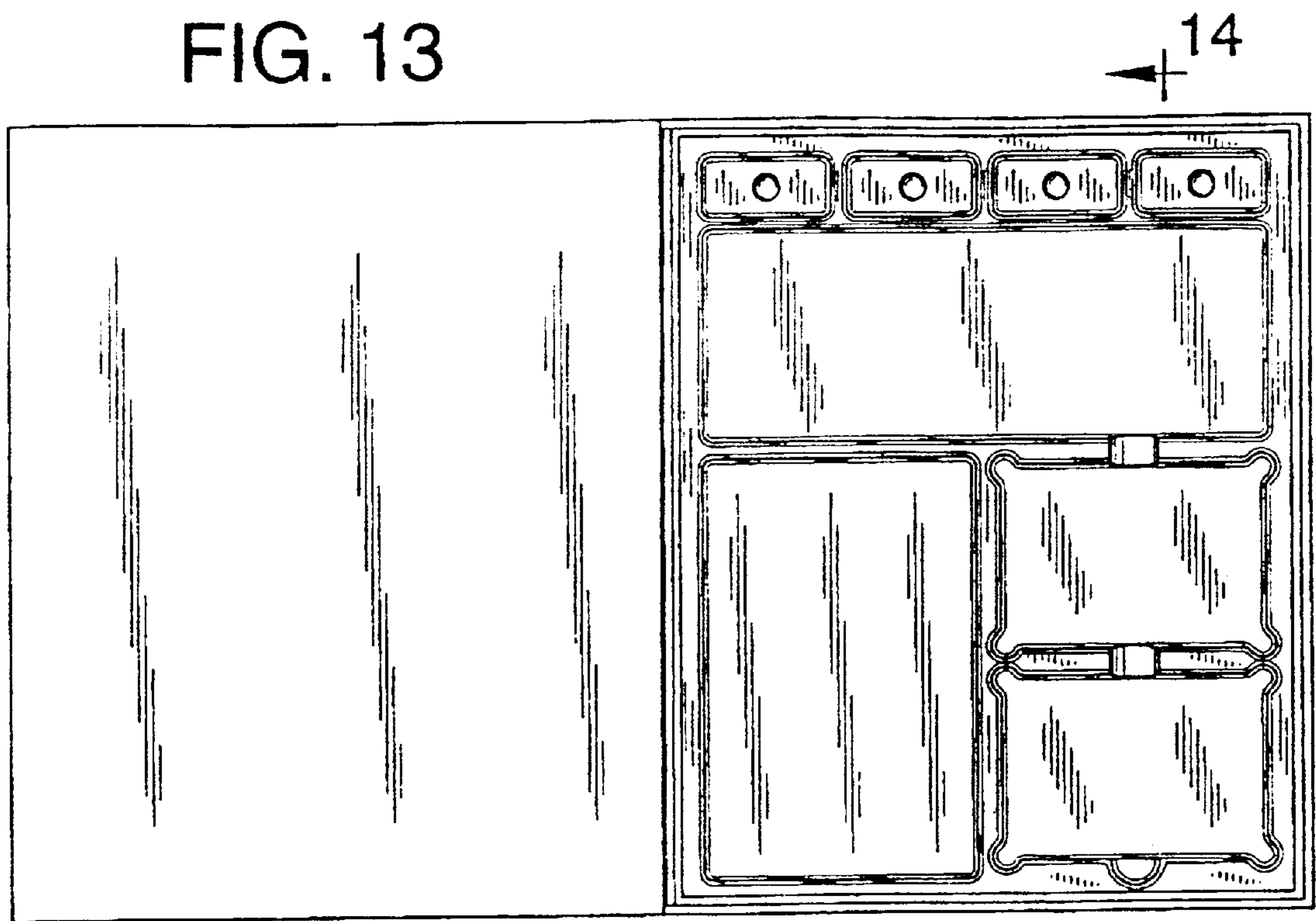


FIG. 13



14

FIG. 14

