



US00D449848B1

(12) **United States Design Patent**
Lewis, Jr. et al.

(10) **Patent No.:** **US D449,848 S**
(45) **Date of Patent:** **** Oct. 30, 2001**

(54) **PDA DIGITAL CAMERA ACCESSORY MODULE**

(75) Inventors: **Charles R. Lewis, Jr.**, Palo Alto;
Christopher M. Flink, Los Altos; **Scott Whitman**, Foster City; **James Yurchenco**; **Dennis Boyle**, both of Palo Alto, all of CA (US)

(73) Assignee: **IDEO Product Development Inc.**, Palo Alto, CA (US)

(**) Term: **14 Years**

(21) Appl. No.: **29/128,464**

(22) Filed: **Aug. 24, 2000**

(51) **LOC (7) Cl.** **16-05**

(52) **U.S. Cl.** **D16/242**

(58) **Field of Search** D14/433, 434;
D16/200-202, 203-205, 219, 237, 242;
361/679, 686, 728; 345/339; 348/373-376;
396/419, 422, 429, 430

(56) **References Cited**

U.S. PATENT DOCUMENTS

D. 412,494	*	8/1999	Tamaki et al.	D14/434
D. 416,547	*	11/1999	Lee et al.	D14/434
D. 426,549	*	6/2000	Carlson	D14/433
5,392,447	*	2/1995	Schlack et al.	345/339
5,604,663	*	2/1997	Shin et al.	361/686

5,867,218 * 2/1999 Matsuzaki et al. 348/373

* cited by examiner

Primary Examiner—Adir Aronovich

(74) *Attorney, Agent, or Firm*—Carr & Ferrell LLP

(57) **CLAIM**

The ornamental design for a PDA digital camera accessory module, as shown and described.

DESCRIPTION

FIG. 1 is a perspective view showing the front, right side, and top of a PDA digital camera accessory module, according to our new design;

FIG. 2 is a top plan view of the PDA digital camera accessory module;

FIG. 3 is a bottom plan view of the PDA digital camera accessory module;

FIG. 4 is a left side view of the PDA digital camera accessory module;

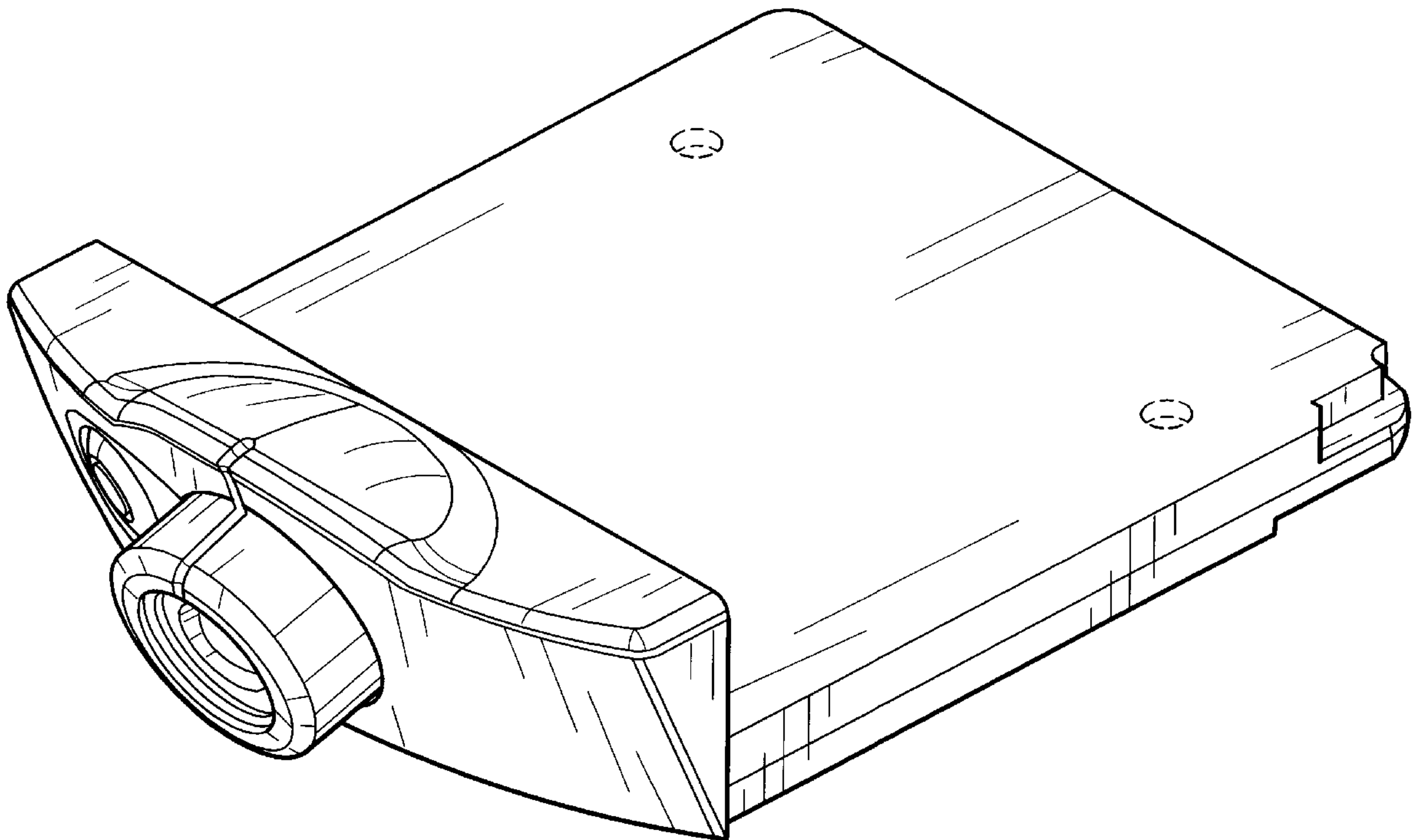
FIG. 5 is a front view of the PDA digital camera accessory module;

FIG. 6 is a right side view of the PDA digital camera accessory module; and,

FIG. 7 is rear view of the PDA digital camera accessory module.

The broken lines in FIGS. 1, 2 and 7 are shown for environmental purposes only and form no part of the claimed design.

1 Claim, 3 Drawing Sheets



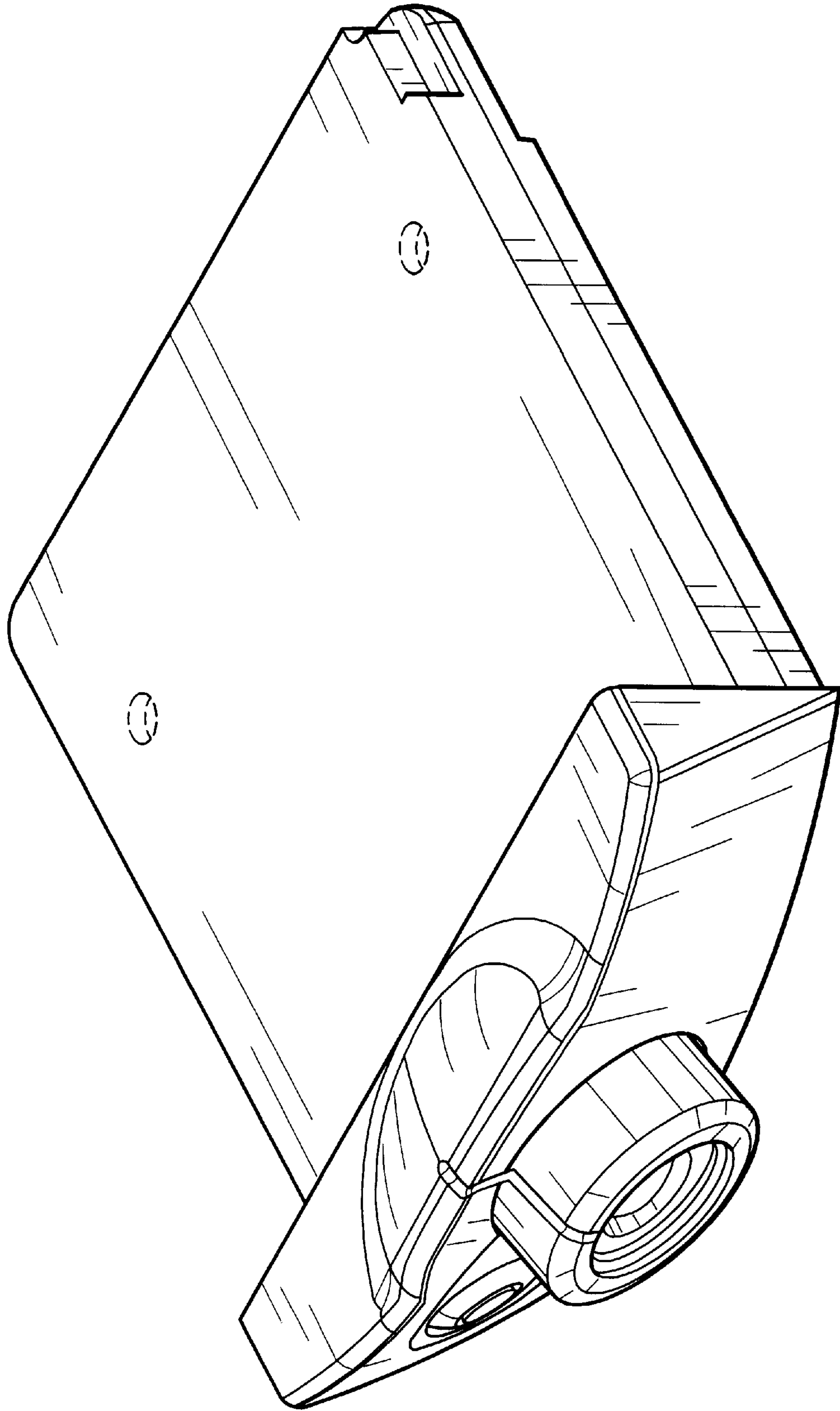


FIG. 1

FIG. 2

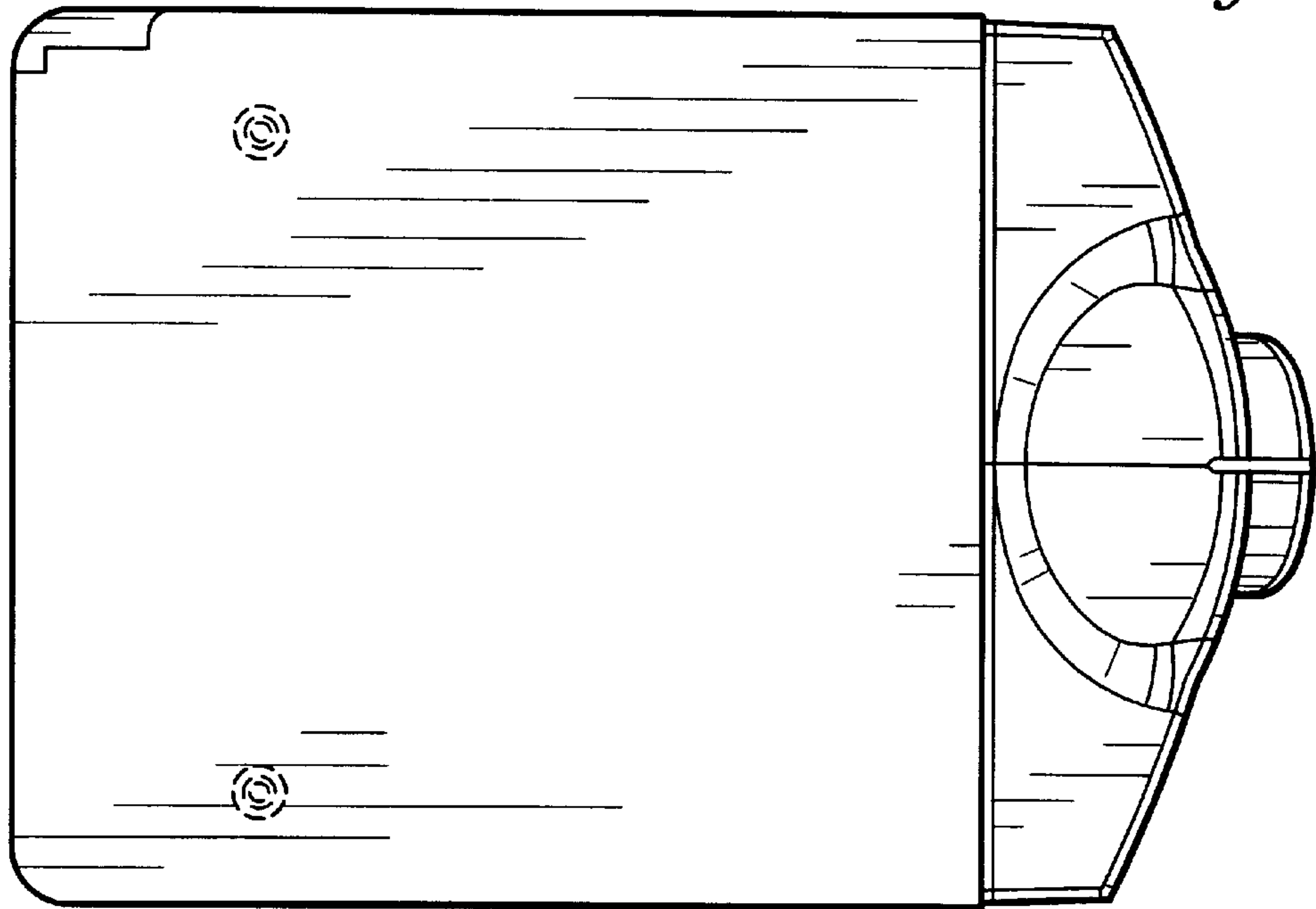
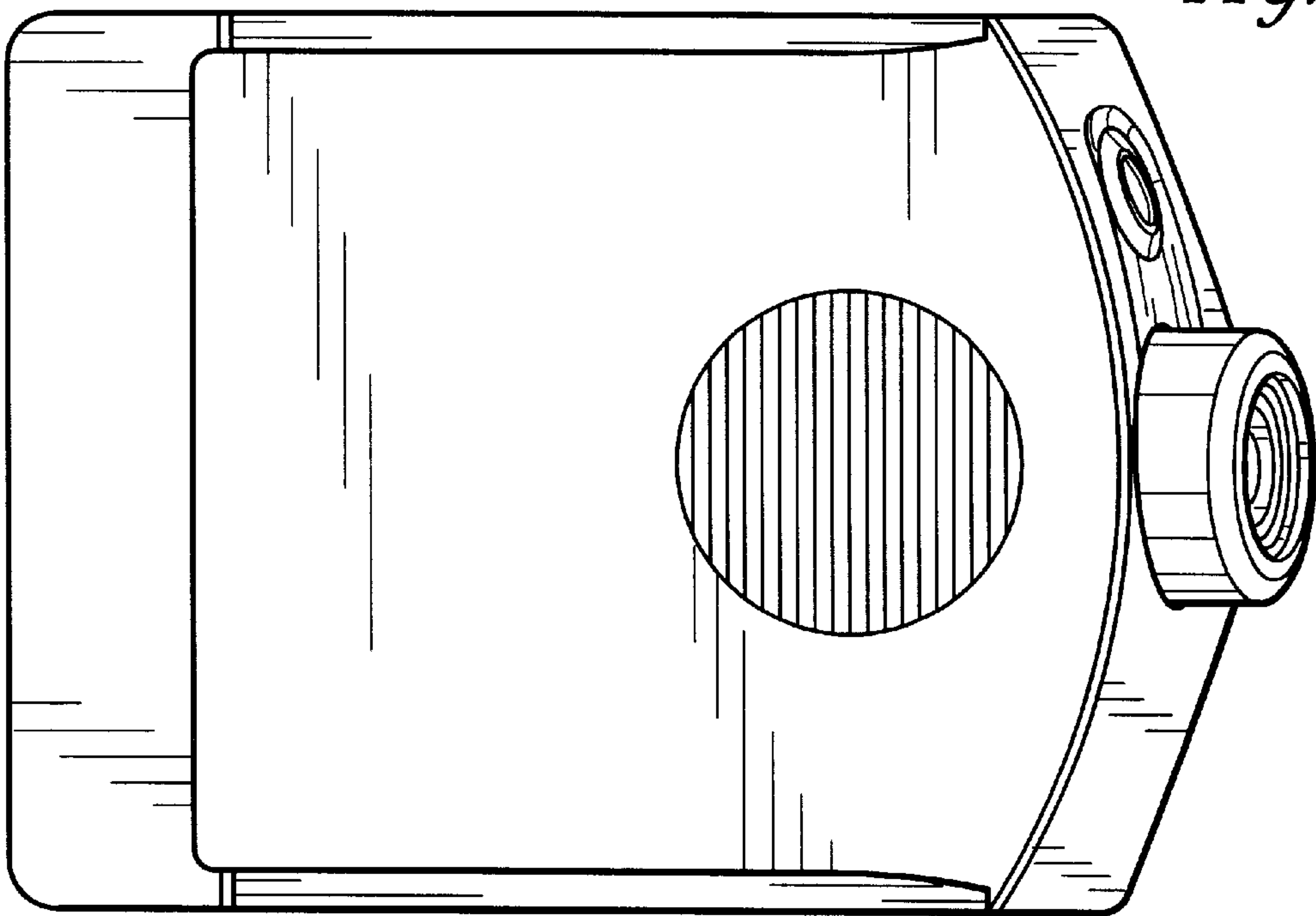


FIG. 3



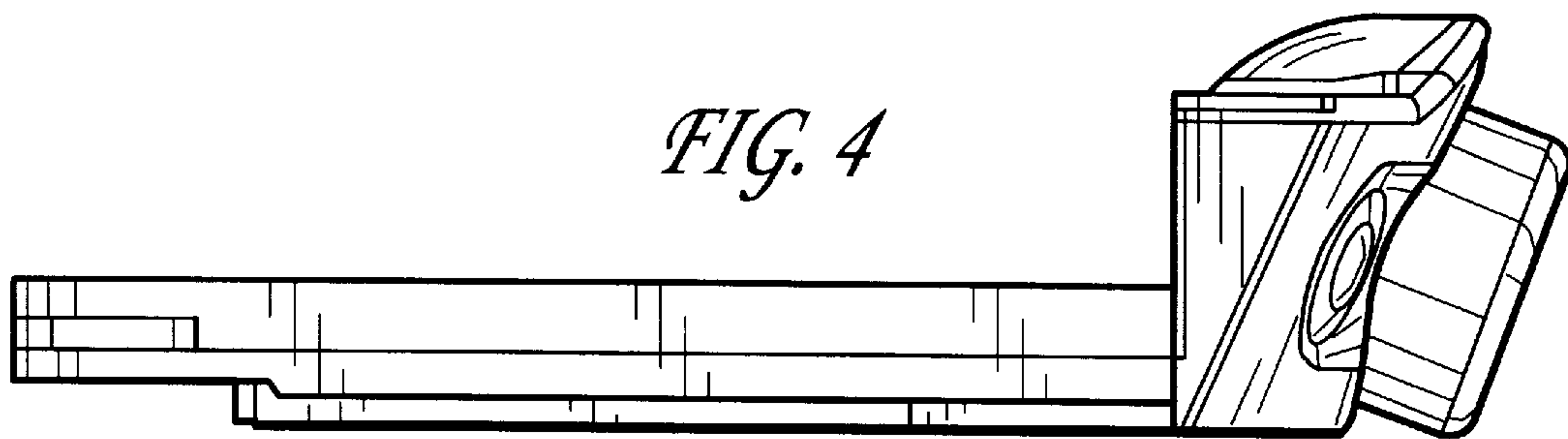


FIG. 4

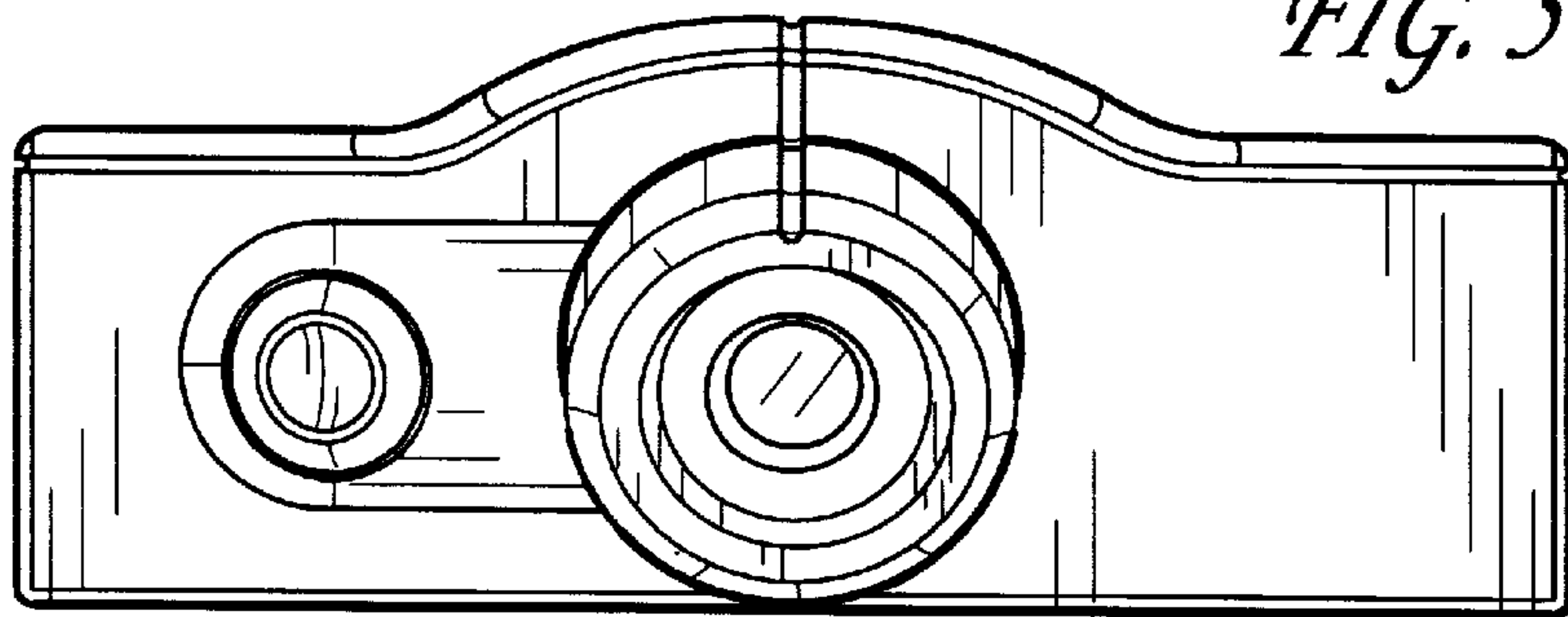


FIG. 5

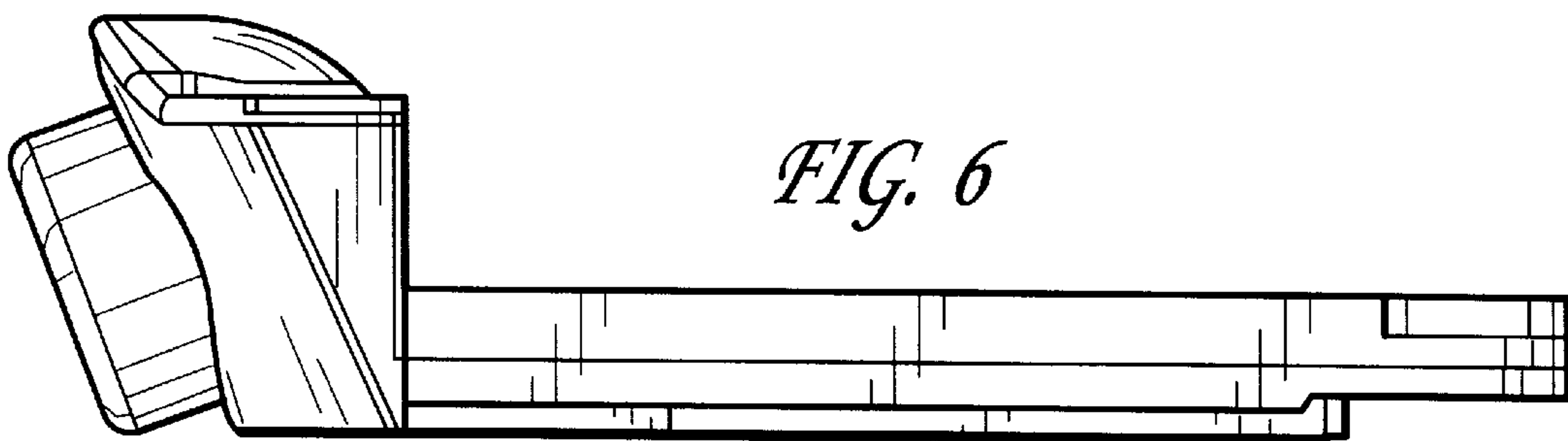


FIG. 6

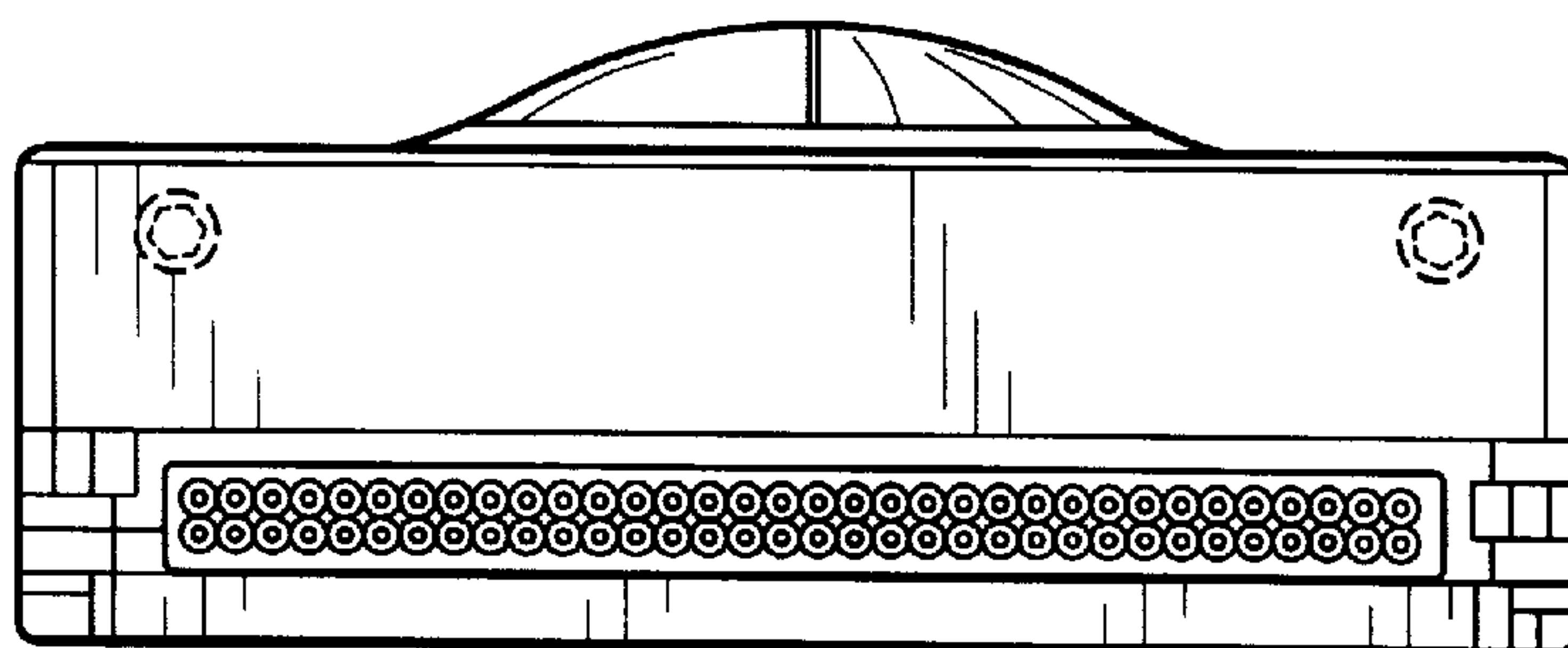


FIG. 7