



US00D449847B1

(12) **United States Design Patent**
Gotham et al.

(10) **Patent No.:** **US D449,847 S**

(45) **Date of Patent:** **** Oct. 30, 2001**

(54) **DIGITAL PROJECTOR**

(75) Inventors: **David R. Gotham**, Rochester; **Paul W. Porter**, Victor; **Samuel F. Swayze**, Fairport, all of NY (US)

(73) Assignee: **Eastman Kodak Company**, Rochester, NY (US)

(**) Term: **14 Years**

(21) Appl. No.: **29/138,423**

(22) Filed: **Mar. 13, 2001**

(51) **LOC (7) Cl.** **16-02**

(52) **U.S. Cl.** **D16/230; D16/225**

(58) **Field of Search** D16/200, 205, D16/208, 221, 225, 230, 231, 234; D21/514; 353/115, 119, 122

(56) **References Cited**

U.S. PATENT DOCUMENTS

D. 339,817	9/1993	Fukuda et al.	D16/230
D. 342,504	12/1993	Edmonson et al.	D14/124
D. 398,321	* 9/1998	Iida	D16/230
D. 420,031	* 2/2000	Yamano	D16/230

D. 421,037	*	2/2000	Kawamoto et al.	D16/231
D. 422,003	*	3/2000	Takizawa	D16/231
D. 429,270	*	8/2000	Ishibashi et al.	D16/231
D. 438,555	*	3/2001	Shiota	D16/231
D. 439,923	*	4/2001	Kawamoto	D16/231
5,550,604		8/1996	Gale et al.	353/31

* cited by examiner

Primary Examiner—Adir Aronovich

(74) *Attorney, Agent, or Firm*—Peyton C. Watkins

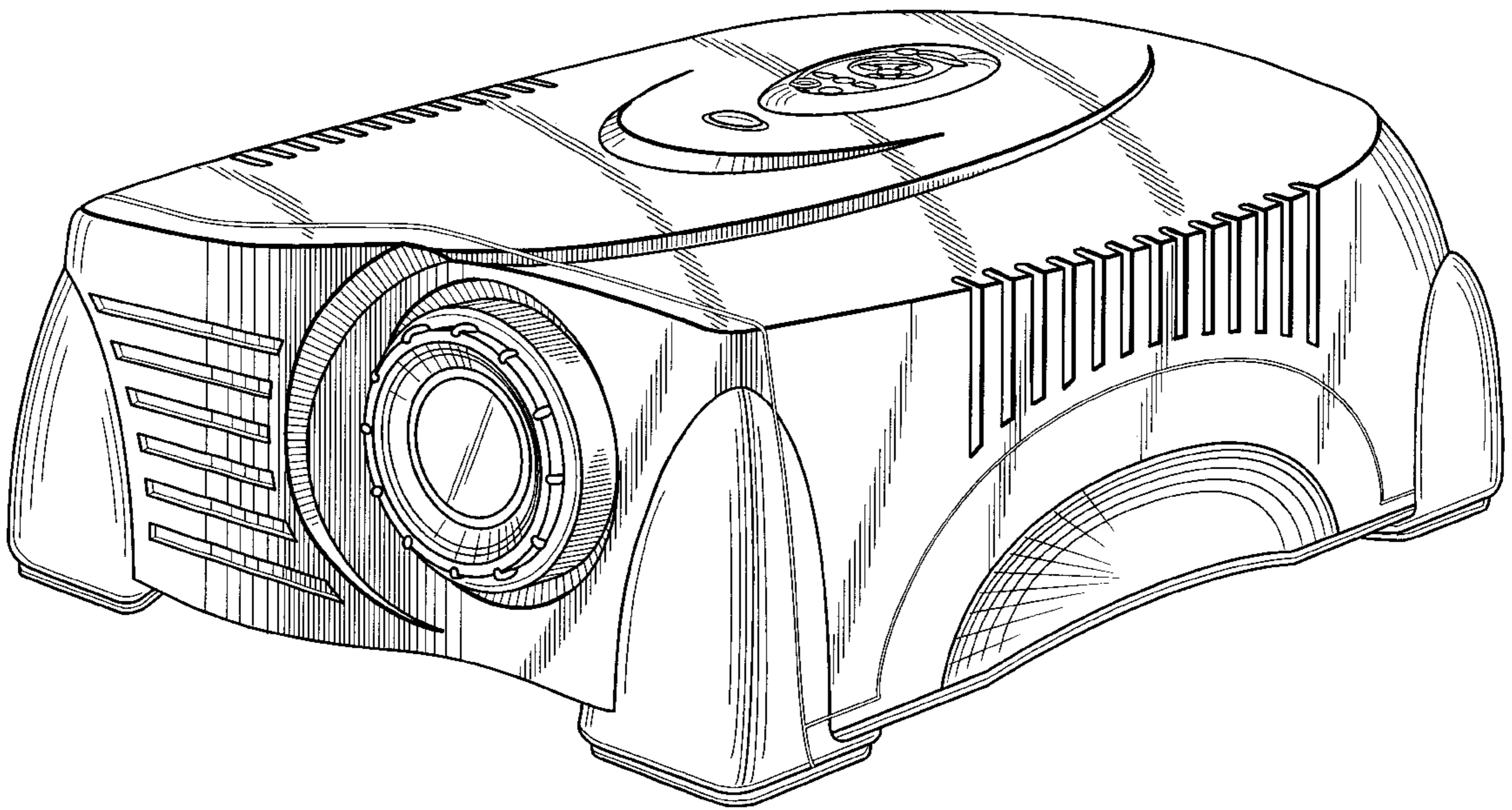
(57) **CLAIM**

The ornamental design for a digital projector, as shown and described.

DESCRIPTION

FIG. 1 is a perspective view of the digital projector according to the present invention;
FIG. 2 is a front view of the digital projector according to the present invention;
FIG. 3 is a side view of the digital projector according to the present invention; and,
FIG. 4 is a top view of the digital projector according to the present invention.

1 Claim, 4 Drawing Sheets



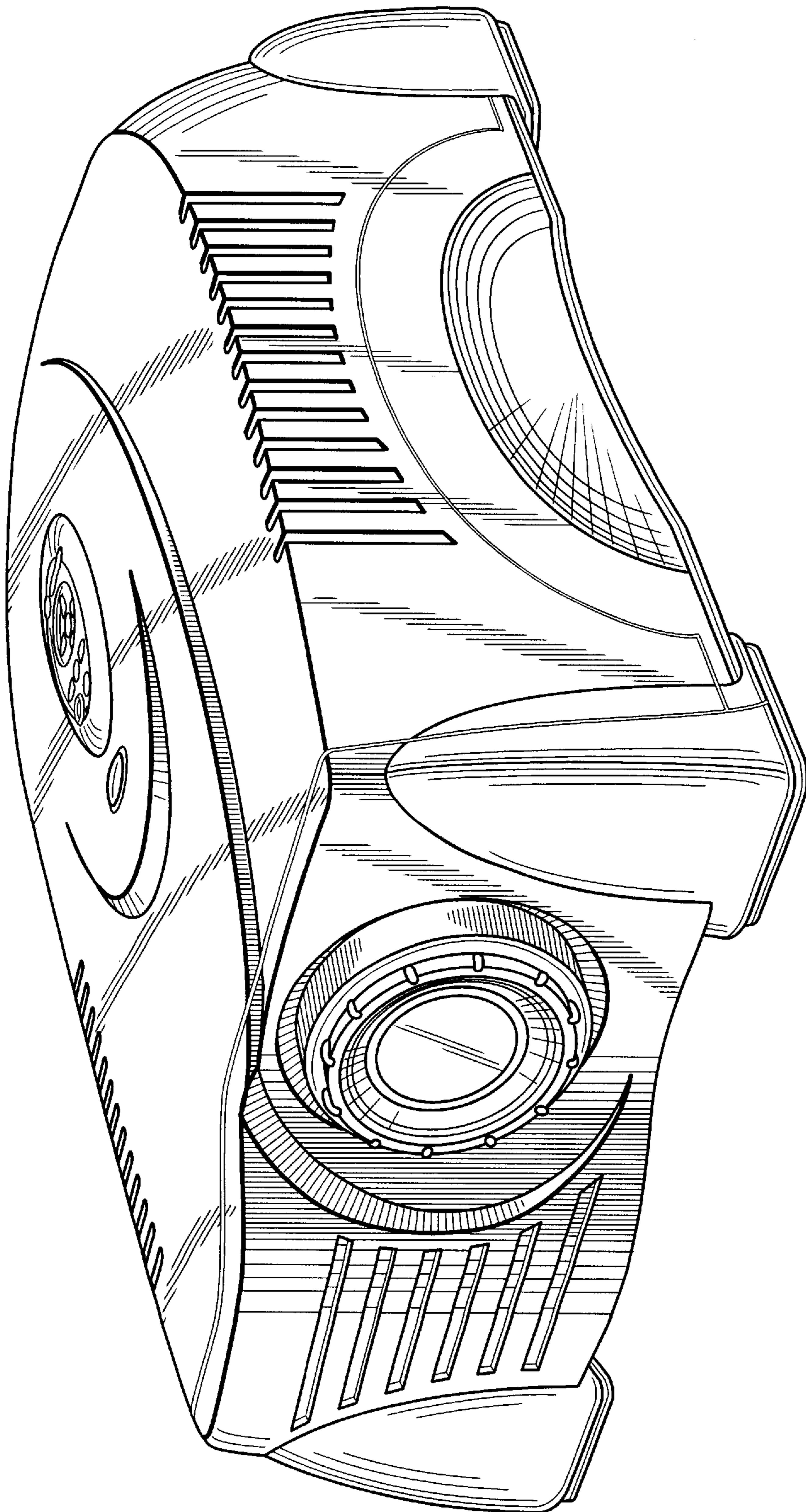


FIG. 1

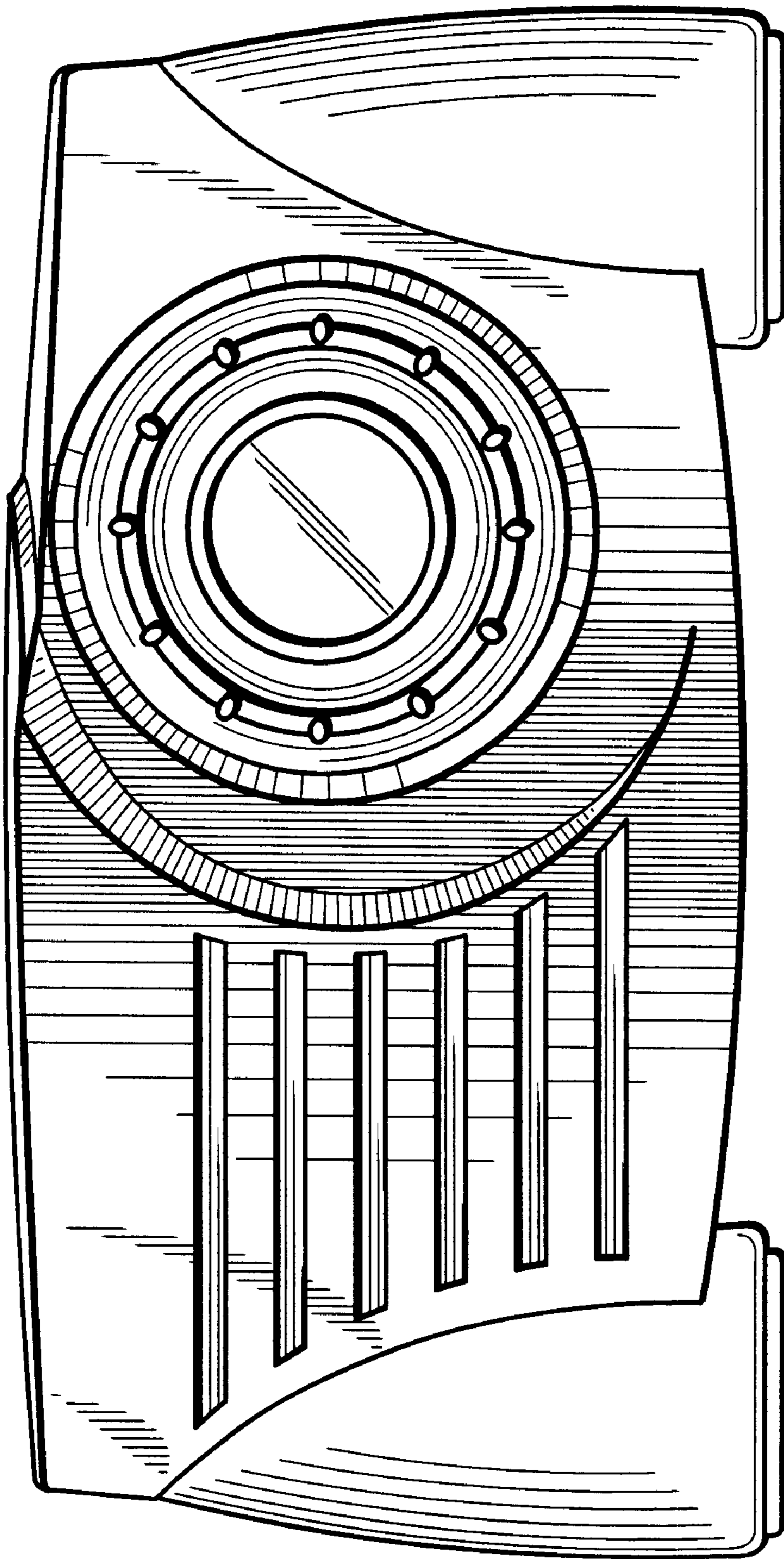


FIG. 2

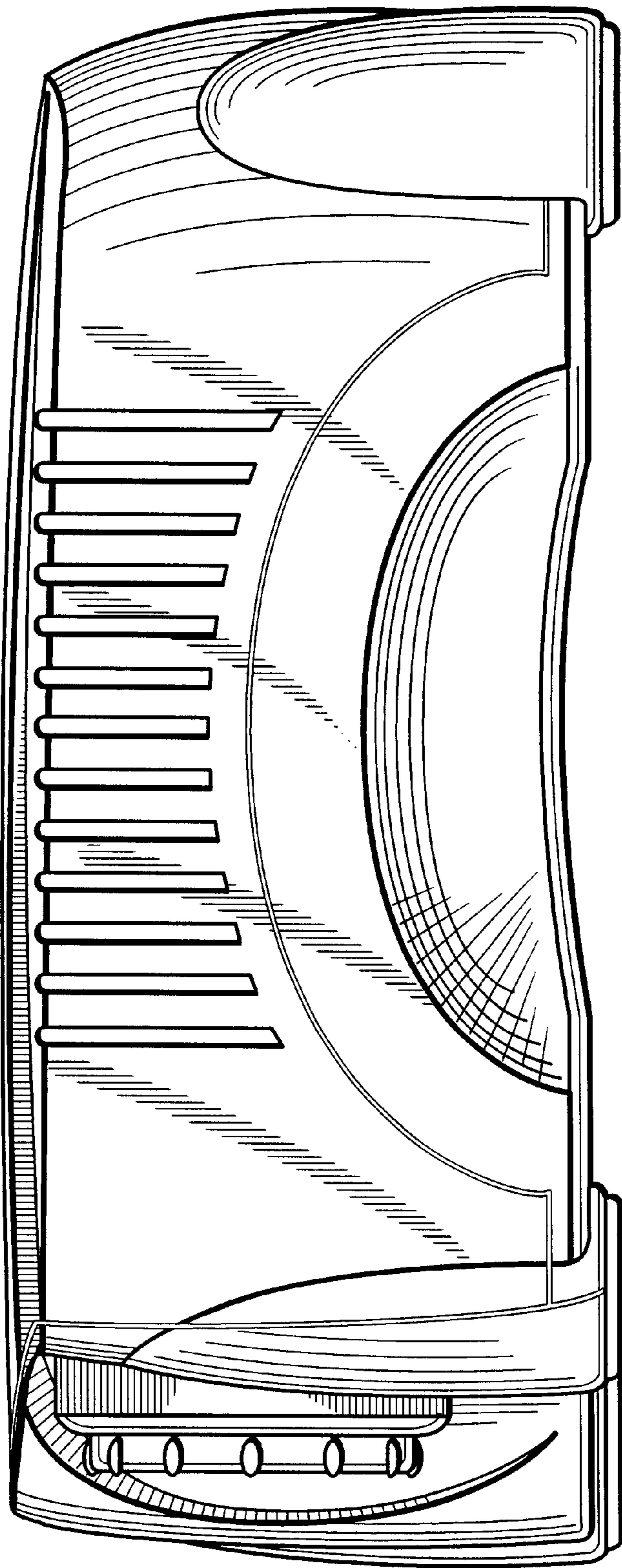


FIG. 3

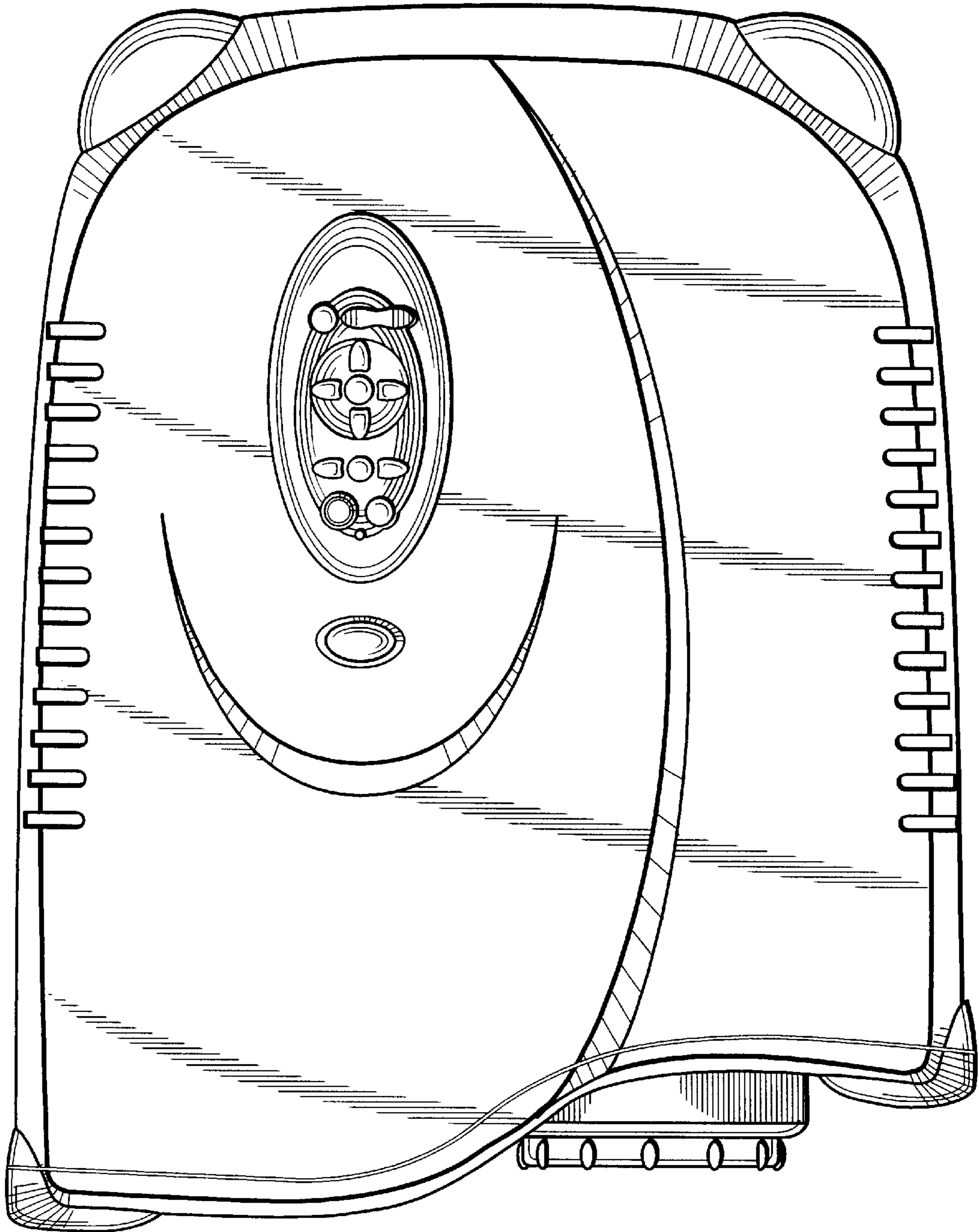


FIG. 4