



US00D449846B1

(12) **United States Design Patent**
Suzuki et al.

(10) **Patent No.:** **US D449,846 S**

(45) **Date of Patent:** **** Oct. 30, 2001**

(54) **LENS BARRIER FOR A CAMERA**

5,794,084 * 8/1998 Ikari 396/448
5,913,089 * 6/1999 Ebe 396/448

(75) Inventors: **Tatsuya Suzuki; Hiroshi Iue**, both of
Tokyo (JP)

* cited by examiner

(73) Assignee: **Olympus Optical Co., Ltd.**, Tokyo (JP)

Primary Examiner—Adir Aronovich

(74) *Attorney, Agent, or Firm*—Hogan & Hartson LLP

(**) Term: **14 Years**

(57) **CLAIM**

(21) Appl. No.: **29/134,151**

The ornamental design for a lens barrier for a camera, as shown and described.

(22) Filed: **Dec. 14, 2000**

DESCRIPTION

(30) **Foreign Application Priority Data**

Sep. 6, 2000 (JP) 12-024879

(51) **LOC (7) Cl.** **16-05**

(52) **U.S. Cl.** **D16/219**

(58) **Field of Search** D16/134, 136,
D16/200–205, 217–219; 359/511; 396/349,
448, 534–541

FIG. 1 is a top plan view of a lens barrier for a camera, showing our new design;
FIG. 2 is a front elevational view thereof;
FIG. 3 is a bottom plan view thereof;
FIG. 4 is a rear elevational view thereof;
FIG. 5 is a right side elevational view thereof;
FIG. 6 is a left side elevational view thereof;
FIG. 7 is a front elevational view thereof; with a barrier being opened; and,
FIG. 8 is a horizontal cross-sectional view thereof, taken along a line crossing a central portion of the camera.
The broken line portions of a camera are shown to illustrate environment only and form no part of the claimed design.

(56) **References Cited**

U.S. PATENT DOCUMENTS

- D. 386,773 * 11/1997 Smithborne D16/209
- D. 436,978 * 1/2001 Suzuki et al. D16/219
- 5,274,410 * 12/1993 Kuwada et al. 396/448
- 5,701,533 * 12/1997 Suzuki et al. 396/349

1 Claim, 2 Drawing Sheets

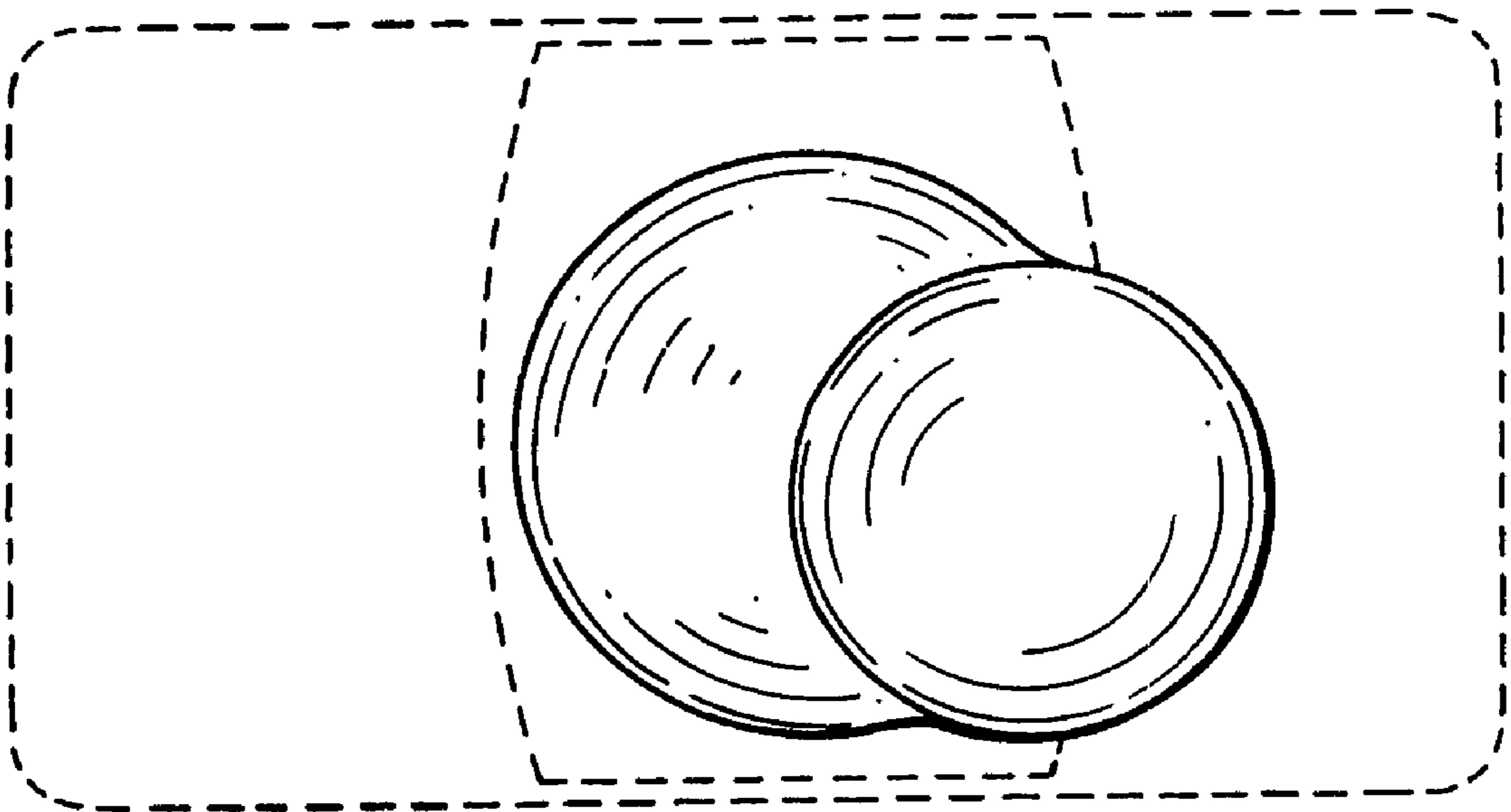


FIG. 1

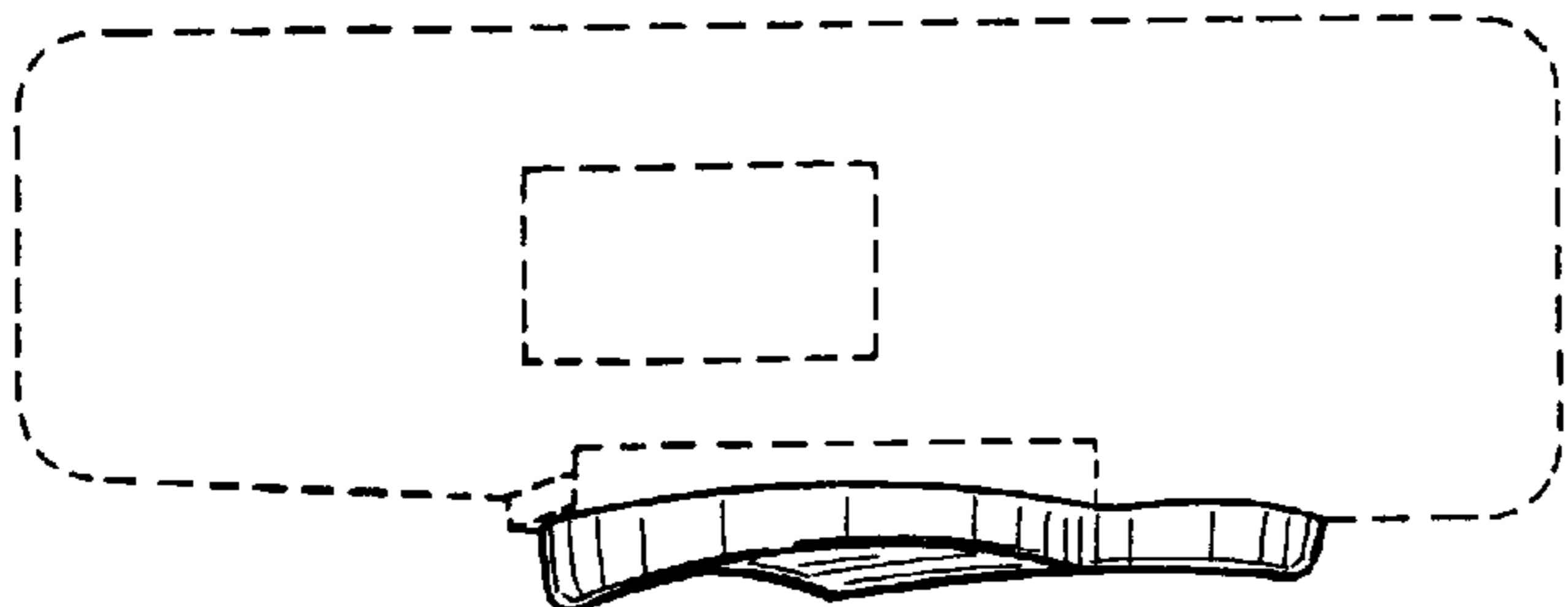


FIG. 2

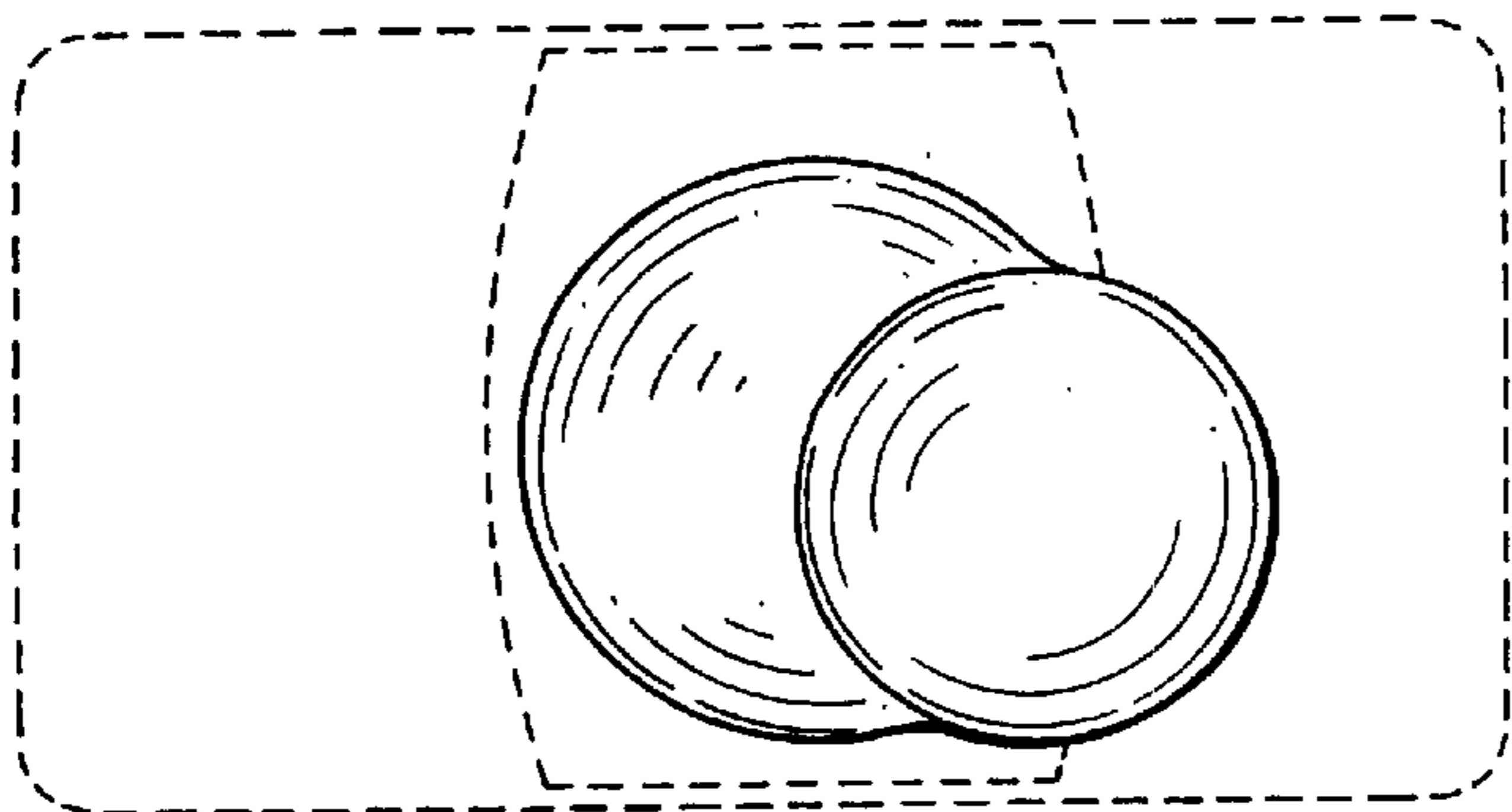


FIG. 3

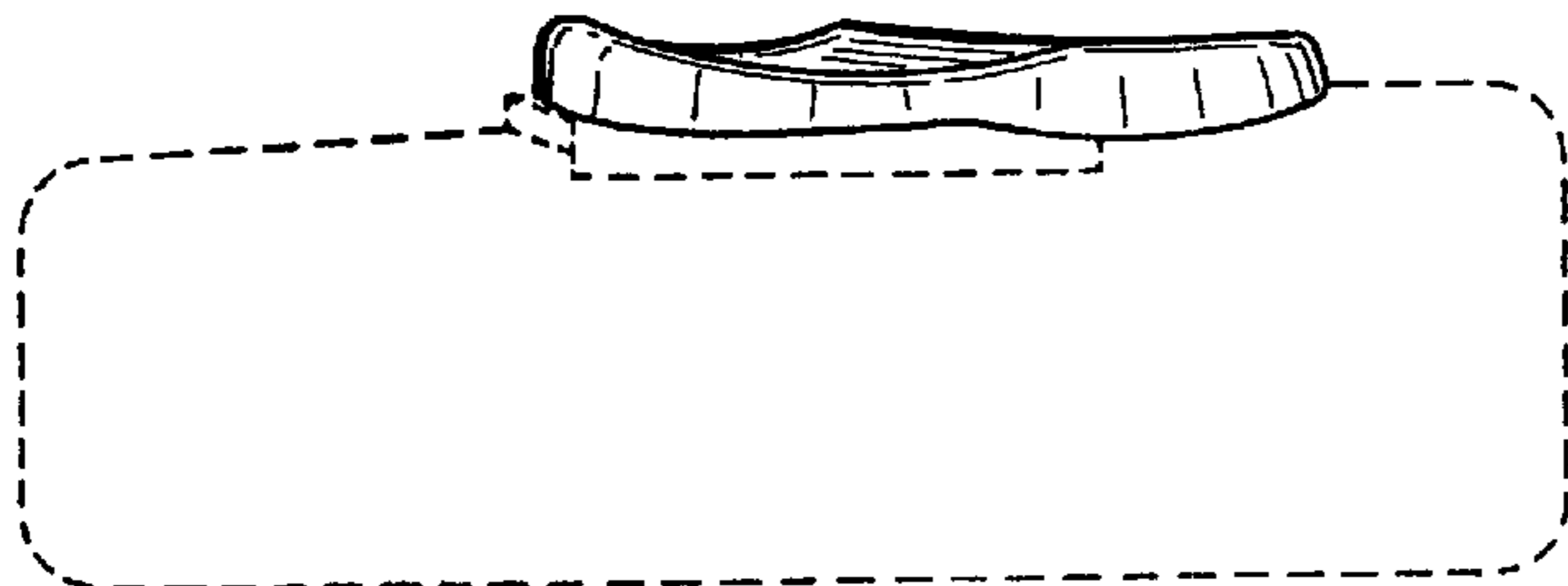


FIG. 4

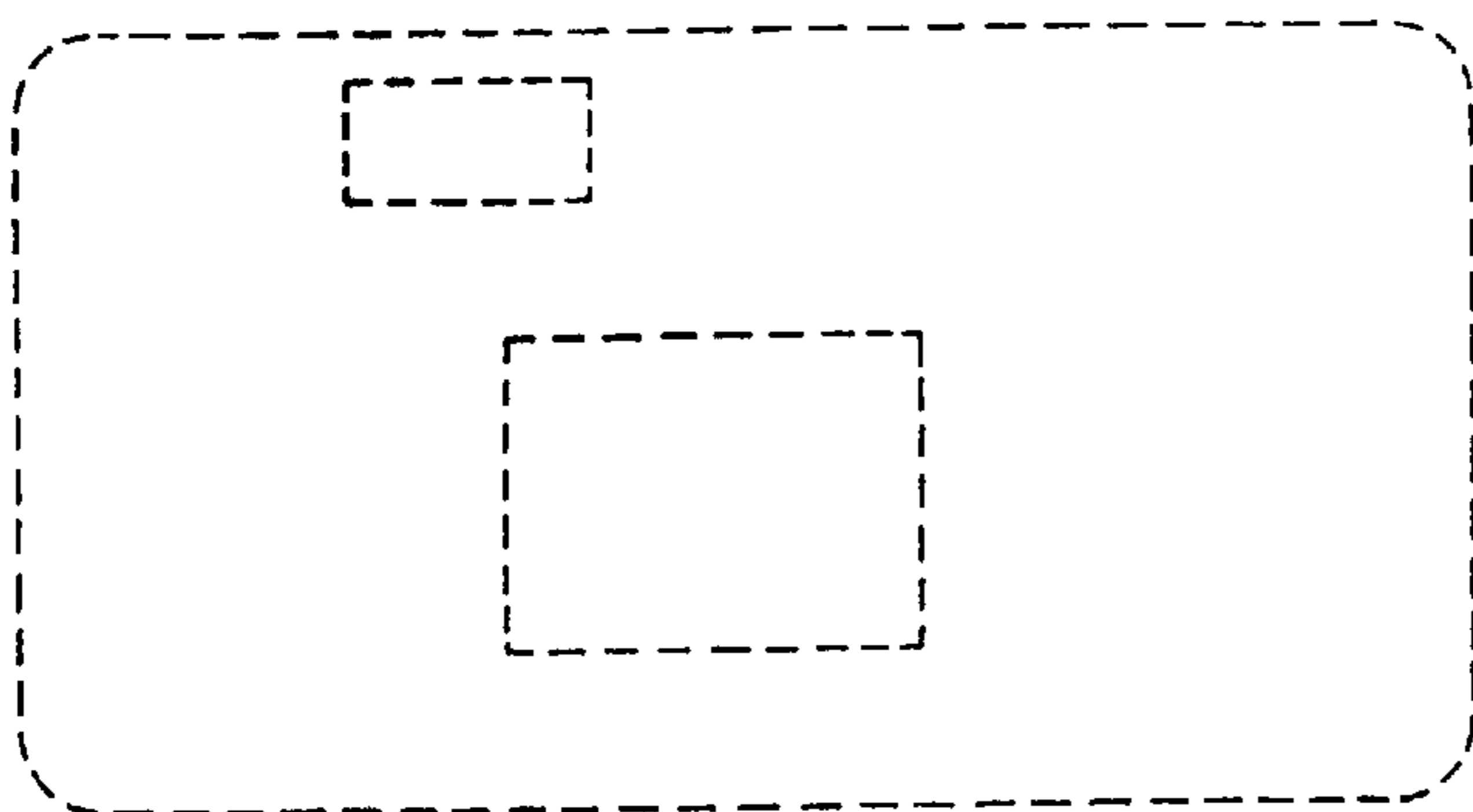


FIG. 5

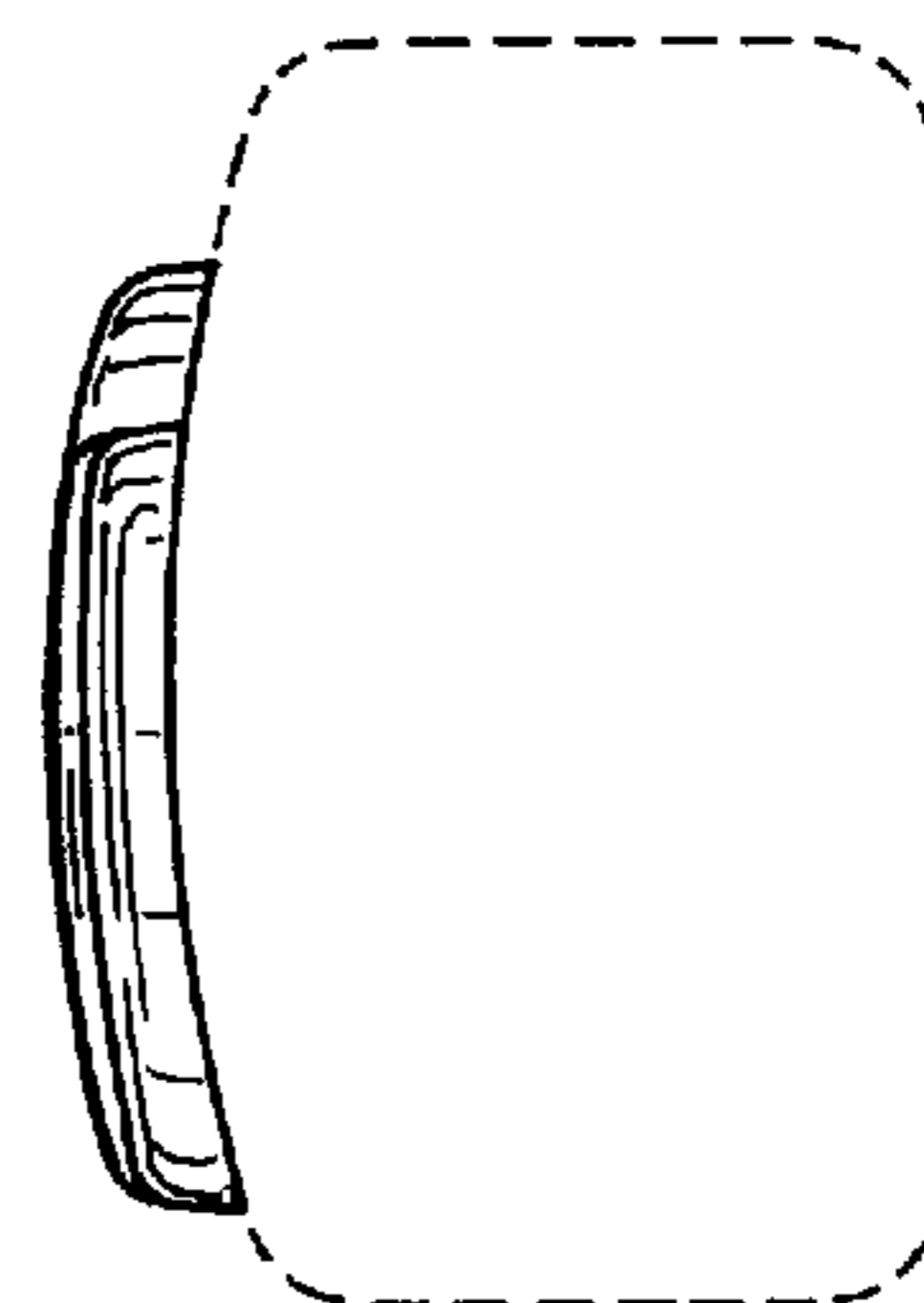


FIG. 6

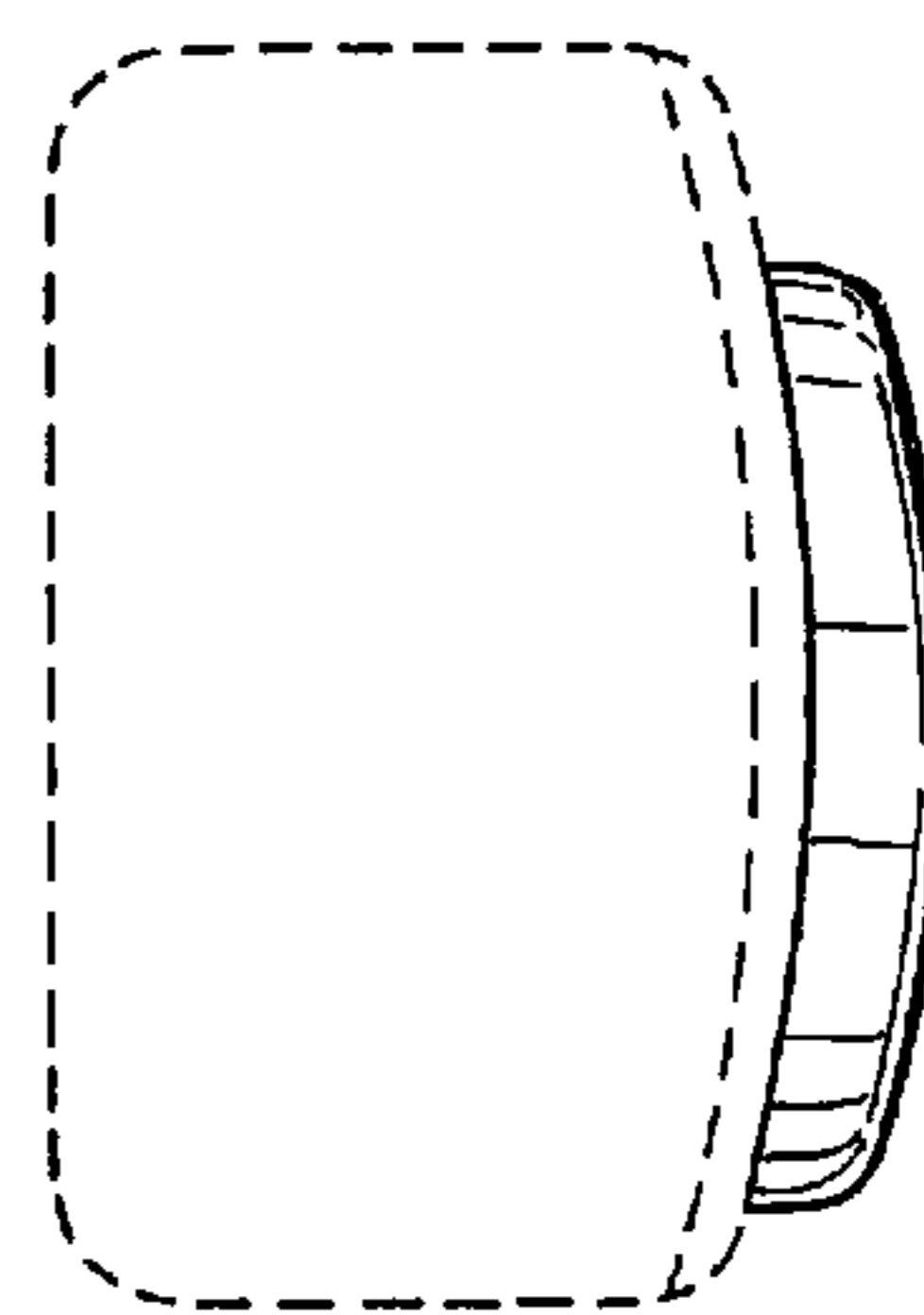


FIG. 7

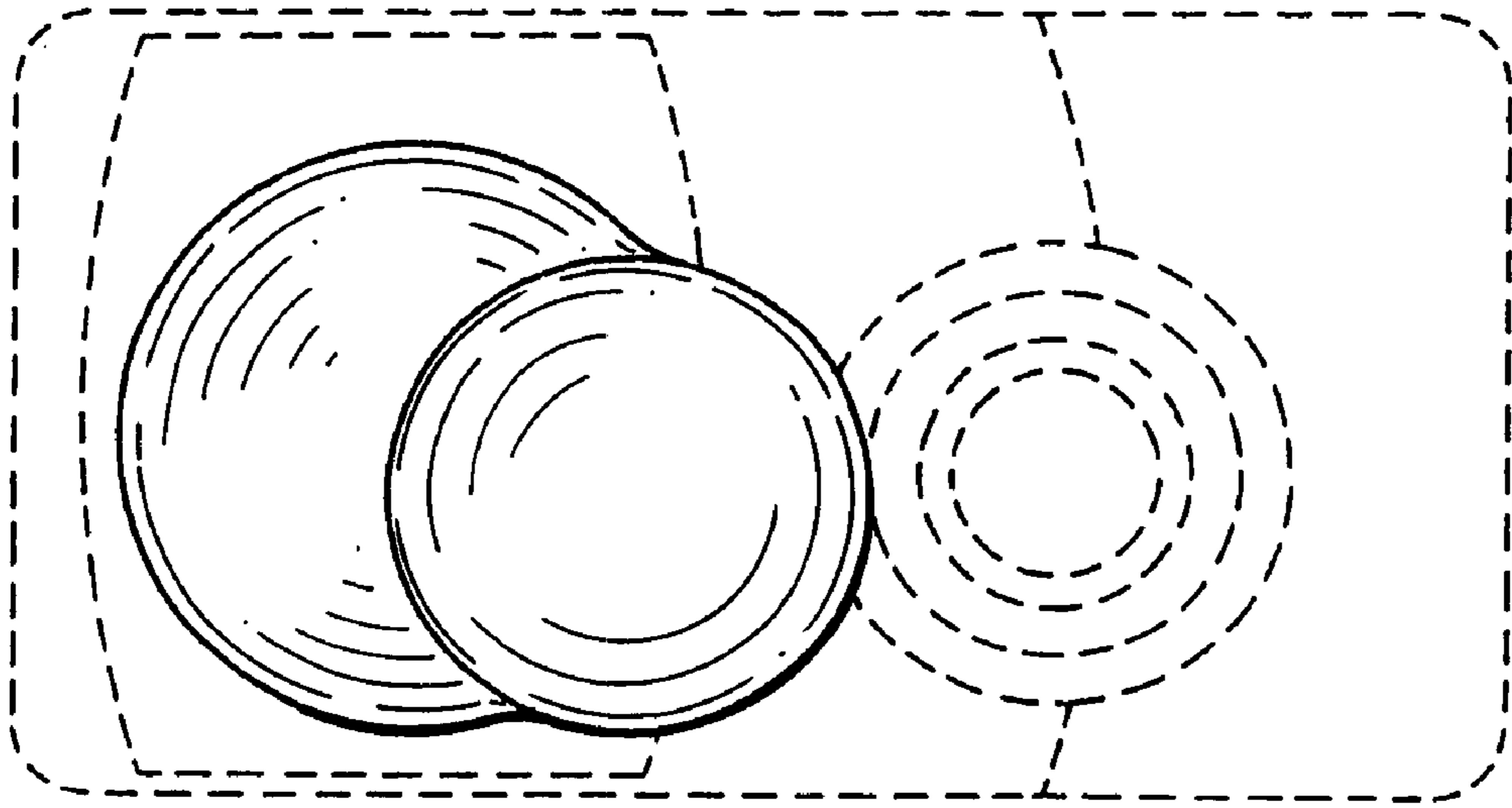


FIG. 8

