



US00D449845B1

(12) **United States Design Patent**
Reese et al.

(10) **Patent No.:** **US D449,845 S**
(45) **Date of Patent:** **** Oct. 30, 2001**

(54) **DISPLAY COOLER**

(75) Inventors: **Robert J. Reese**, Spartanburg, SC (US);
Wendell Wilson, Marietta, GA (US)

(73) Assignee: **Beverage-Air, Inc.**, Spartanburg, SC
(US)

(**) Term: **14 Years**

(21) Appl. No.: **29/112,416**

(22) Filed: **Oct. 14, 1999**

(51) **LOC (7) Cl.** **15-07**

(52) **U.S. Cl.** **D15/83**

(58) **Field of Search** D15/79, 81, 83-87;
D6/470-472; D20/4.5; 62/246, 248, 251,
275, 440, 441, 449; 312/116, 138.1, 401,
402, 404, 405, 405.1

(56) **References Cited**

U.S. PATENT DOCUMENTS

D. 92,467	*	6/1934	Gray	D15/84
D. 111,868	*	10/1938	Tyler	D6/471
D. 149,860	*	6/1948	Daggett	D15/84
D. 189,843		3/1961	Rhoads .		
D. 386,216		11/1997	Cihanek	D20/43

(List continued on next page.)

OTHER PUBLICATIONS

Beverage-Air Curve, May 12, 1997.

Beverage-Air Stylized Curve, May 12, 1997.

(List continued on next page.)

Primary Examiner—Sandra L. Morris

(57) **CLAIM**

The ornamental design for a display cooler, as shown and described.

DESCRIPTION

FIG. 1 is an elevated front perspective view of a display cooler showing our new design;

FIG. 2 is a top plan view;

FIG. 3 is a front elevational view;

FIG. 4 is a bottom plan view;

FIG. 5 is a right side elevational view;

FIG. 6 is a left side elevational view;

FIG. 7 is a rear elevational view thereof;

FIG. 8 is an elevated front perspective view of a second embodiment of a cooler;

FIG. 9 is a top plan view of a second embodiment of a cooler;

FIG. 10 is a front elevational view of a second embodiment of a cooler;

FIG. 11 is a bottom plan view of a second embodiment of a cooler;

FIG. 12 is a right side elevational view of a second embodiment of a cooler;

FIG. 13 is a left side elevational view of a second embodiment of a cooler;

FIG. 14 is a rear elevational view of a second embodiment of a cooler;

FIG. 15 is an elevated front perspective view of a third embodiment of a cooler;

FIG. 16 is a top plan view of a third embodiment of a cooler;

FIG. 17 is a front elevational view of a third embodiment of a cooler;

FIG. 18 is a bottom plan view of a third embodiment of a cooler;

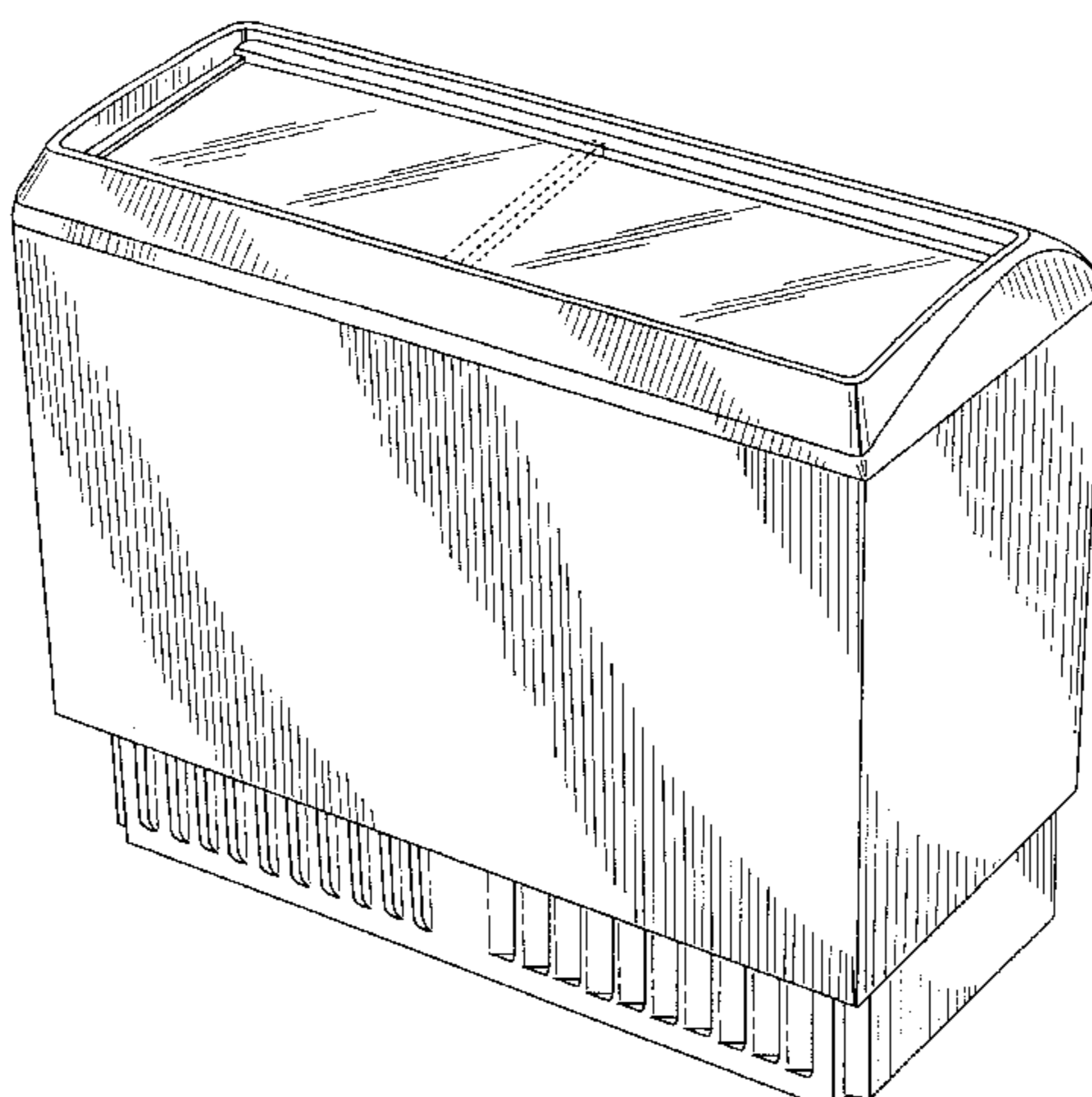
FIG. 19 is a right side elevational view of a third embodiment of a cooler;

FIG. 20 is a left side elevational view of a third embodiment of a cooler; and,

FIG. 21 is a rear elevational view of a third embodiment of a cooler.

The broken lines showing a handle on the glass door in FIGS. 1, 2, 8, 9, 15, and 16 are for illustrative purposes only and forms no part of the claimed design.

1 Claim, 12 Drawing Sheets



U.S. PATENT DOCUMENTS

708,043	9/1902	Hicks	62/249
1,647,785	11/1927	Coughlin .	
2,112,599	3/1938	Heitman .	
2,201,265	5/1940	Hill .	
2,276,634	3/1942	Weber .	
2,397,403	3/1946	Bishop .	
2,459,243	1/1949	Schwartz	62/264
2,465,934	3/1949	Sanders .	
2,499,089	2/1950	Brill et al. .	
2,504,520	4/1950	Greiling .	
2,632,313	4/1953	Fehr	62/264
3,097,899	7/1963	Dean et al. .	
3,287,073	11/1966	Holtkamp .	
3,359,755	12/1967	Creech	62/447
3,590,594	7/1971	Arend	62/447
3,759,059	9/1973	Kenyon	62/246
4,274,267	6/1981	James et al.	62/252
4,288,992	9/1981	Eliason	62/256
4,449,761 *	5/1984	Davis et al.	312/116
4,598,828	7/1986	Young et al.	211/59.2
4,750,335	6/1988	Wallace et al.	62/248
4,836,622	6/1989	Ferguson	312/114
4,941,327	7/1990	Miles	62/246
4,977,754	12/1990	Upton et al.	62/248
4,979,376	12/1990	Biehl et al.	62/264

5,046,328	9/1991	Yoshida et al.	62/248
5,277,486	1/1994	Bustos	312/125
5,606,863	3/1997	Kicklighter et al.	62/89
5,813,569	9/1998	Cihanek	221/150 R

OTHER PUBLICATIONS

- Beverage–Air Flat, May 12, 1997.
- Beverage–Air Cold–Flo Gravity Shelf Organizer–Brochure, May 1990.
- Beverage–Air Cold–Flo Phase II One Piece Gravity Organizer Brochure, May 1990.
- Beverage–Air Brochure for Model MT52–C, 1977.
- Beverage–Air Slide Door Marketeers Brochure for Models MT 33, 38, 45, 66, 1986.
- Beverage–Air Floral Cabinet Model FC45GE Brochure, May 1990.
- Beverage–Air Gravity Feed Can Rack Drawing (403–170A), 1983.
- Electrify MRI Color Brochure, 2 pages, at least as early as Oct., 1998.
- Cavalier Color Brochure for Sobe Modular Cooler.
- Truetrack II One Piece Self–Serve Organizer Brochure, May 1990.

* cited by examiner

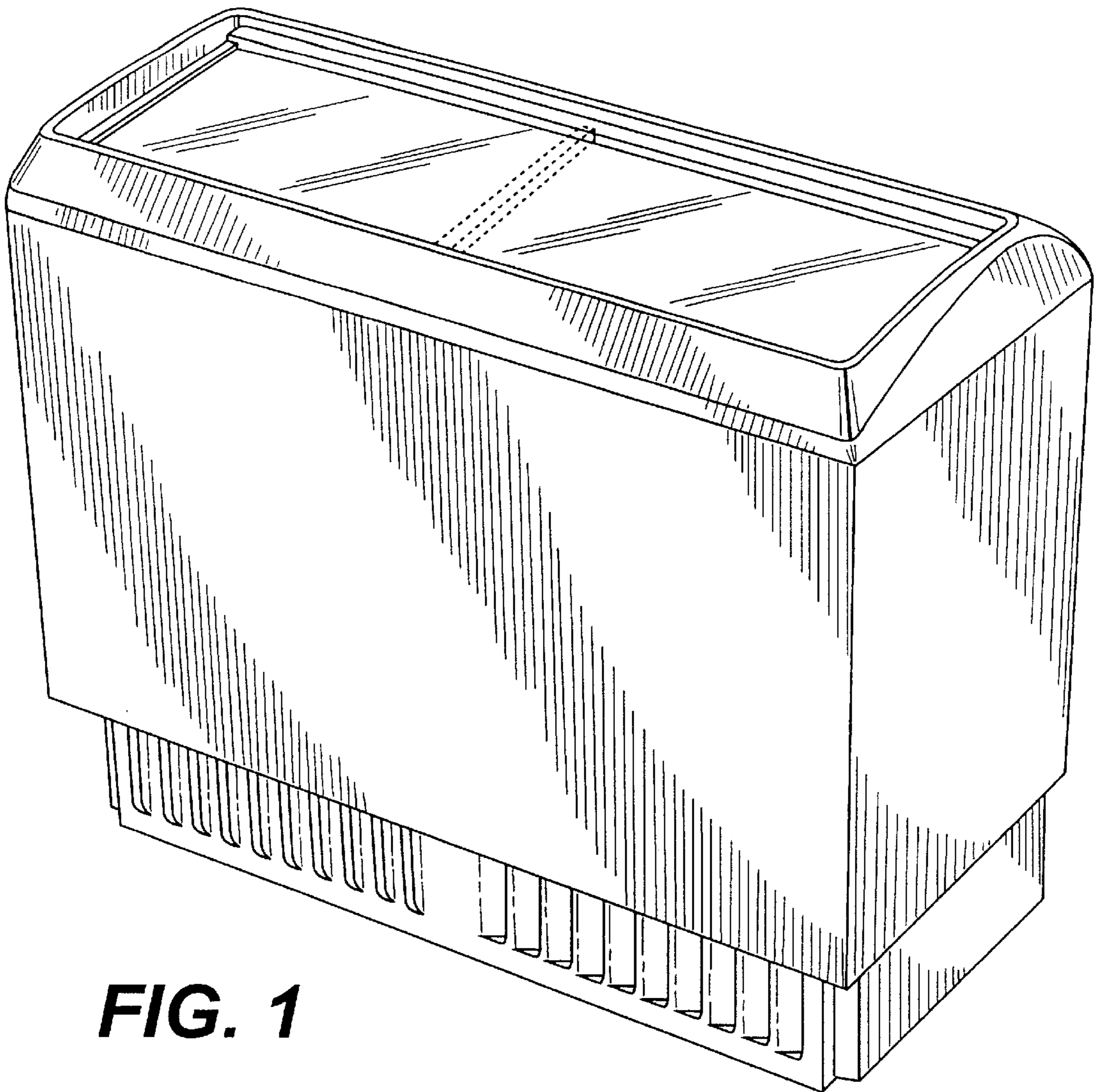


FIG. 1

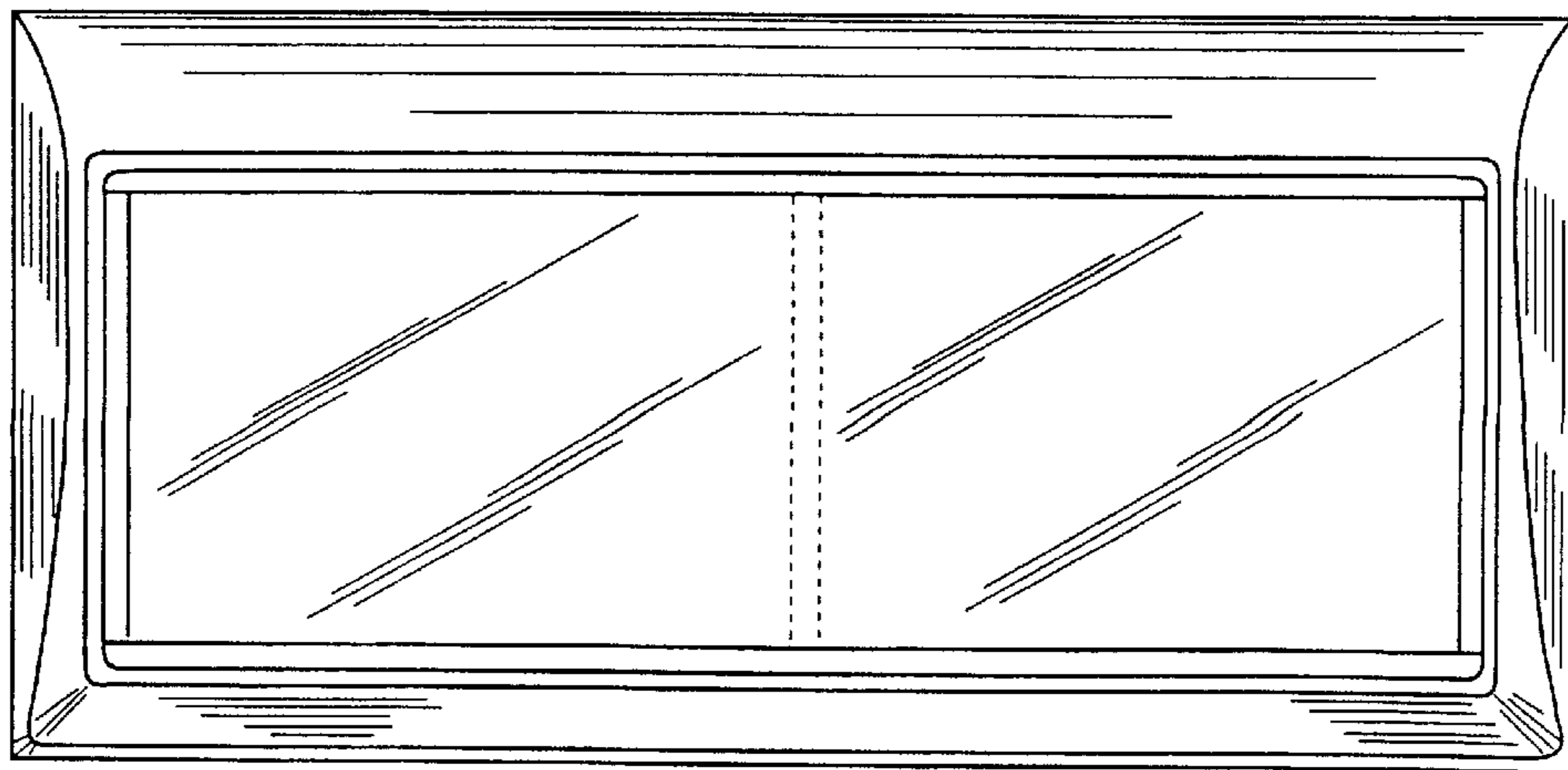


FIG. 2

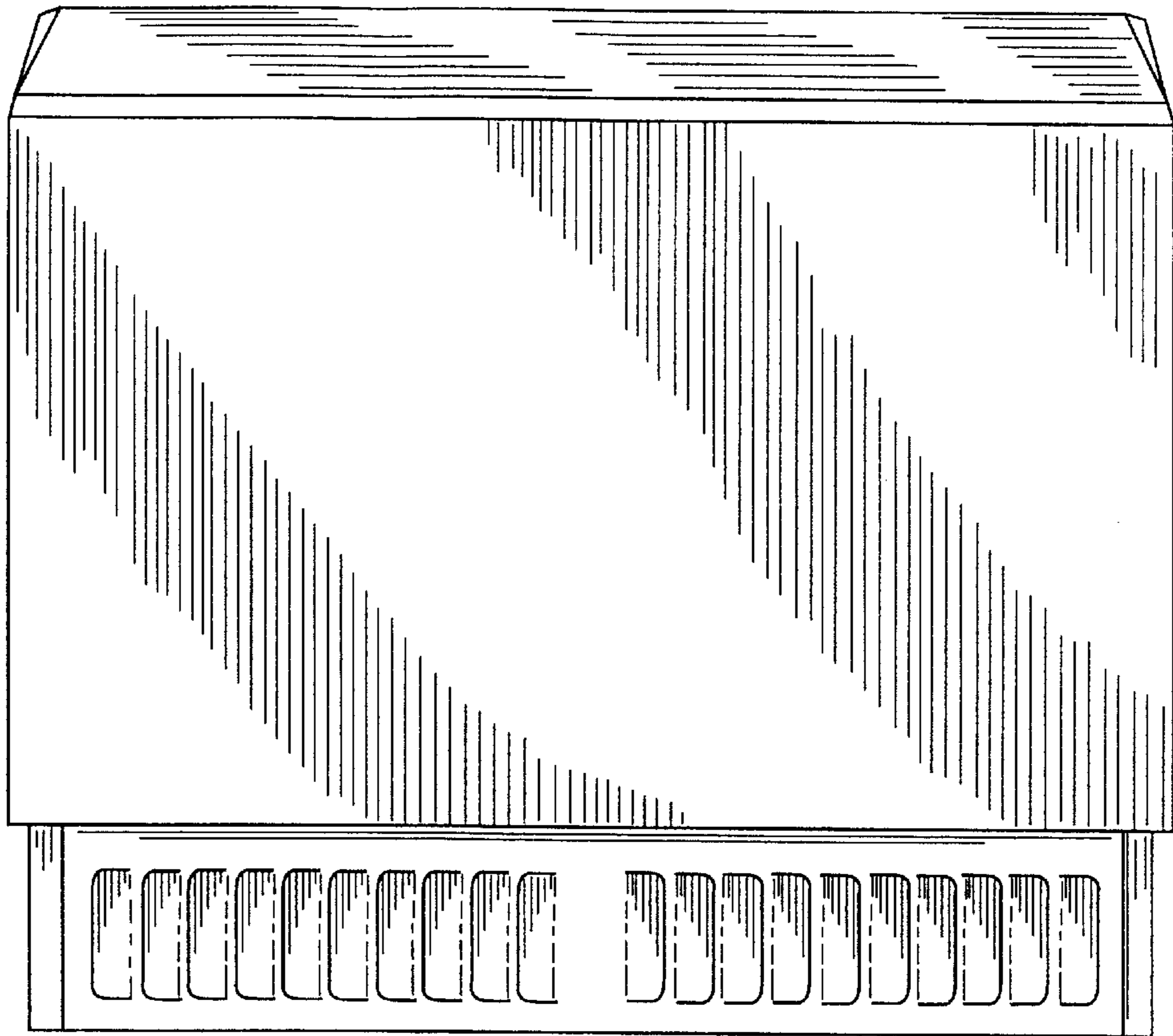


FIG. 3

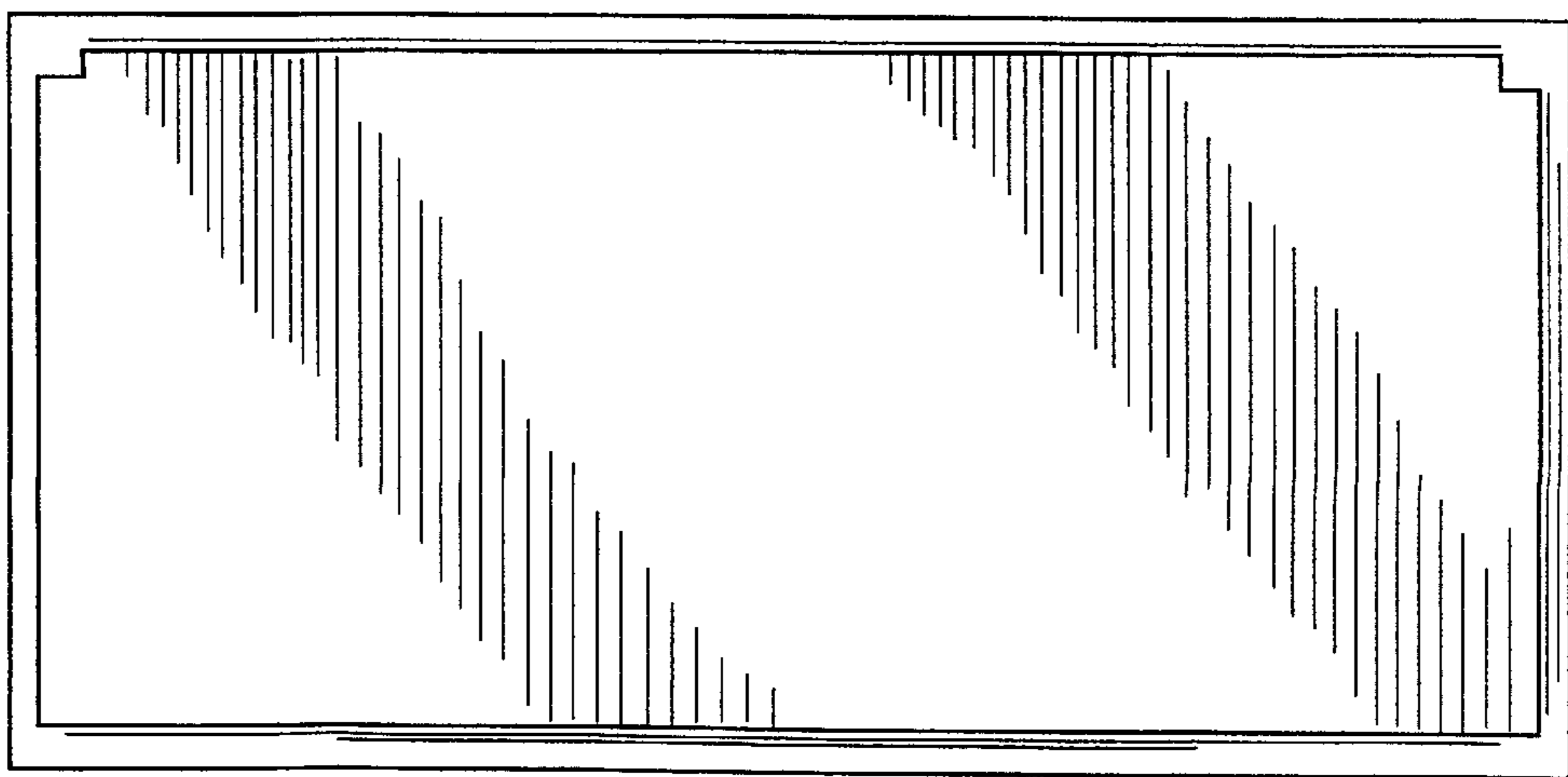


FIG. 4

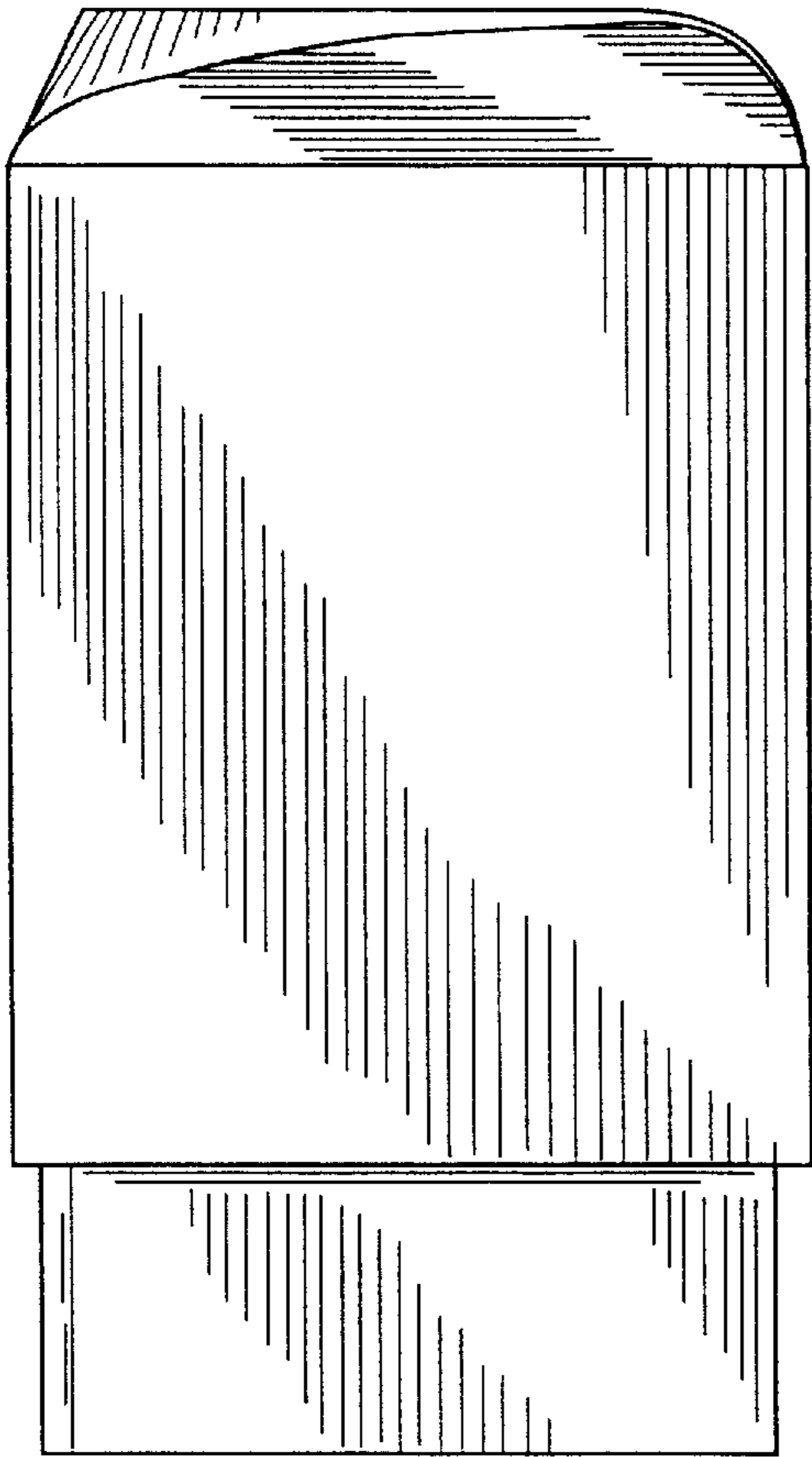


FIG. 5

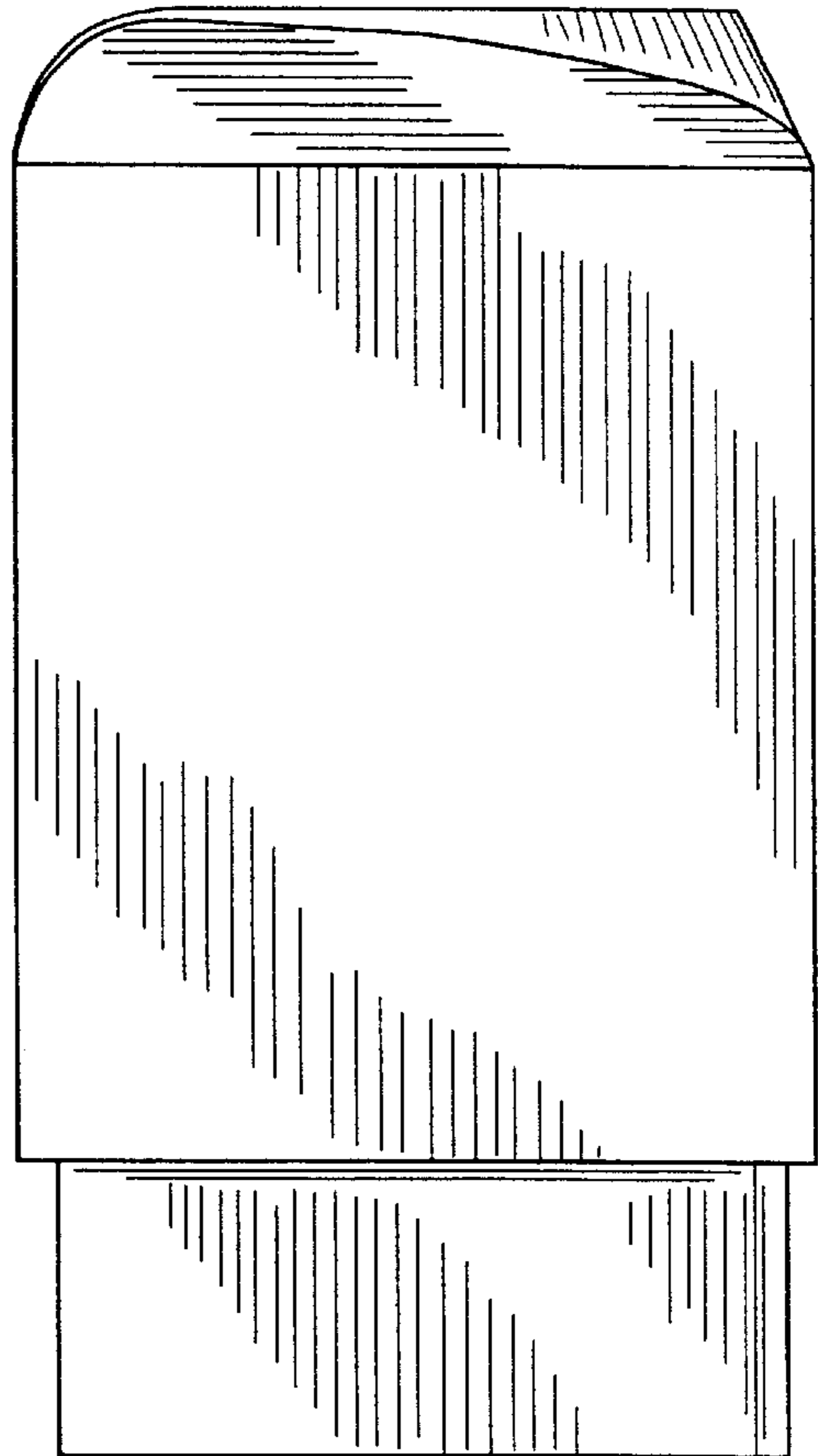


FIG. 6

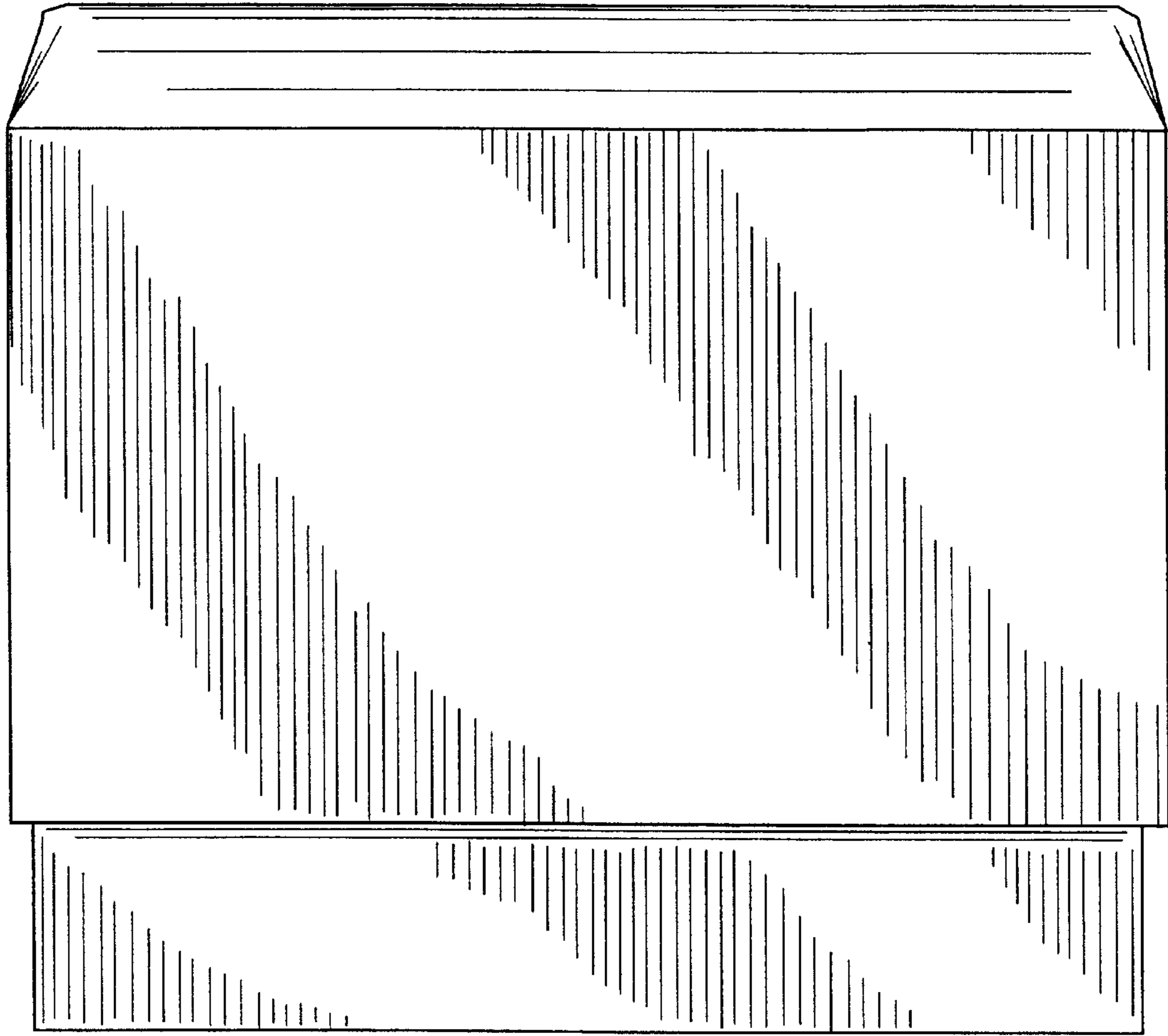


FIG. 7

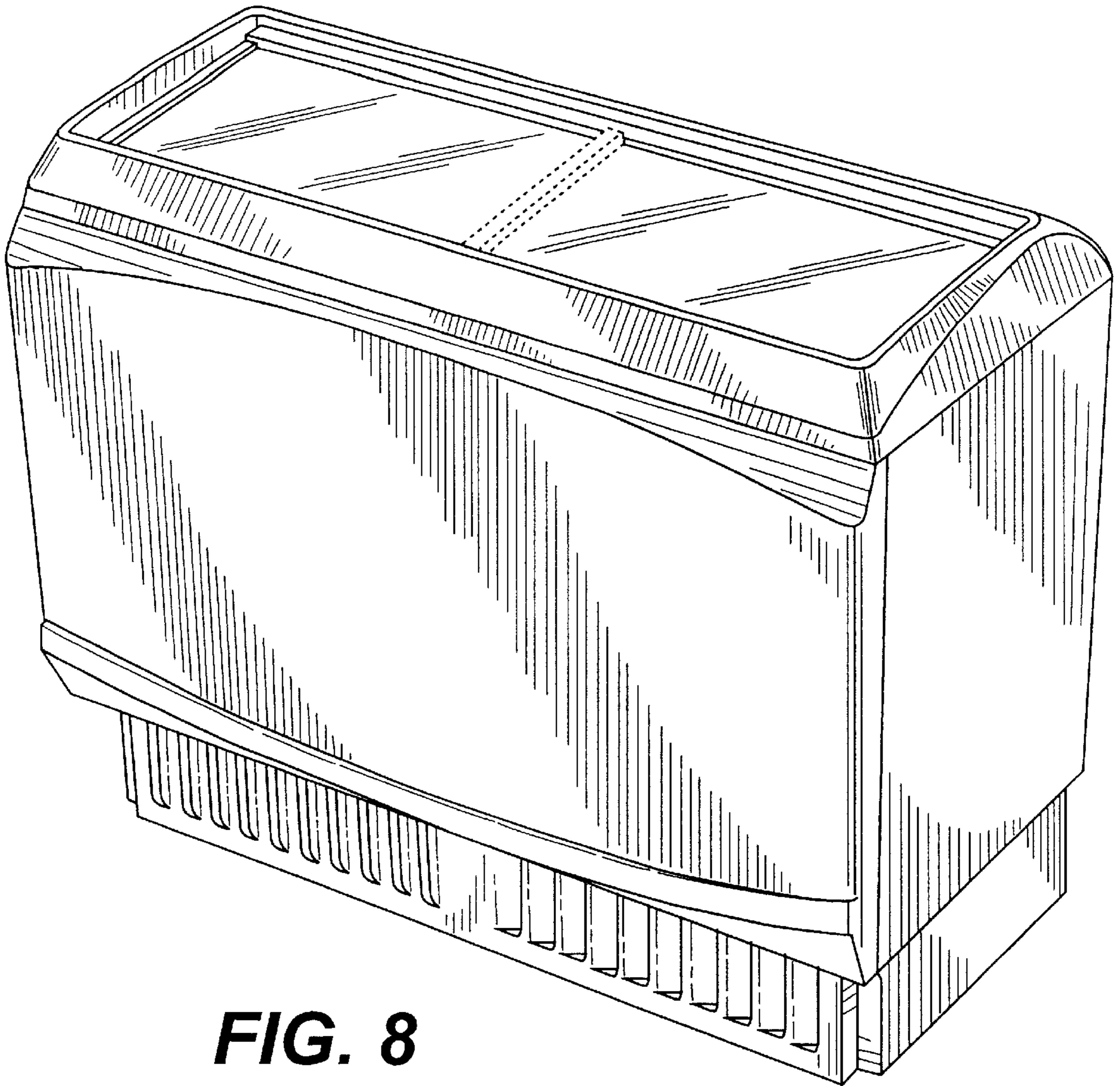


FIG. 8

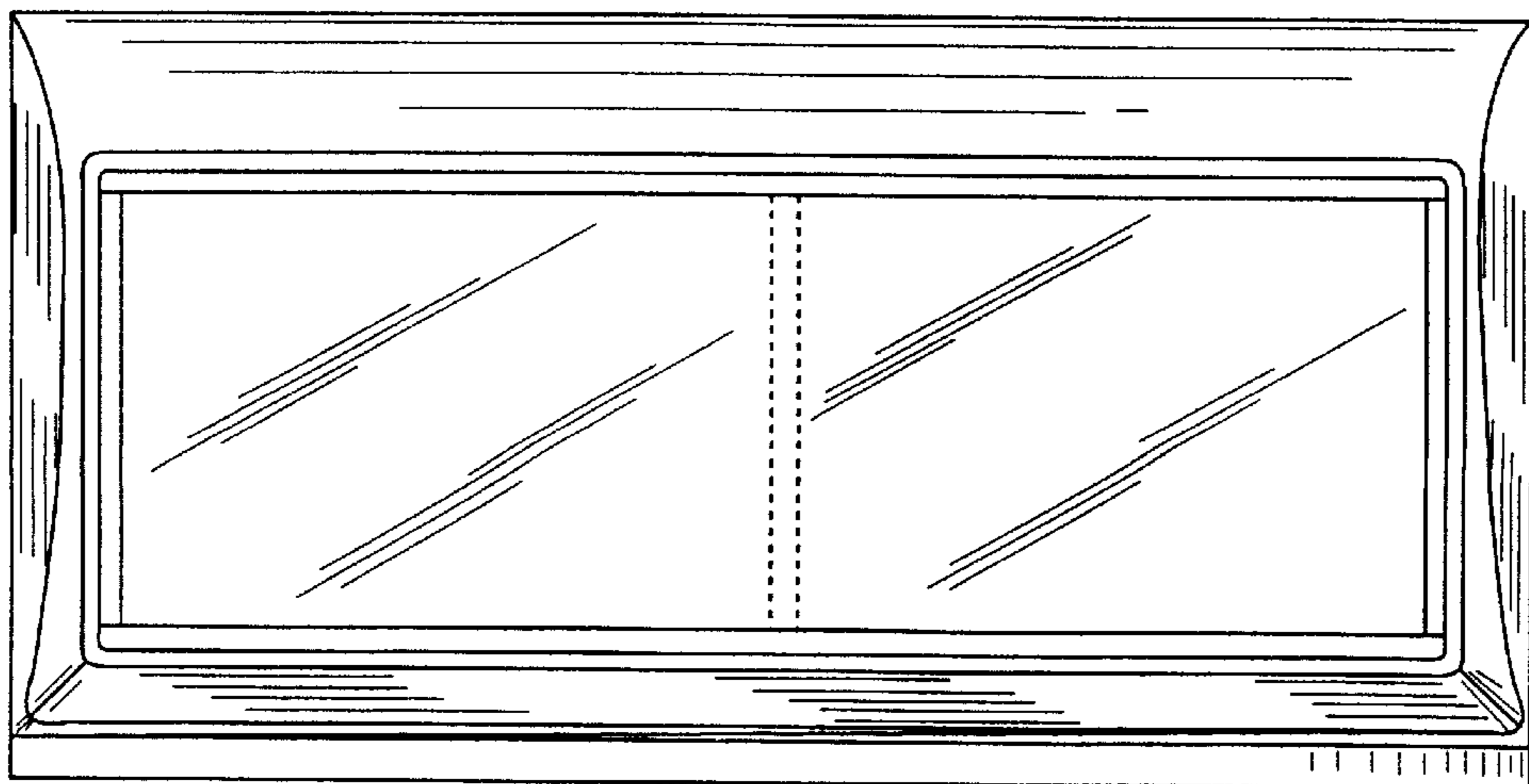


FIG. 9

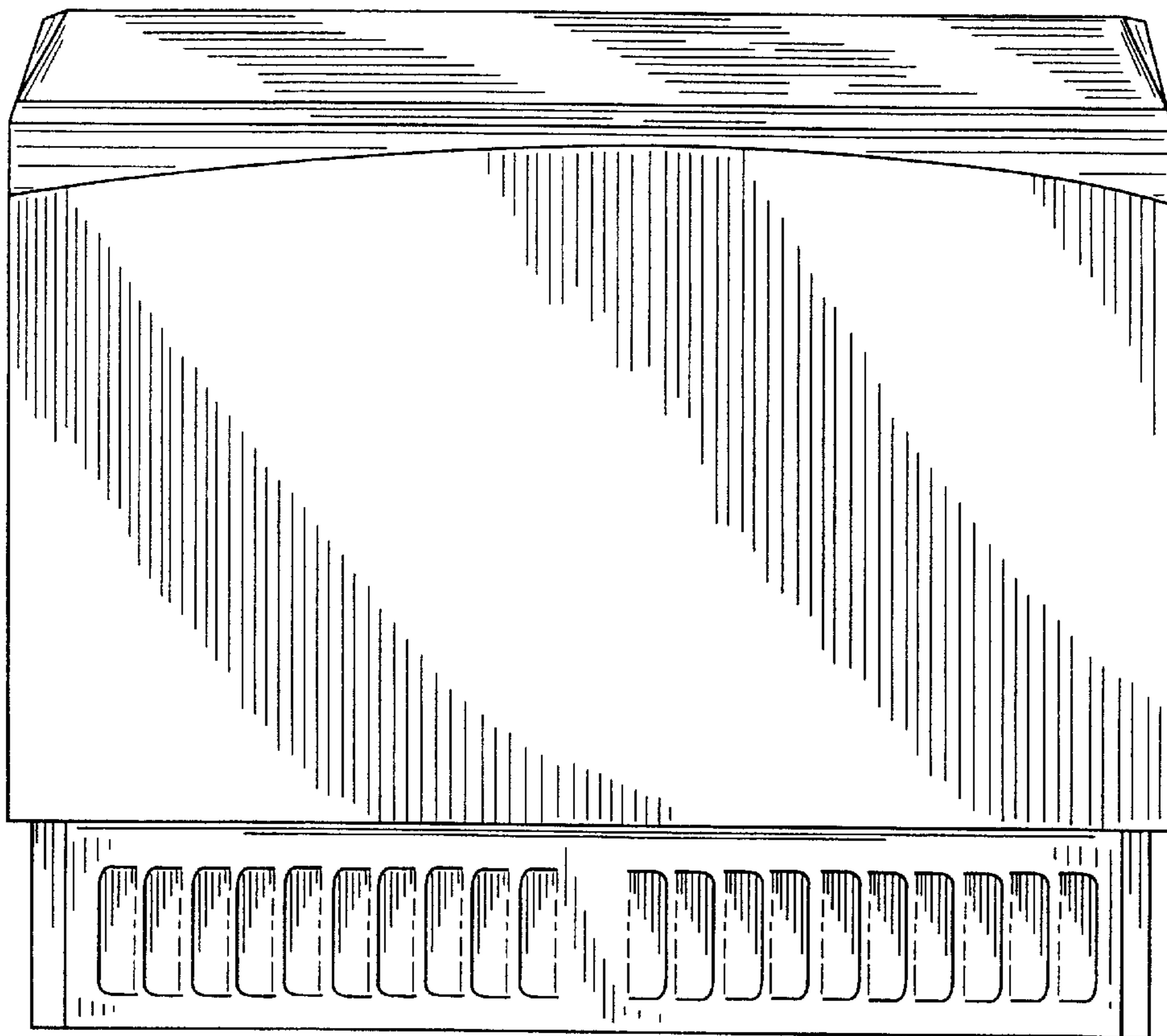


FIG. 10

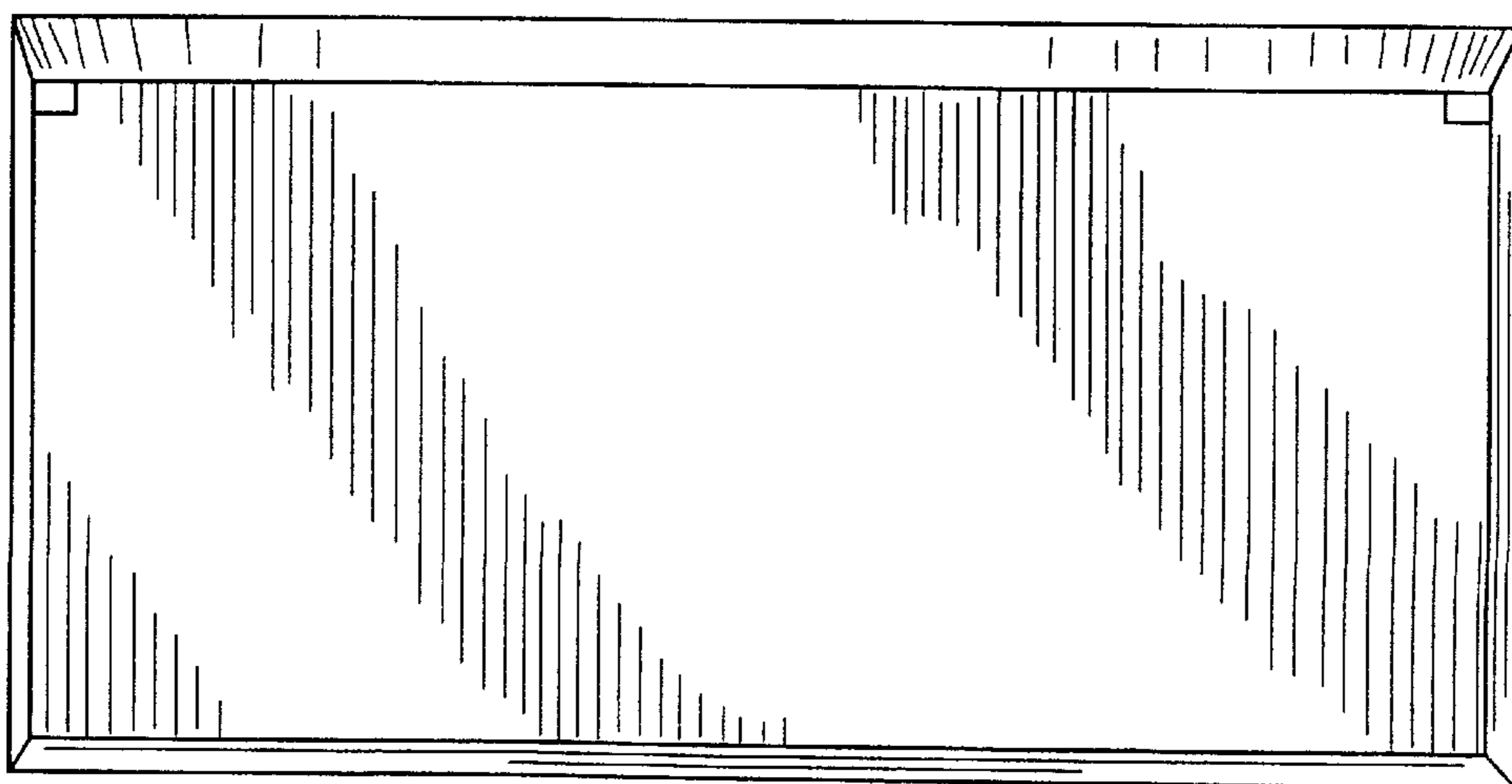


FIG. 11

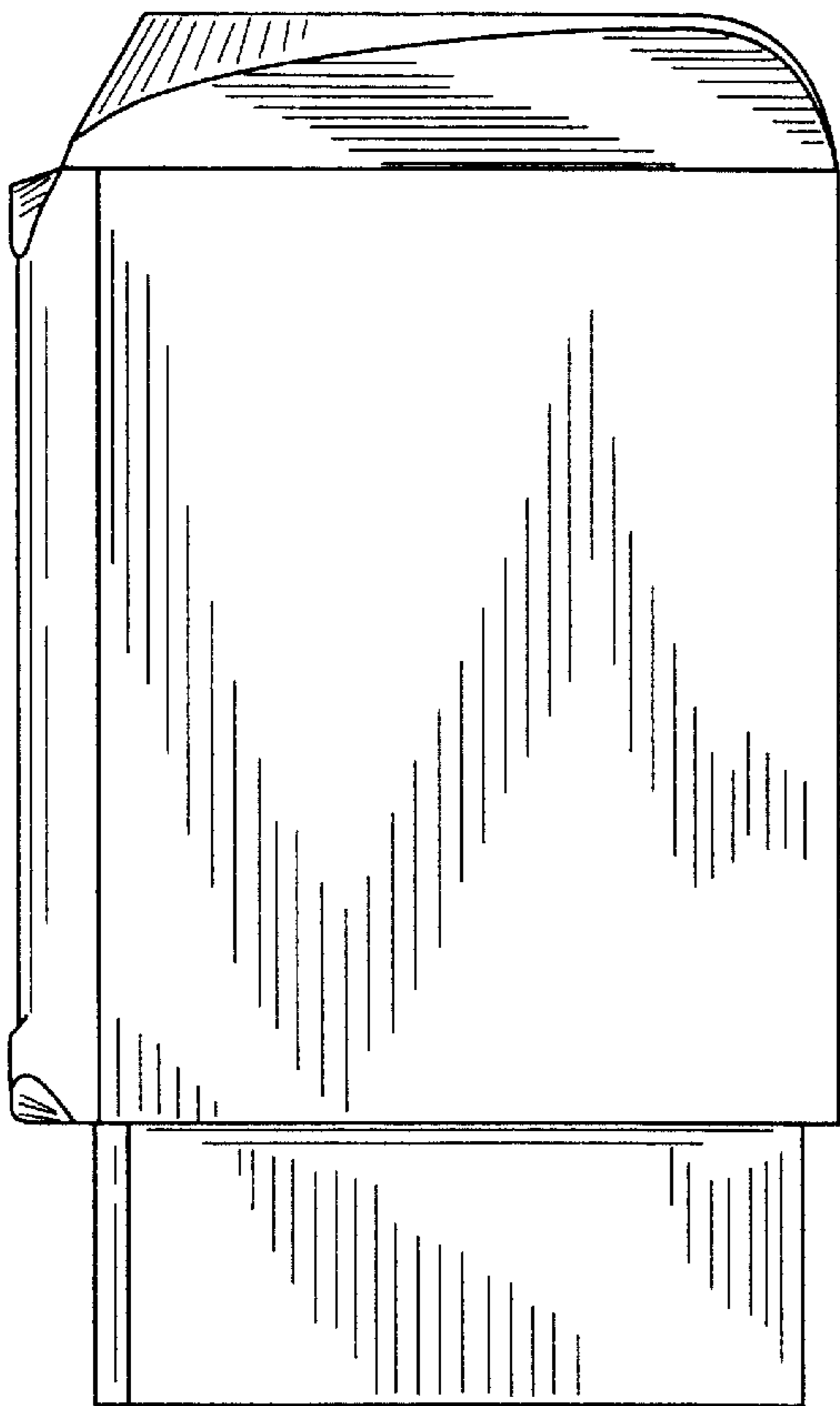


FIG. 12

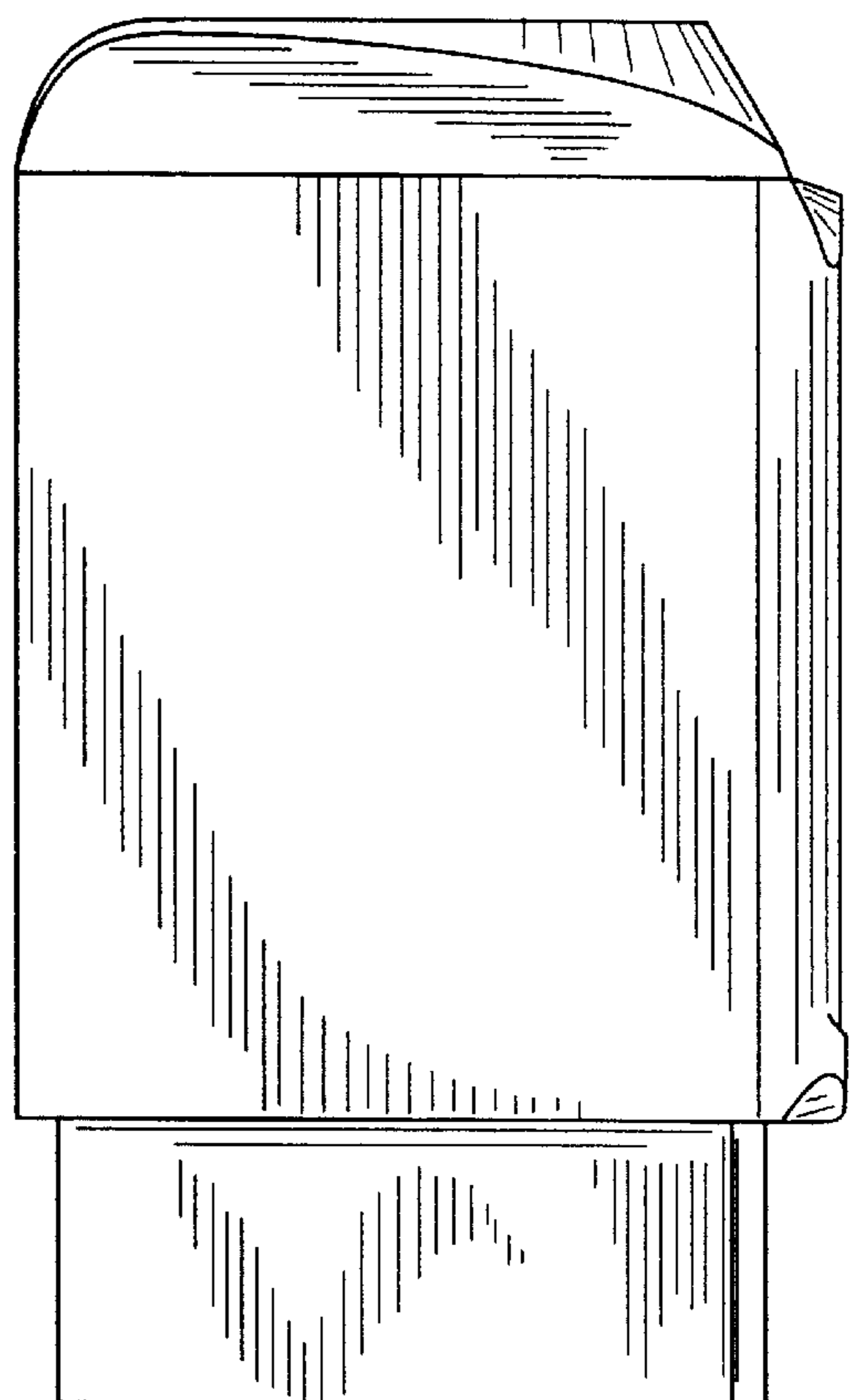


FIG. 13

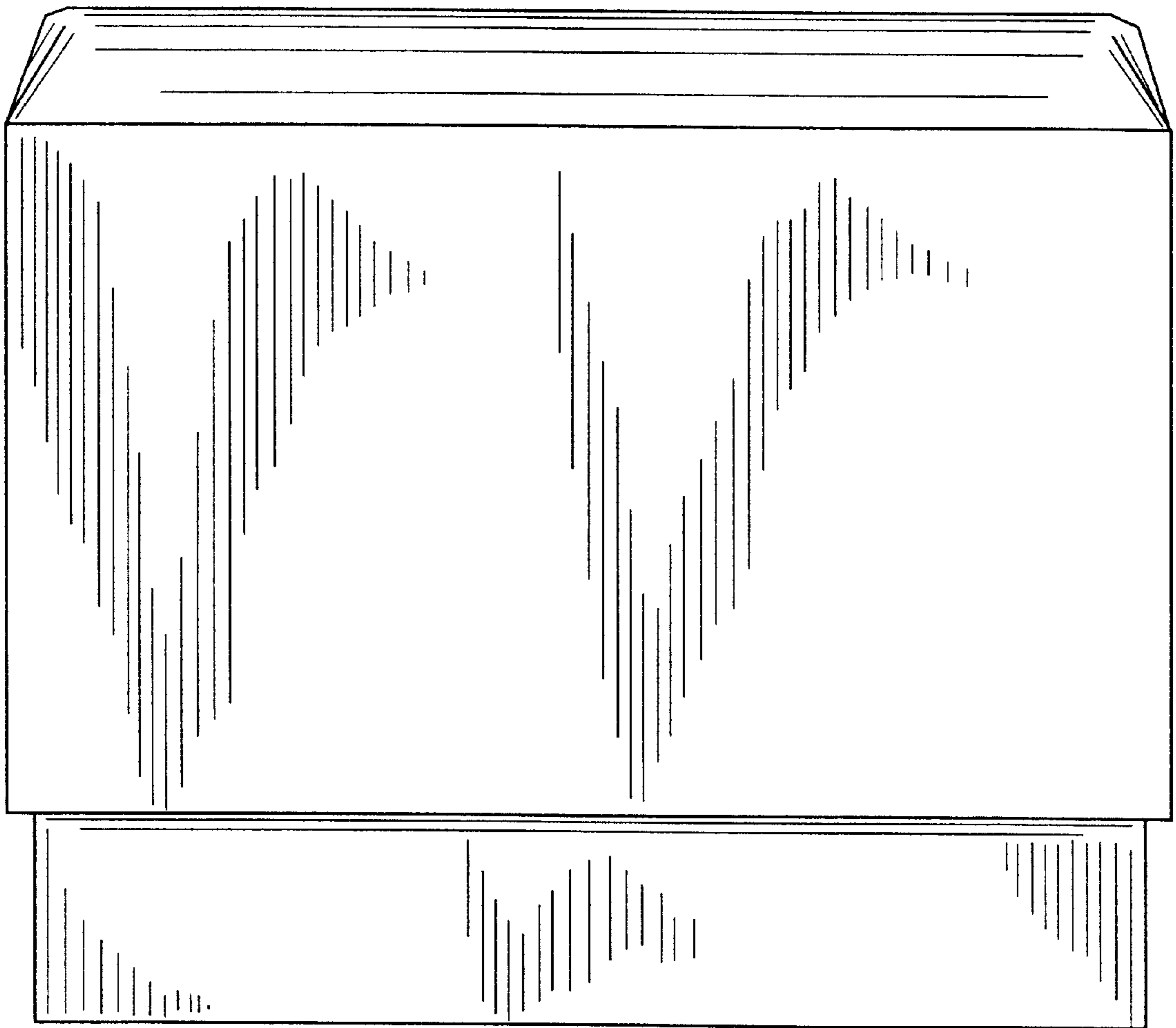


FIG. 14

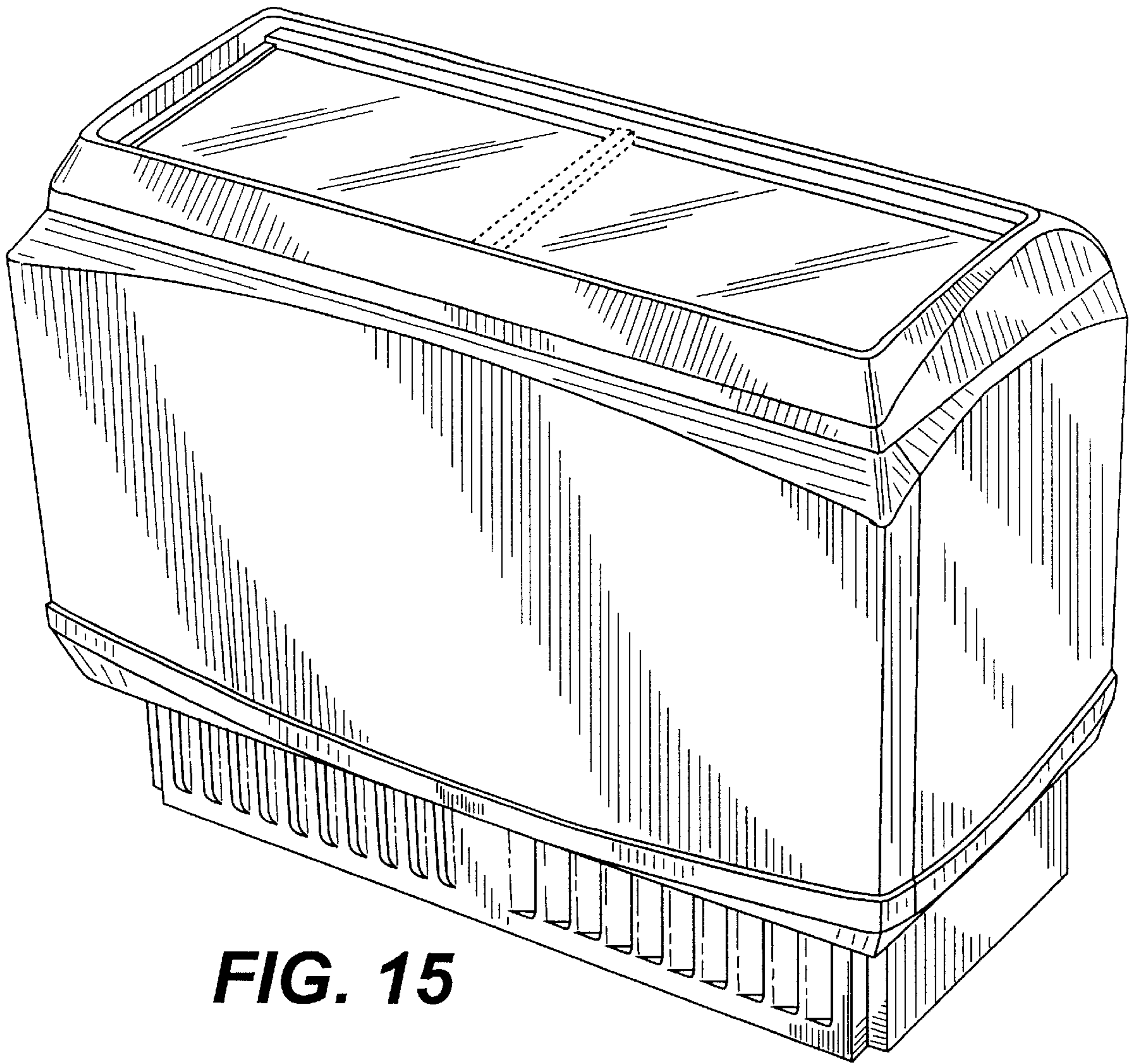


FIG. 15

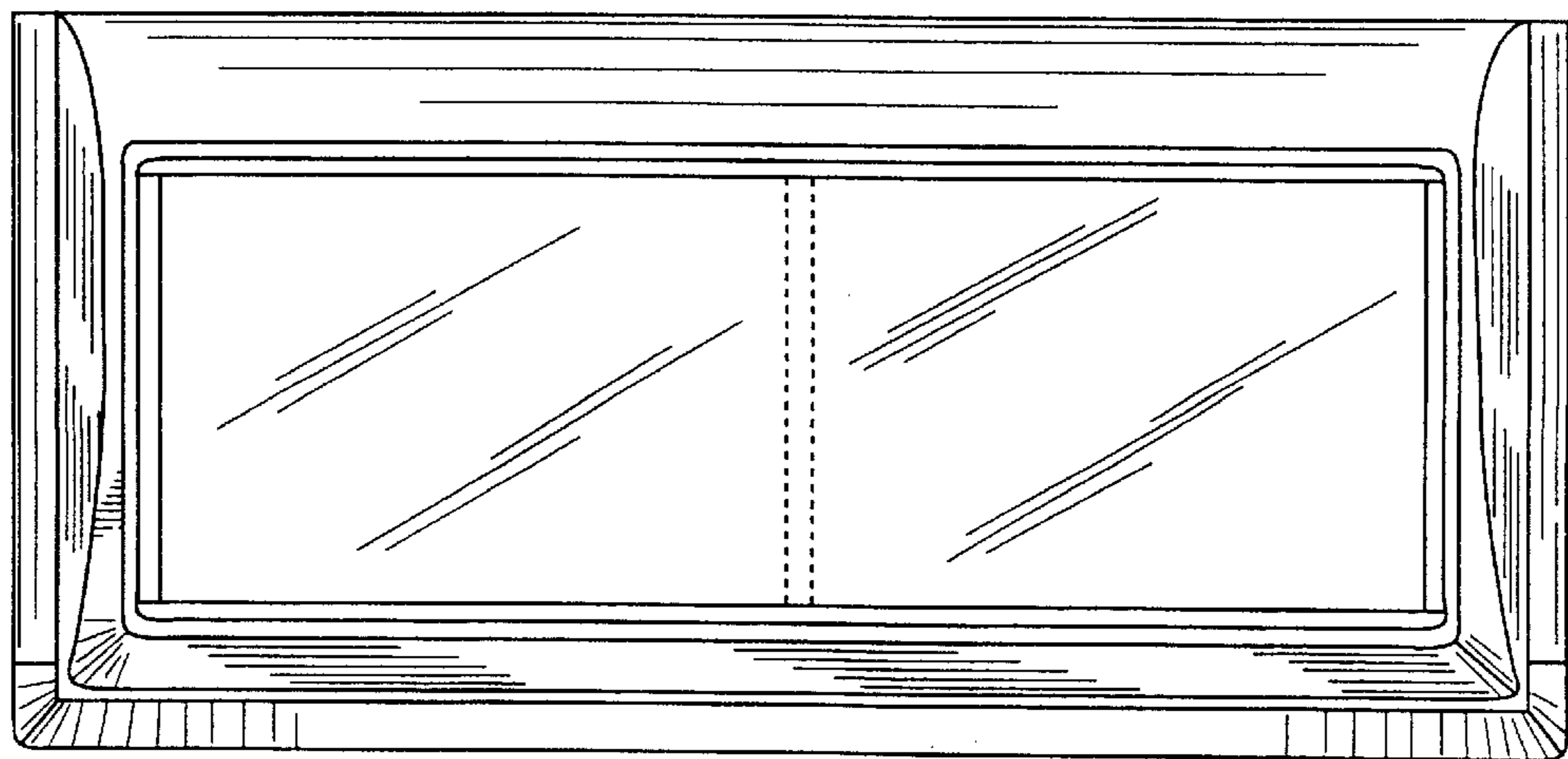


FIG. 16

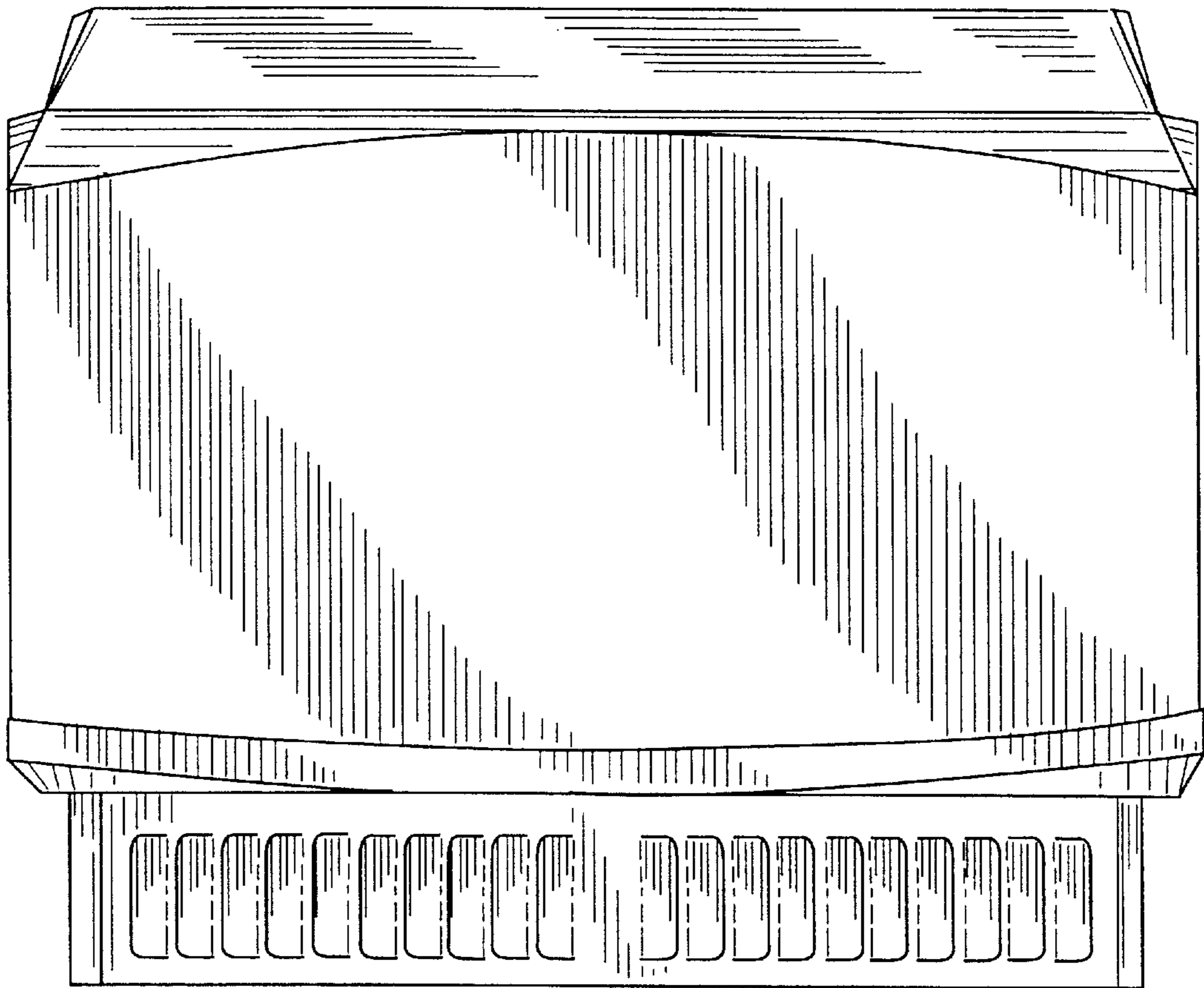


FIG. 17

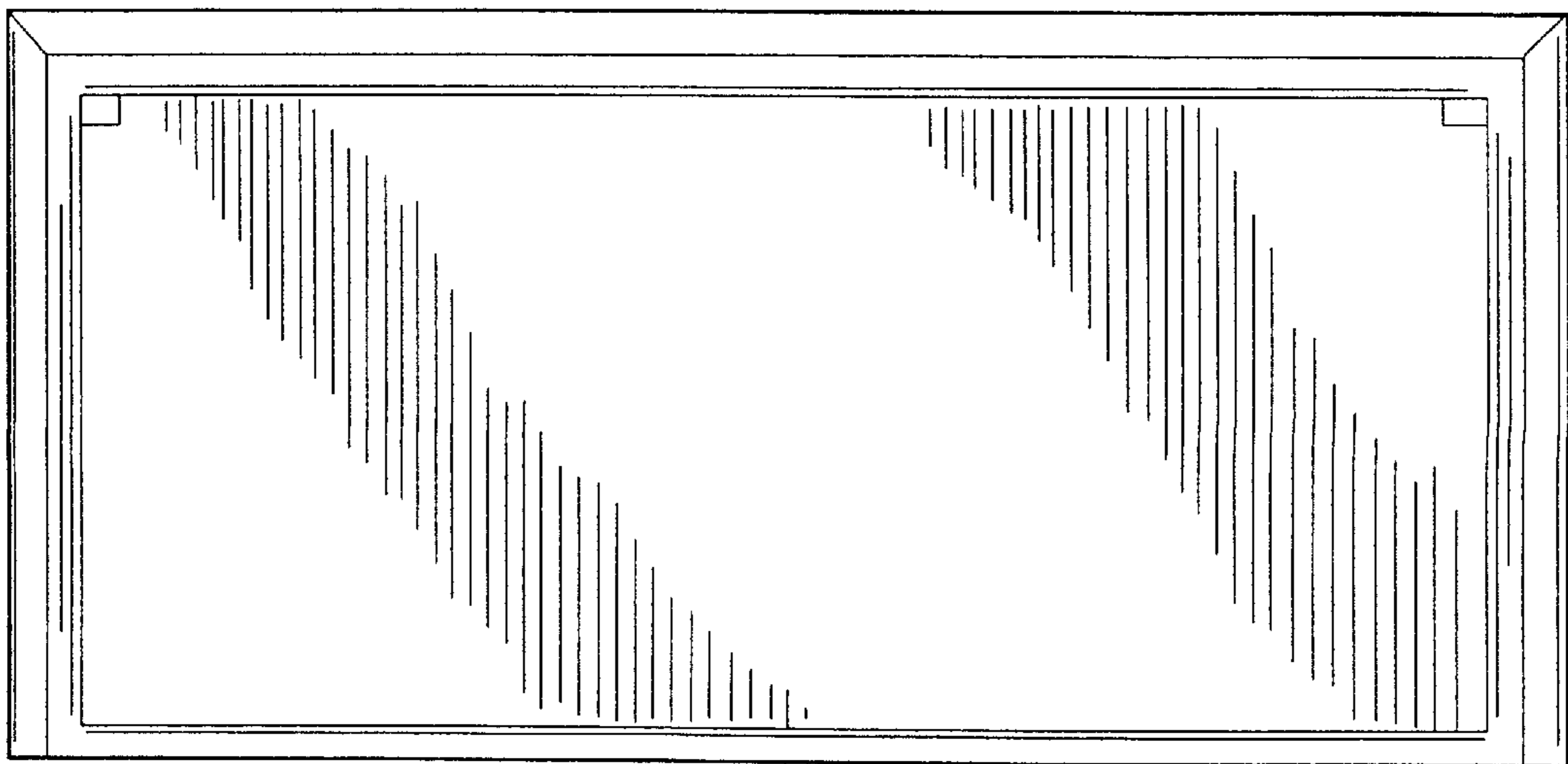


FIG. 18

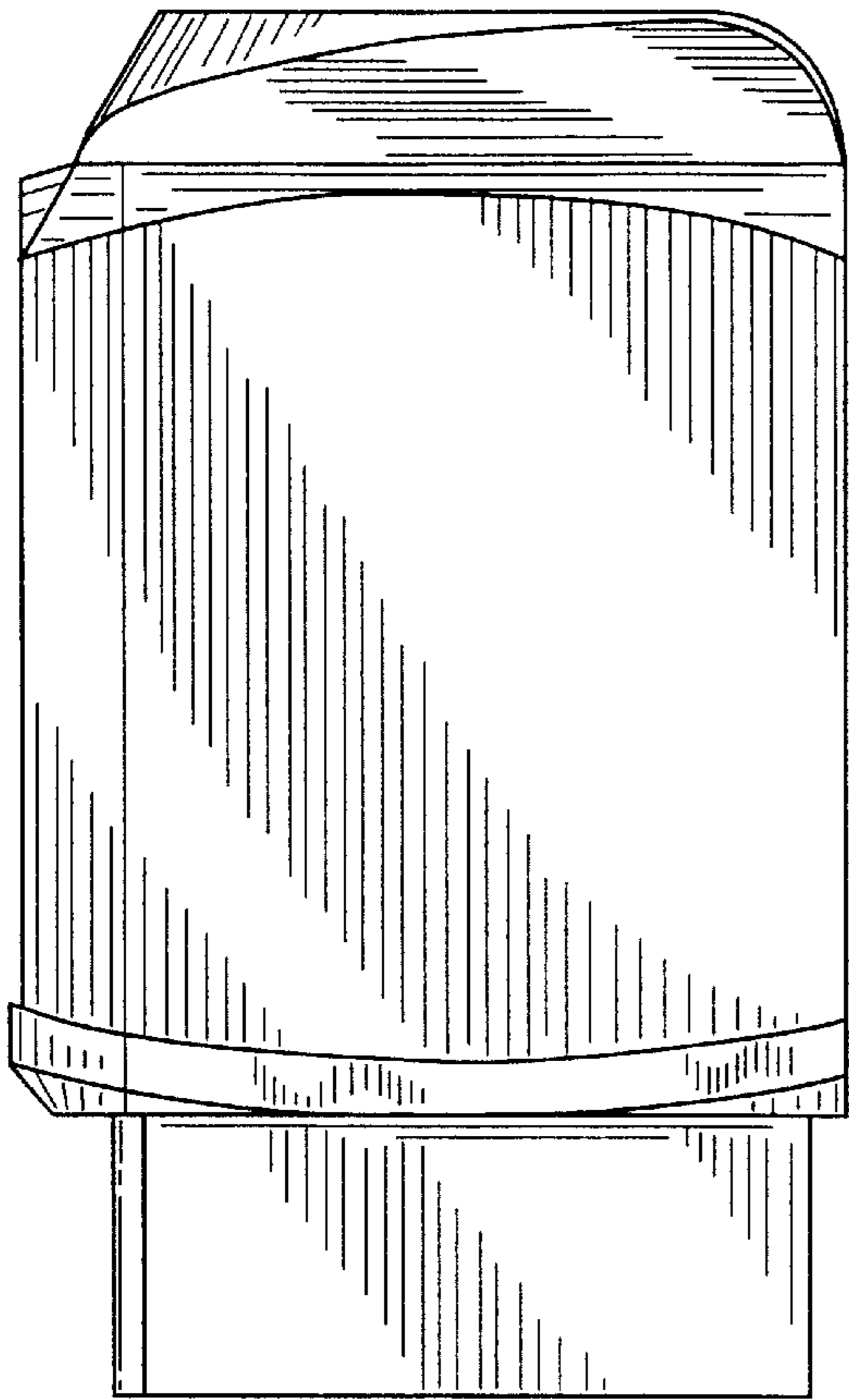


FIG. 19

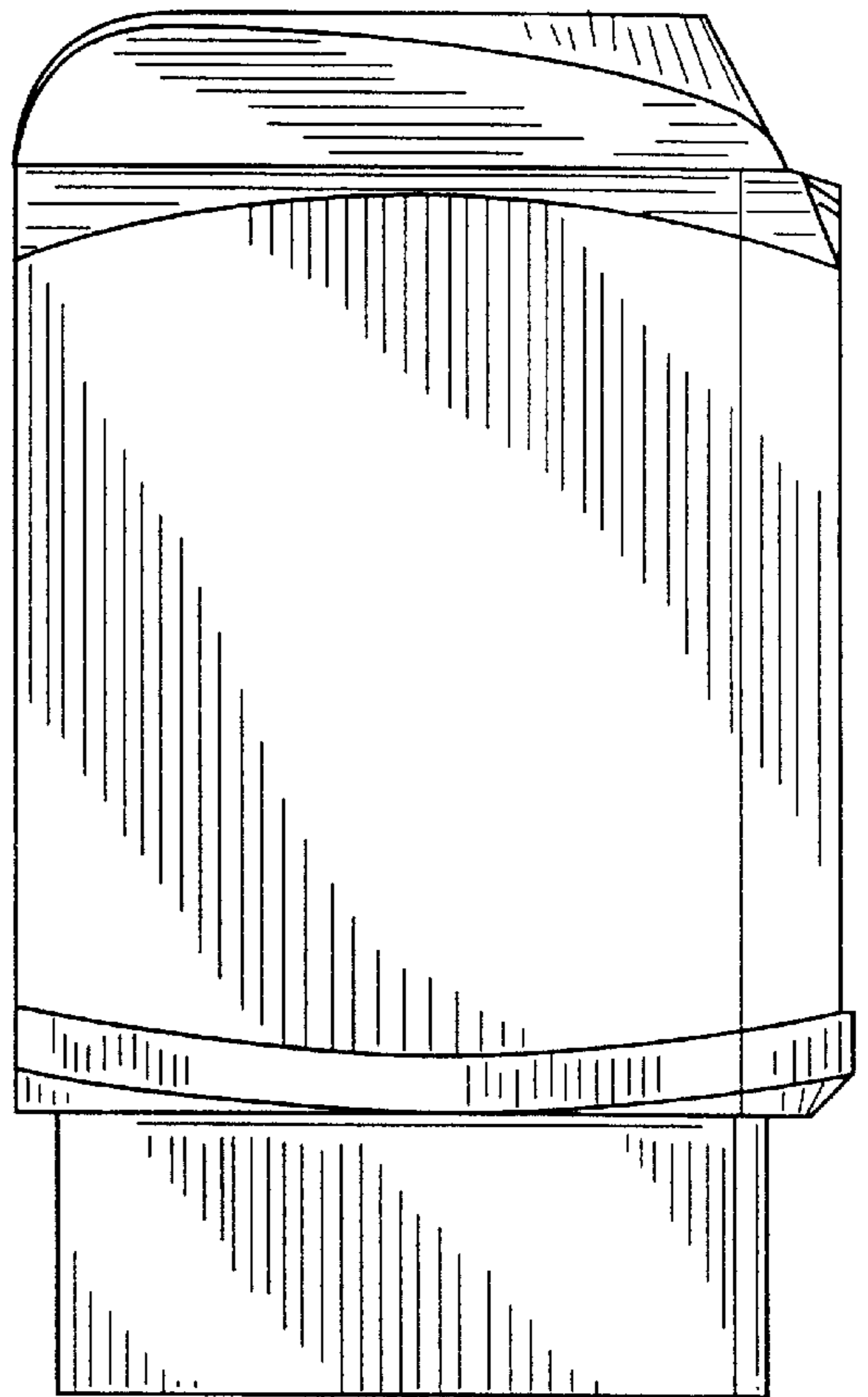


FIG. 20

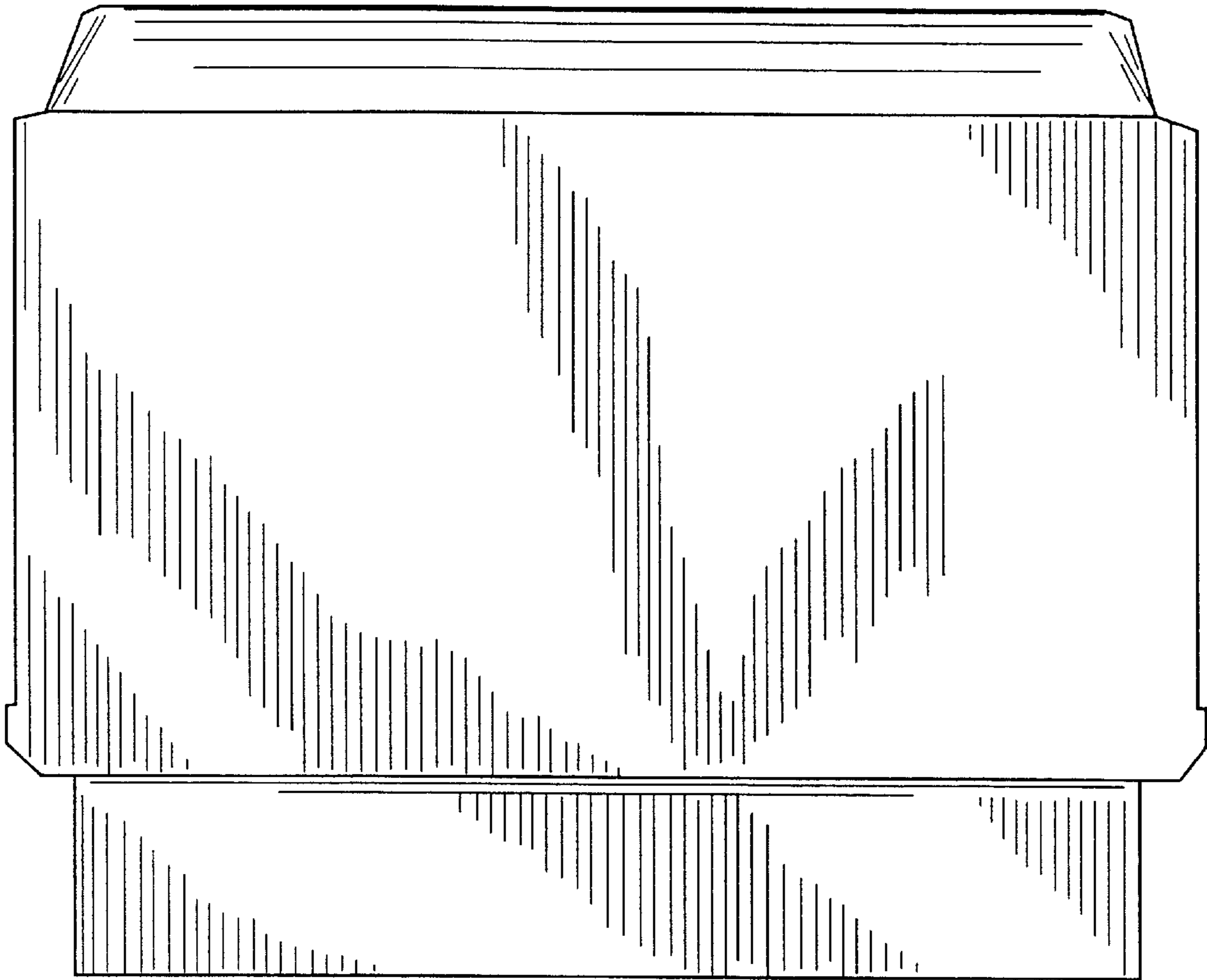


FIG. 21