



US00D449840B1

(12) **United States Design Patent**
Concari et al.

(10) **Patent No.:** **US D449,840 S**

(45) **Date of Patent:** **** Oct. 30, 2001**

(54) **MOWER**

(75) Inventors: **Gabriel E. Concari**, Eldersburg; **Daryll Scott Evans**, Cockeysville, both of MD (US); **David S. Strong**, Battersea (CA); **Richard P. Rosa**; **Murray D. Hunter**, both of Kingston (CA)

(73) Assignee: **Black & Decker Inc.**, Newark, DE (US)

(**) Term: **14 Years**

(21) Appl. No.: **29/127,748**

(22) Filed: **Aug. 11, 2000**

(51) **LOC (7) Cl.** **15-03**

(52) **U.S. Cl.** **D15/14**

(58) **Field of Search** D15/14, 17, 18;
56/11.9, 17.5, 13.4, 12.8, 16.7, 202, 255,
294, 295

(56) **References Cited**

U.S. PATENT DOCUMENTS

- D. 232,184 7/1974 Cognata .
- D. 330,210 10/1992 Sirois et al. .
- D. 356,581 3/1995 Chunn et al. .
- D. 361,771 8/1995 Ledingham .

- D. 374,017 9/1996 Chunn et al. .
- D. 381,665 7/1997 Hinklin et al. .
- D. 390,576 * 2/1998 Shimamura D15/14
- D. 410,012 5/1999 Goebert et al. .
- D. 419,163 1/2000 Sirois et al. .
- D. 424,070 * 5/2000 Danthois D15/14
- 3,147,987 9/1964 Ritums .
- 5,442,901 8/1995 Niemela et al. .

* cited by examiner

Primary Examiner—Mitchell Siegel

(74) *Attorney, Agent, or Firm*—Harness, Dickey & Pierce, P.L.C.

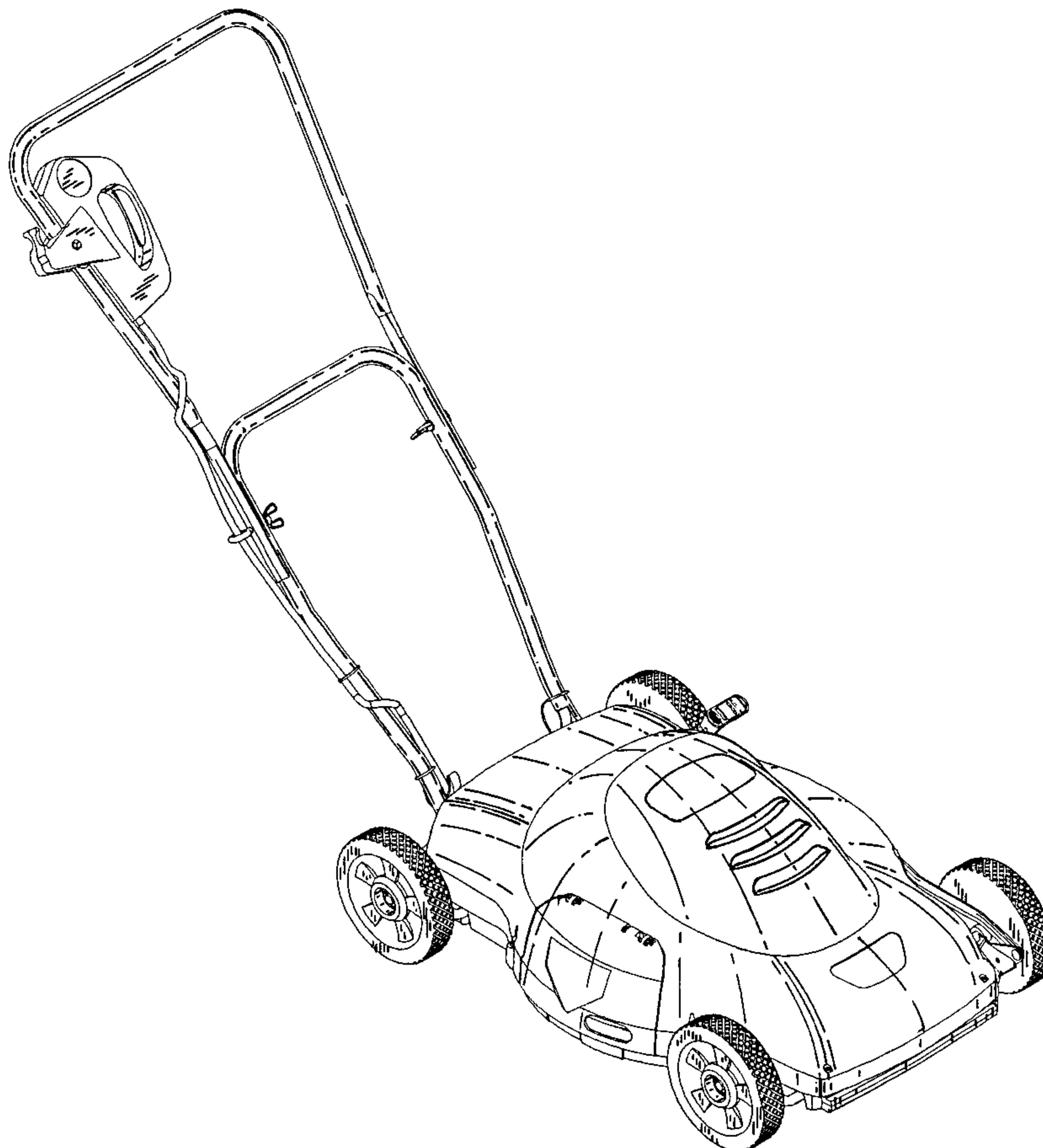
(57) **CLAIM**

The ornamental design for a mower, as shown and described.

DESCRIPTION

FIG. 1 is a front-right perspective view of the a mower in accordance with the present invention;
FIG. 2 is a front left perspective view of the mower;
FIG. 3 is a plan view of the mower;
FIG. 4 is a front view of the mower;
FIG. 5 is a right side view of the mower;
FIG. 6 is a left side view of the mower; and,
FIG. 7 is a rear view of the mower.

1 Claim, 7 Drawing Sheets



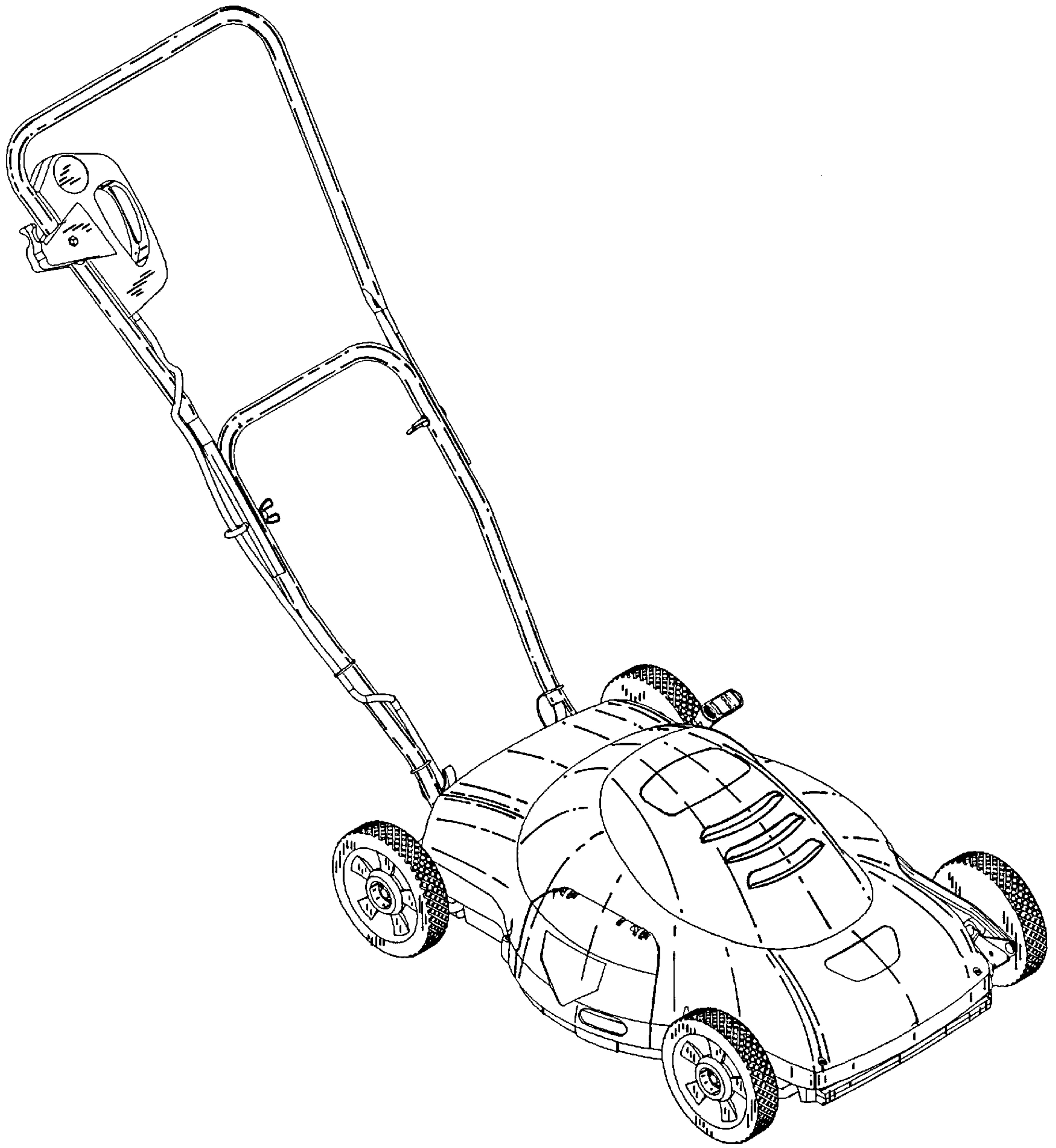
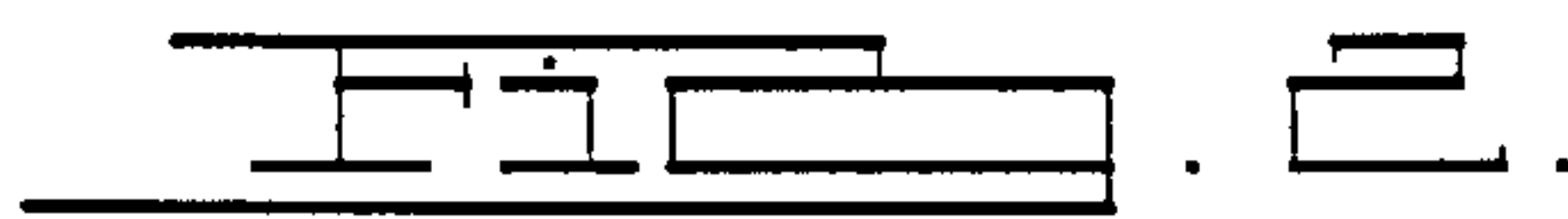
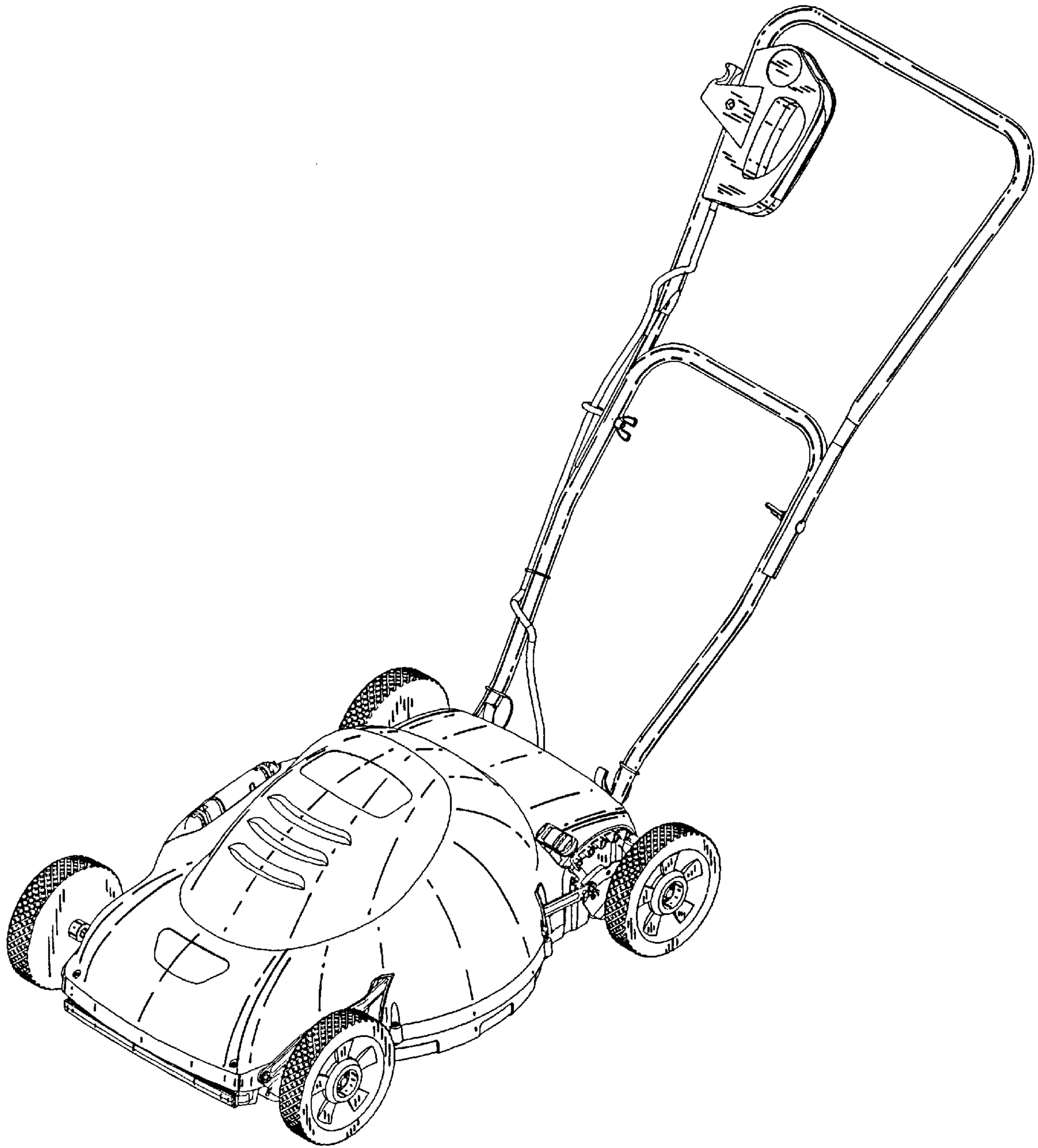


FIG. 1.



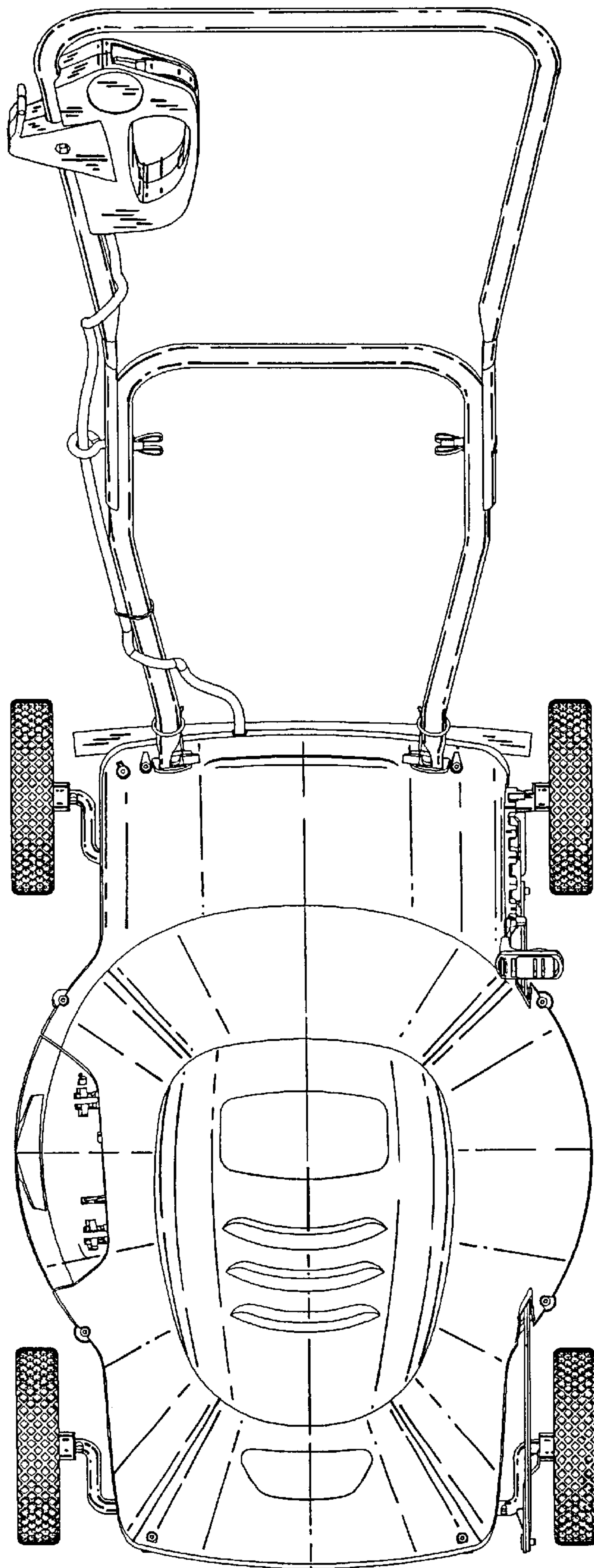


FIG. 3.

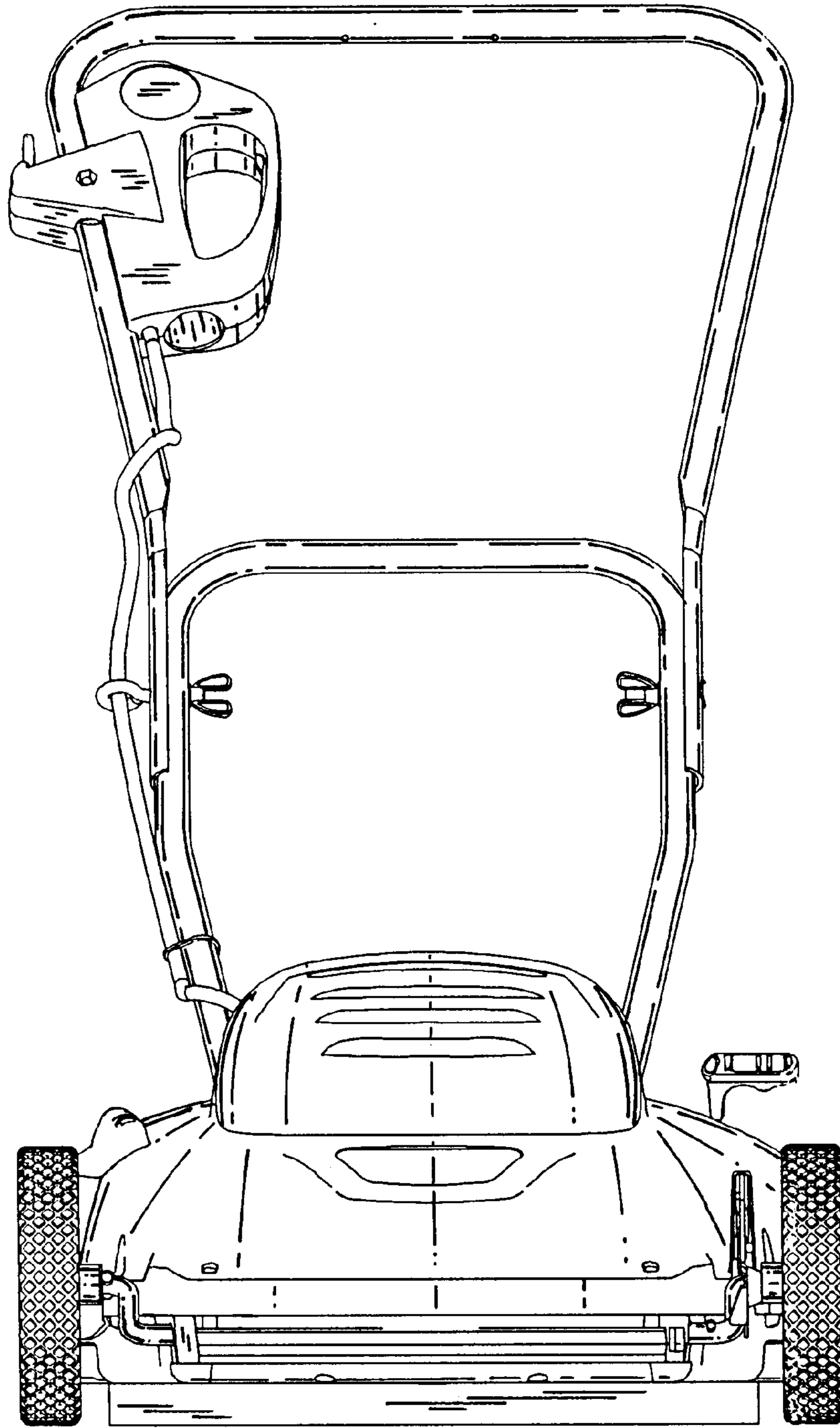


FIG. 4.

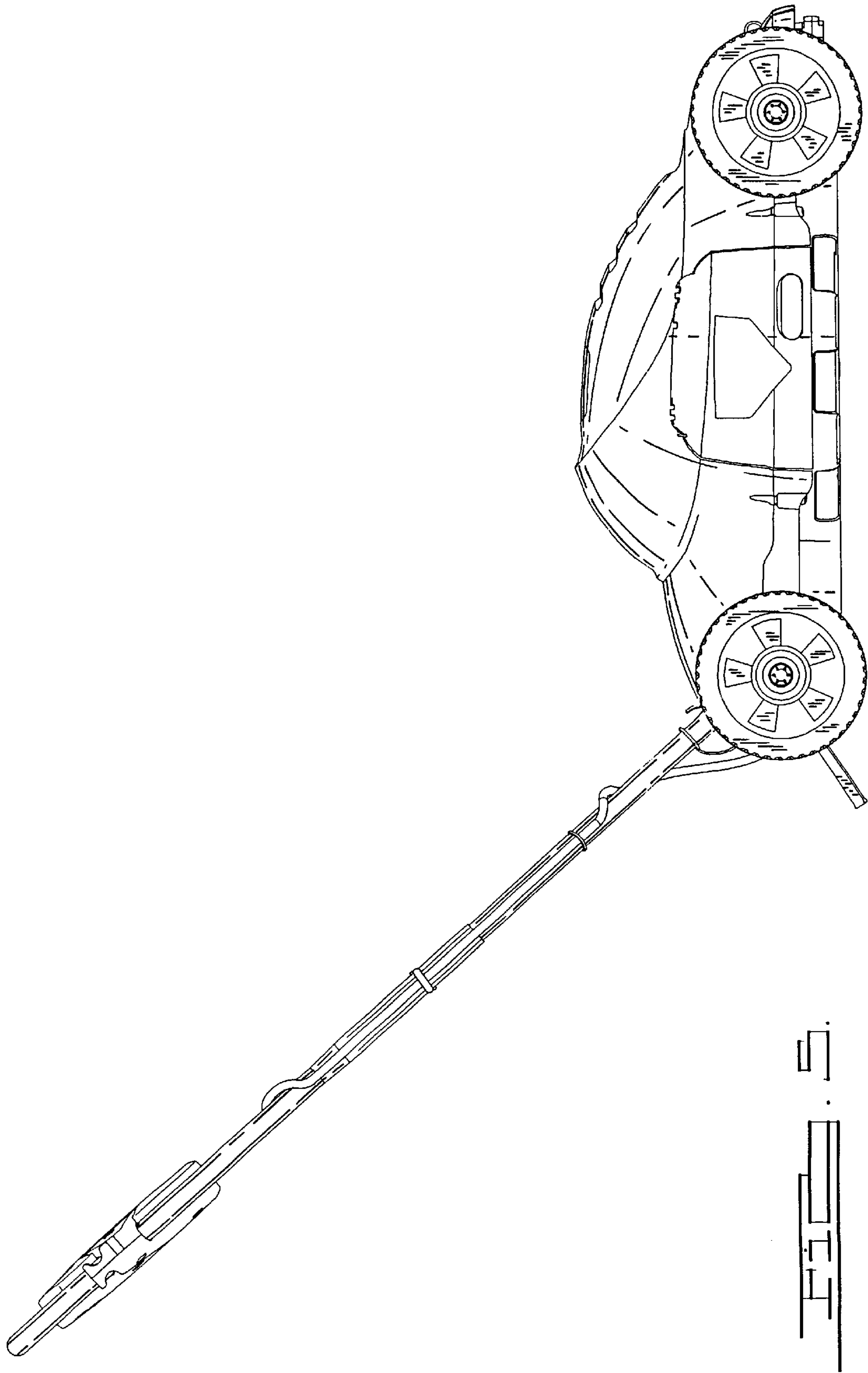
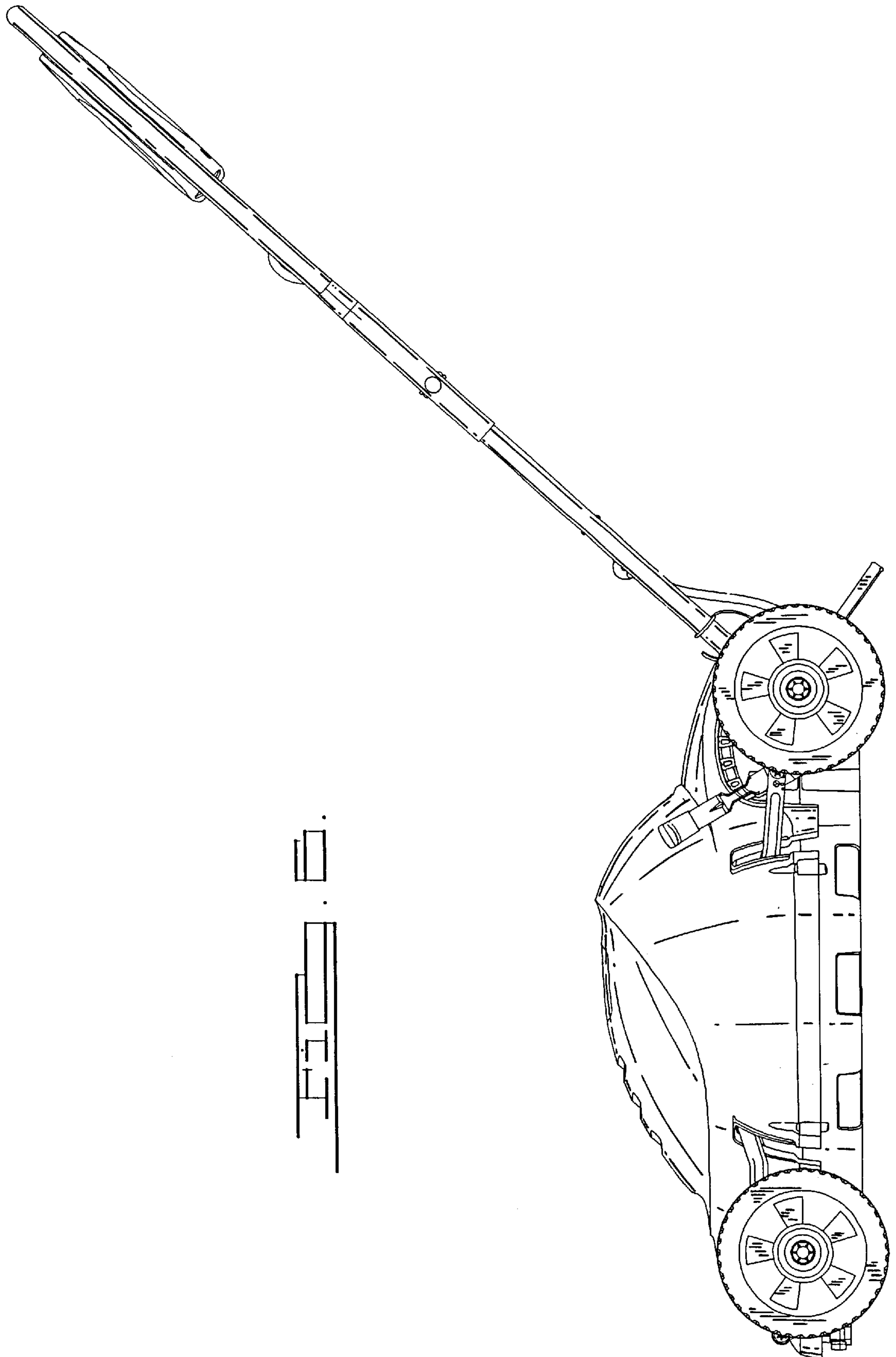


FIG. 5



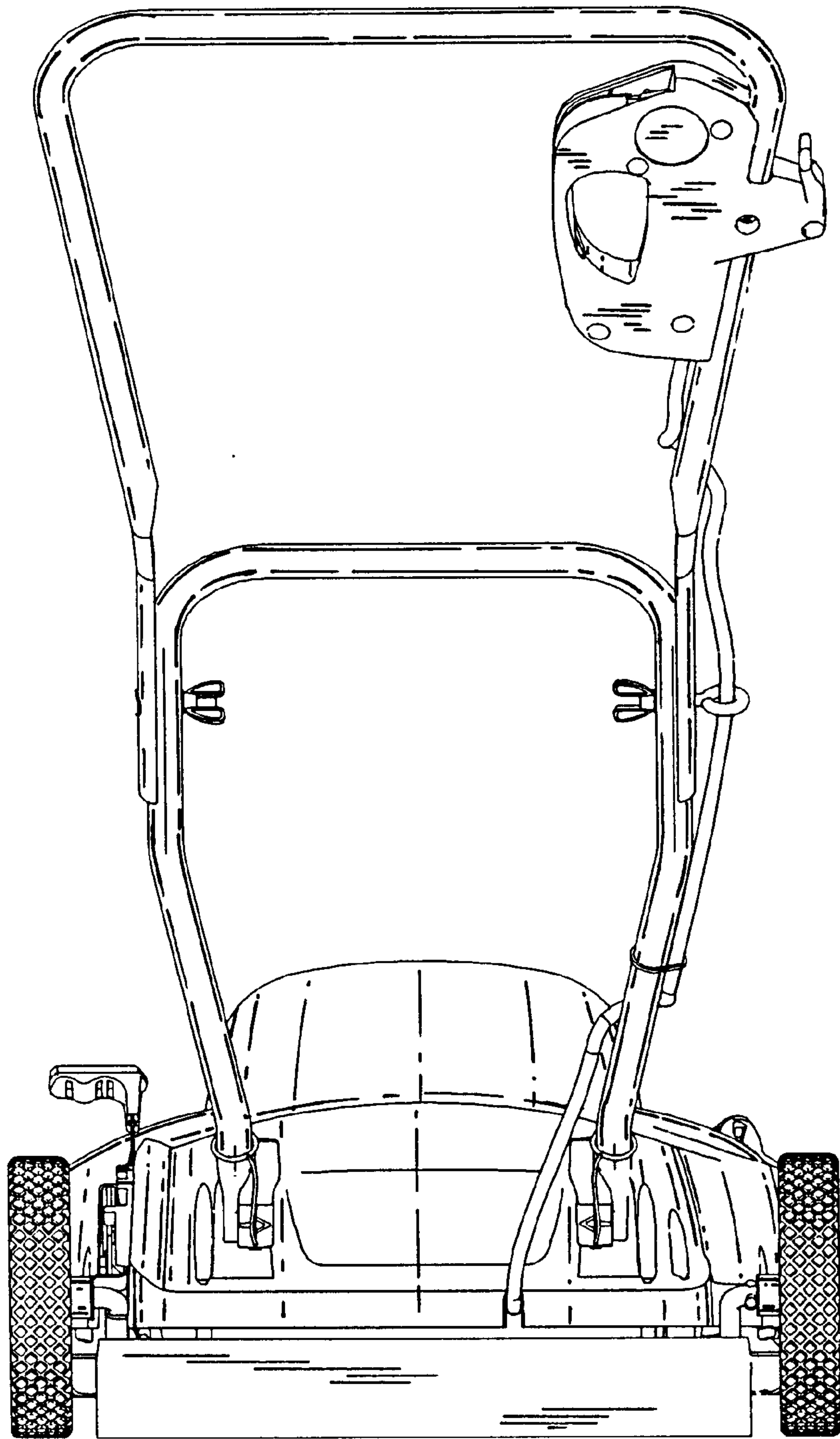


FIG. 7.