



US00D449839B1

(12) **United States Design Patent**  
**Rothlisberger**

(10) **Patent No.:** **US D449,839 S**

(45) **Date of Patent:** **\*\* Oct. 30, 2001**

(54) **OIL PAN**

5,839,531 \* 11/1998 McGee ..... 180/69.1

\* cited by examiner

(76) **Inventor:** **Roy Rothlisberger**, 14718 Arminata St.,  
Van Nuys, CA (US) 91402

*Primary Examiner*—Melody N. Brown

(74) *Attorney, Agent, or Firm*—Walter A. Hackler

(\*\*) **Term:** **14 Years**

(57) **CLAIM**

The ornamental design for an oil pan, as shown and described.

(21) **Appl. No.:** **29/133,665**

(22) **Filed:** **Dec. 4, 2000**

**DESCRIPTION**

(51) **LOC (7) Cl.** ..... **15-01**

(52) **U.S. Cl.** ..... **D15/4; D12/114**

(58) **Field of Search** ..... D15/1-5; 180/69.1,  
180/219; D12/126, 114, 110

FIG. 1 is a perspective view of the oil pan showing my new design;

FIG. 2 is a bottom view of the present invention;

FIG. 3 is a top view of the present invention;

FIG. 4 is a front elevational view of the present invention;

FIG. 5 is a rear elevational view of the present invention;

FIG. 6 is a right side elevational view of the present invention; and,

FIG. 7 is a left side elevational view of the present invention.

The broken line showing in FIGS. 1-7 is for illustrative purposes only and forms no part of the claimed design.

(56) **References Cited**

**U.S. PATENT DOCUMENTS**

D. 347,810	*	6/1994	Matthies	.....	D12/126
D. 400,126	*	10/1998	Hutchins	.....	D12/114
D. 426,792	*	6/2000	Reed	.....	D12/126
D. 428,832	*	8/2000	Matthies	.....	D12/126
3,980,153	*	9/1976	Andrews	.....	180/69.1

**1 Claim, 4 Drawing Sheets**

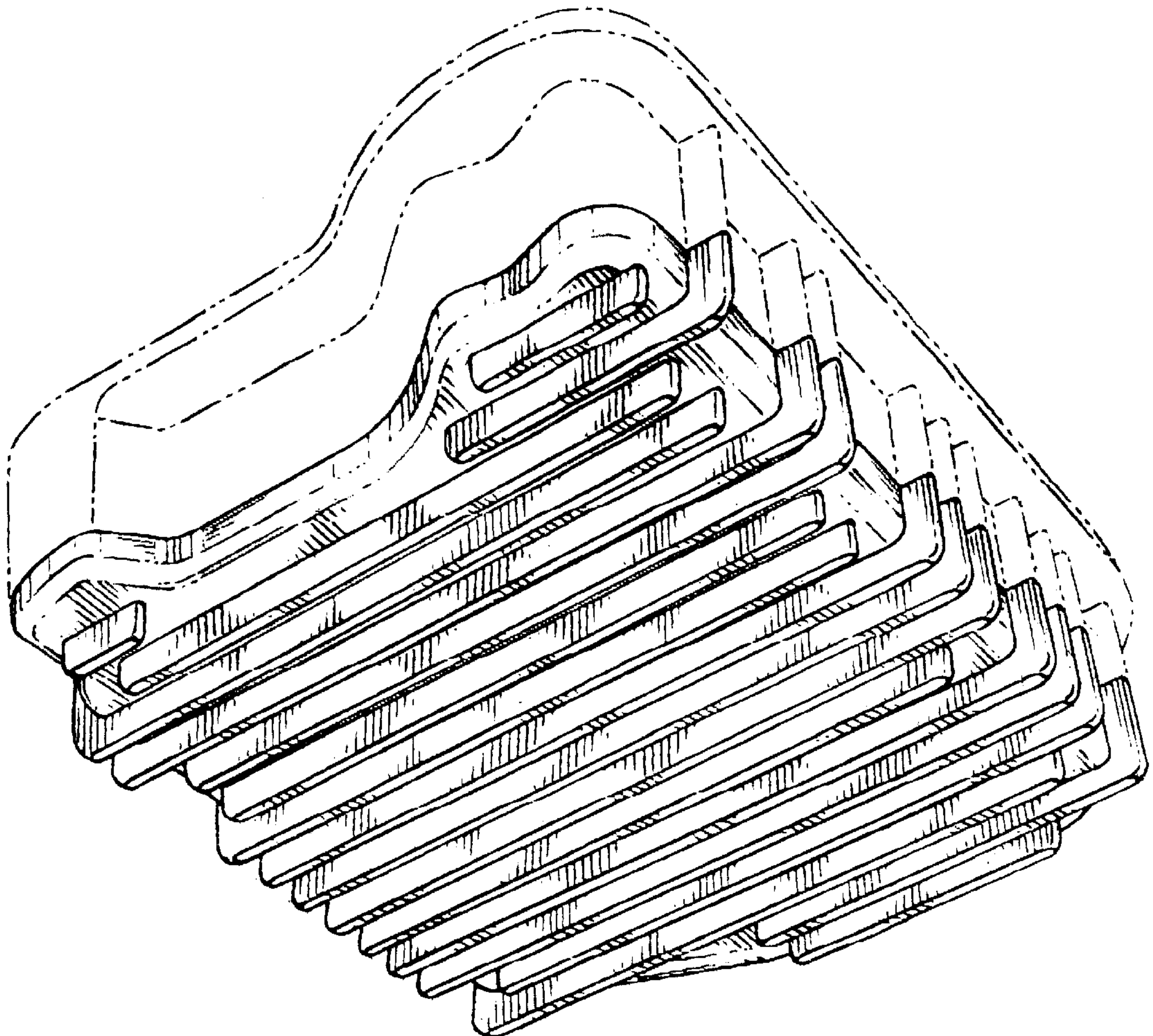


FIG. 1

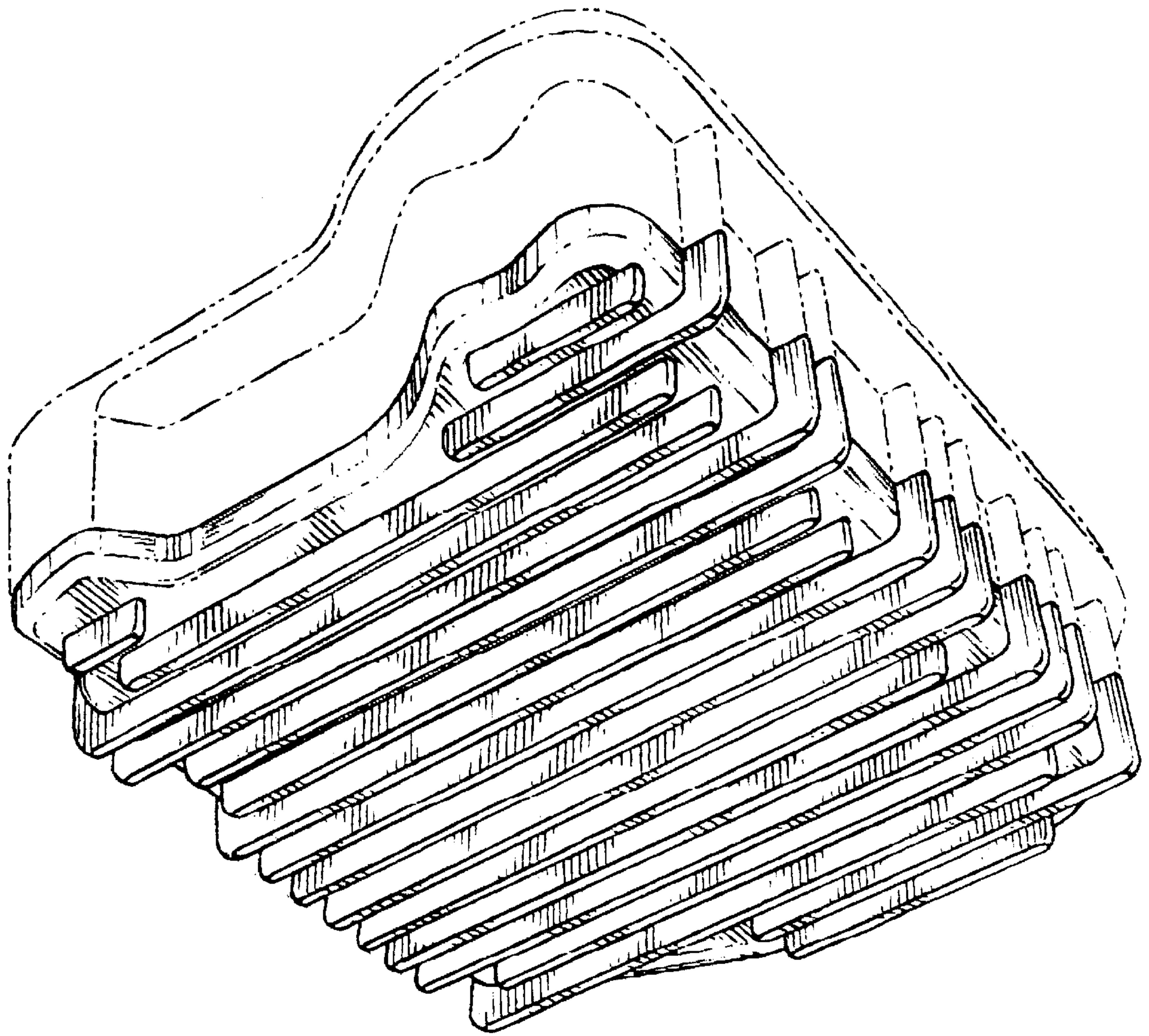




FIG. 2

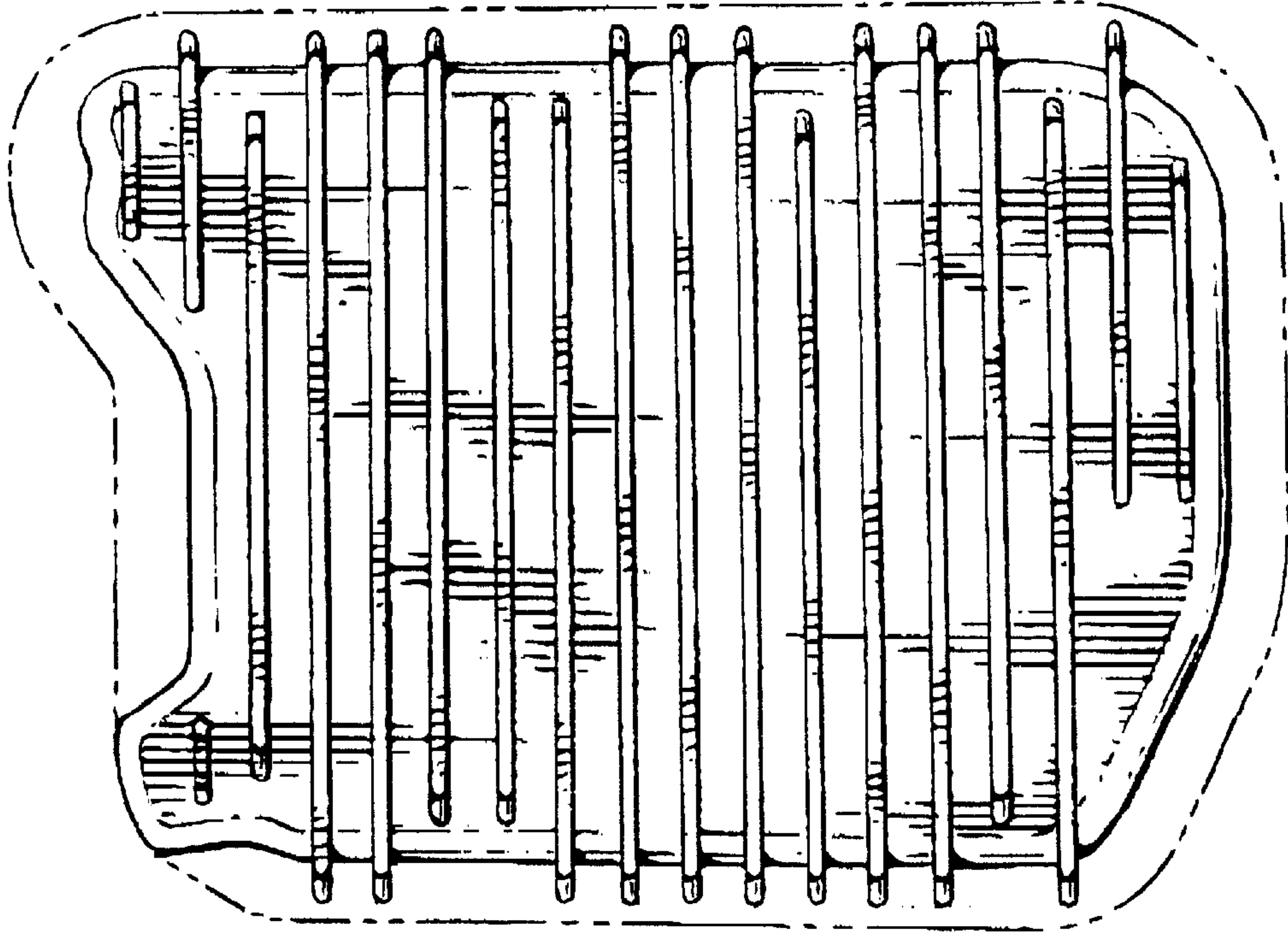
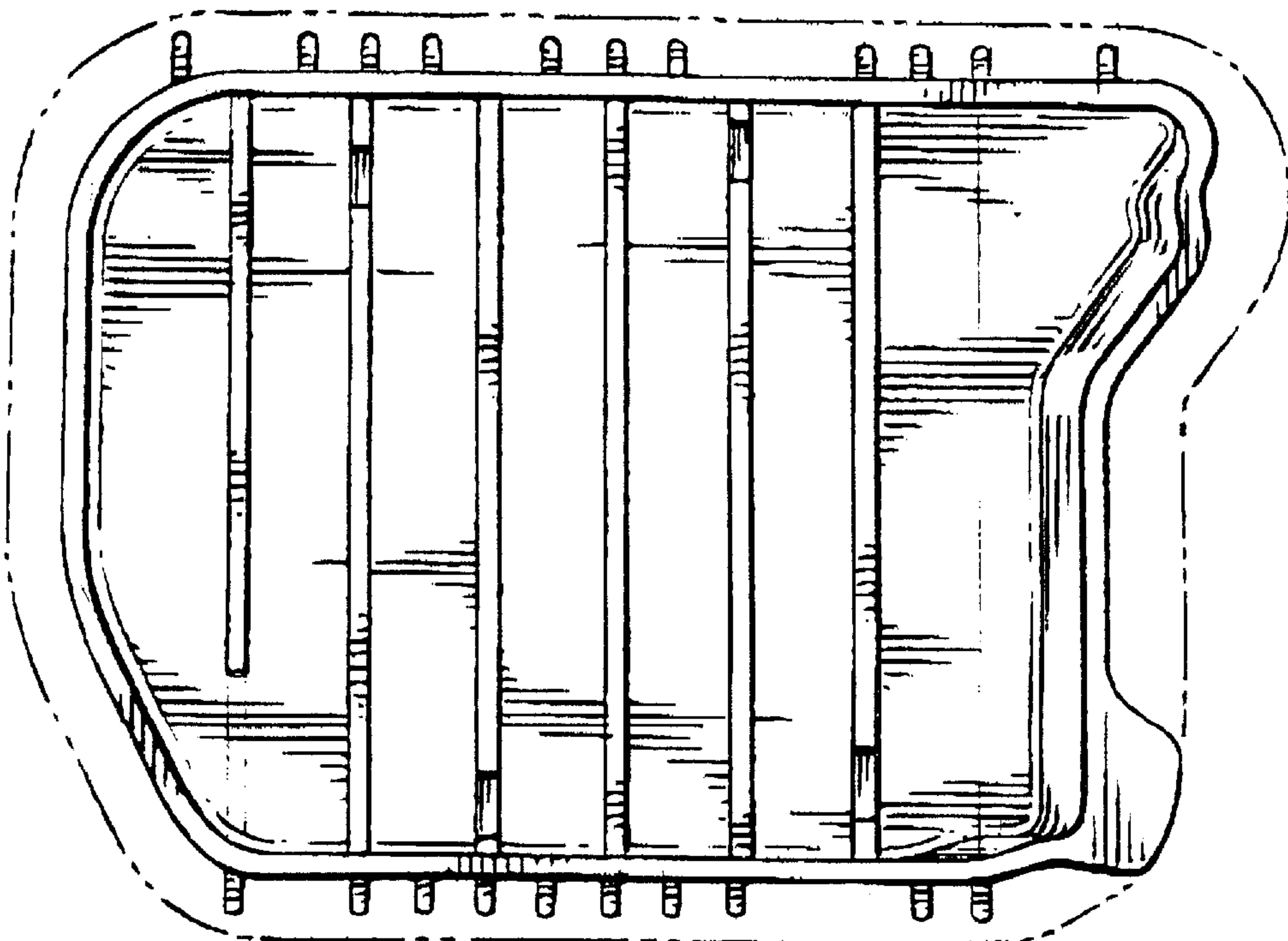


FIG. 3



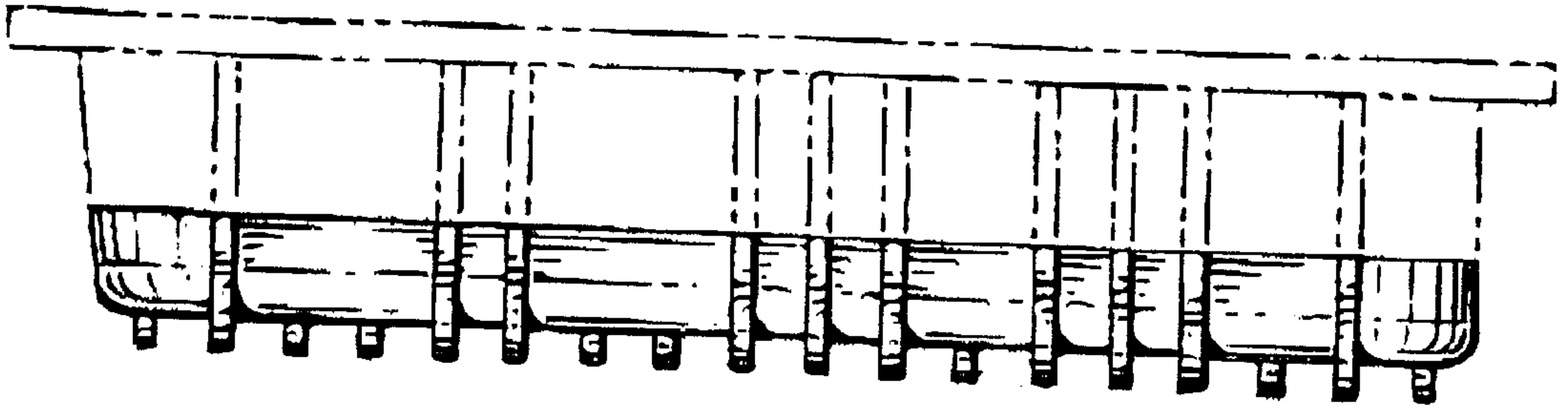
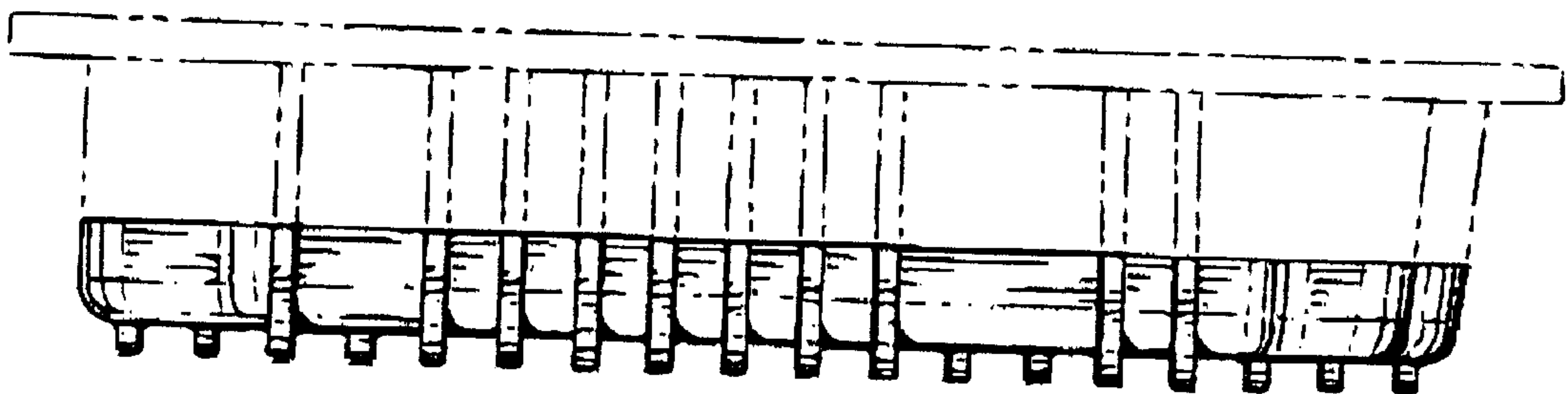


FIG. 4

FIG. 5



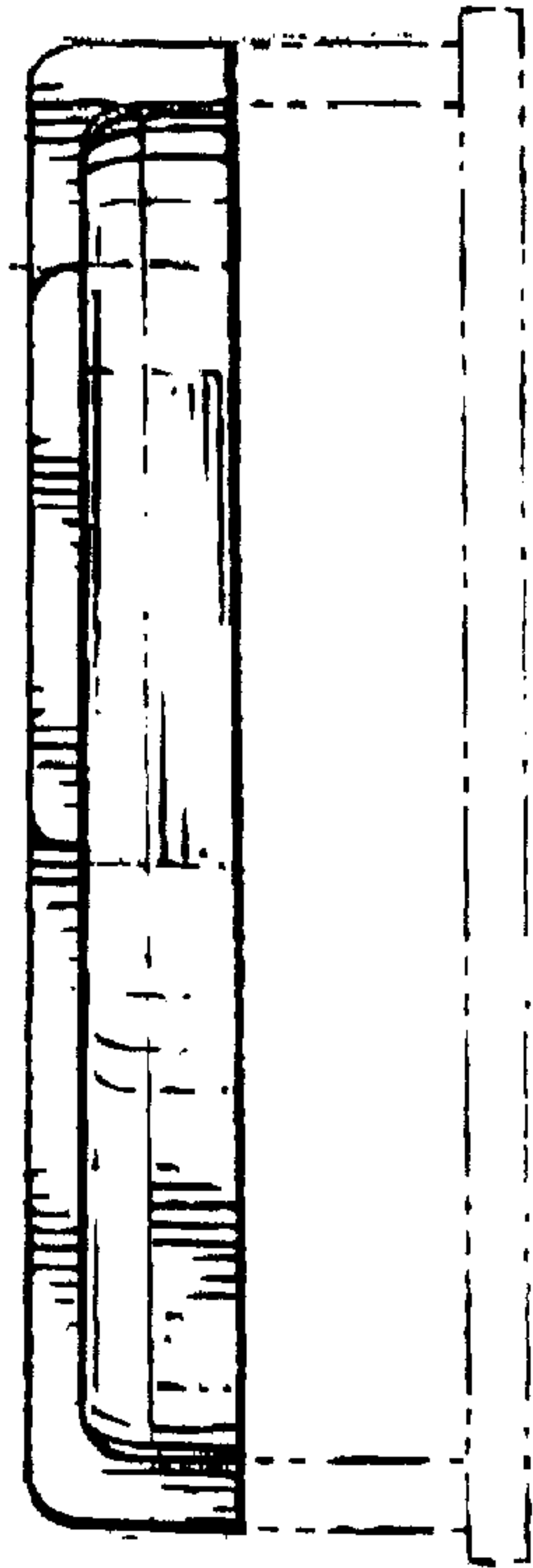


FIG. 6

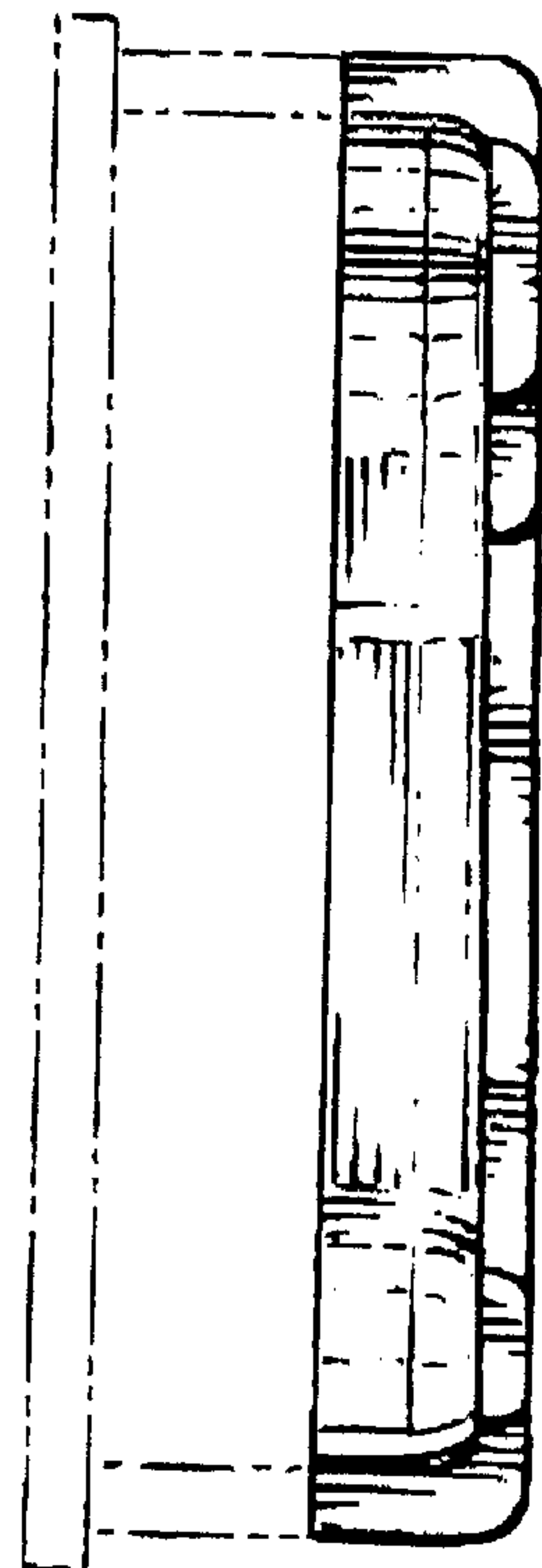


FIG. 7