



US00D449835B1

(12) **United States Design Patent**
Ohtani

(10) **Patent No.:** **US D449,835 S**

(45) **Date of Patent:** **** *Oct. 30, 2001**

(54) **COMPACT FLASH CARD**

(75) **Inventor:** **Yutaka Ohtani, Tokyo (JP)**

(73) **Assignee:** **Honda Tsushin Kogyo Co., Ltd., Tokyo (JP)**

(*) **Notice:** This patent is subject to a terminal disclaimer.

(**) **Term:** **14 Years**

(21) **Appl. No.:** **29/118,131**

(22) **Filed:** **Feb. 7, 2000**

(30) **Foreign Application Priority Data**

Oct. 5, 1999 (JP) 11-26886

(51) **LOC (7) Cl.** **14-02**

(52) **U.S. Cl.** **D14/436**

(58) **Field of Search** D14/435-8; D19/9-10;
40/124.01; 283/75-77, 48.1, 83, 107, 901;
235/382.5, 375, 487-94, 441-3; D13/182;
361/736-7, 752; 174/52.1; 439/152

(56) **References Cited**

U.S. PATENT DOCUMENTS

- D. 305,886 * 2/1990 Banjo et al. .
- D. 330,022 * 10/1992 Chen .
- D. 345,980 * 4/1994 Scheid et al. .
- D. 368,082 * 3/1996 Goto .

- D. 370,904 * 6/1996 Nakata et al. .
- D. 375,941 * 11/1996 Kerklaan .
- D. 405,441 * 2/1999 Saito et al. .
- D. 405,778 * 2/1999 Klinker .
- D. 407,392 * 3/1999 Kleineidam .
- D. 410,913 * 6/1999 Saito et al. .
- D. 414,481 * 9/1999 Wu .
- D. 415,132 * 10/1999 Homma et al. .
- D. 416,884 * 11/1999 Hirai et al. .
- D. 416,885 * 11/1999 Hirai et al. .
- D. 416,886 * 11/1999 Hirai et al. .

* cited by examiner

Primary Examiner—M. H. Tung

(74) *Attorney, Agent, or Firm*—Arent Fox Kintner Plotkin & Kahn, PLLC

(57) **CLAIM**

The original design for compact flash card, as shown and described.

DESCRIPTION

FIG. 1 is a perspective view of the compact flash card showing my new design;
 FIG. 2 is a front elevational view thereof;
 FIG. 3 is a rear elevational view thereof;
 FIG. 4 is a right side elevational view thereof, the left side being a mirror image;
 FIG. 5 is a top plan view thereof; and,
 FIG. 6 is a bottom plan view thereof.

1 Claim, 2 Drawing Sheets

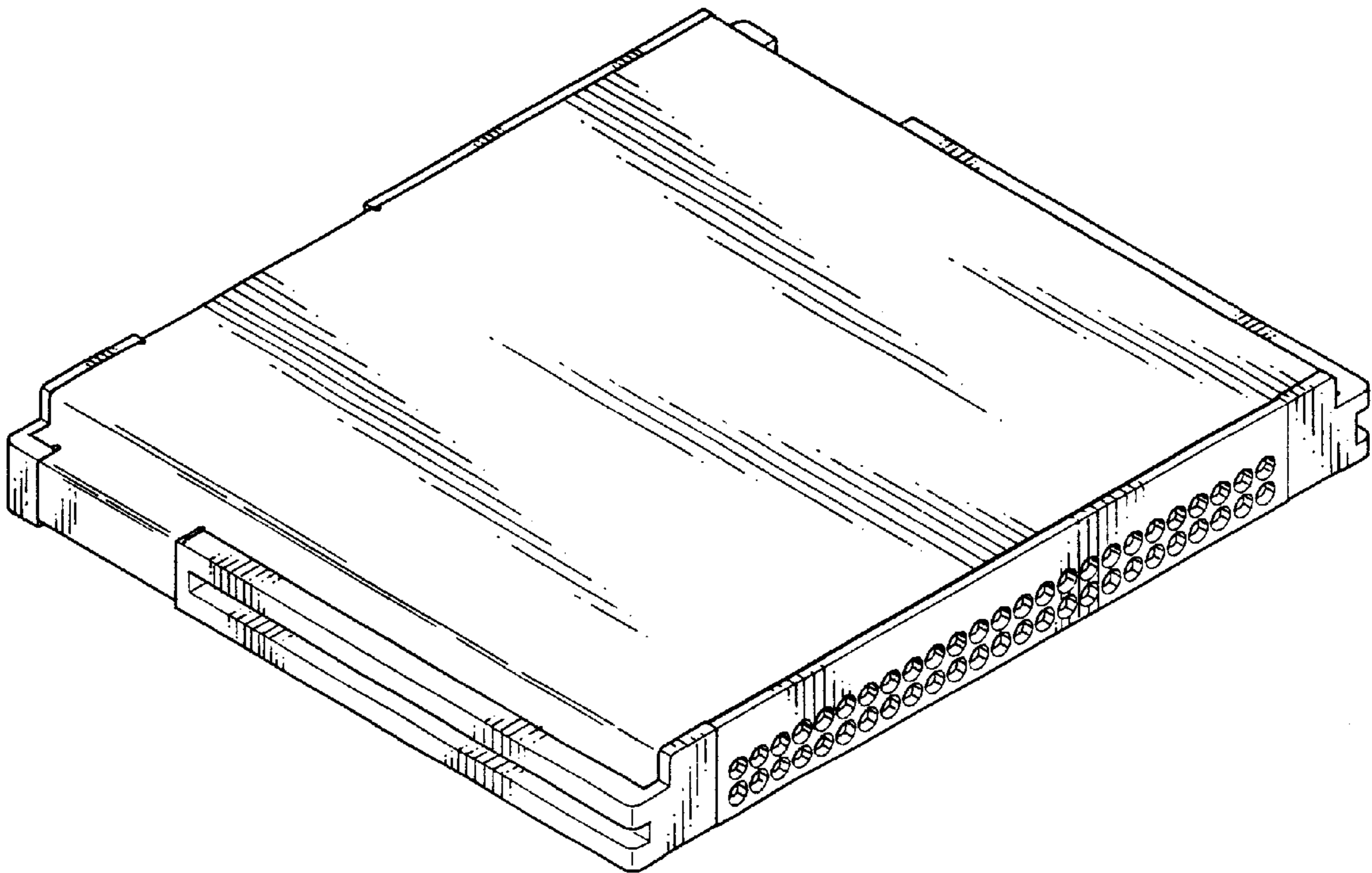


FIG. 1

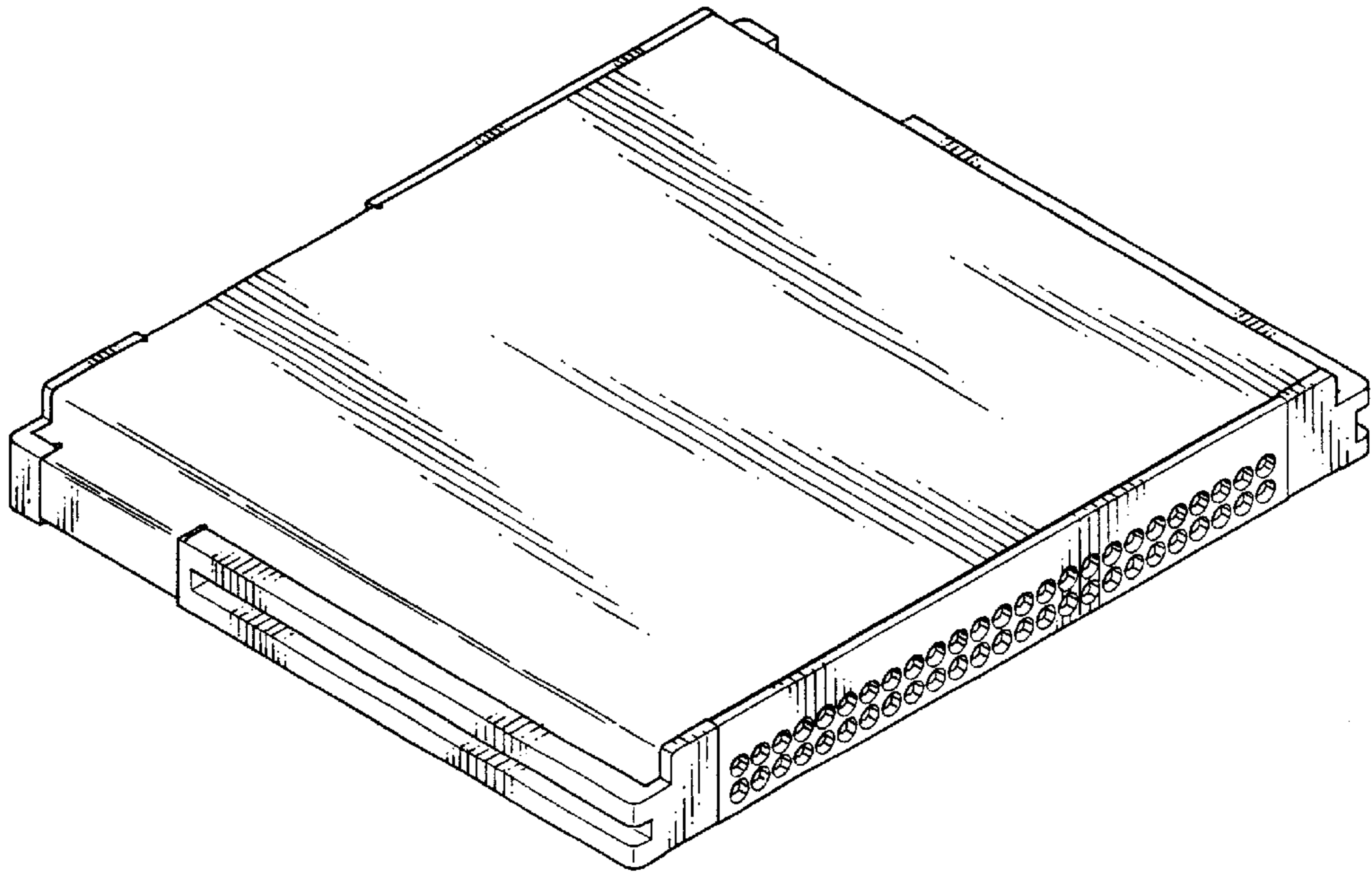


FIG. 2

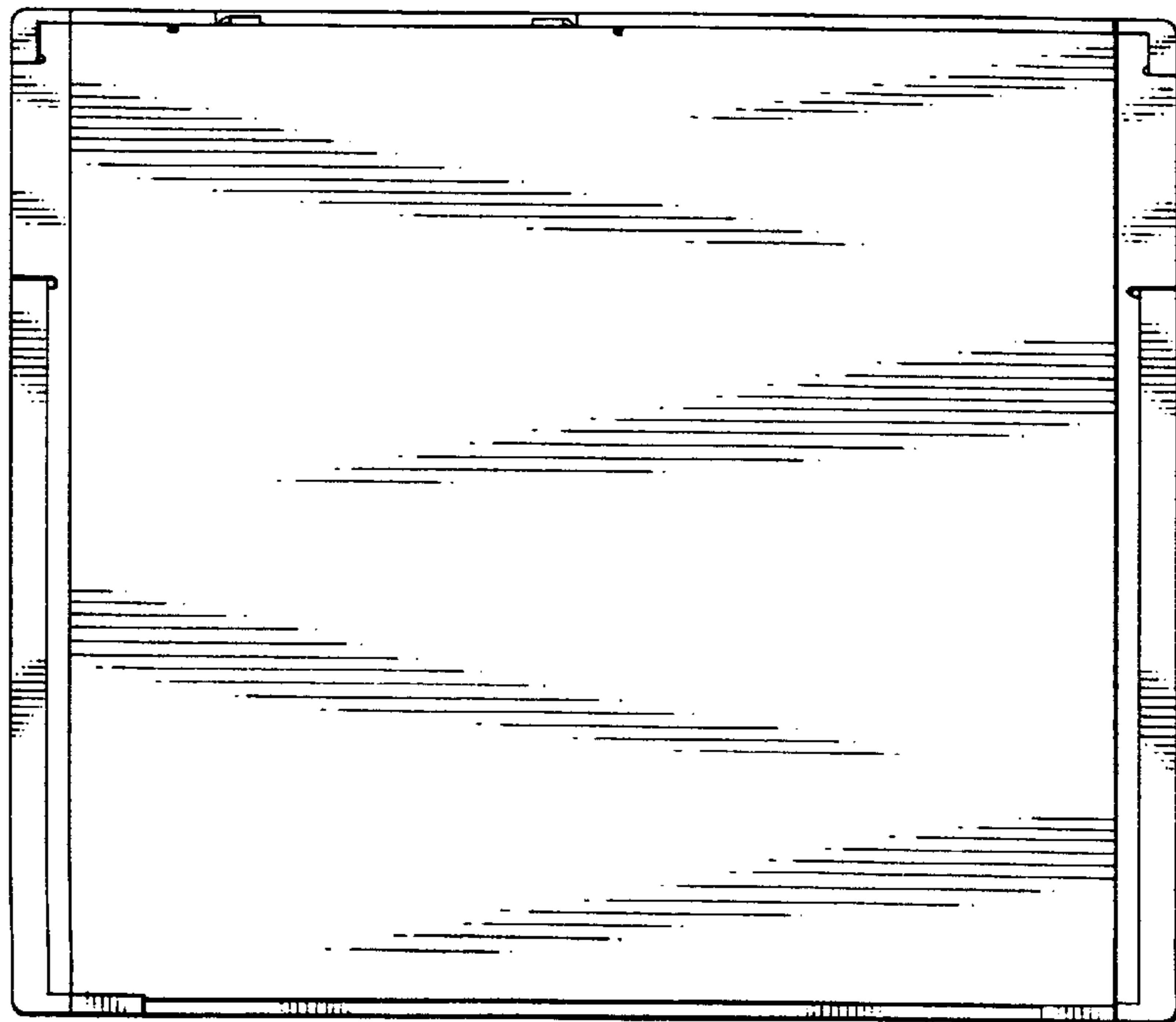


FIG. 3

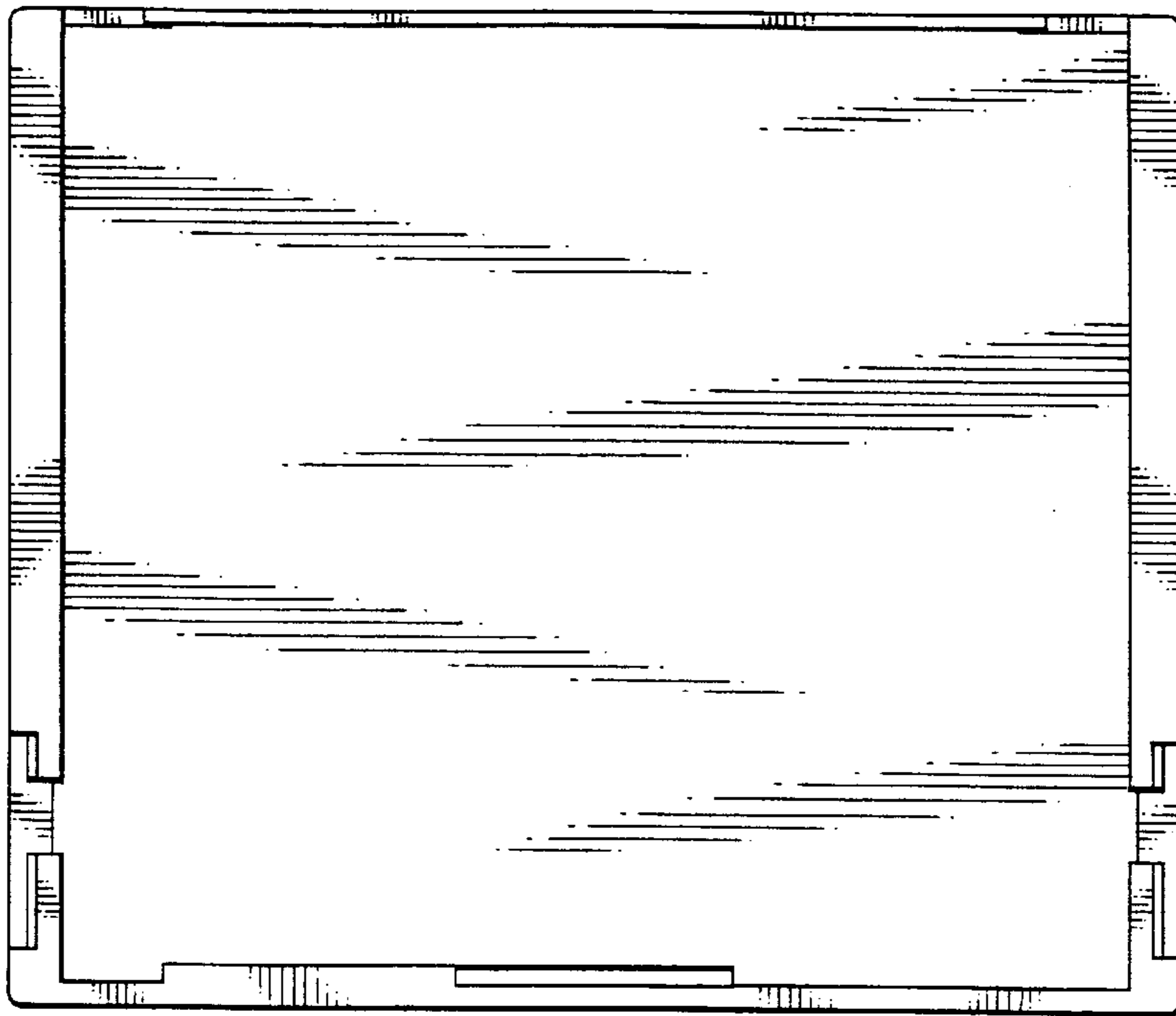


FIG. 4



FIG. 5

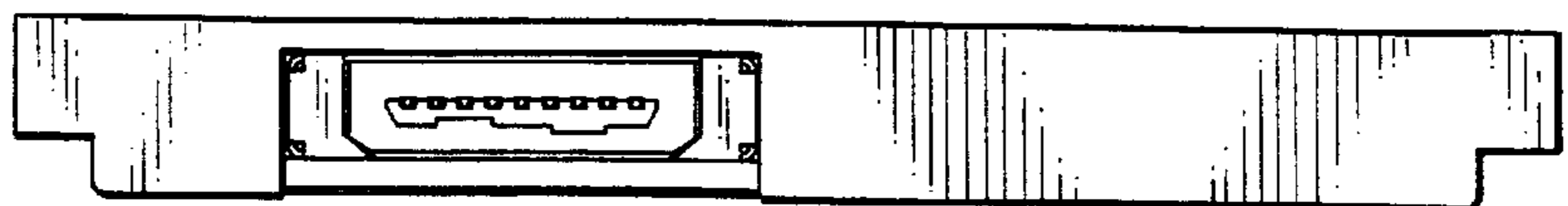


FIG. 6

