



US00D449834B1

(12) **United States Design Patent**
Chou et al.

(10) **Patent No.:** **US D449,834 S**

(45) **Date of Patent:** **** Oct. 30, 2001**

(54) **CPU CLIP**

(75) **Inventors:** **Fargo Chou; Edward Lee**, both of Taipei (TW)

(73) **Assignee:** **Thermosonic Technology Inc.**, Taipei (TW)

(**) **Term:** **14 Years**

(21) **Appl. No.:** **29/130,490**

(22) **Filed:** **Oct. 4, 2000**

(51) **LOC (7) Cl.** **14-02**

(52) **U.S. Cl.** **D14/432; D14/433**

(58) **Field of Search** **D14/432, 433, D14/434, 435, 439; 361/704, 710, 719, 720, 707, 709**

(56) **References Cited**

U.S. PATENT DOCUMENTS

5,594,624 * 1/1997 Clemens et al. 361/704
6,043,984 * 3/2000 Tseng 361/704

6,115,253 * 9/2000 Clemens et al. 361/704
6,118,661 * 9/2000 Lo 361/704
6,229,703 * 5/2001 Lee 361/704
6,229,705 * 5/2001 Lee 361/704

* cited by examiner

Primary Examiner—Kay H. Chin

(74) *Attorney, Agent, or Firm*—Rosenberg, Klein & Lee

(57) **CLAIM**

The ornamental design for a CPU clip, as shown and described.

DESCRIPTION

FIG. 1 is a perspective view of a CPU clip showing our new design.

FIG. 2 is a left side elevation view thereof;

FIG. 3 is a right side elevation view thereof;

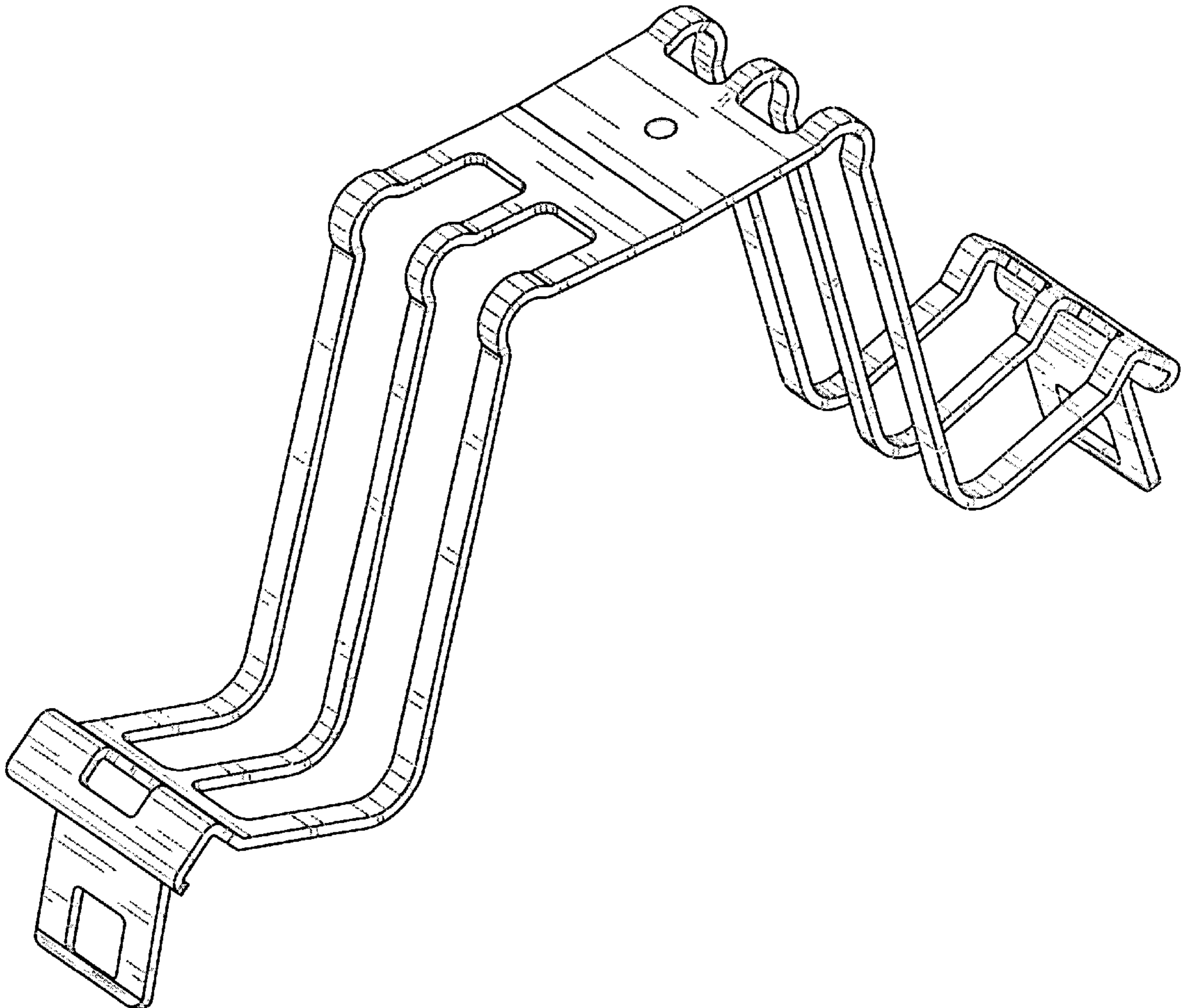
FIG. 4 is a front side elevation view thereof;

FIG. 5 is a rear side elevation view thereof;

FIG. 6 is a top plan view thereof; and,

FIG. 7 is a bottom plan view thereof.

1 Claim, 5 Drawing Sheets



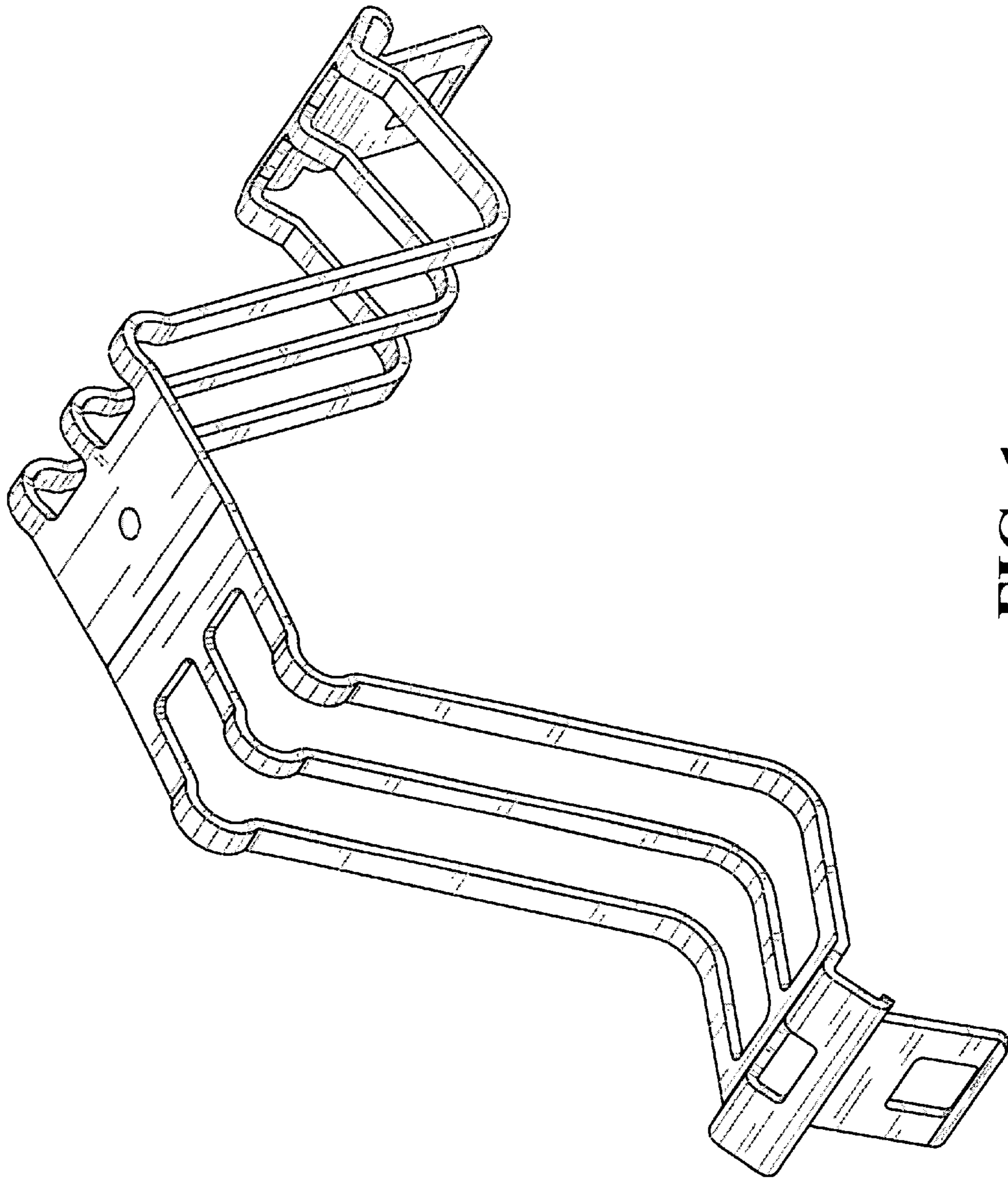


FIG. 1

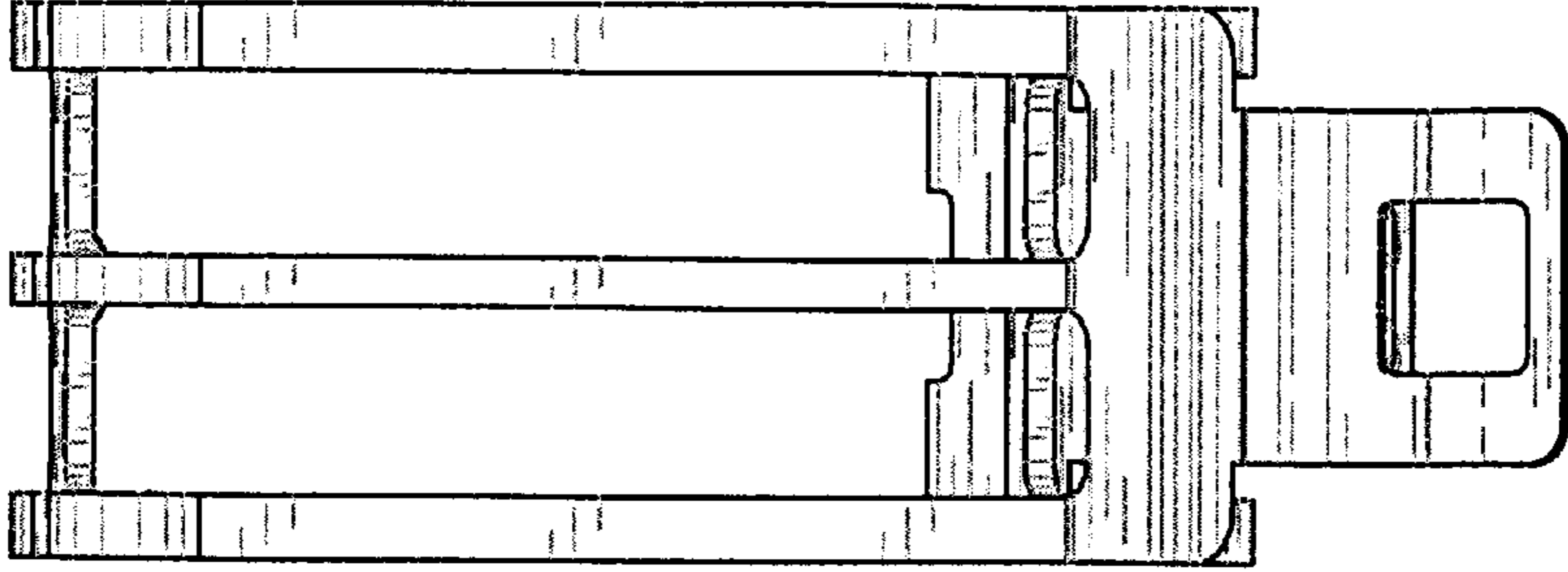


FIG. 3

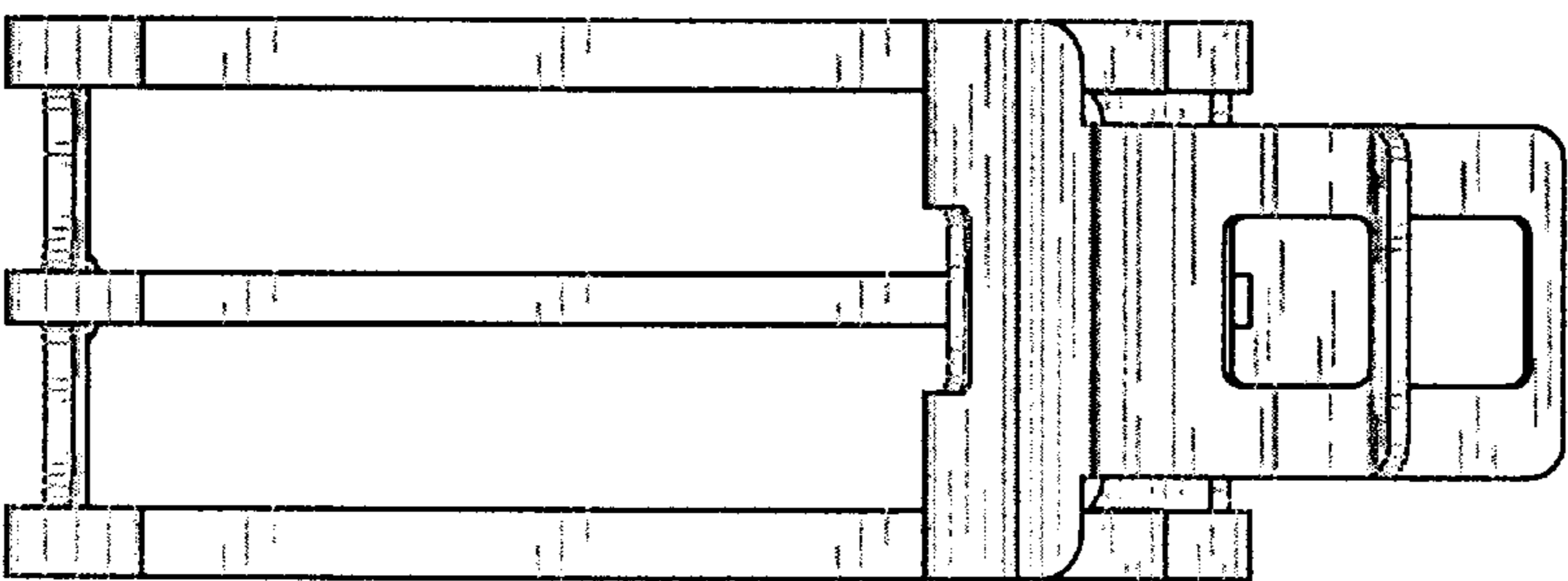


FIG. 2

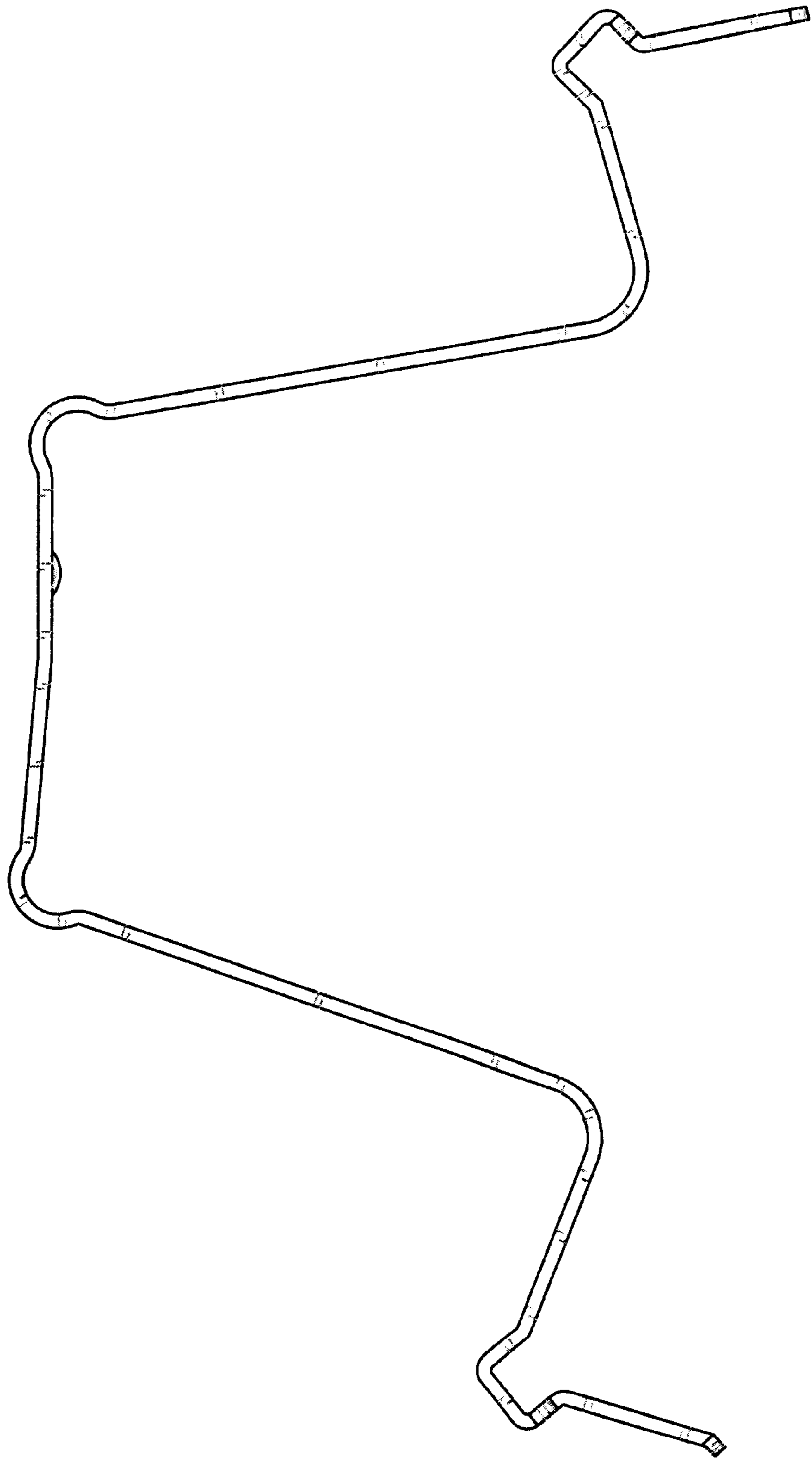


FIG. 4

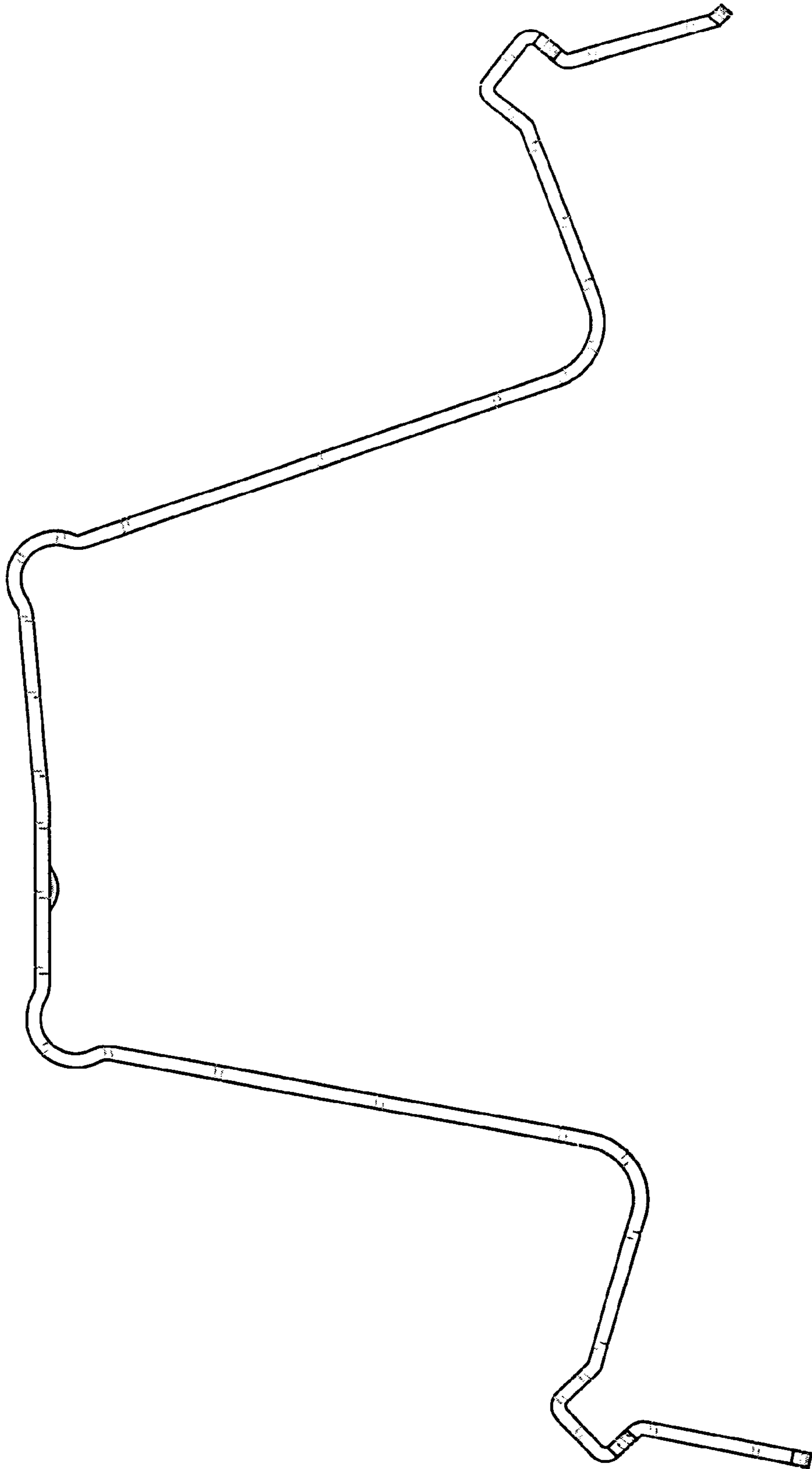


FIG. 5

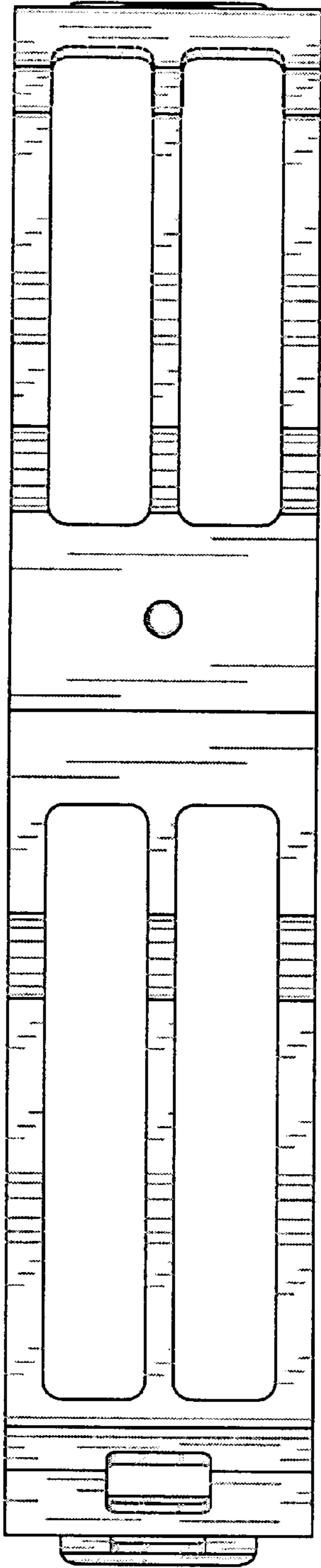


FIG. 6

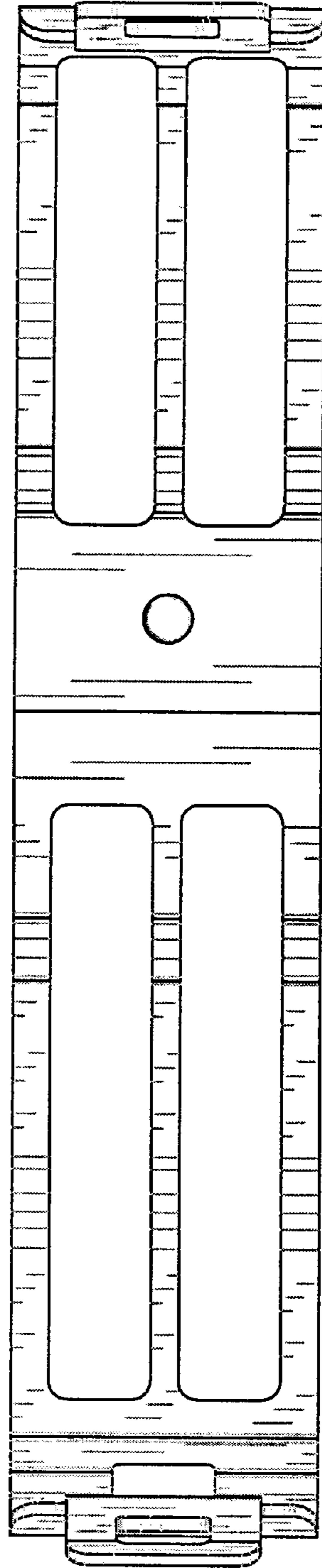


FIG. 7