



US00D449829B1

(12) **United States Design Patent**
Gustavsson et al.

(10) **Patent No.:** **US D449,829 S**

(45) **Date of Patent:** **** Oct. 30, 2001**

(54) **AUDIO SPEAKER**

(75) Inventors: **Niklas Gustavsson**, Palo Alto, CA
(US); **David Knaub**, Portland, OR
(US); **Josh Hoyt**, Soratoga, CA (US);
Henry Chin, Portland, OR (US)

(73) Assignee: **Sonigistix Corporation**, Richmond
(CA)

(**) Term: **14 Years**

(21) Appl. No.: **29/130,152**

(22) Filed: **Sep. 29, 2000**

(51) **LOC (7) Cl.** **14-01**

(52) **U.S. Cl.** **D14/214**

(58) **Field of Search** D14/204, 210-216;
181/144-148, 153, 157, 198, 199; 381/300-302,
307, 359, 361, 363, 368

(56) **References Cited**

U.S. PATENT DOCUMENTS

D. 302,979 * 8/1989 Sanders D14/214

D. 342,255 * 12/1993 Ito et al. D14/211 X
D. 391,574 * 3/1998 Chen D14/214 X
D. 391,963 * 3/1998 Wong et al. D14/214
D. 425,897 * 5/2000 Cho D14/214
5,896,461 * 4/1999 Faraci et al. 381/361 X

* cited by examiner

Primary Examiner—Nanda Bondade

(74) *Attorney, Agent, or Firm*—Dowell & Dowell,P.C.

(57) **CLAIM**

The ornamental design for an audio speaker, as shown and described.

DESCRIPTION

FIG. 1 is a front elevational view of an audio speaker showing our new design;
FIG. 2 is a right side view;
FIG. 3 is a rear elevational view;
FIG. 4 is a top plan view;
FIG. 5 is a bottom plan view; and,
FIG. 6 is a rear perspective view.

1 Claim, 5 Drawing Sheets

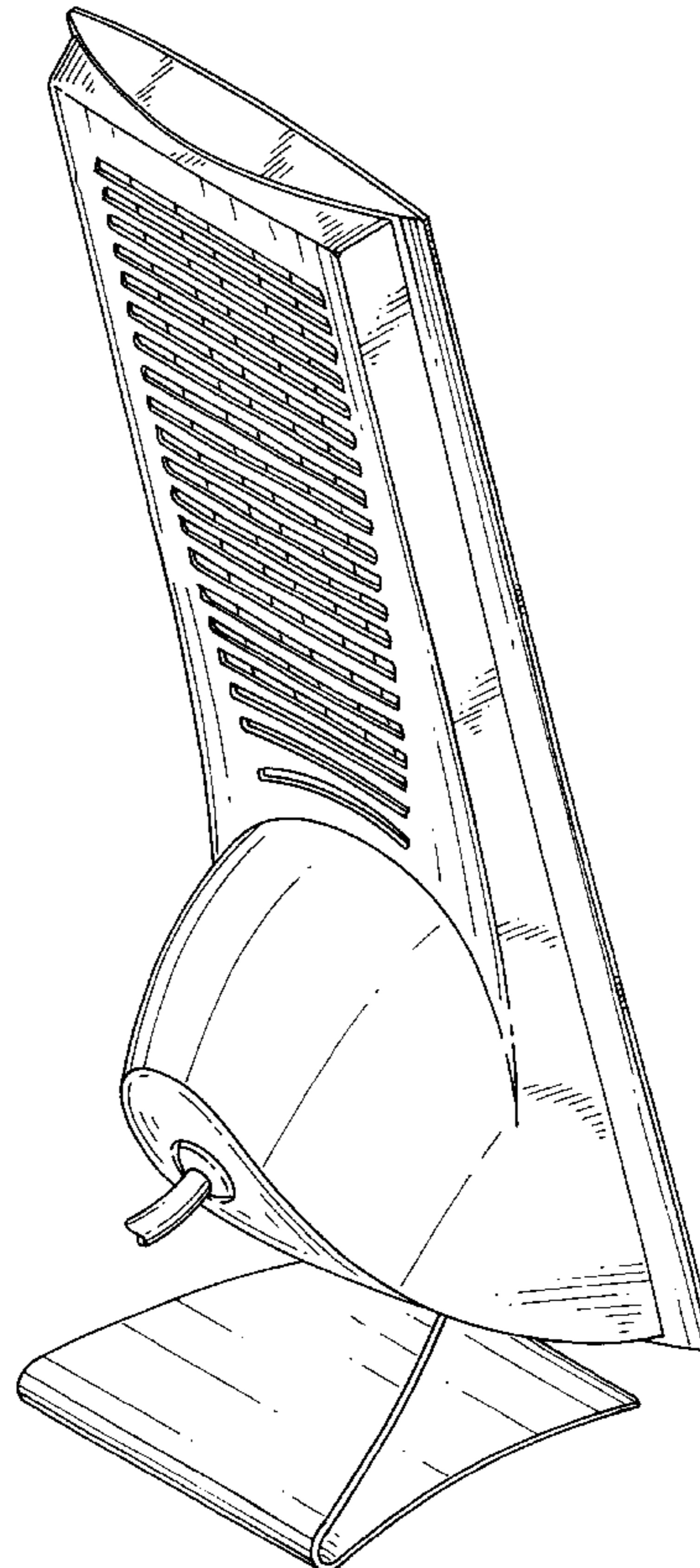
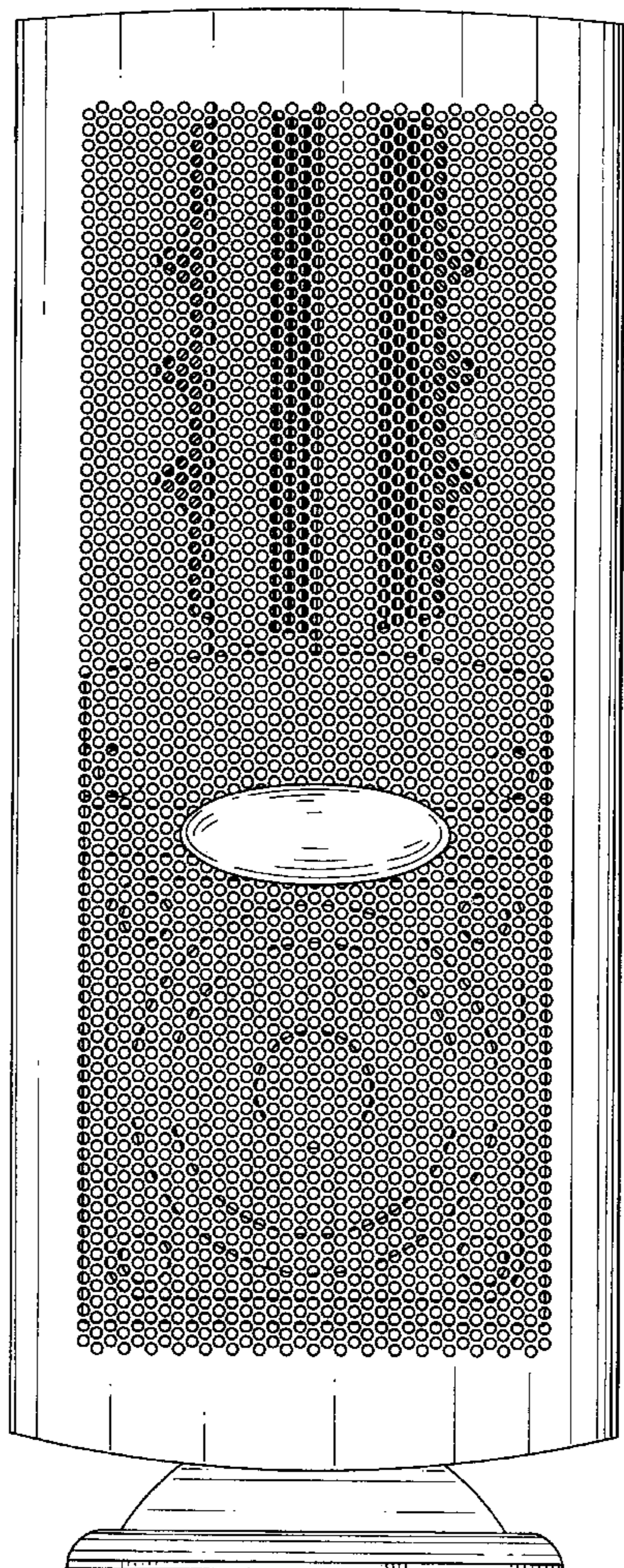
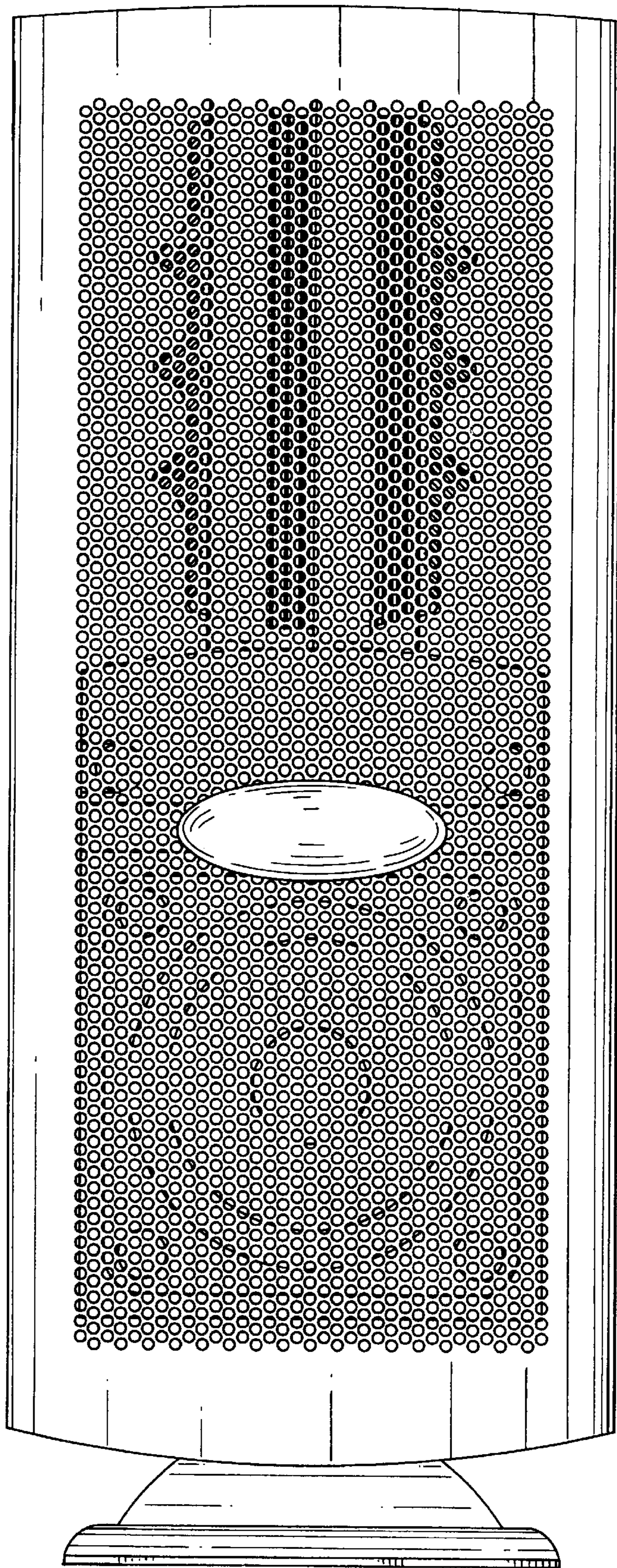


FIG. 1



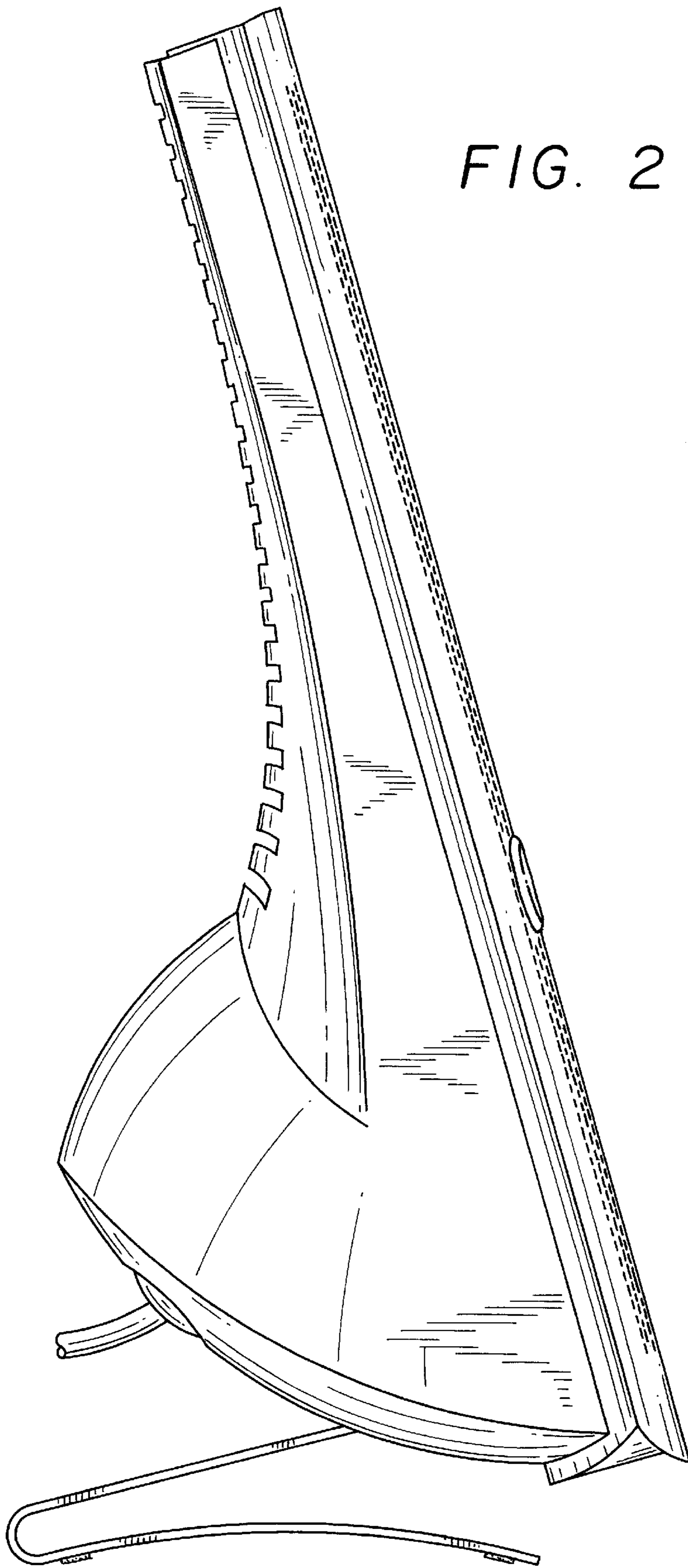
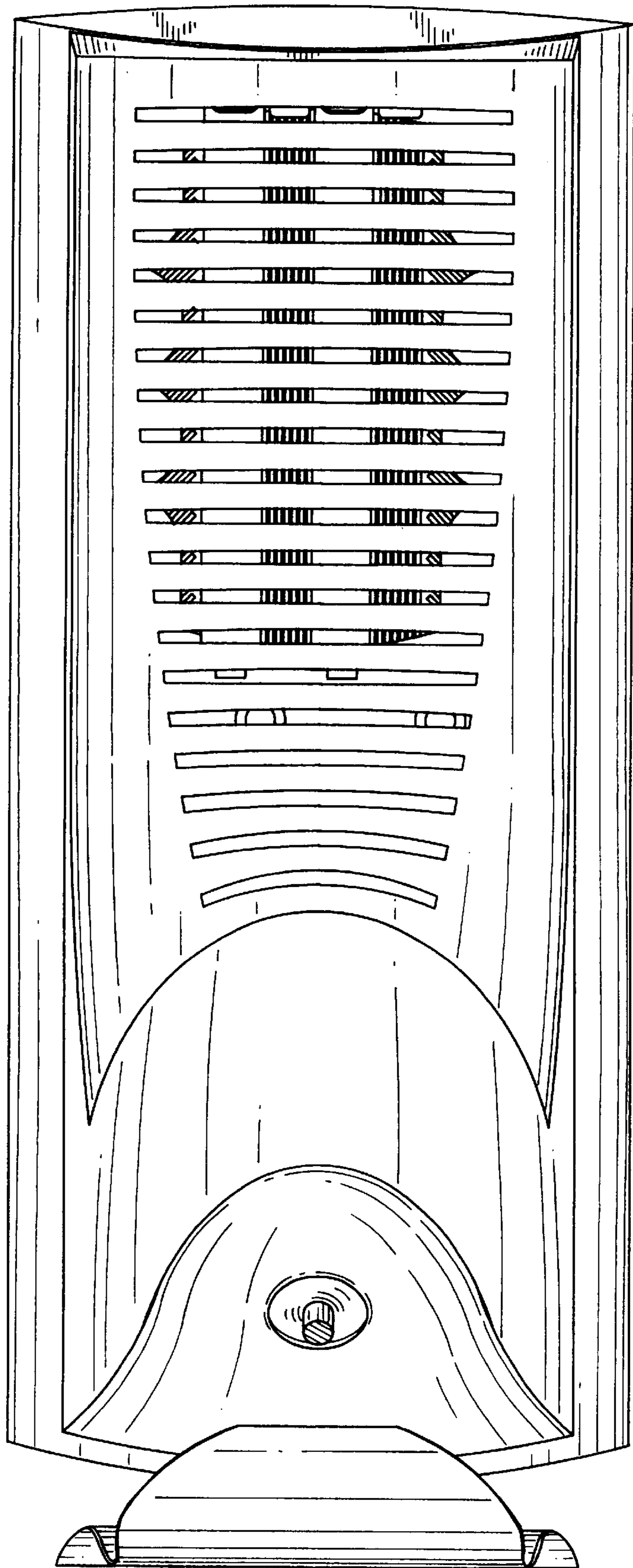


FIG. 3



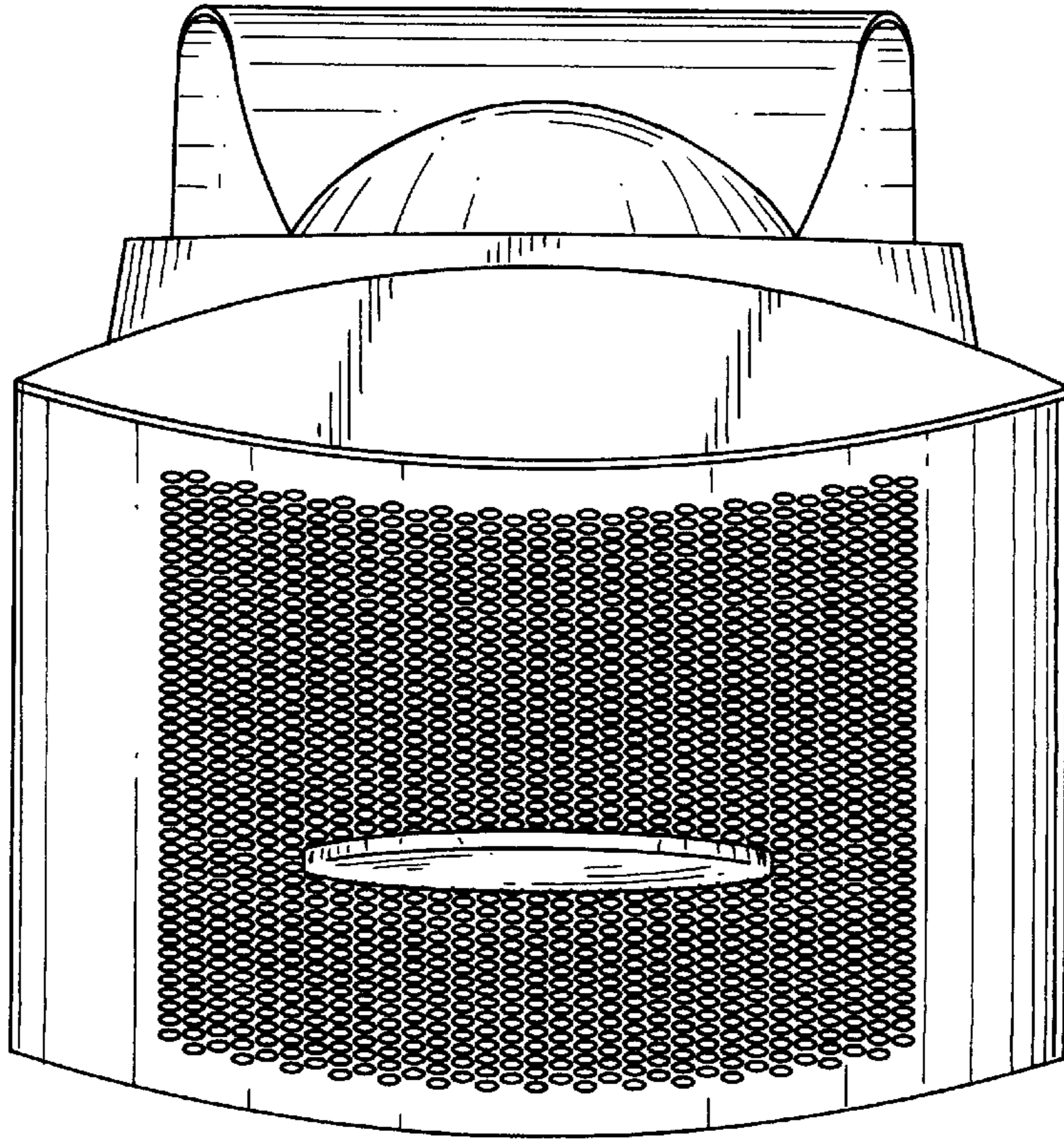


FIG. 4

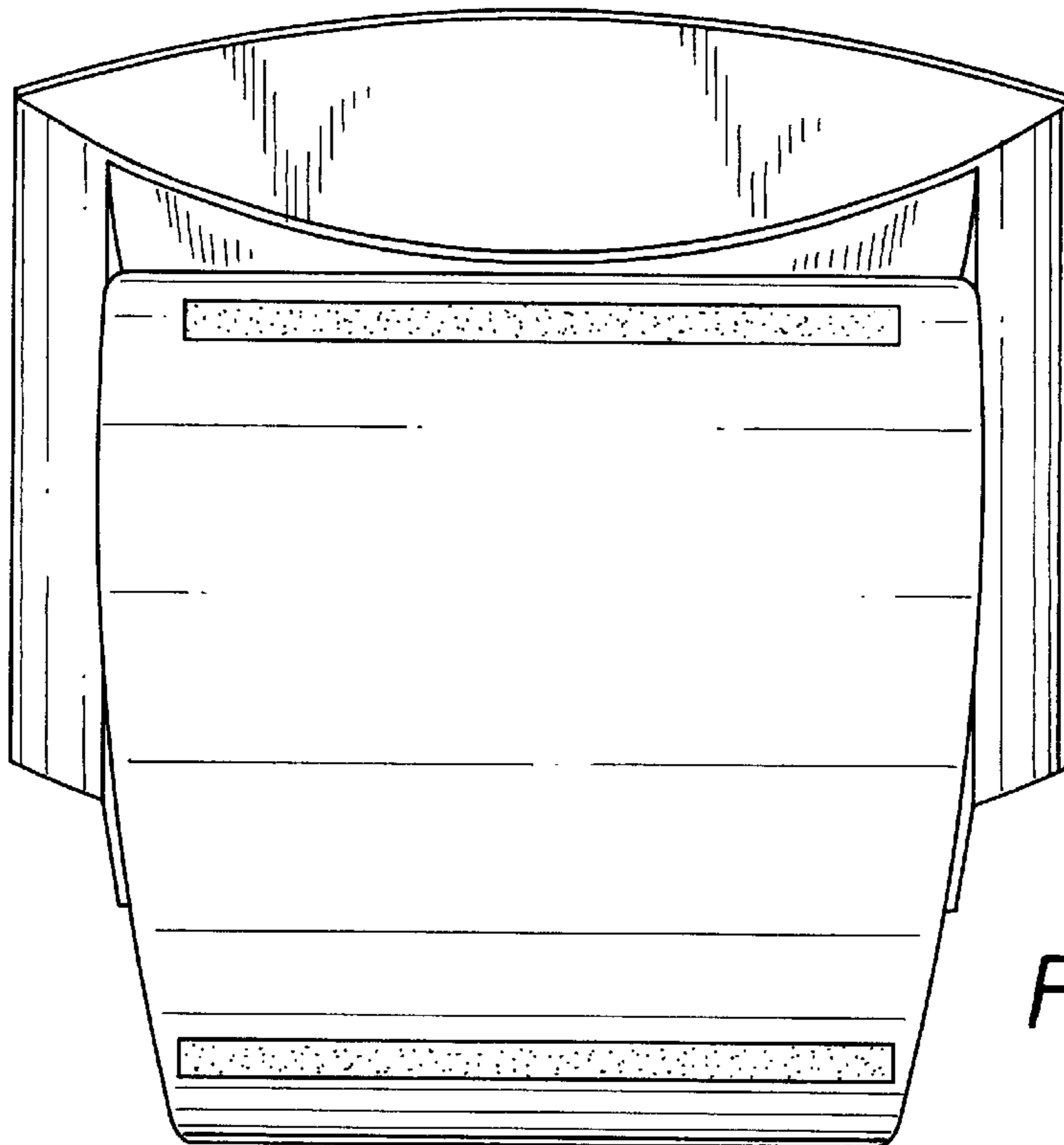


FIG. 5

FIG. 6

