



US00D449827B1

(12) **United States Design Patent**
Calle Aleman et al.

(10) **Patent No.:** **US D449,827 S**

(45) **Date of Patent:** **** Oct. 30, 2001**

(54) **TELEPHONE SET**

(76) Inventors: **Juan C. Calle Aleman**, Calle Río Santiago No. 158, Lima 05 (PE); **Yun Seok Huh**, Daewon, Apt.806-1902, Chongsol Maul Gungok-Dong, Bundang-Gu, Songnam-City (KR)

(**) Term: **14 Years**

(21) Appl. No.: **29/139,546**

(22) Filed: **Apr. 2, 2001**

(51) **LOC (7) Cl.** **14-03**

(52) **U.S. Cl.** **D14/151**

(58) **Field of Search** D14/137, 138, D14/148, 147, 149-151, 140-142, 240, 241, 329, 330, 130; D13/108; 379/433-436, 419, 420, 428, 440; 348/14.01, 14.02

(56) **References Cited**

U.S. PATENT DOCUMENTS

- D. 286,284 * 10/1986 Sasaki et al. D14/138
- D. 291,439 * 8/1987 Wu D14/151
- D. 296,890 * 7/1988 Wu D14/151
- D. 298,320 * 11/1988 Hirose et al. D14/151
- D. 299,228 * 1/1989 Kurosu et al. D14/141
- D. 303,386 * 9/1989 Iino D14/142
- D. 303,388 * 9/1989 Mo D14/151

- D. 305,025 * 12/1989 Masaaki D14/151
- D. 307,426 * 4/1990 Ohta et al. D14/142
- D. 307,430 * 4/1990 Desbarats D14/151
- D. 308,059 * 5/1990 Desbarats D14/151
- D. 312,458 * 11/1990 Suzuki D14/144
- D. 316,857 * 5/1991 Park D14/138
- D. 319,829 * 9/1991 Wu D14/151
- D. 322,786 * 12/1991 Wu D14/151
- D. 340,715 * 10/1993 Desbarats D14/151
- D. 431,541 * 10/2000 Nagele et al. D14/151
- D. 437,840 * 2/2001 Korby et al. D14/151

* cited by examiner

Primary Examiner—Jeffrey Asch

(74) *Attorney, Agent, or Firm*—J. Sanchelima

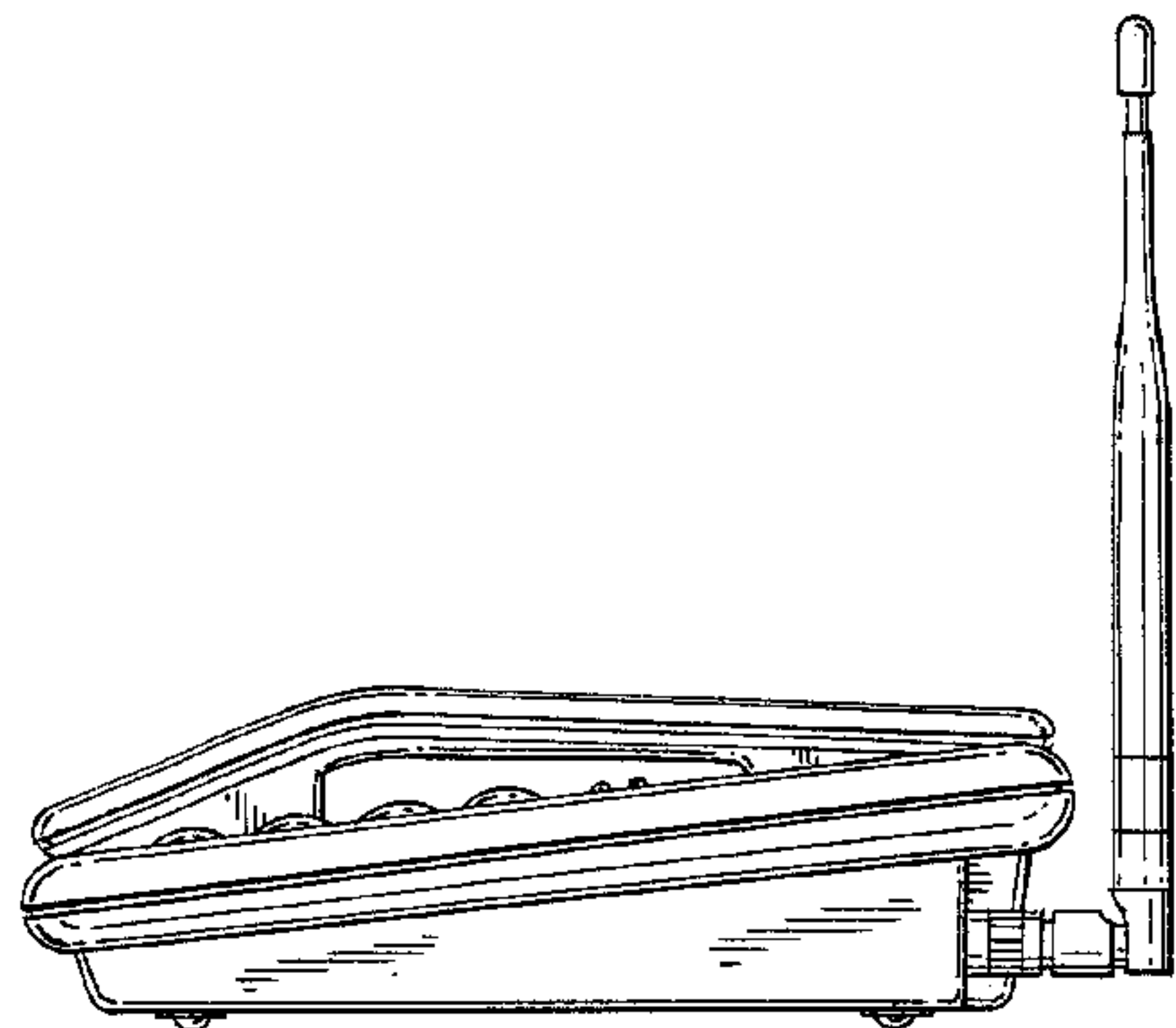
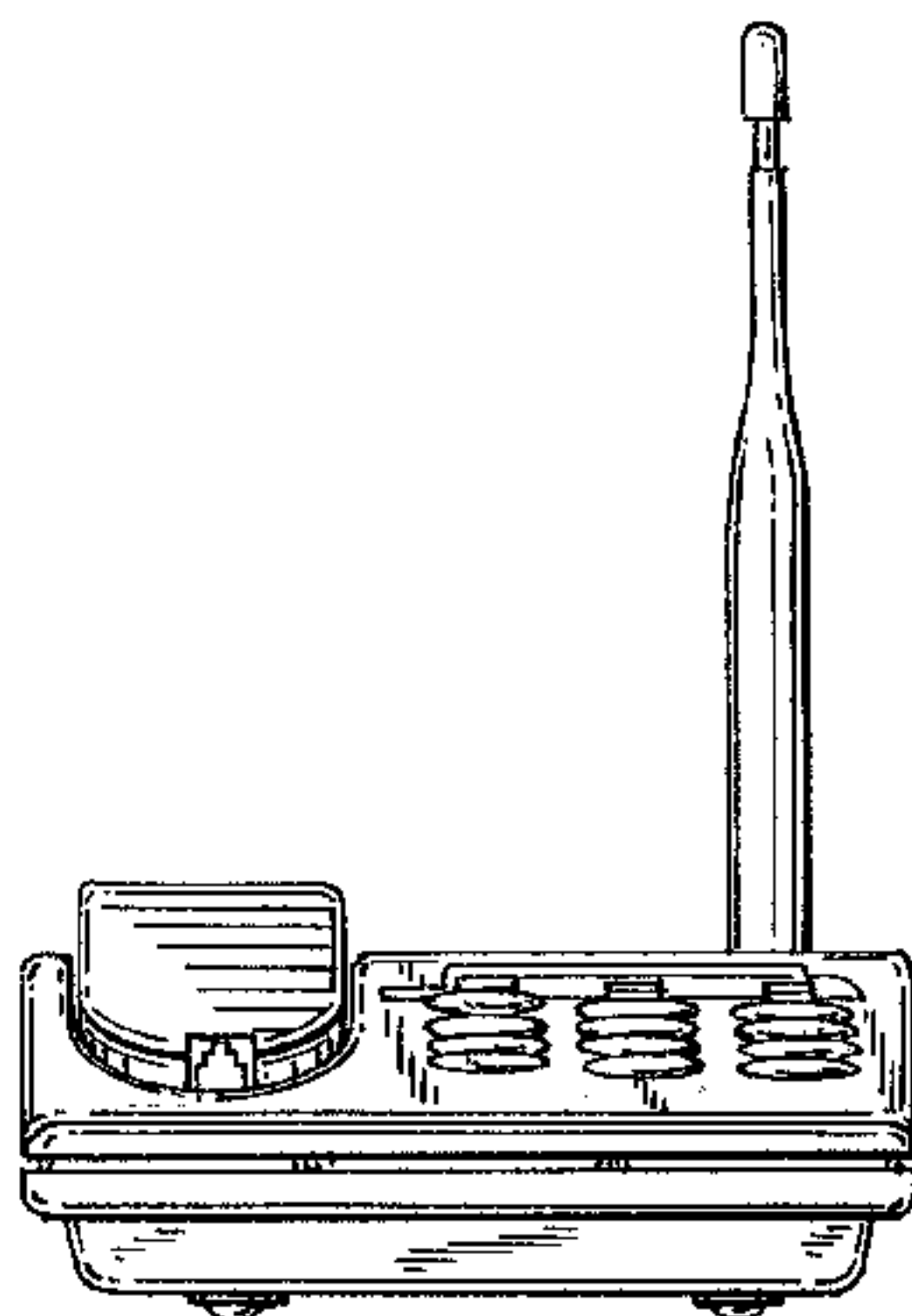
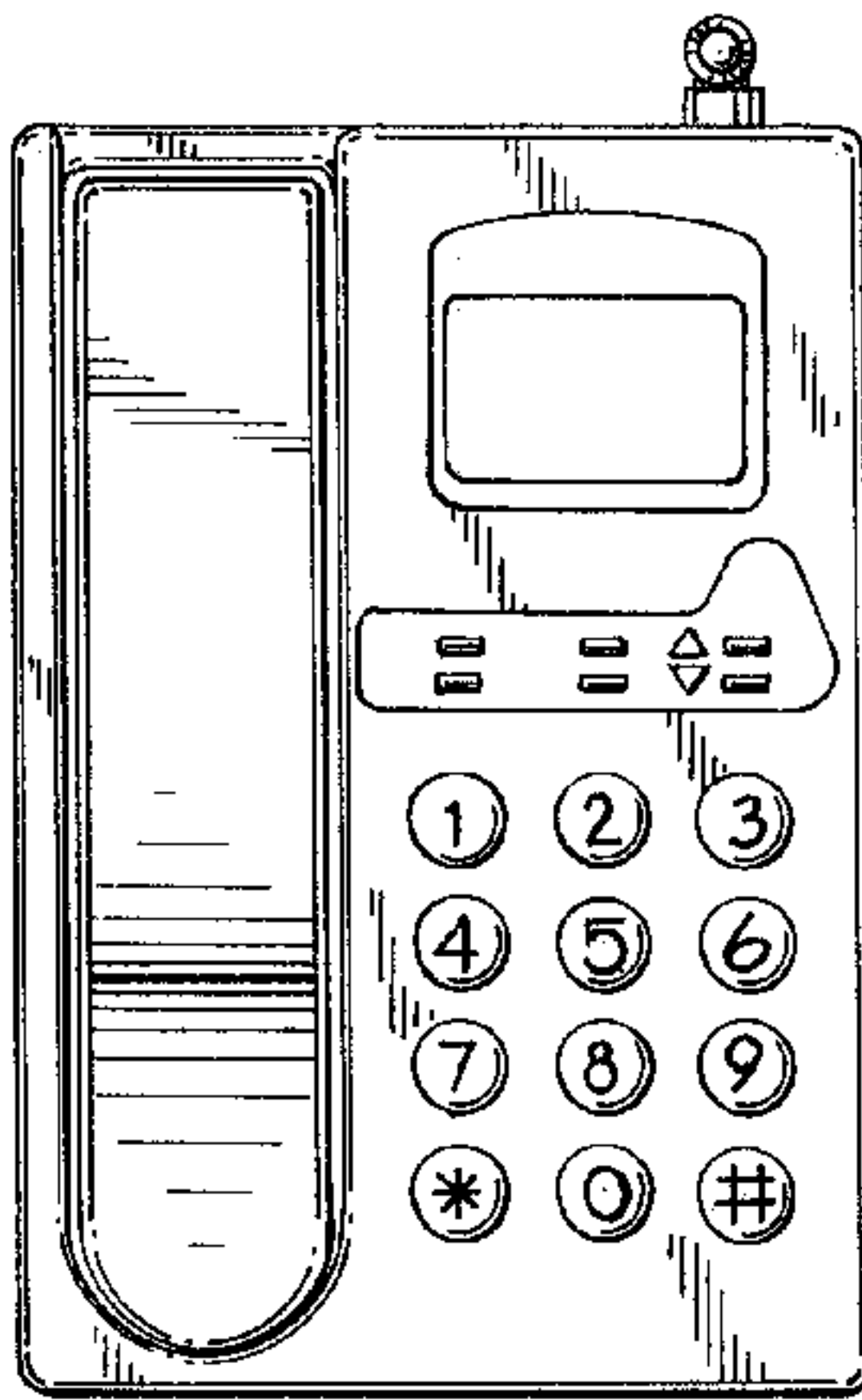
(57) **CLAIM**

The ornamental design for telephone set, as shown and described.

DESCRIPTION

FIG. 1 is a top plan view of a telephone set showing my new design;
FIG. 2 is a front elevational view thereof;
FIG. 3 is a bottom plan view thereof;
FIG. 4 is a left side elevational view thereof;
FIG. 5 is a back view thereof; and,
FIG. 6 is a right side elevational view thereof.

1 Claim, 2 Drawing Sheets



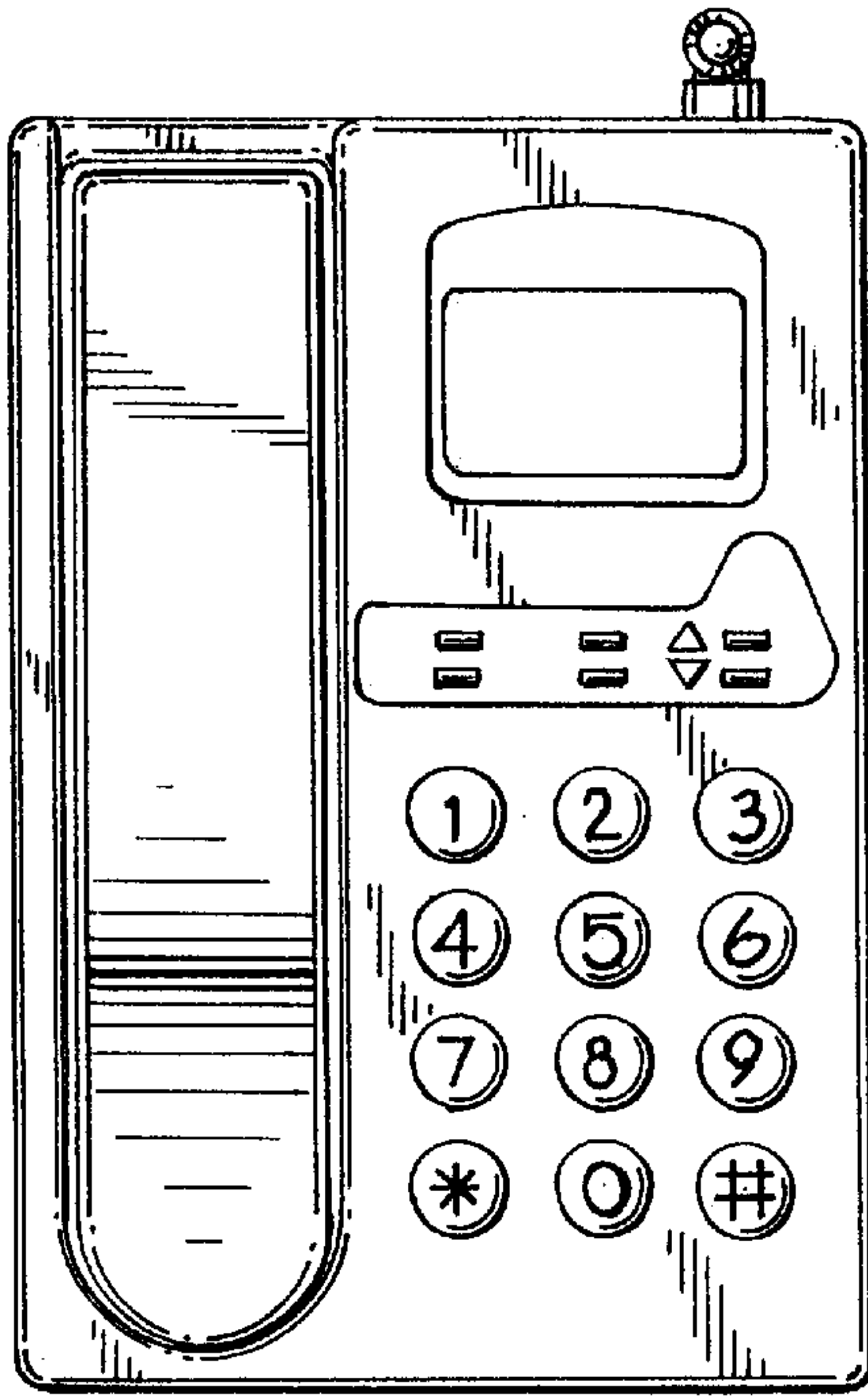


FIG. 1.

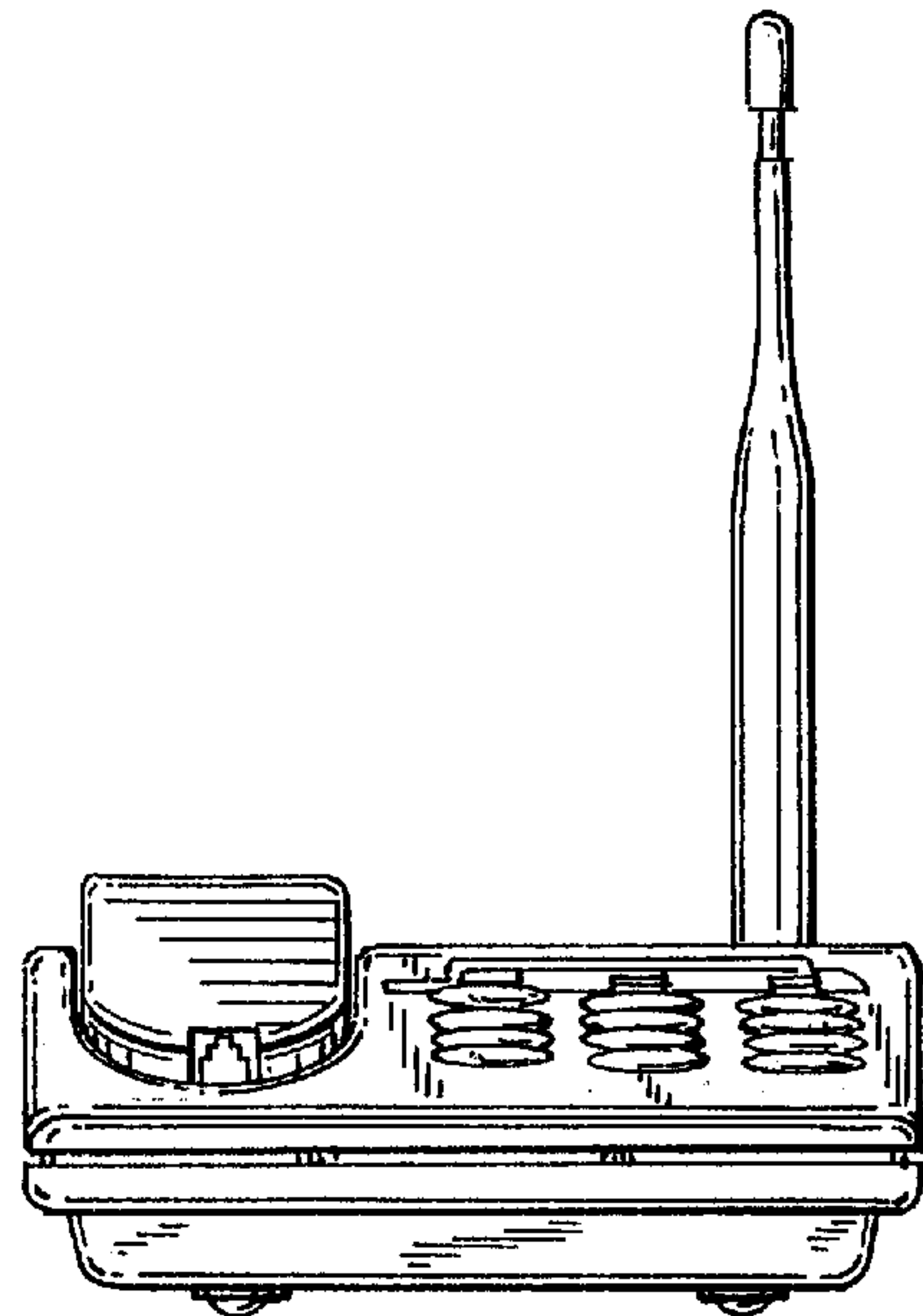


FIG. 2.

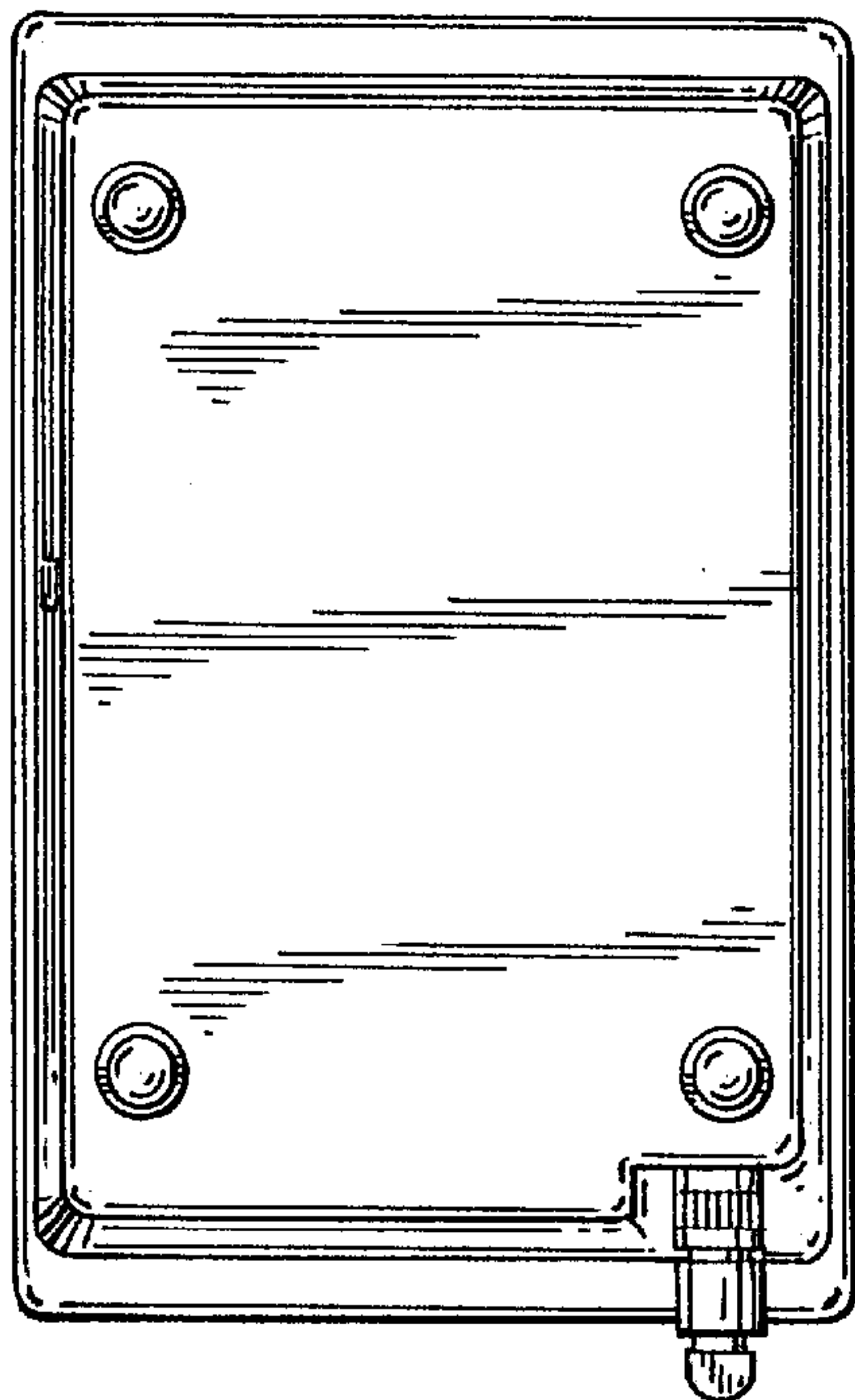
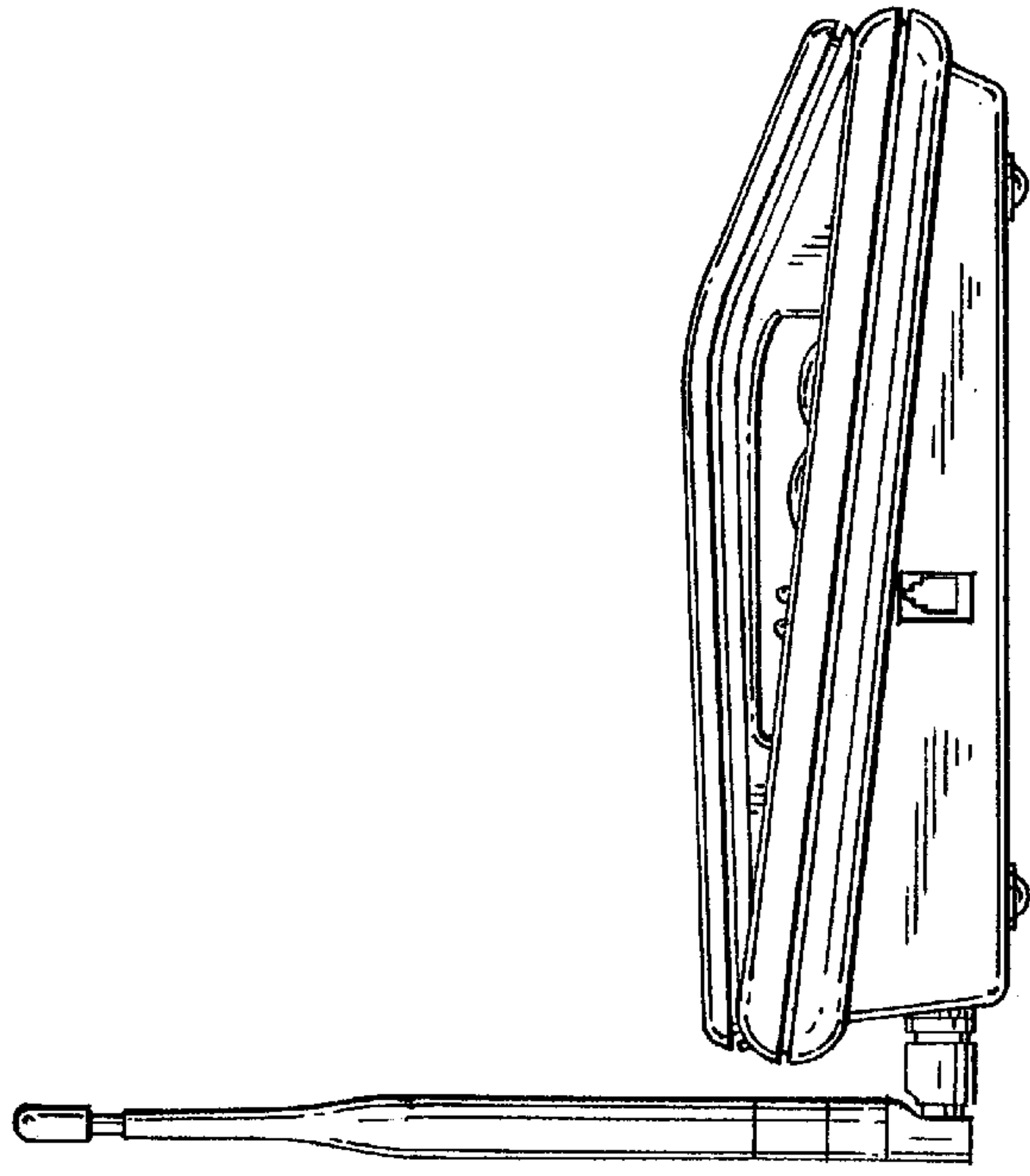
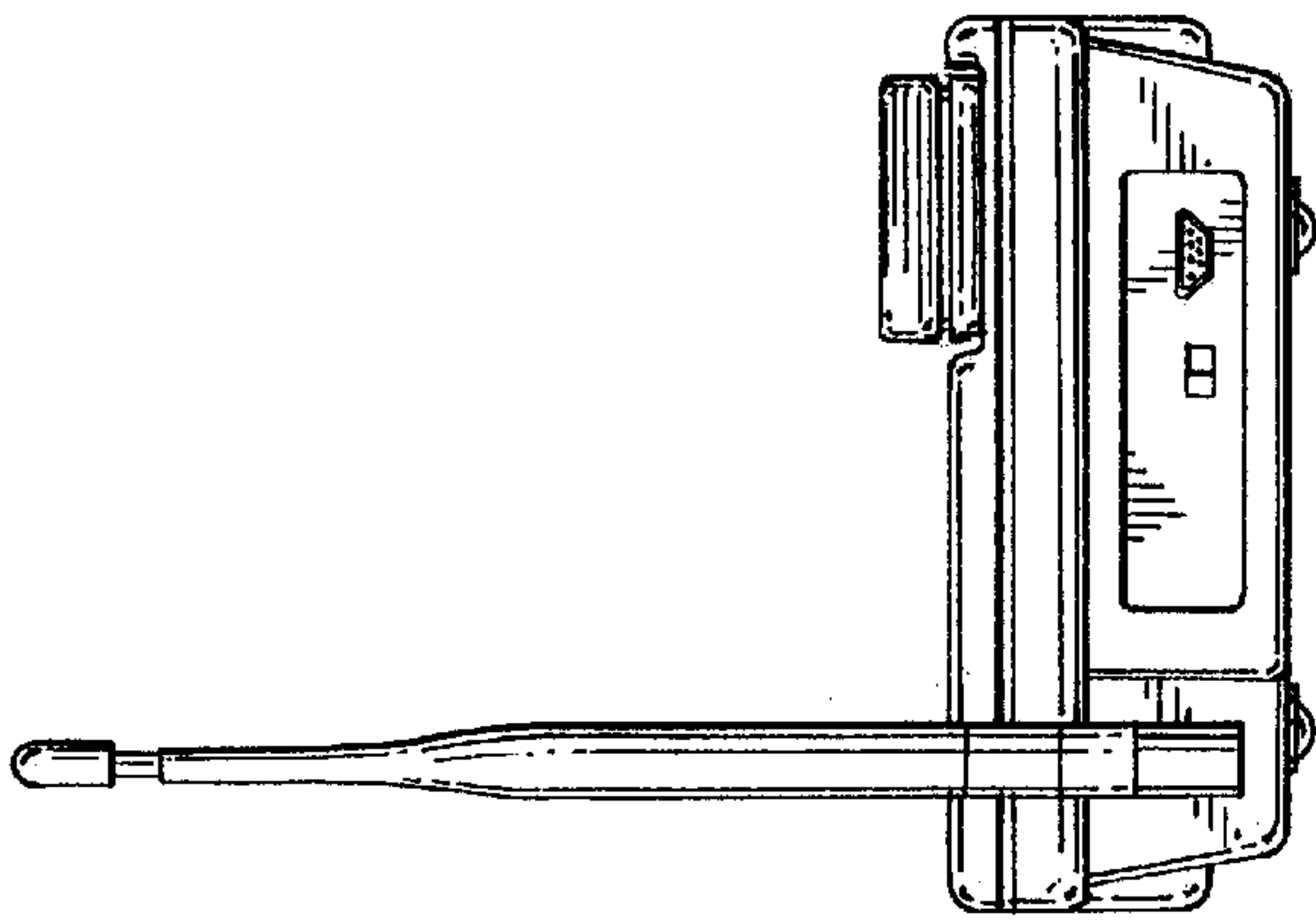


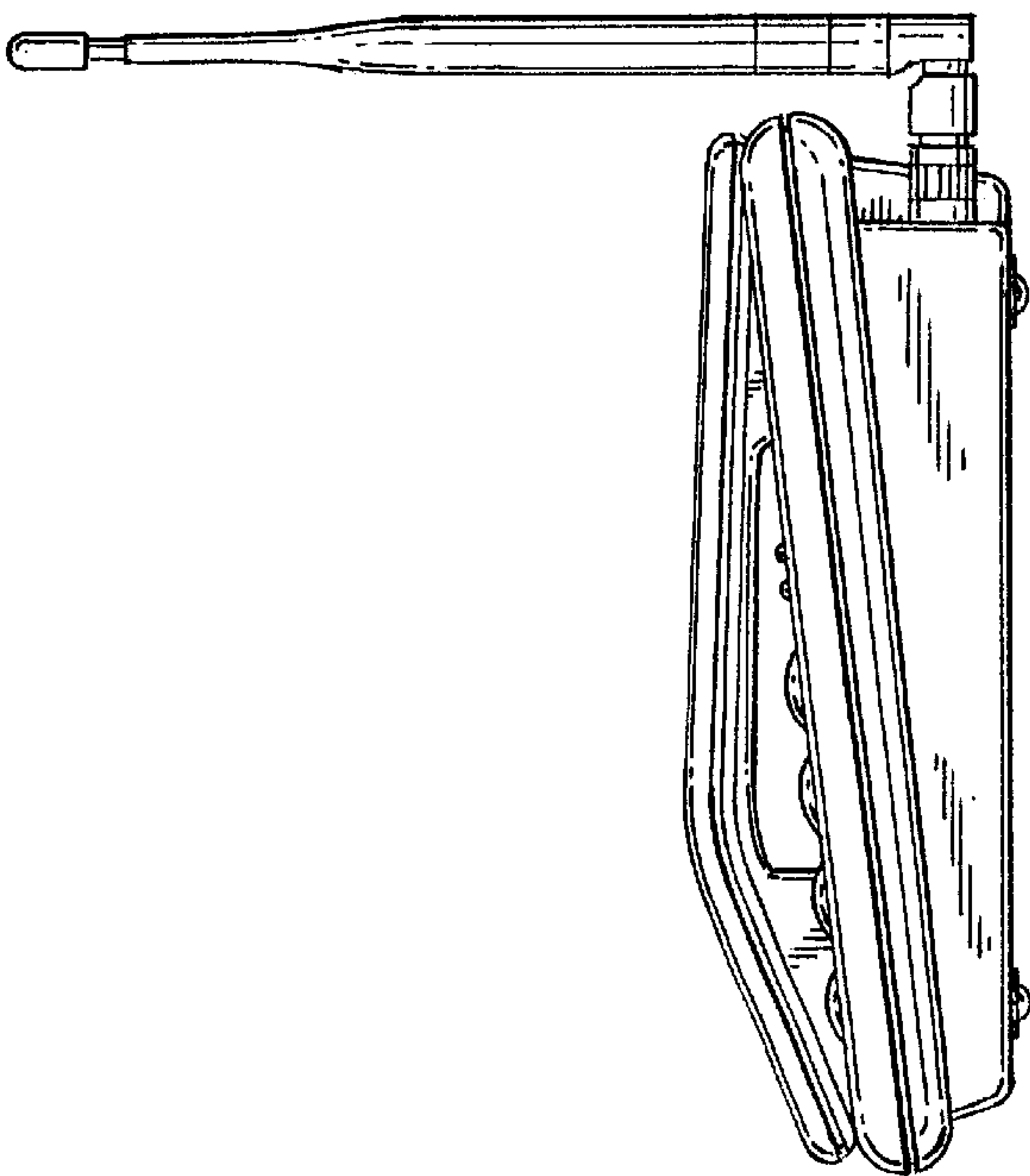
FIG. 3.



729-6-



729-5-



729-4-