



US00D449823B1

(12) **United States Design Patent**
Kojoyo et al.

(10) **Patent No.:** **US D449,823 S**

(45) **Date of Patent:** **** Oct. 30, 2001**

(54) **OPERATING DEVICE FOR AN INVERTER CONTROLLER**

(75) Inventors: **Makoto Kojoyo; Akiko Yasunaga; Hiroe Nagahara; Hiromi Imamura**, all of Fukuoka (JP)

(73) Assignee: **Kabushiki Kaisha Yaskawa Denki**, Fukuoka (JP)

(**) Term: **14 Years**

(21) Appl. No.: **29/133,164**

(22) Filed: **Nov. 22, 2000**

(30) **Foreign Application Priority Data**

May 26, 2000 (JP) 12-013981

(51) **LOC (7) Cl.** **14-03**

(52) **U.S. Cl.** **D13/168**

(58) **Field of Search** D13/168; D14/174, D14/191, 218; D10/106; D21/234; 200/293-293.1, 298, 330-331; 340/825.22-825.23, 825.69, 825.72; 341/176; 455/128

(56) **References Cited**

U.S. PATENT DOCUMENTS

D. 306,853 * 3/1990 Mayo et al. D13/168

D. 351,141 * 10/1994 Akkeren et al. D13/168

D. 364,850 * 12/1995 Estrada et al. D13/168 X
D. 391,924 * 3/1998 Mayo et al. D13/168
D. 396,845 * 8/1998 Caldes et al. D13/168 X

* cited by examiner

Primary Examiner—Brian N. Vinson

(74) *Attorney, Agent, or Firm*—Jordan and Hamburg LLP

(57) **CLAIM**

The ornamental design for an operating device for an inverter controller, as shown and described.

DESCRIPTION

FIG. 1 is a perspective view of an operating device for an inverter controller showing our new design; FIG. 2 is a front elevational view thereof; FIG. 3 is a right side elevational view thereof; FIG. 4 is a left side elevational view thereof; FIG. 5 is a rear elevational view thereof; FIG. 6 is a top plan view thereof; FIG. 7 is a bottom plan view thereof; and, FIG. 8 is a perspective view of our new design, similar to FIG. 1, but on a smaller scale, showing an example of the orientation of our new design relative to an inverter controller, the inverter controller being shown in broken lines, the broken lines being for illustrative purposes only and form no part of the claimed design.

1 Claim, 6 Drawing Sheets

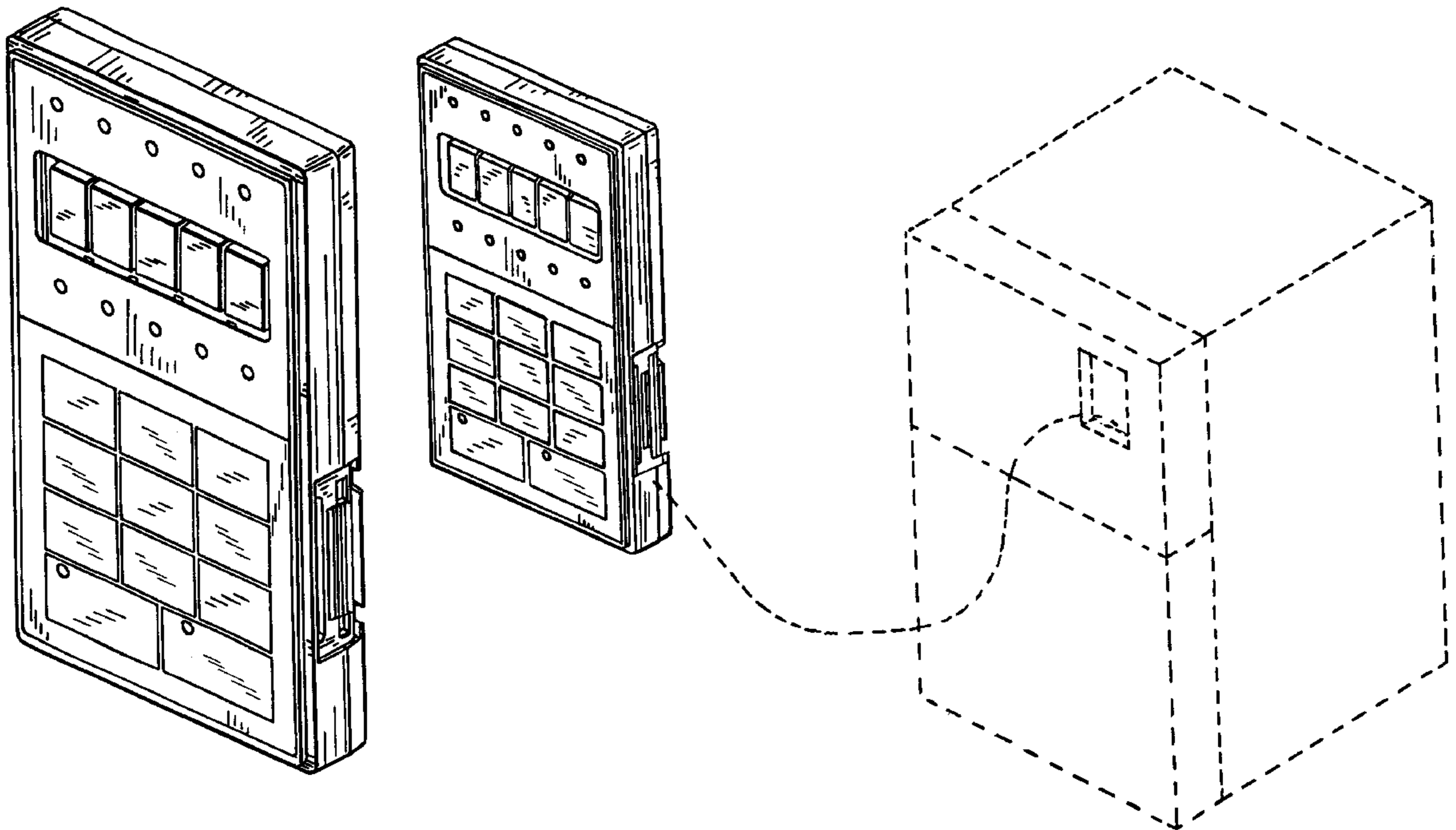




FIG. 1

FIG. 2

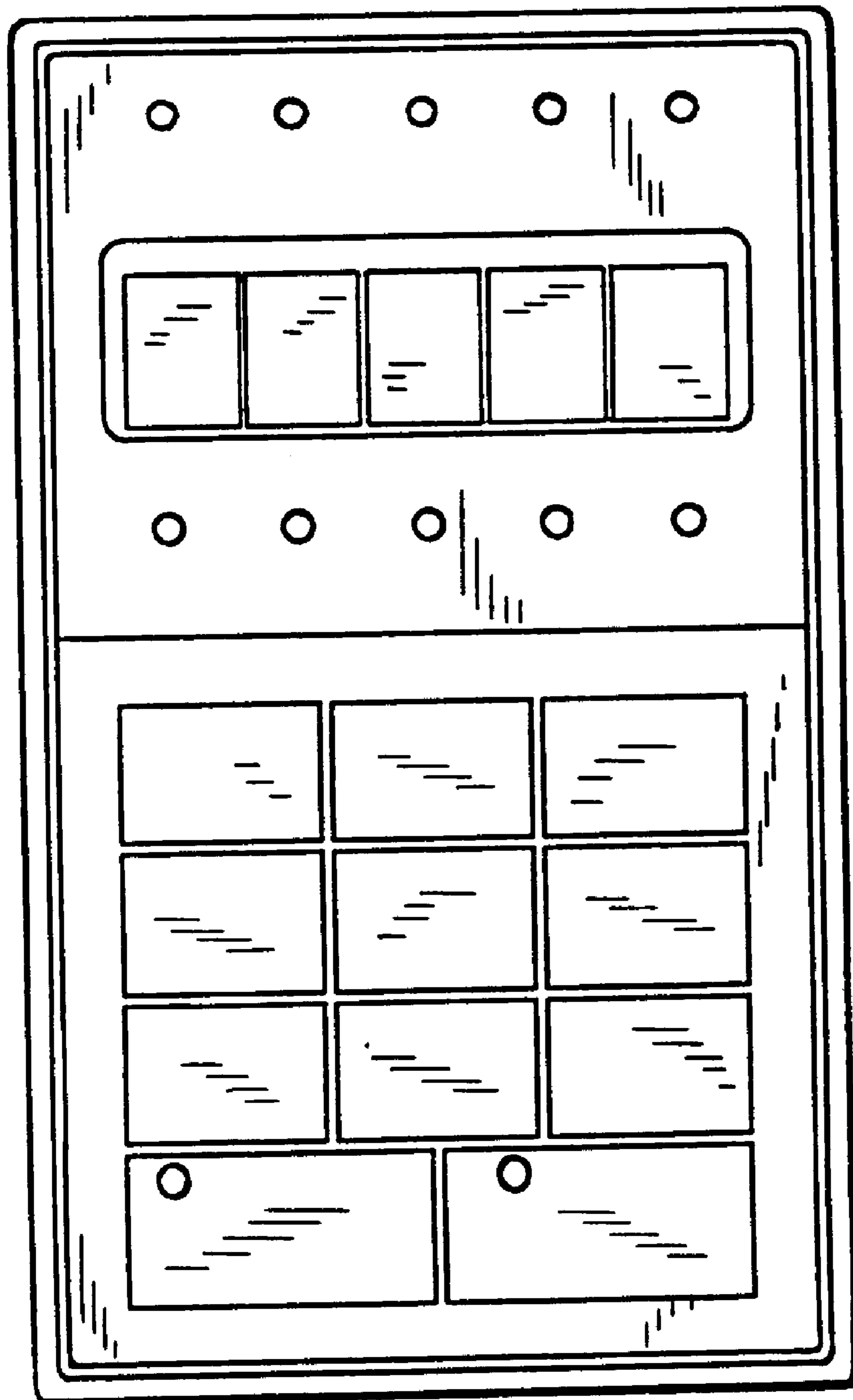


FIG. 4

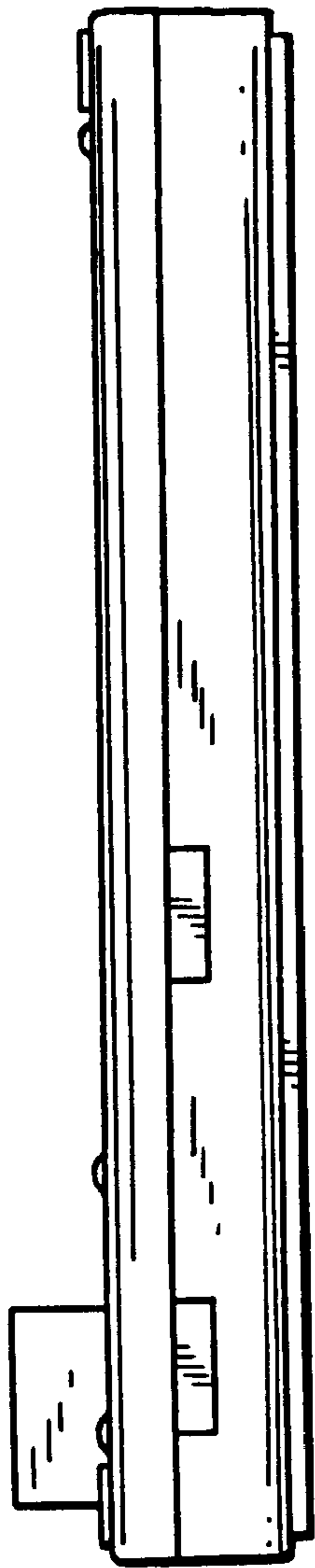


FIG. 3

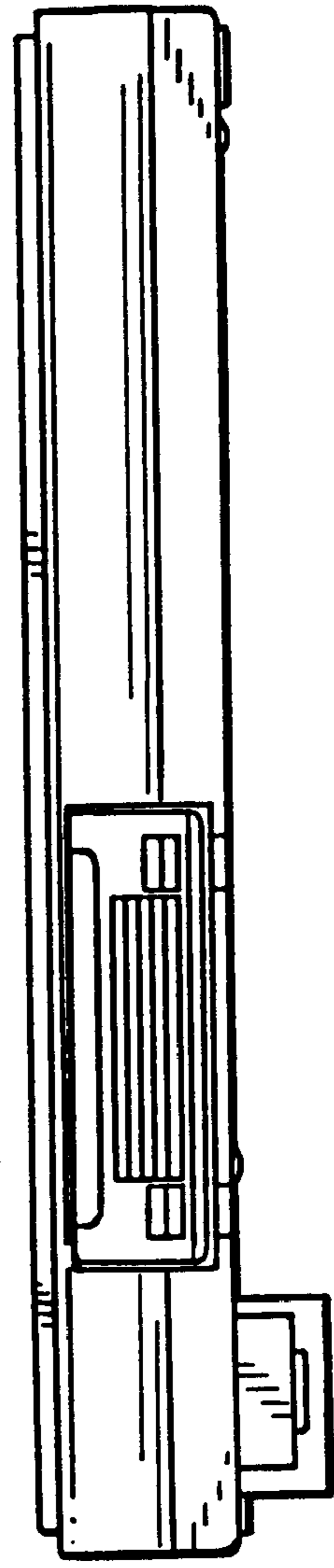


FIG. 5

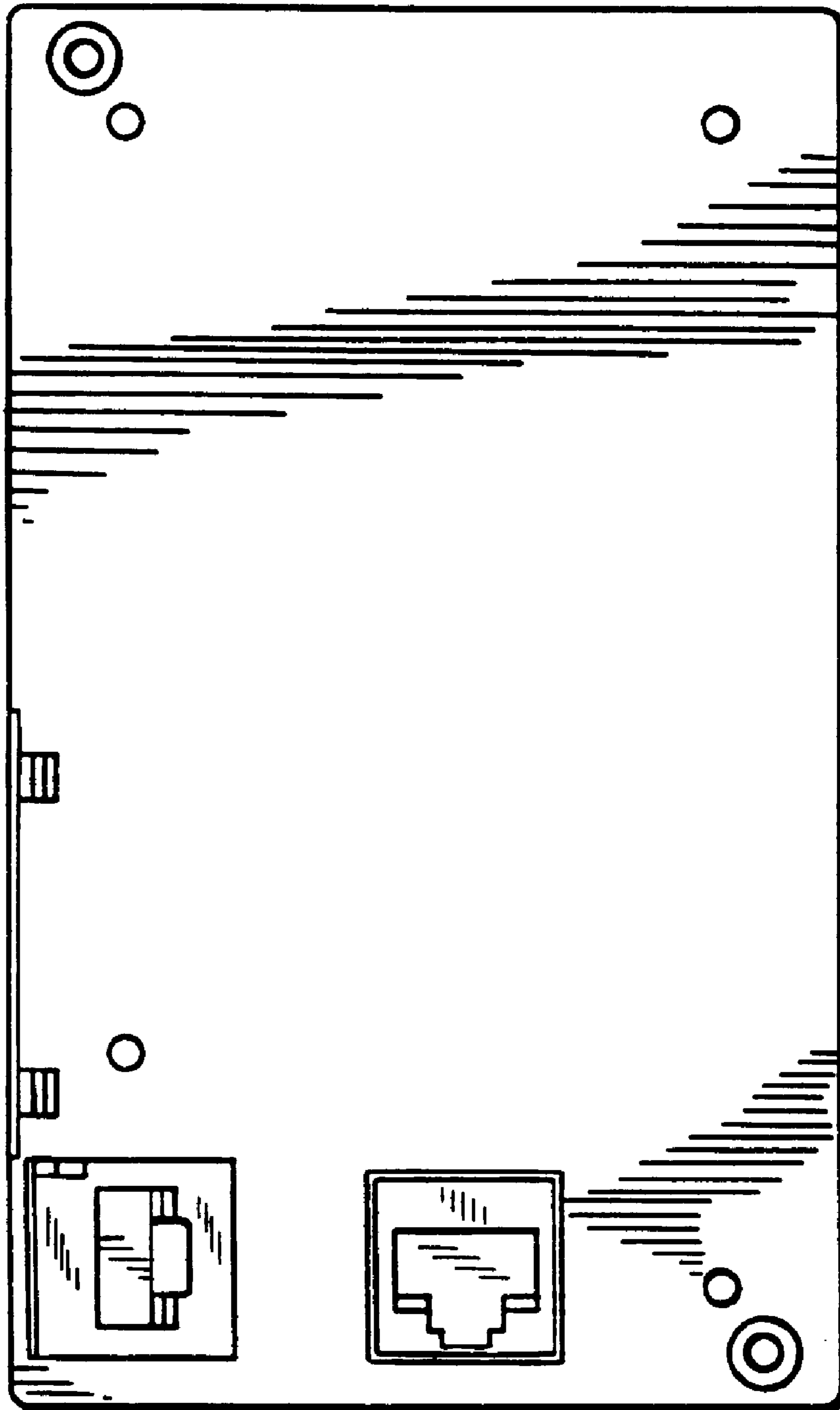


FIG. 6

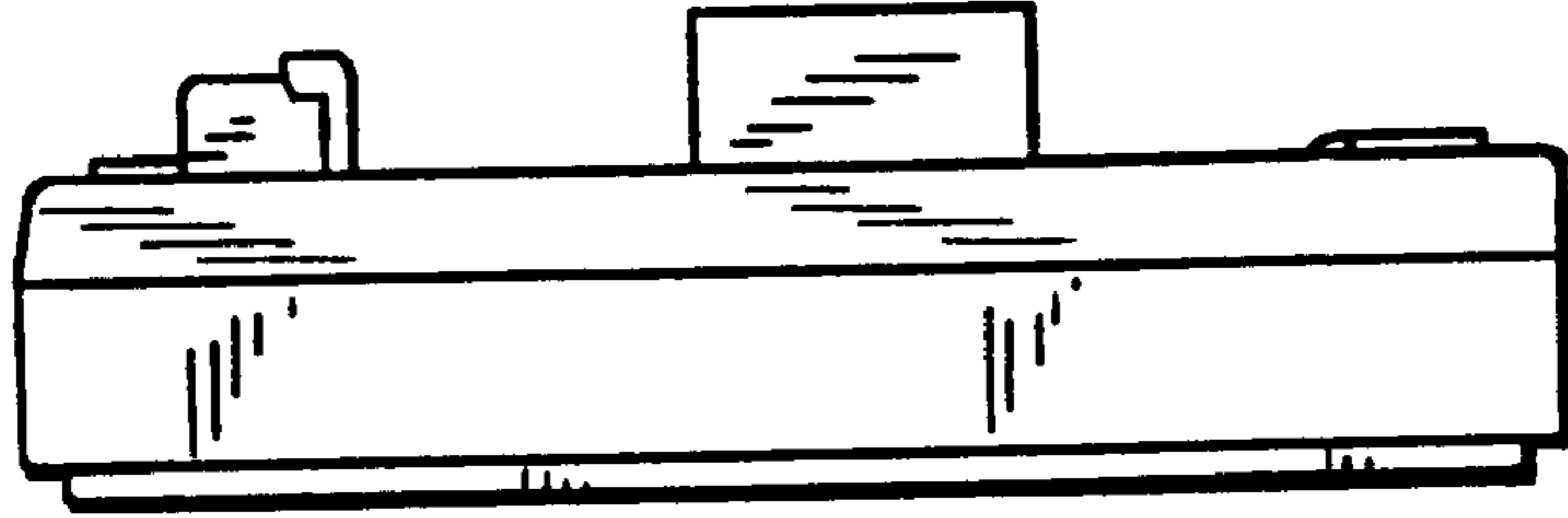


FIG. 7



FIG. 8

