



US00D449820B1

(12) **United States Design Patent**  
**Lee**

(10) **Patent No.:** **US D449,820 S**

(45) **Date of Patent:** **\*\* Oct. 30, 2001**

- (54) **CABLE END CONNECTOR**
- (75) Inventor: **George Lee**, Irvine, CA (US)
- (73) Assignee: **Hon Hai Precision Ind. Co., Ltd.**,  
Taipei Hsien (TW)
- (\*\*) Term: **14 Years**
- (21) Appl. No.: **29/138,883**
- (22) Filed: **Mar. 19, 2001**
- (51) **LOC (7) Cl.** ..... **13-03**
- (52) **U.S. Cl.** ..... **D13/147**
- (58) **Field of Search** ..... D13/146, 147;  
439/352, 353, 357, 358, 677-681

|           |   |         |                        |         |
|-----------|---|---------|------------------------|---------|
| 5,435,744 | * | 7/1995  | Derstine et al. ....   | 439/352 |
| 5,695,355 | * | 12/1997 | Hasenfratz et al. .... | 439/357 |
| 5,842,886 | * | 12/1998 | Illg et al. ....       | 439/607 |
| 5,885,088 | * | 3/1999  | Brennan et al. ....    | 439/680 |
| 5,934,942 | * | 8/1999  | Patel et al. ....      | 439/610 |
| 6,030,256 | * | 2/2000  | Cappe ....             | 439/598 |
| 6,116,937 | * | 9/2000  | Pan ....               | 439/352 |

\* cited by examiner

*Primary Examiner*—Joel Sincavage  
(74) *Attorney, Agent, or Firm*—Wei Te Chung

(57) **CLAIM**

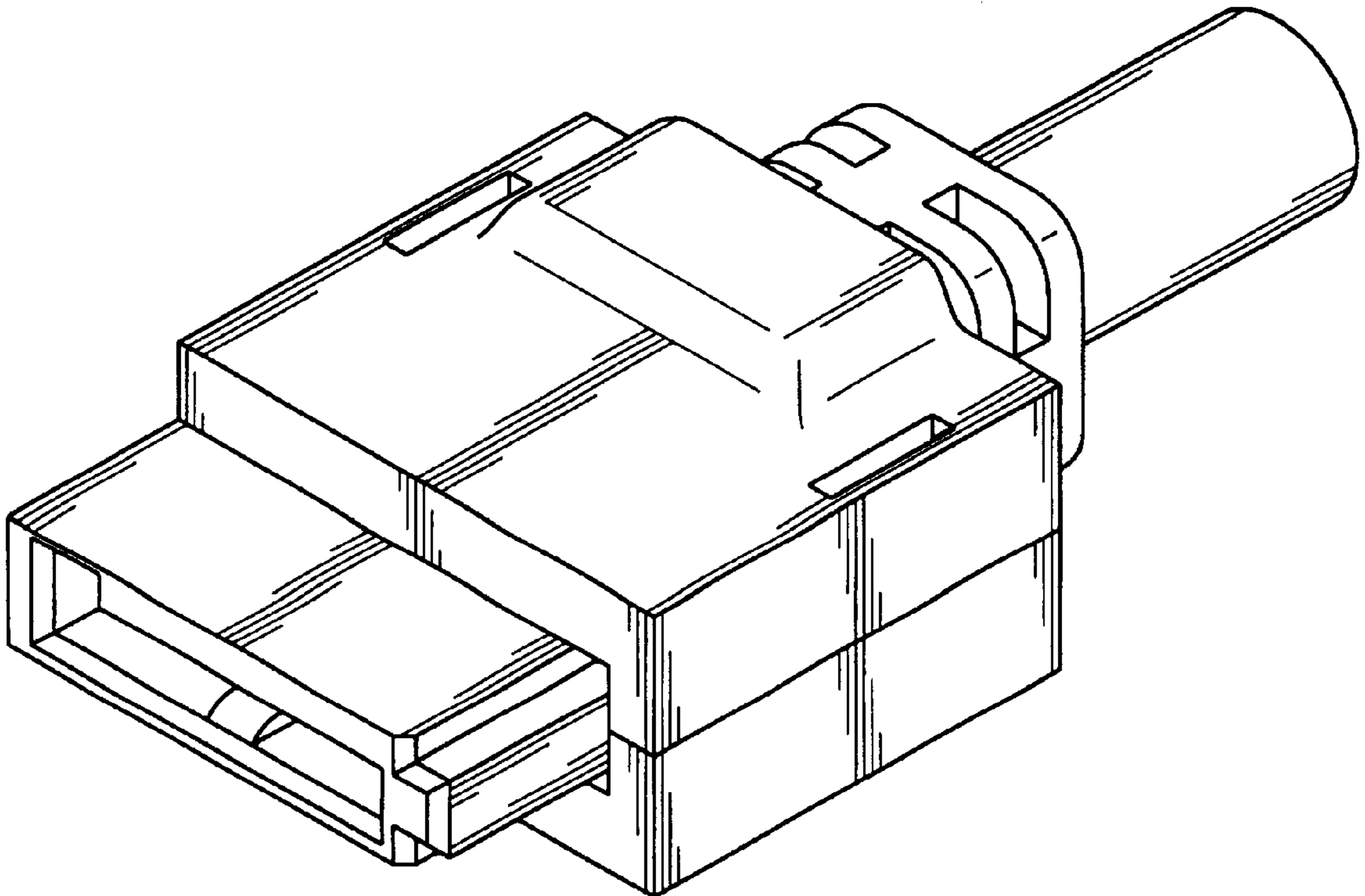
The ornamental design for a cable end connector, as shown.

**DESCRIPTION**

FIG. 1 is a front, top and right side perspective view of a cable end connector showing my new design;  
 FIG. 2 is a front elevational view thereof;  
 FIG. 3 is a rear elevational view thereof;  
 FIG. 4 is a left side elevational view thereof;  
 FIG. 5 is a right side elevational view thereof;  
 FIG. 6 is a top plan view thereof; and,  
 FIG. 7 is a bottom plan view thereof.

**1 Claim, 5 Drawing Sheets**

- (56) **References Cited**
- U.S. PATENT DOCUMENTS
- D. 385,255 \* 10/1997 Sato ..... D13/147
- D. 422,560 \* 4/2000 Lok ..... D13/147
- 4,913,667 \* 4/1990 Muz ..... 439/680 X
- 4,941,849 \* 7/1990 Fujiura ..... 439/357 X
- 5,044,975 \* 9/1991 DiBene, II et al. .... 439/352
- 5,167,523 \* 12/1992 Crimmins et al. .... 439/358 X
- 5,425,646 \* 6/1995 Green ..... 439/357 X



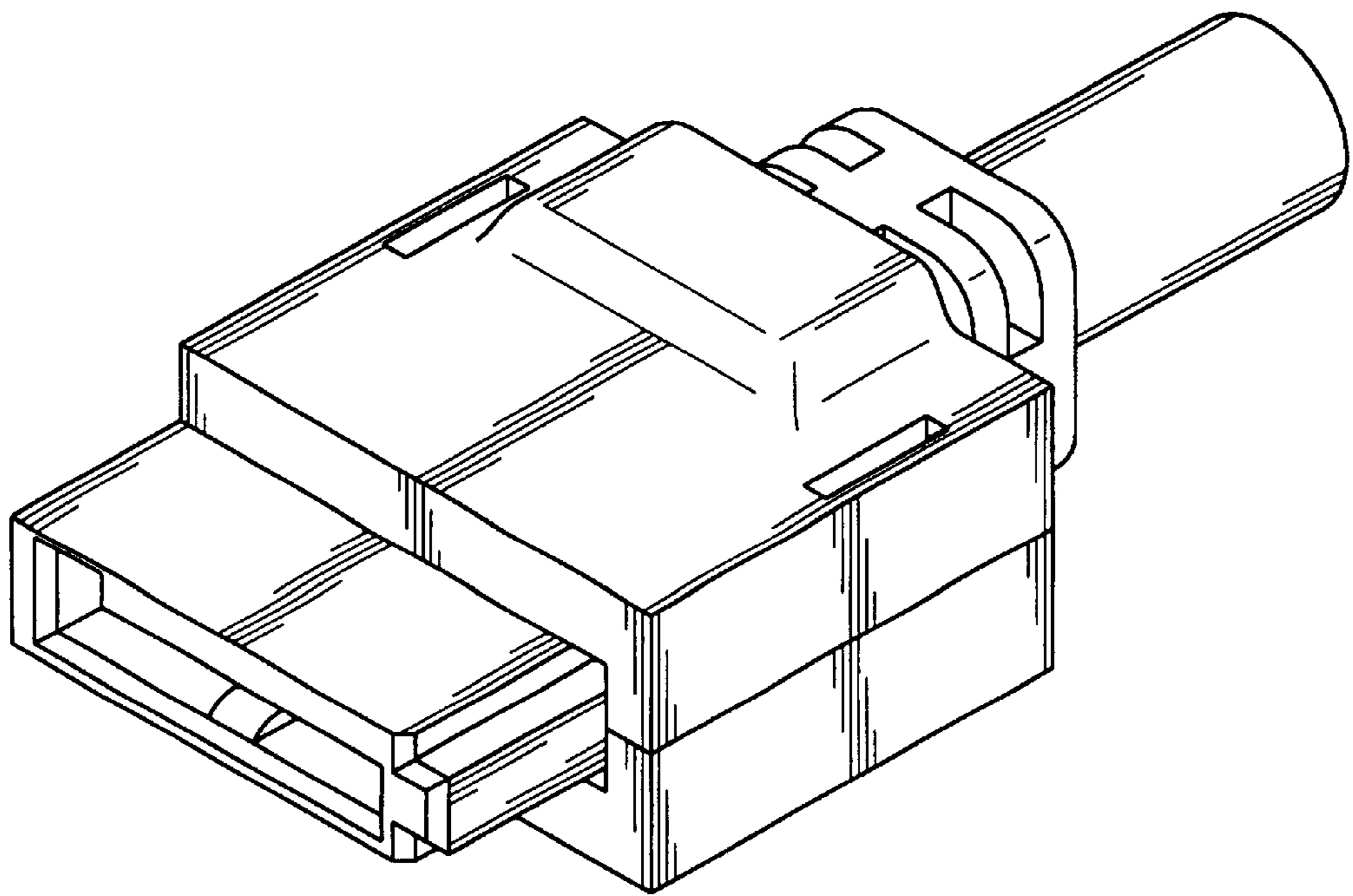


FIG. 1

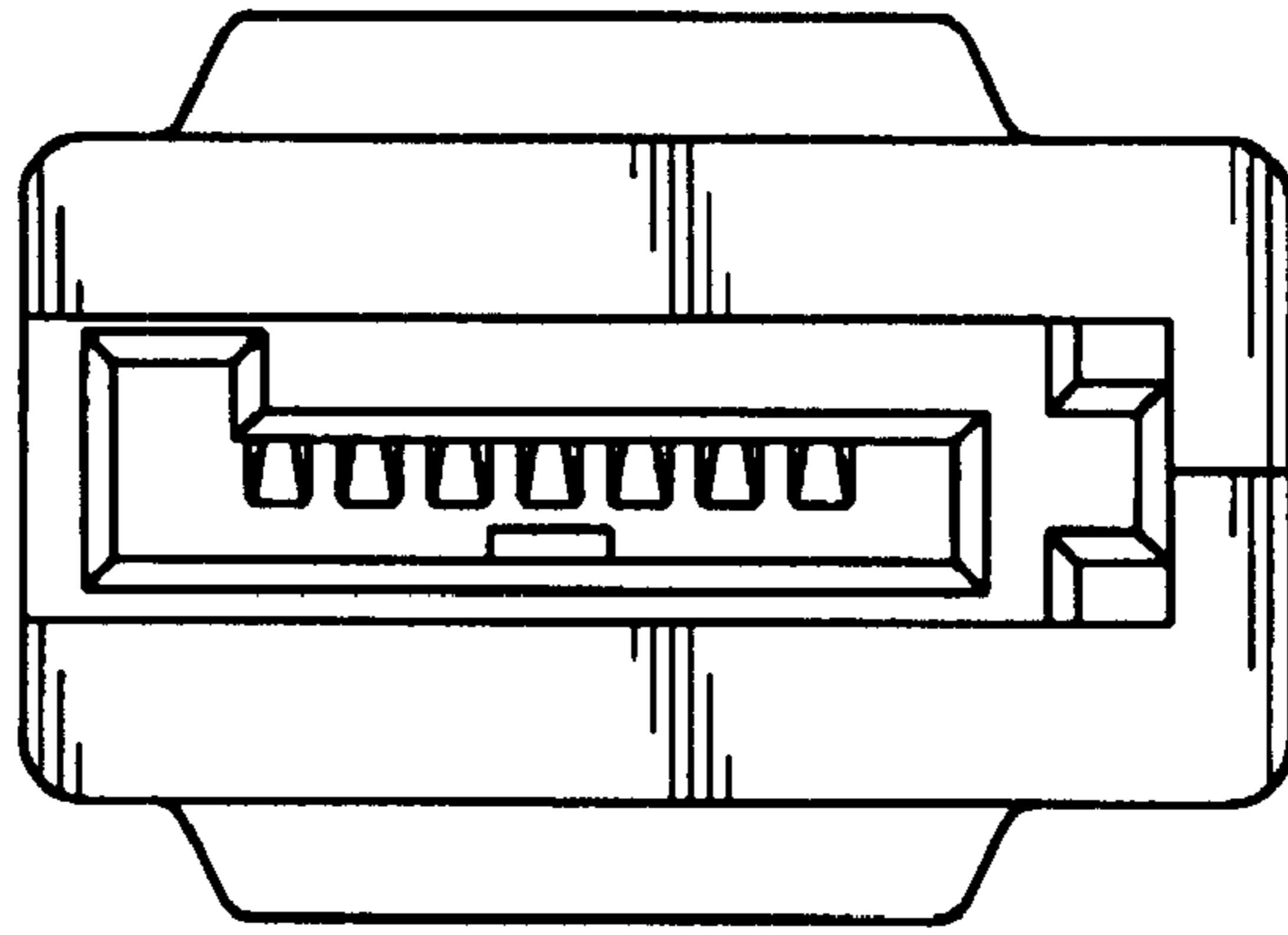


FIG. 2

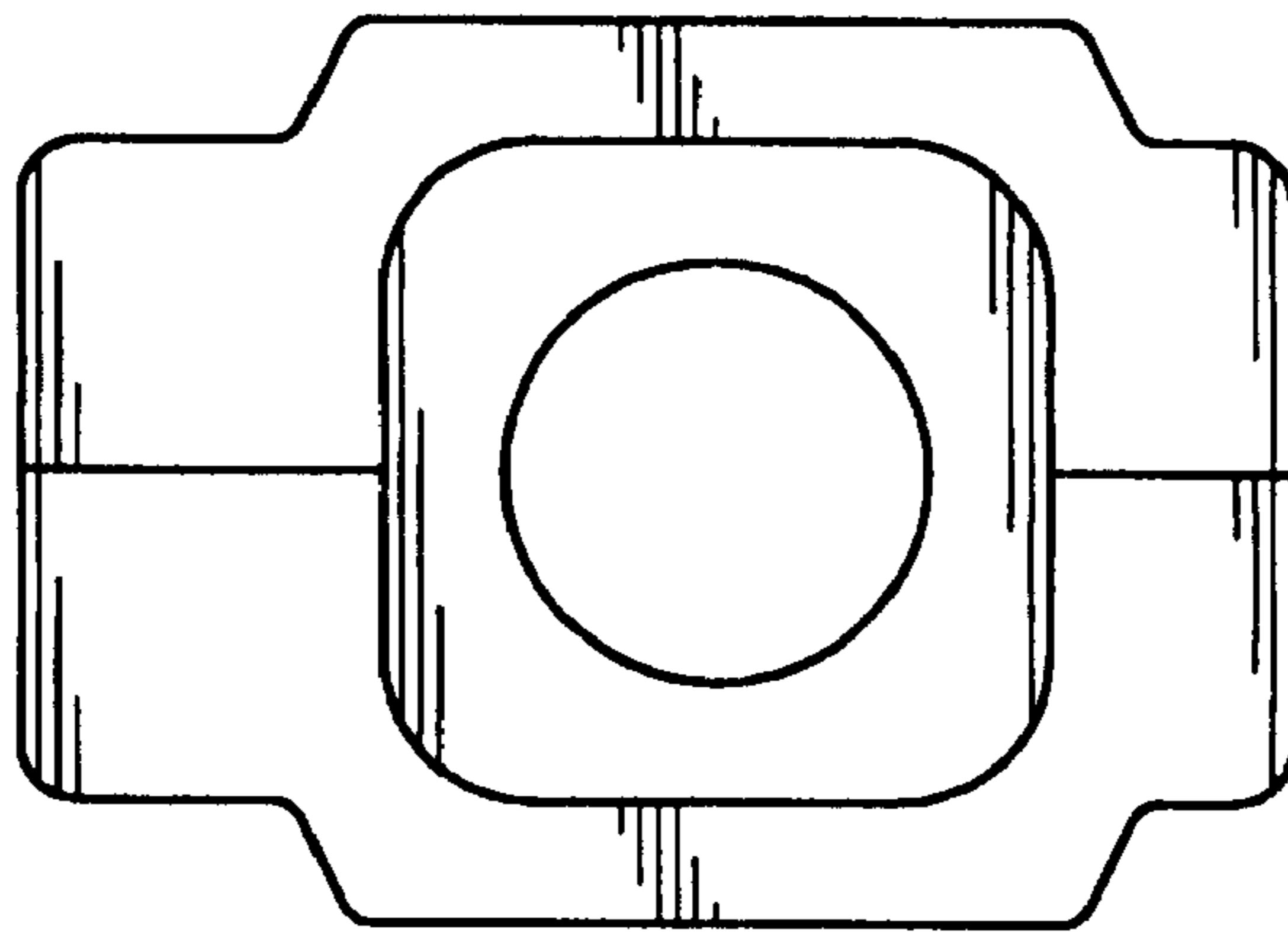


FIG. 3

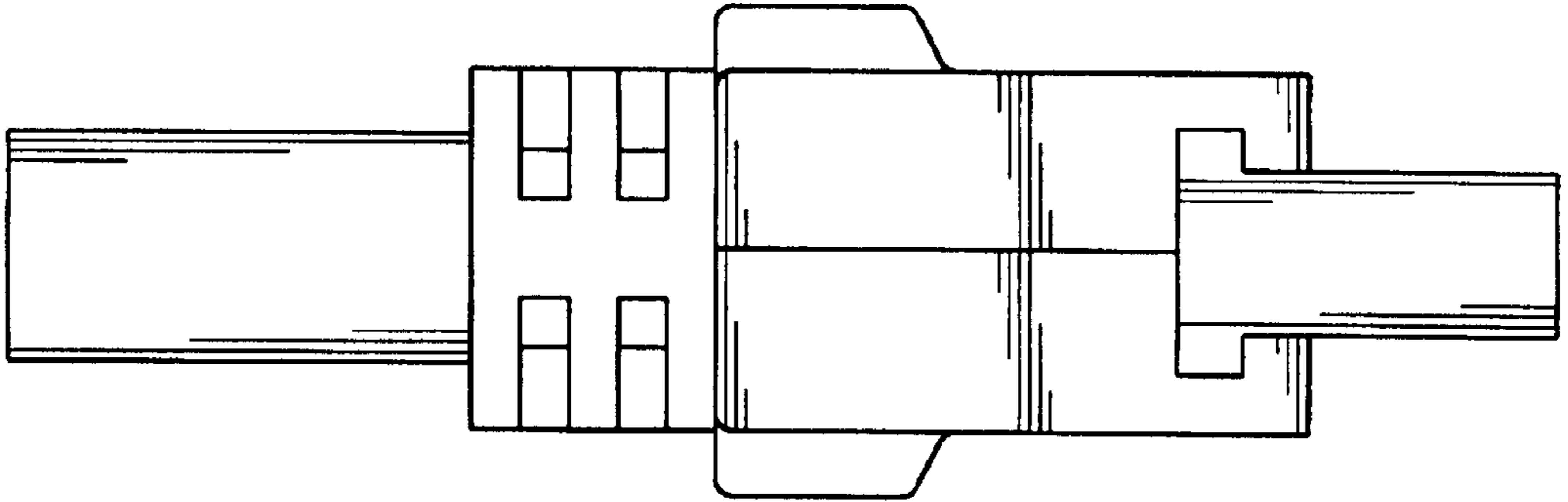


FIG. 4

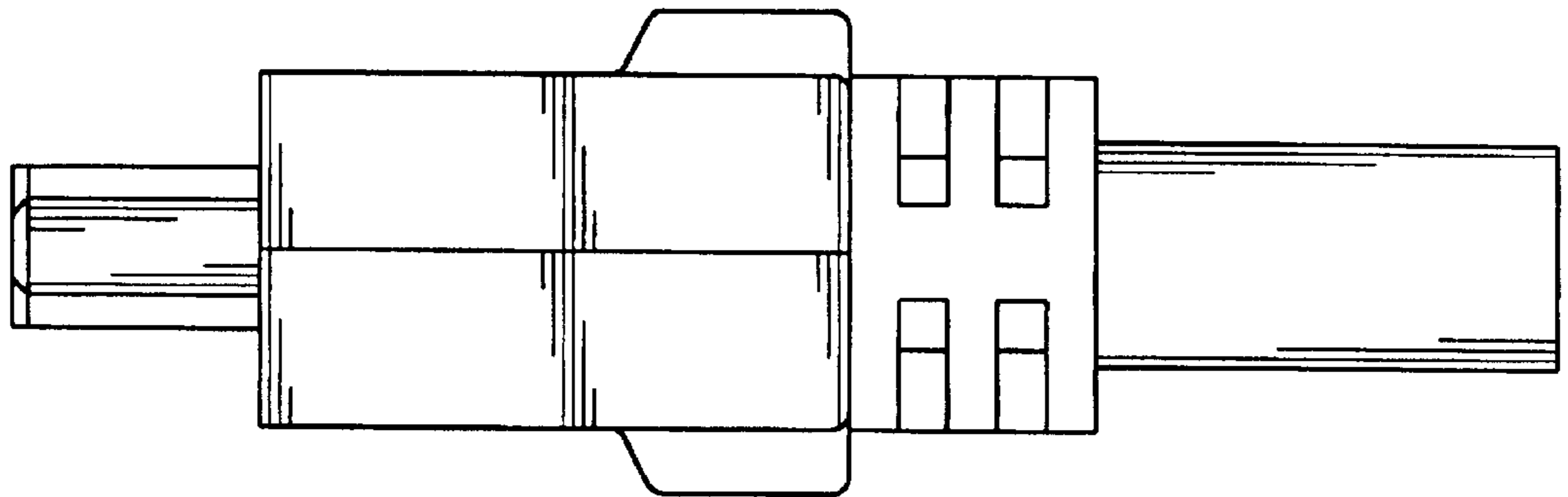


FIG. 5

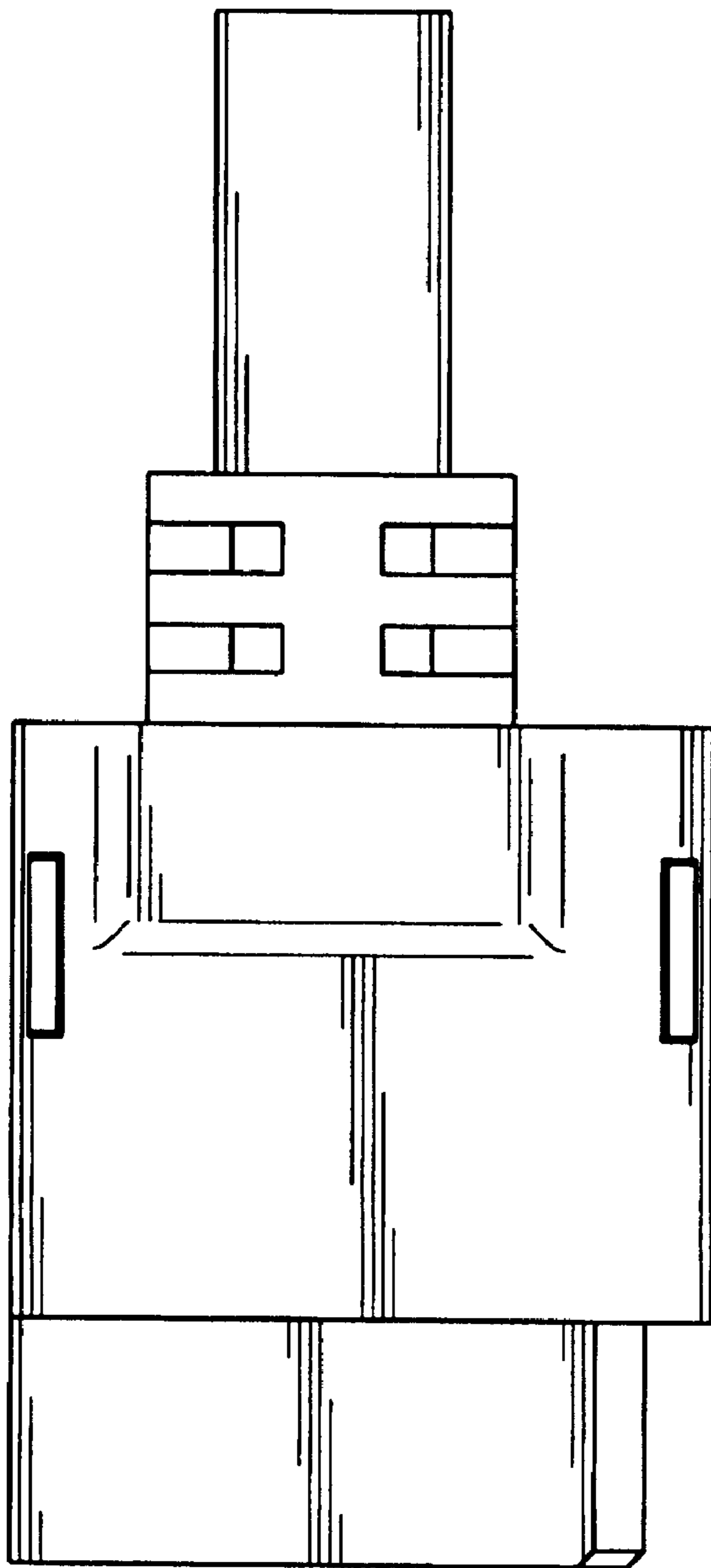


FIG. 6

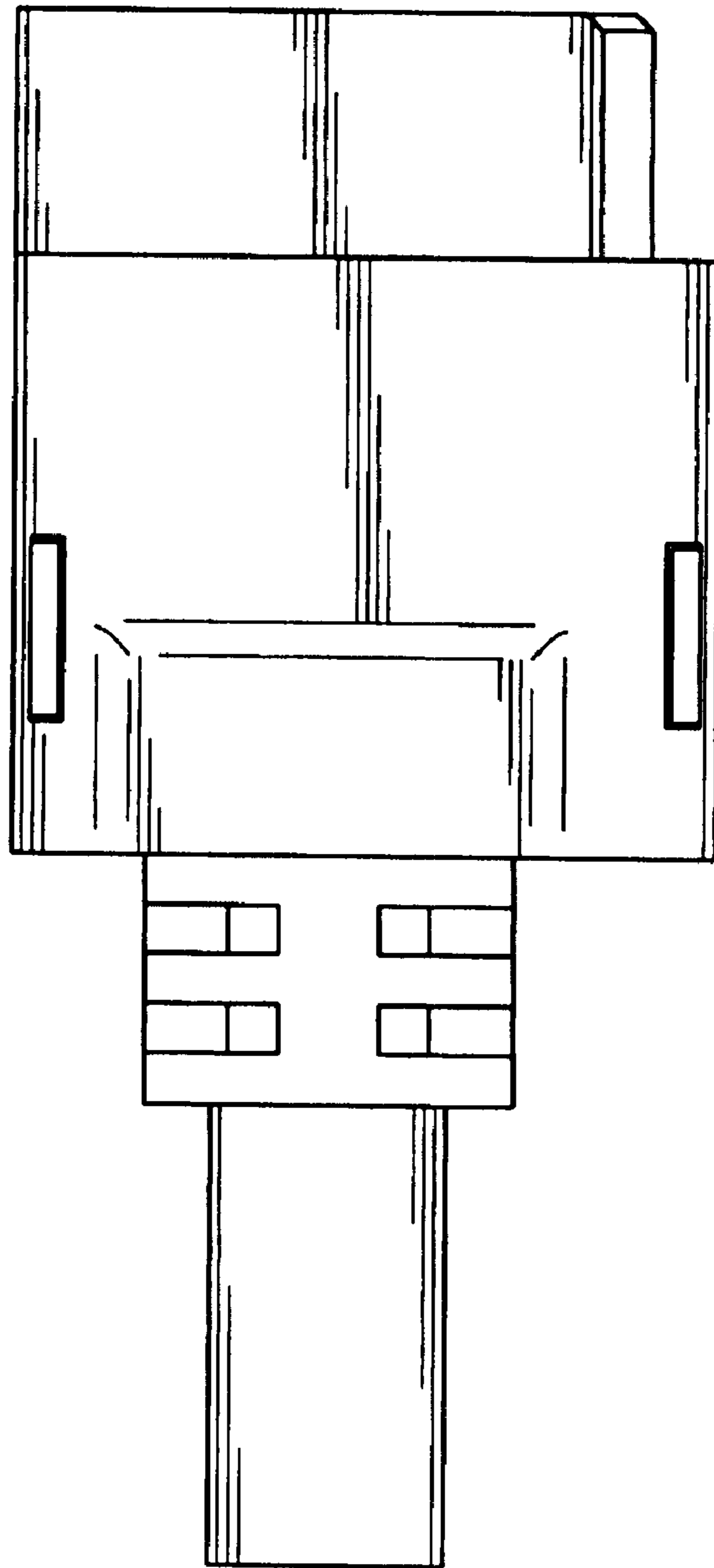


FIG. 7