



US00D449819B1

(12) **United States Design Patent**  
**Gershfeld**

(10) **Patent No.:** **US D449,819 S**

(45) **Date of Patent:** **\*\* Oct. 30, 2001**

(54) **SEMICIRCULAR INTERCONNECT ENCLOSURE FOR COMPUTER AND AUDIO VISUAL EQUIPMENT CONCEALABLE IN FURNITURE**

**DESCRIPTION**

(76) **Inventor:** **Jack Gershfeld**, 615 Del Rio Way, Fullerton, CA (US) 92835

(\*\*) **Term:** **14 Years**

(21) **Appl. No.:** **29/139,270**

(22) **Filed:** **Mar. 28, 2001**

(51) **LOC (7) Cl.** ..... **13-03**

(52) **U.S. Cl.** ..... **D13/139.4**

(58) **Field of Search** ..... D13/139.4, 139.6-139.8; 439/131, 135, 638, 650-654, 142; 174/48, 49, 53, 58

(56) **References Cited**

**U.S. PATENT DOCUMENTS**

- D. 353,363 \* 12/1994 Toby ..... D13/139.4
- D. 412,697 \* 8/1999 Byrne ..... D13/139.4
- D. 420,327 \* 2/2000 Bryne ..... D13/139.4
- 5,122,069 \* 6/1992 Brownlie et al. .... 439/131

\* cited by examiner

*Primary Examiner*—Jennifer Rivard  
(74) *Attorney, Agent, or Firm*—Vladimir Khiterer

(57) **CLAIM**

The ornamental design for a semicircular interconnect enclosure for computer and audio visual equipment concealable in furniture, as shown and described.

FIG. 1 is a perspective view of a semicircular interconnect enclosure for computer and audio visual equipment concealable in furniture in the open position. The broken lines are to illustrate an environment only and form no part of the claimed design.

FIG. 2 is a perspective view thereof in the concealed position. The broken lines are to illustrate an environment only and form no part of the claimed design.

FIG. 3 is a front elevational view thereof in the open position. The broken lines are to illustrate an environment only and form no part of the claimed design.

FIG. 4 is a front elevational view thereof in the concealed position. The broken lines are to illustrate an environment only and form no part of the claimed design.

FIG. 5 is a back elevational view thereof in the open position. The broken lines are to illustrate an environment only and form no part of the claimed design.

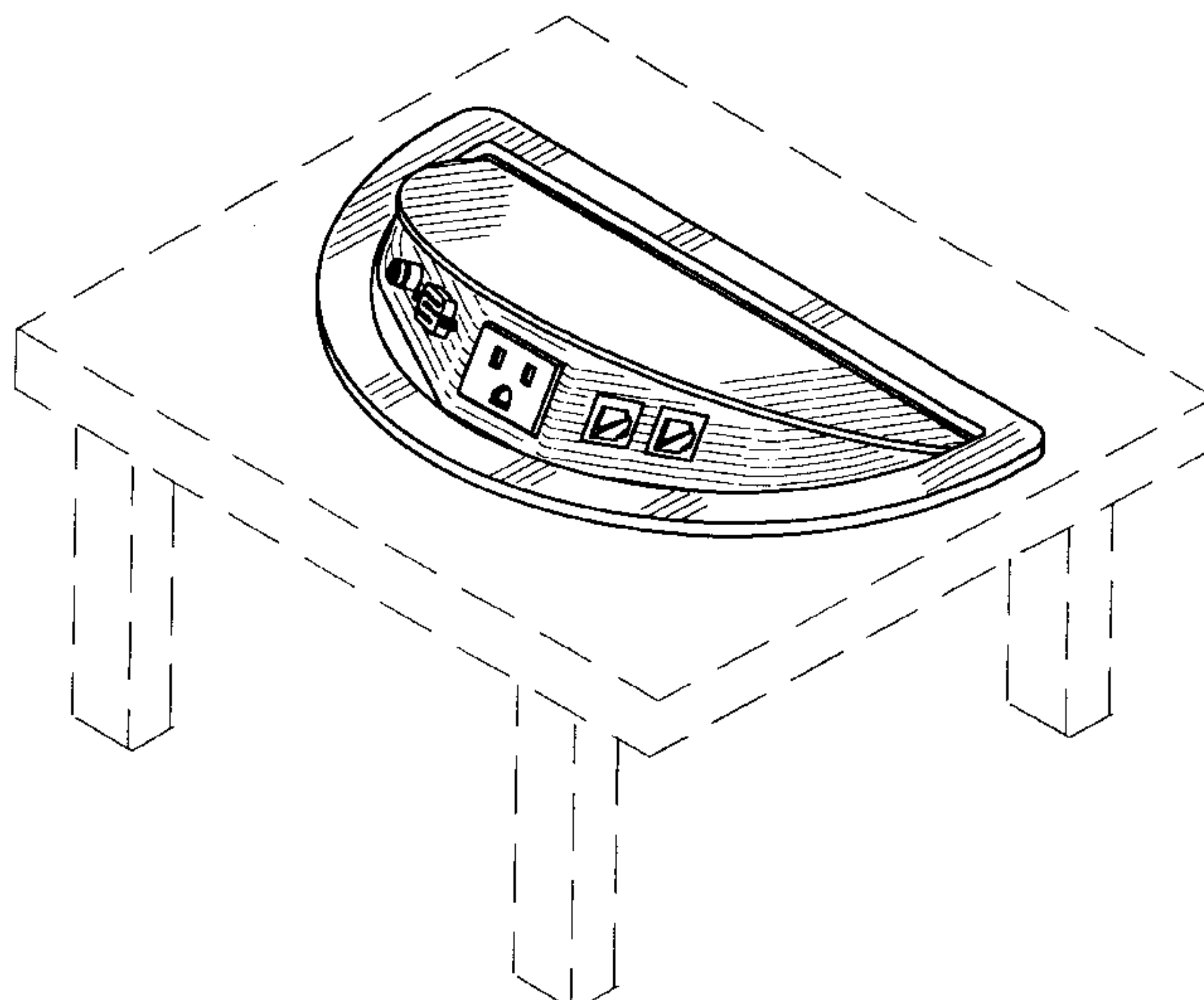
FIG. 6 is a left side elevational view thereof in the open position. The broken lines are to illustrate an environment only and form no part of the claimed design.

FIG. 7 is a right side elevational view thereof in the open position. The broken lines are to illustrate a environment only and form no part of the claimed design; and,

FIG. 8 is a top plan view thereof in the concealed position.

The appearance of the bottom forms no part of the claimed design.

**1 Claim, 8 Drawing Sheets**



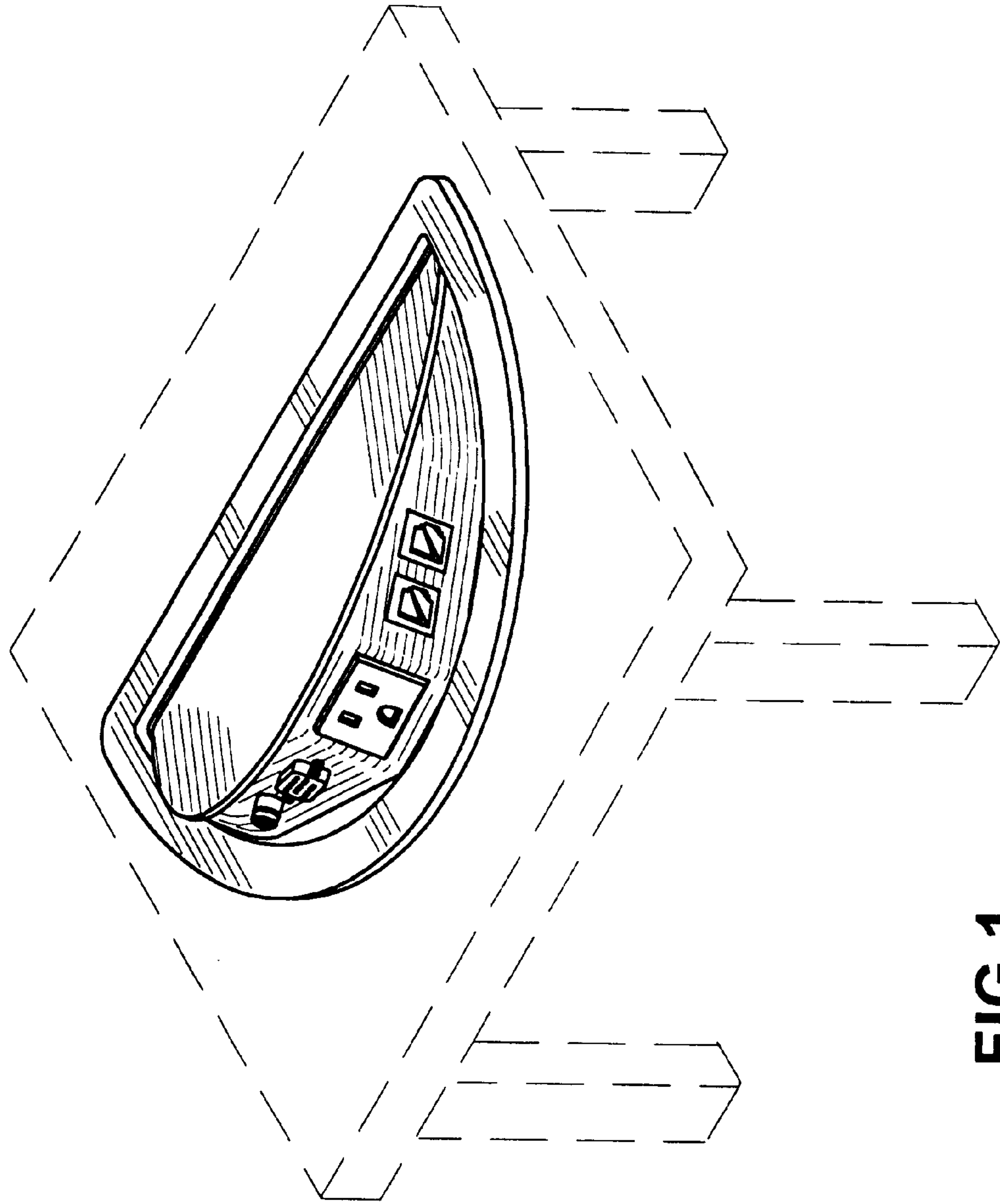
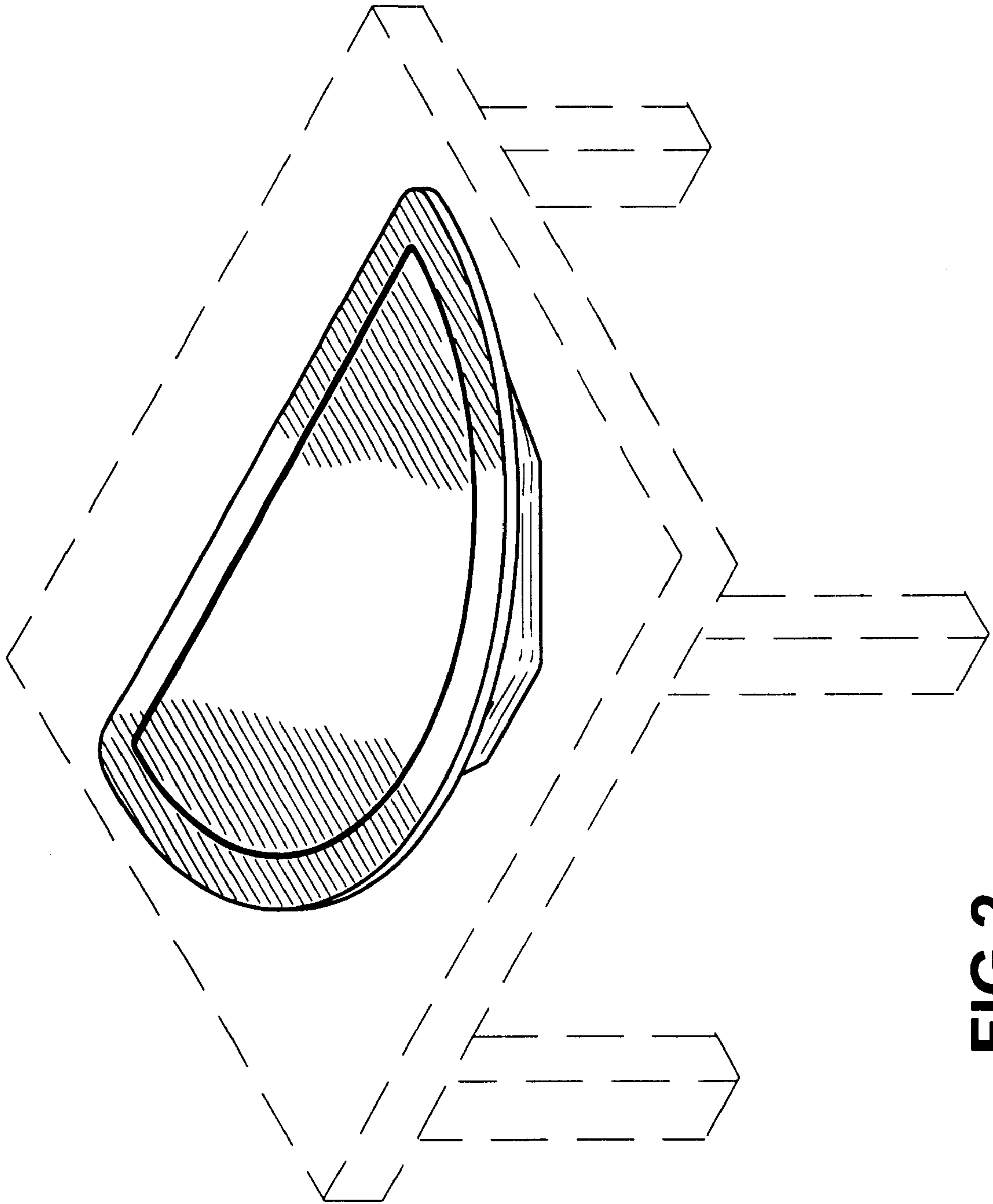


FIG.1



**FIG.2**

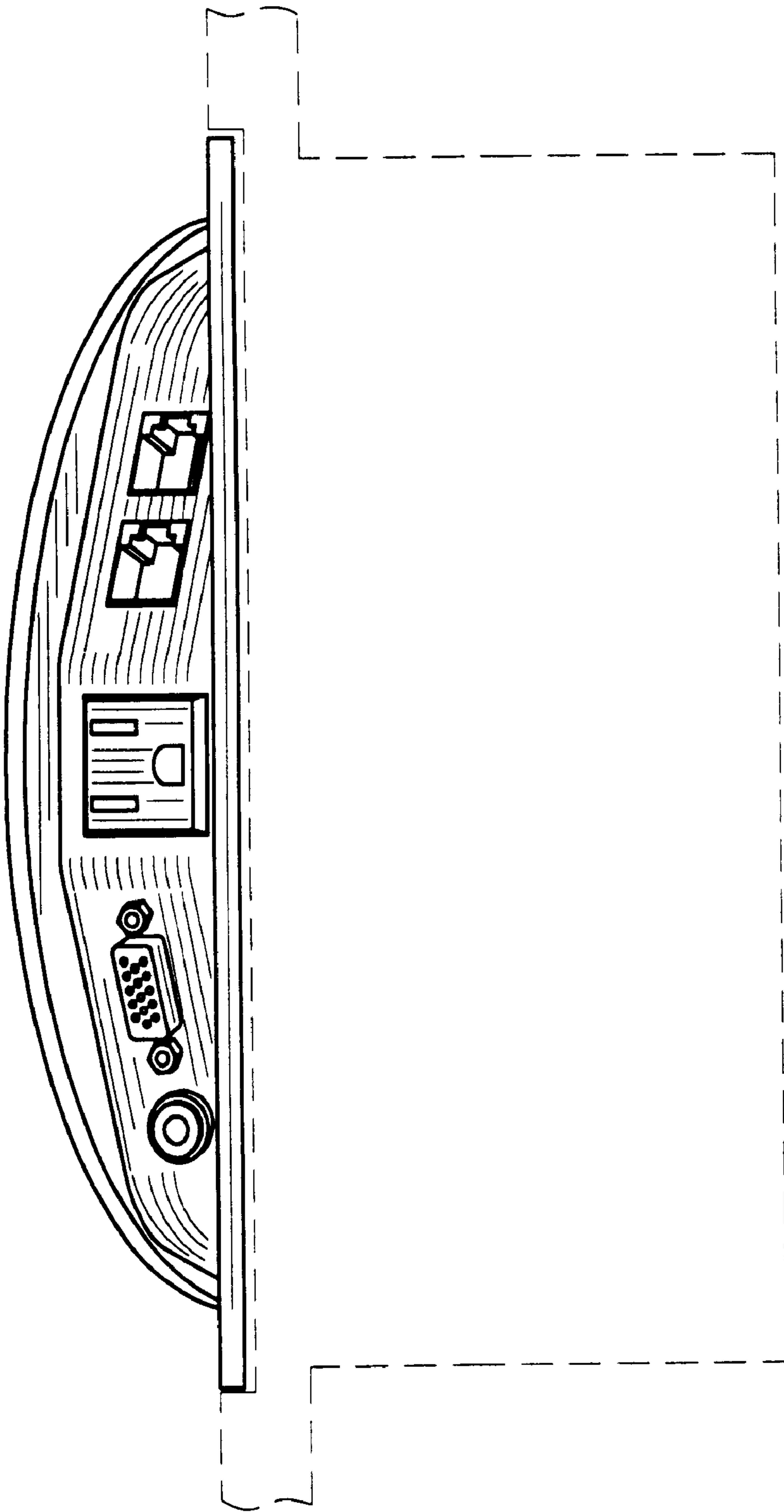


FIG.3

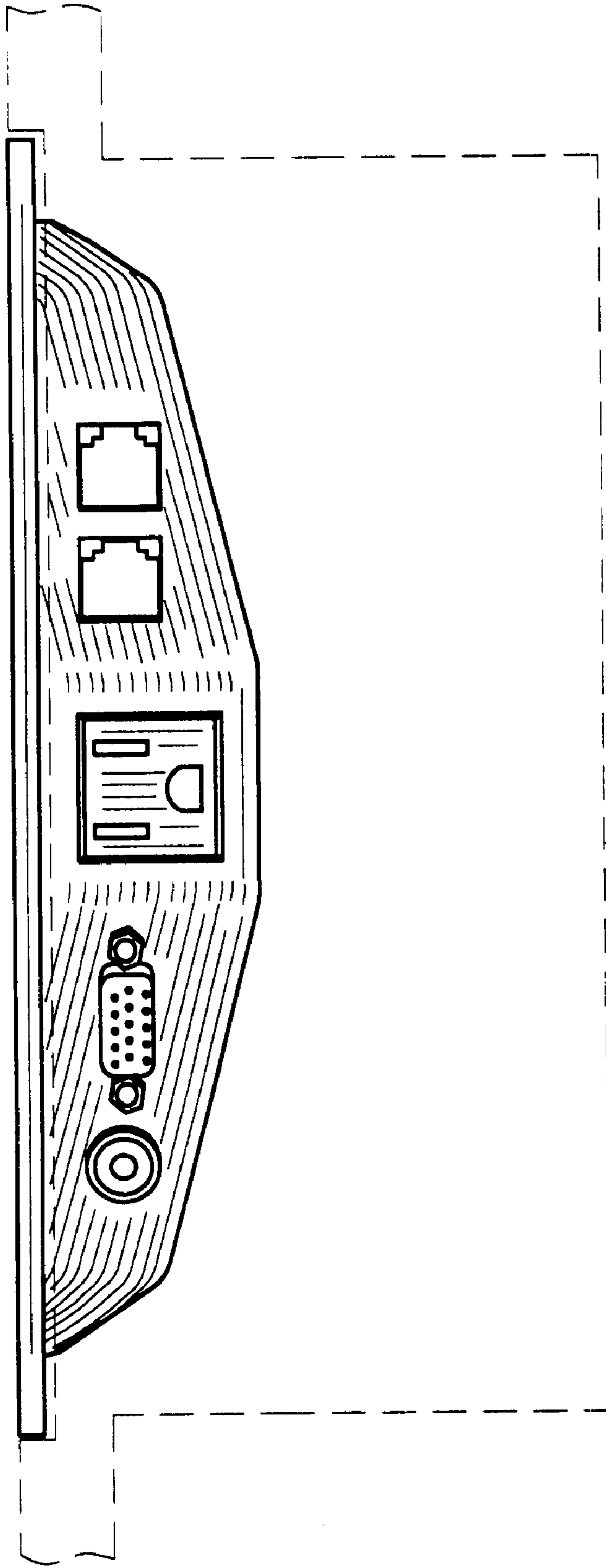
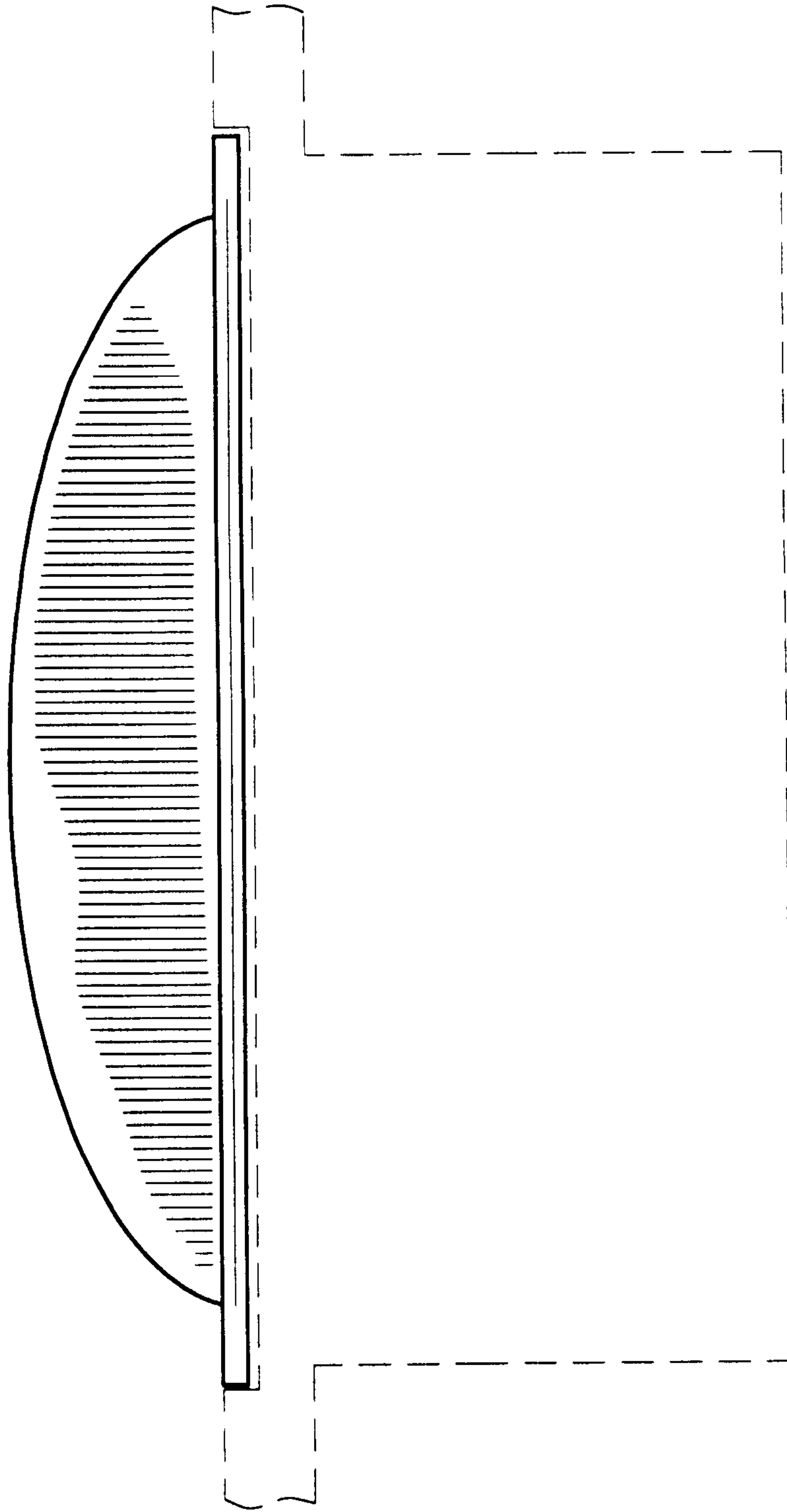
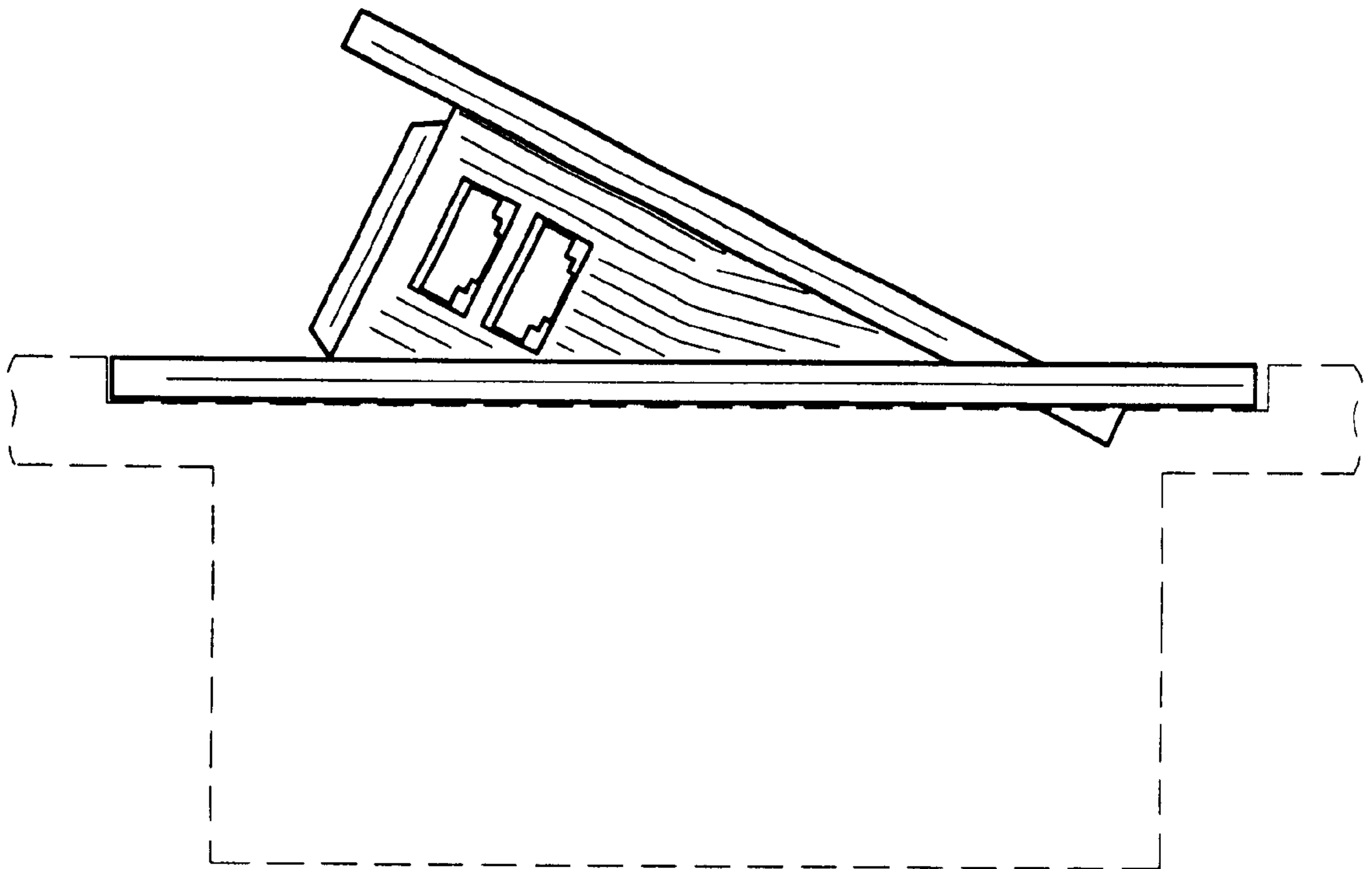


FIG.4



**FIG.5**





**FIG.6**

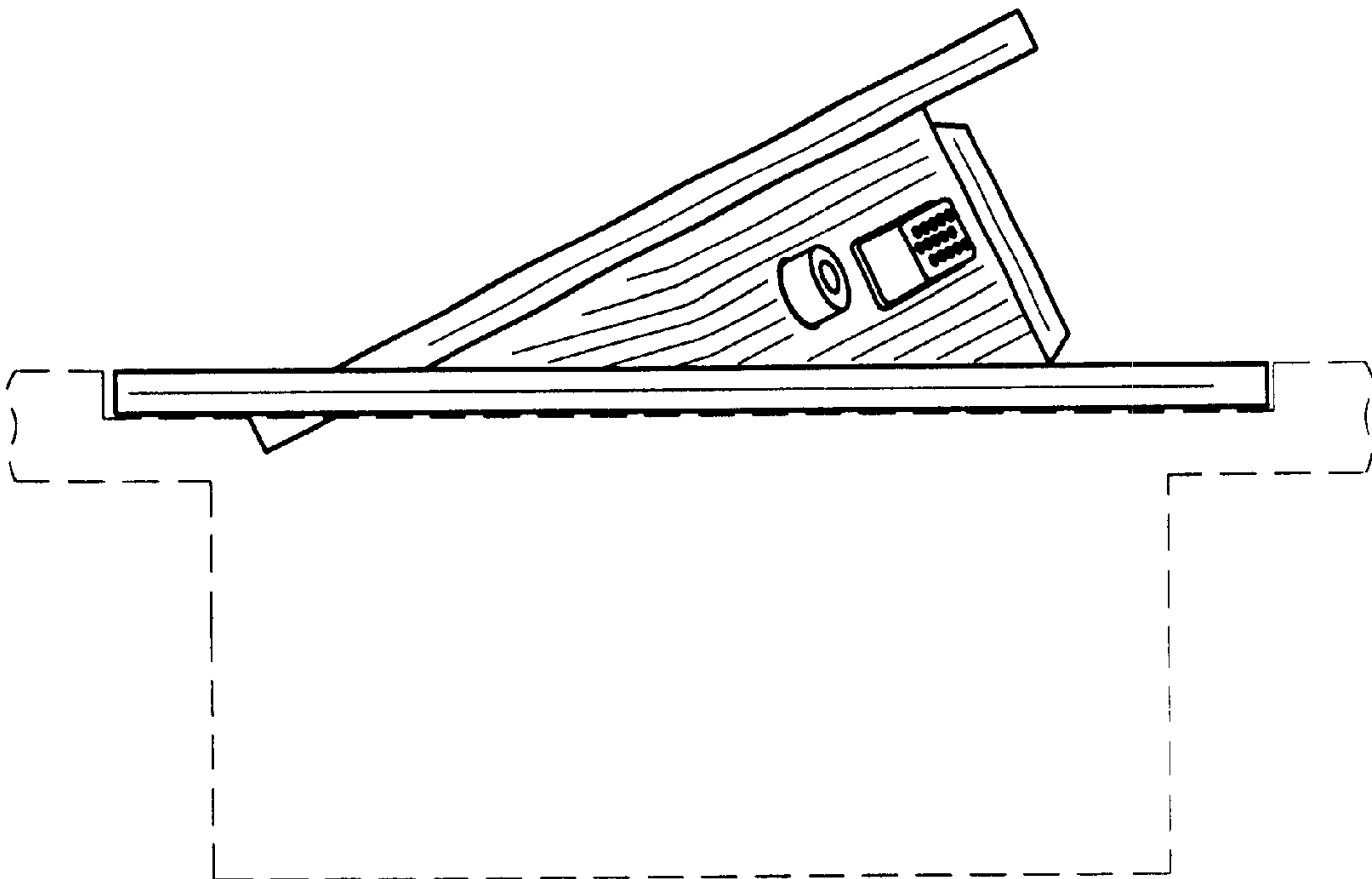
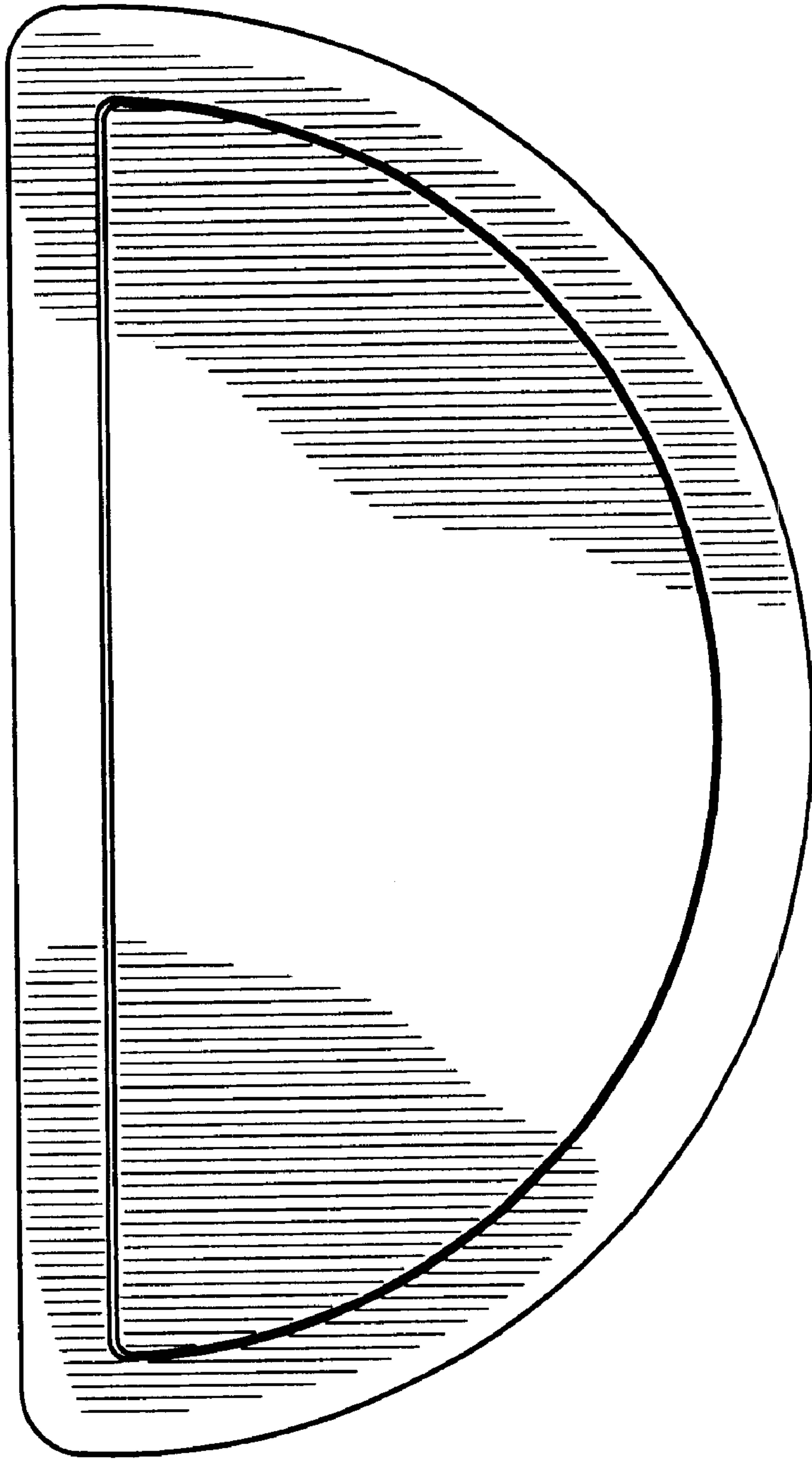


FIG.7





**FIG. 8**