



US00D449814B1

(12) **United States Design Patent**
Guertin

(10) **Patent No.:** **US D449,814 S**

(45) **Date of Patent:** **** Oct. 30, 2001**

(54) **CUP HOLDER FOR HANDLE BARS**

(74) *Attorney, Agent, or Firm*—Rider, Bennett, Egan & Arundel

(76) **Inventor:** **Jeffery W. Guertin**, 824 Como Ave.,
St. Paul, MN (US) 55117

(57) **CLAIM**

(**) **Term:** **14 Years**

The ornamental design for a cup holder for handle bars, as shown and described.

(21) **Appl. No.:** **29/127,440**

DESCRIPTION

(22) **Filed:** **Aug. 4, 2000**

FIG. 1 is a top plan view showing my new design for a cup holder for handle bars;

(51) **LOC (7) Cl.** **12-16**

FIG. 2 is a right side elevational view;

(52) **U.S. Cl.** **D12/411**

FIG. 3 is a bottom plan view;

(58) **Field of Search** **D12/114, 411;**

FIG. 4 is a front elevational view;

D7/619, 620; 297/188.14, 188.18; 248/312.1,

FIG. 5 is a rear elevational view; and

313, 311.2; 280/288.4

FIG. 6 is a left side elevational view; and,

(56) **References Cited**

FIG. 7 is a perspective view showing the holder with a cup mounted on a handle bar.

U.S. PATENT DOCUMENTS

D. 377,886 * 2/1997 Colton D7/620

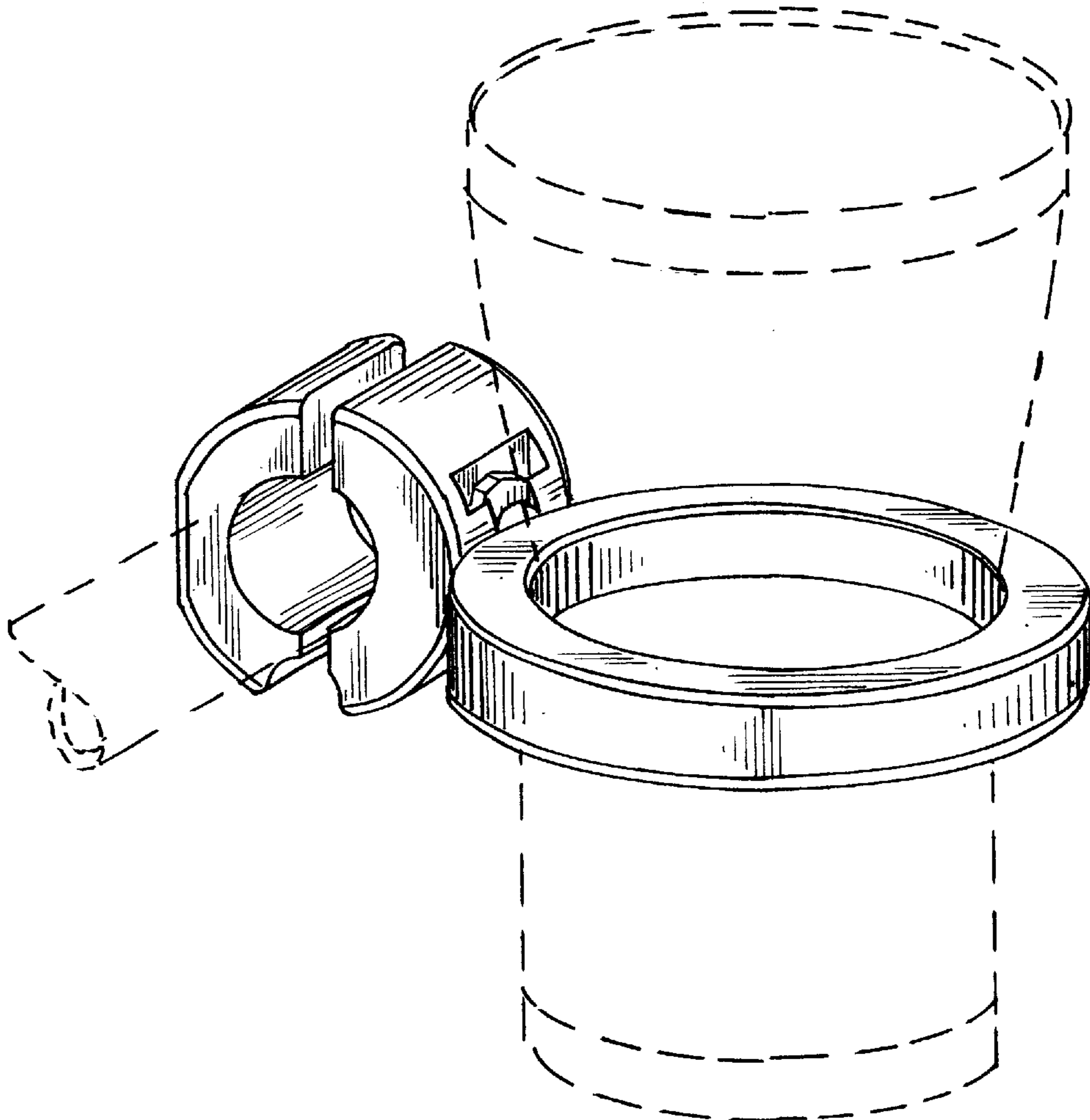
The broken line drawings of the handle bar and cup are for illustrative purposes only and form no part of the claimed design.

* cited by examiner

Primary Examiner—Alan P. Douglas

1 Claim, 3 Drawing Sheets

Assistant Examiner—Linda Brooks



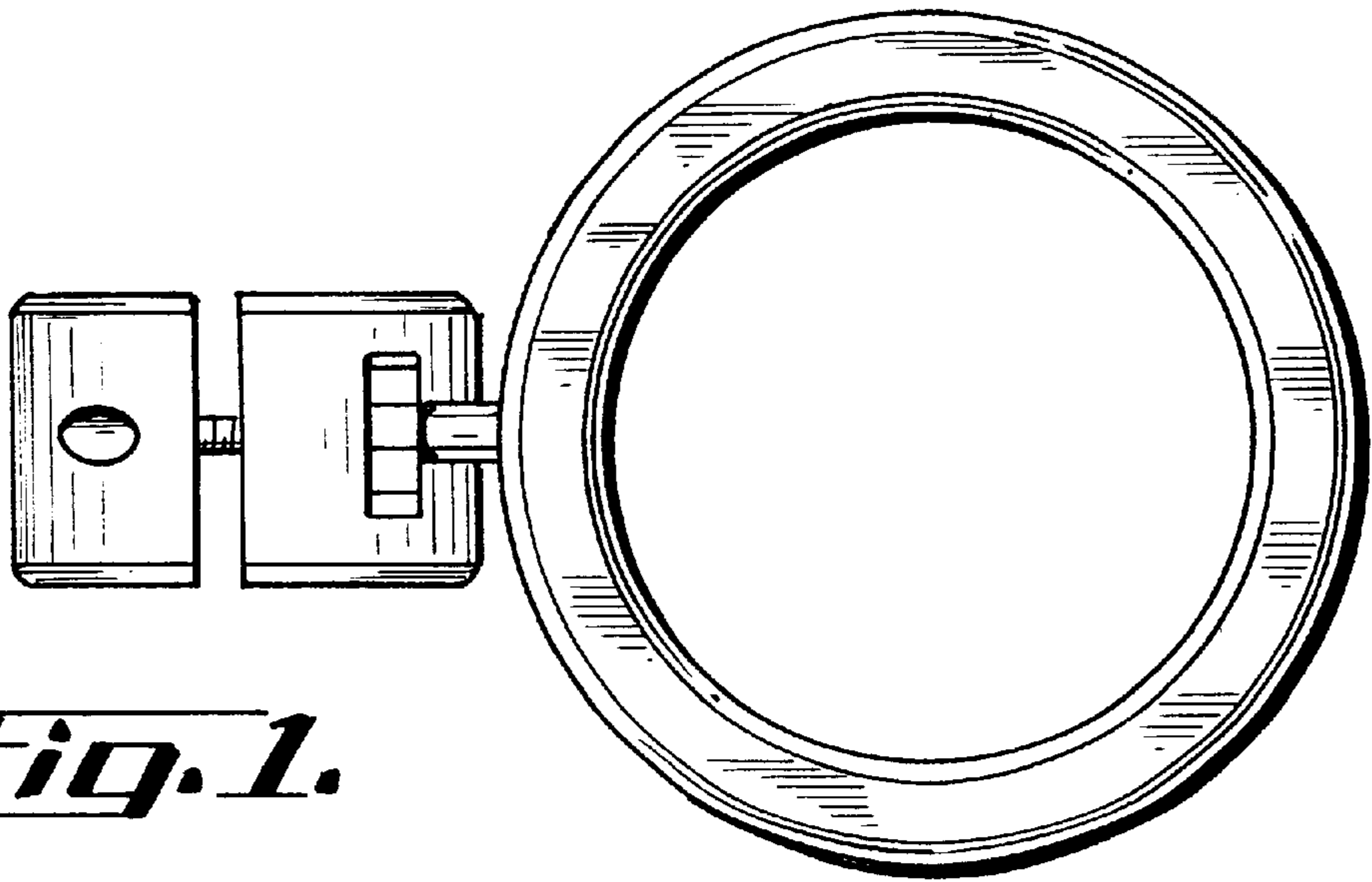


Fig. 1.

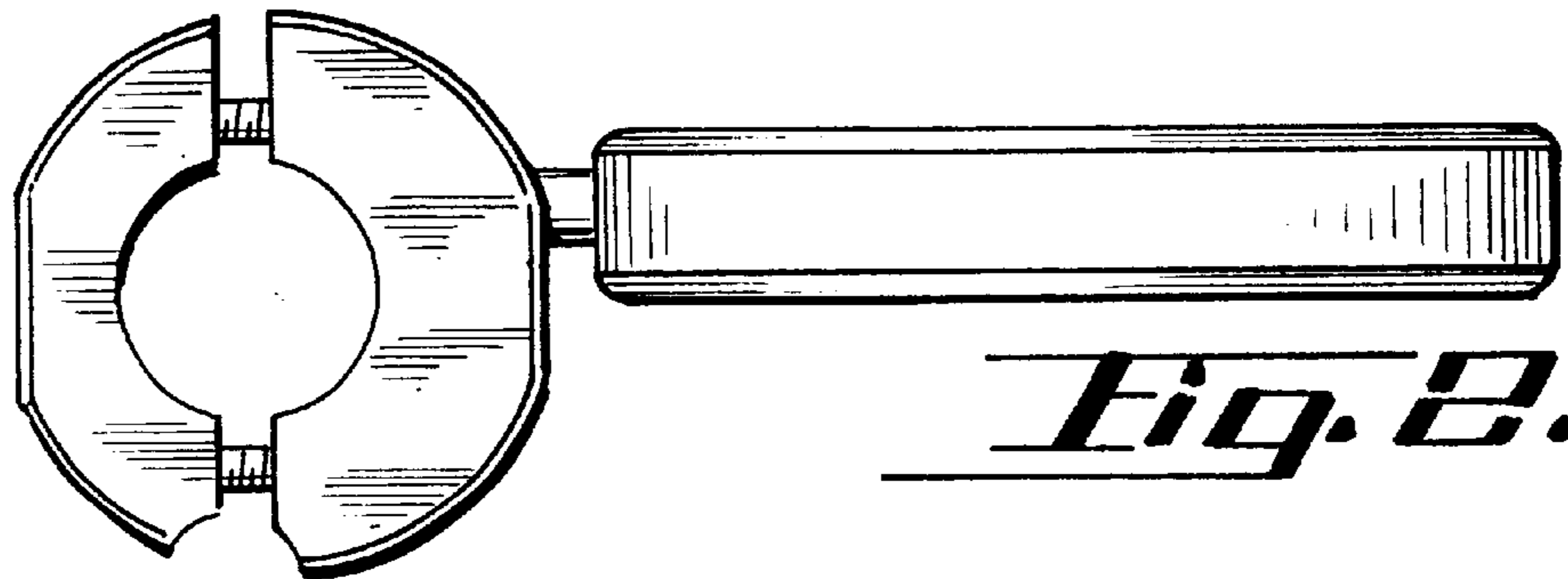


Fig. 2.

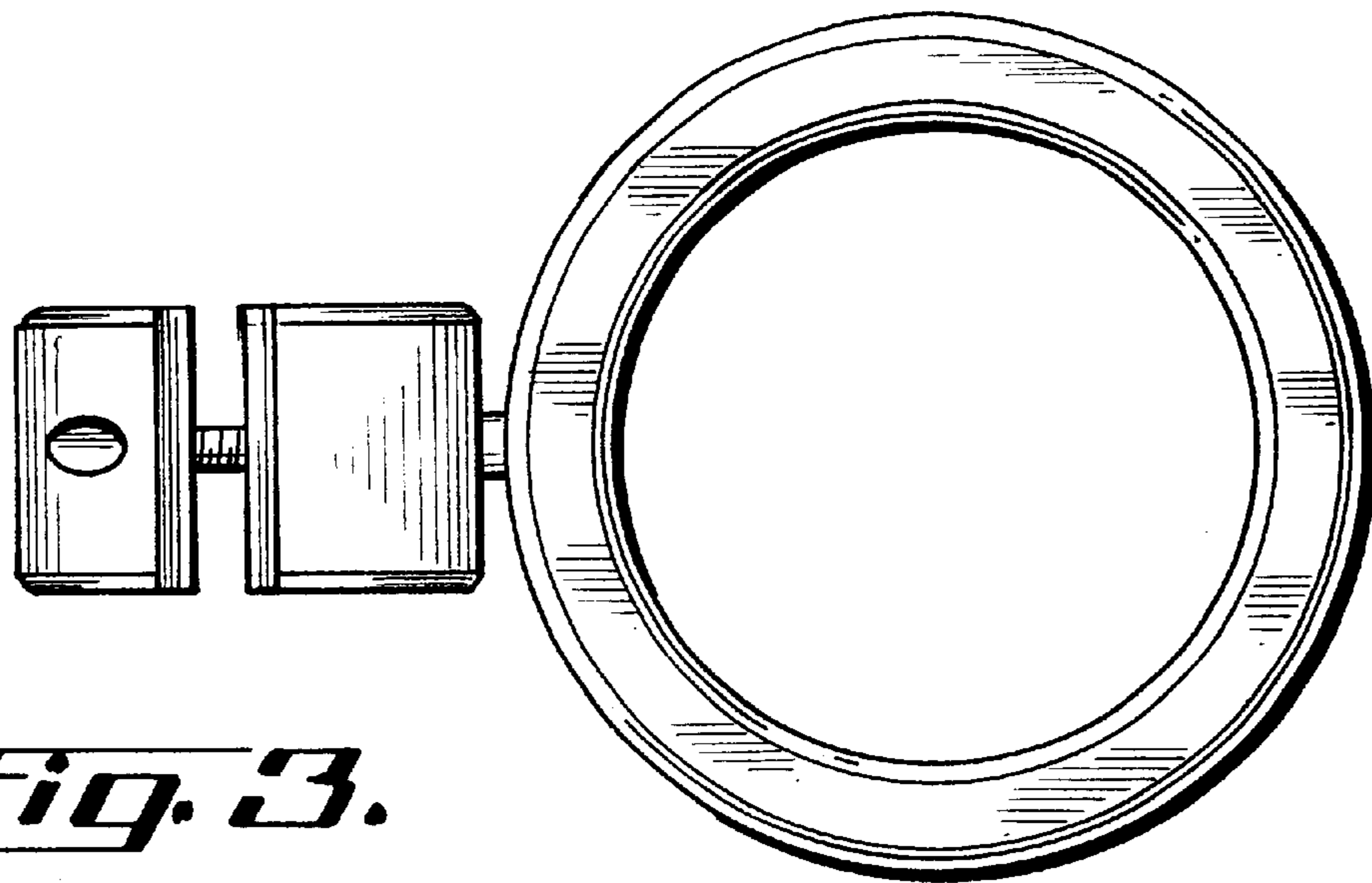


Fig. 3.

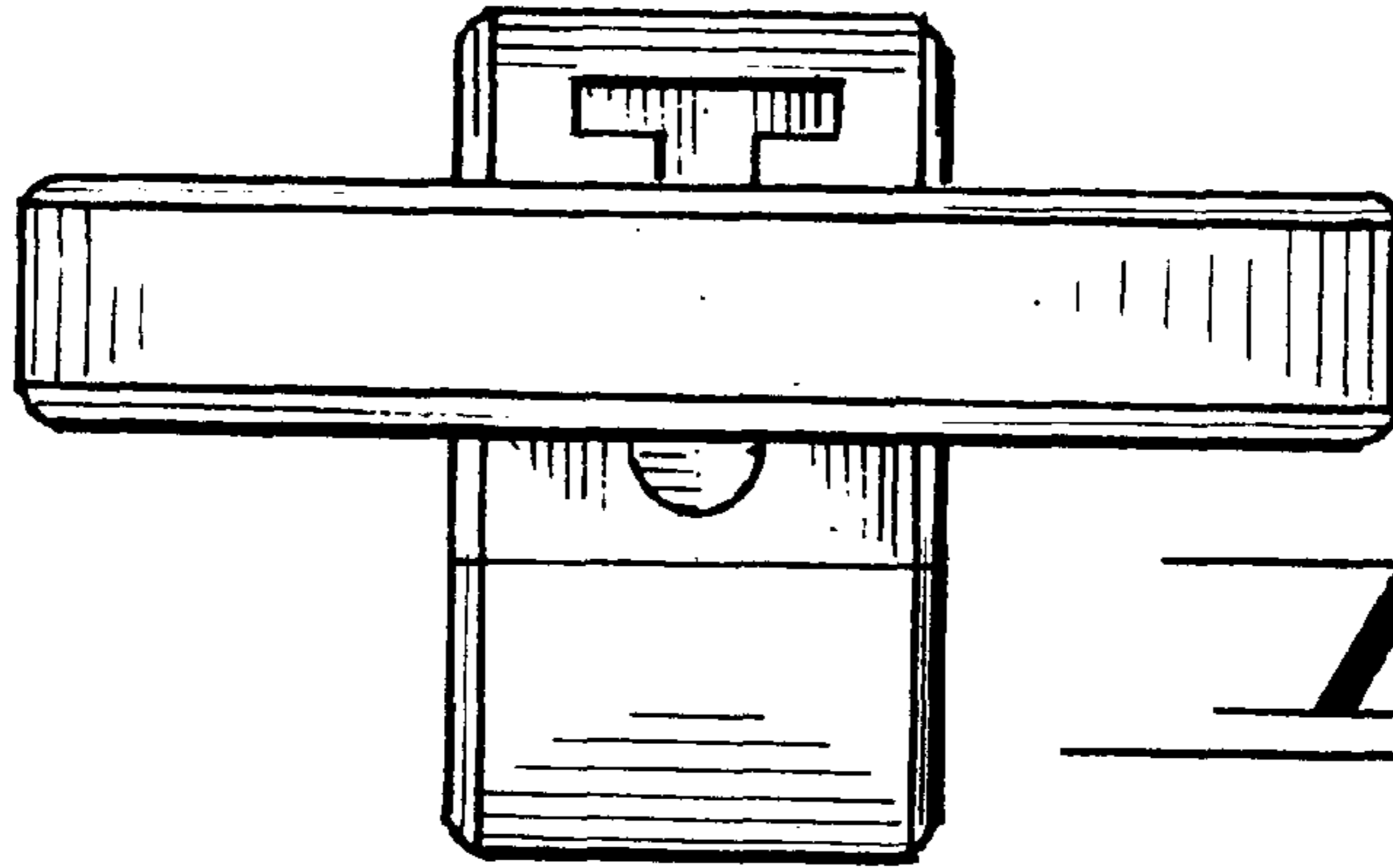


Fig. 4.

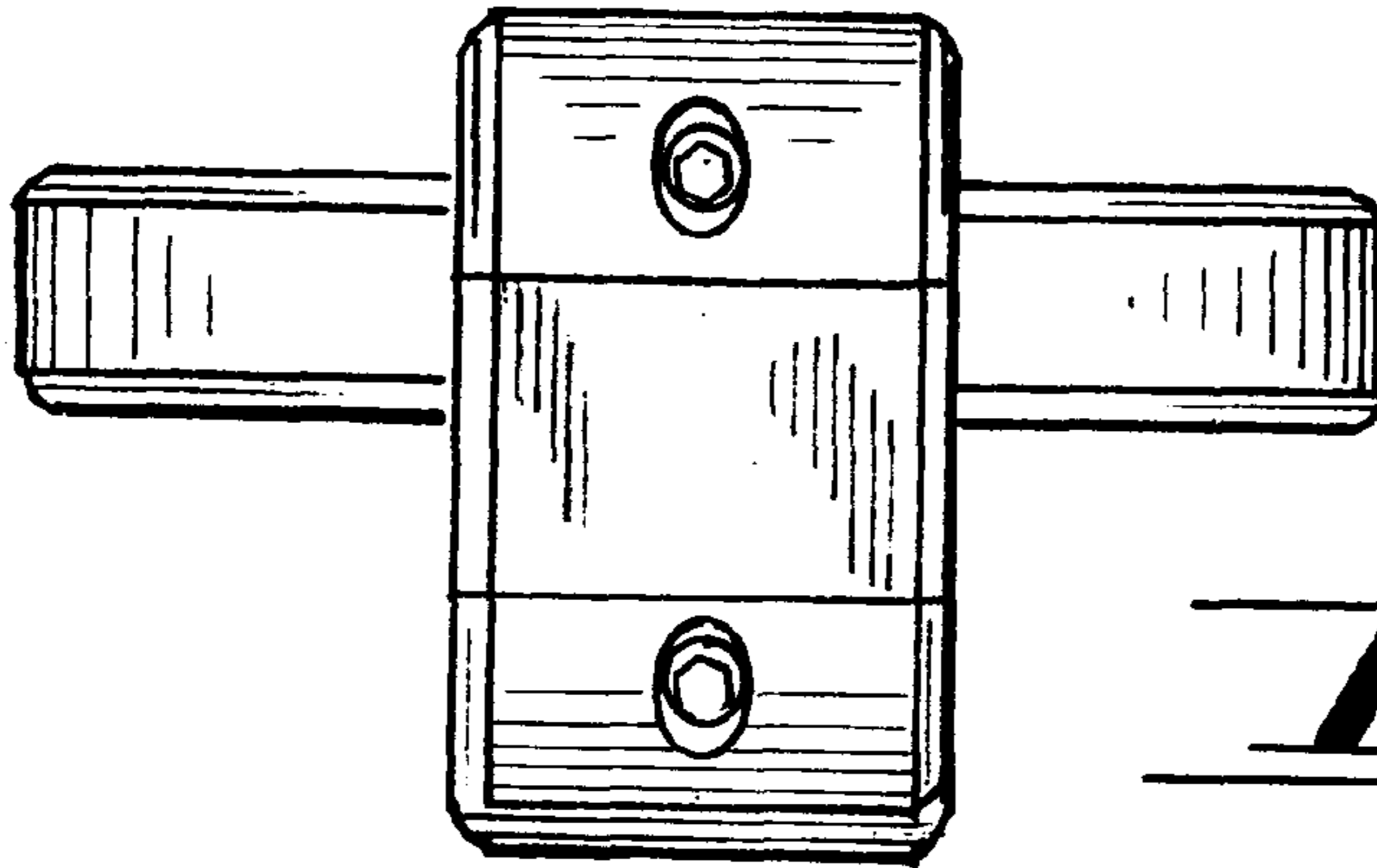


Fig. 5.

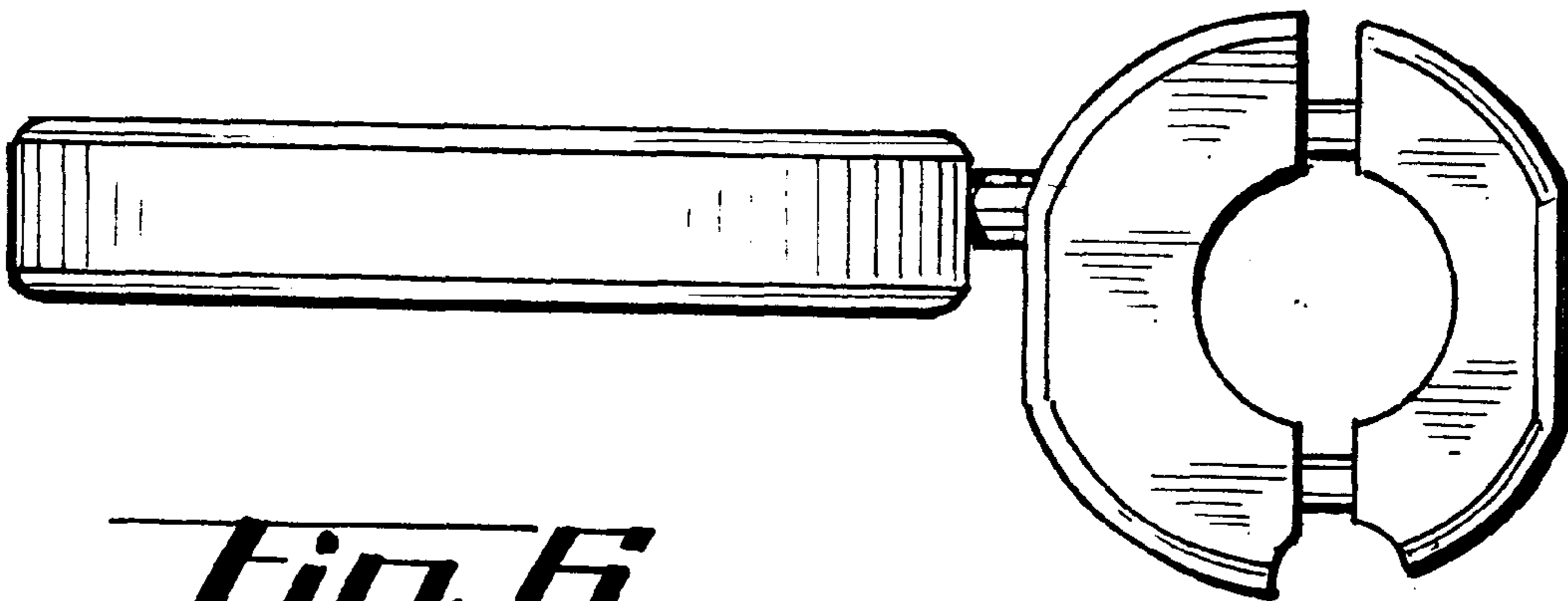


Fig. 6.

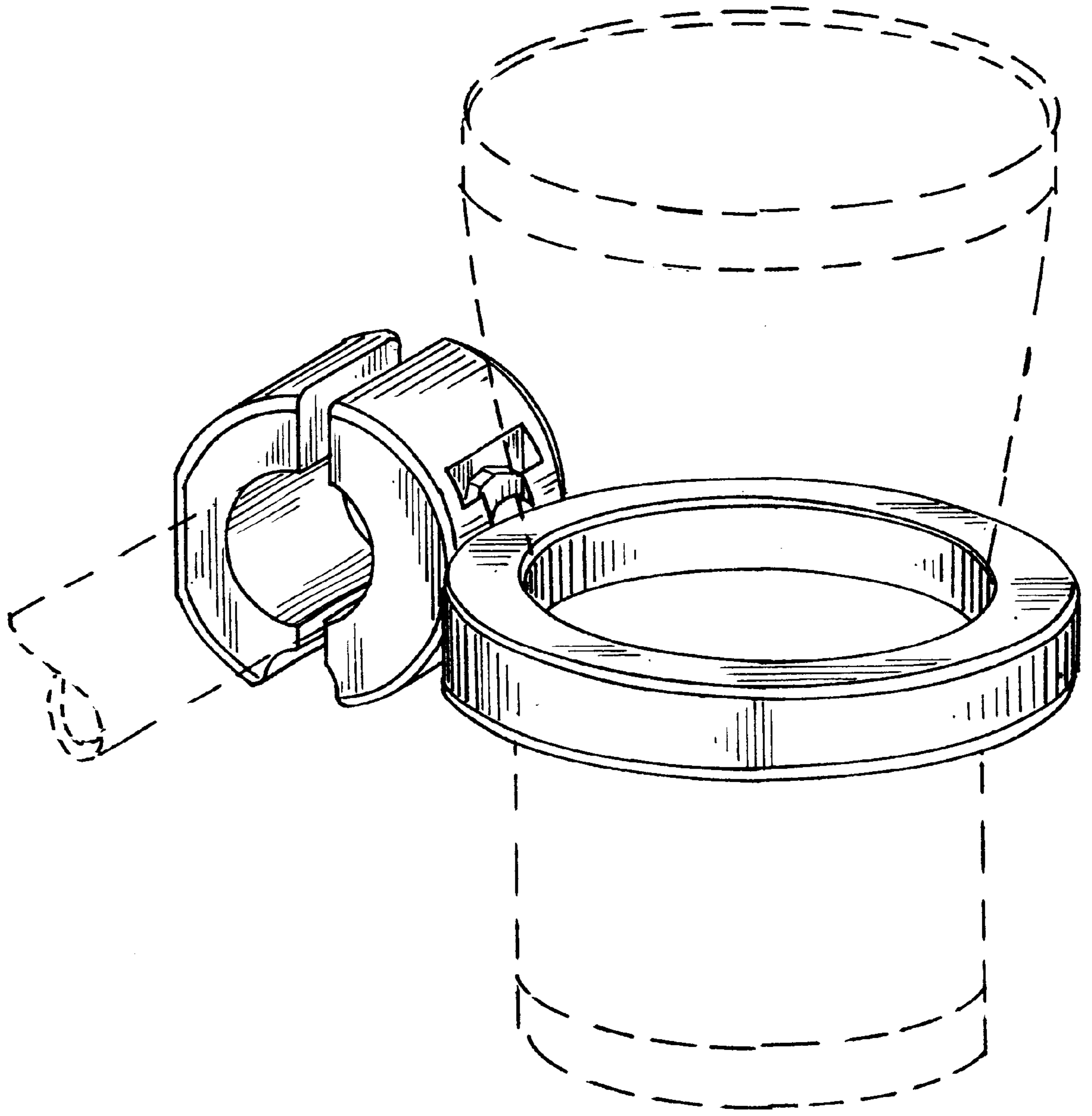


Fig. 3.