



US00D449812B1

(12) **United States Design Patent**
Penzes

(10) **Patent No.:** **US D449,812 S**

(45) **Date of Patent:** **** Oct. 30, 2001**

(54) **FRONT FACE OF A VEHICLE WHEEL**

(75) **Inventor:** **Anton Penzes, Lake Forest, CA (US)**

(73) **Assignee:** **TSW Alloy Wheels, Lake Forest, CA (US)**

(**) **Term:** **14 Years**

(21) **Appl. No.:** **29/131,903**

(22) **Filed:** **Oct. 31, 2000**

(51) **LOC (7) Cl.** **12-16**

(52) **U.S. Cl.** **D12/211**

(58) **Field of Search** **D12/204-211;**
301/37.1, 64.1, 65

D. 427,558	*	7/2000	Neeper	D12/211
D. 429,681	*	8/2000	Cullen	D12/211
D. 432,974	*	10/2000	Jablonski	D12/211
D. 433,374	*	11/2000	Wang	D12/209
D. 433,659	*	11/2000	Frizzi	D12/211
D. 435,004	*	12/2000	Noriega	D12/209
D. 435,502	*	12/2000	Donikoglu	D12/211

* cited by examiner

Primary Examiner—Stacia Cadmus

(74) *Attorney, Agent, or Firm*—Liniak, Berenato, Longacre & White

(57) **CLAIM**

The ornamental design for a front face of a vehicle wheel, as shown and described.

DESCRIPTION

FIG. 1 is a front view of a front face of a wheel showing our new design.

FIG. 2 is a top and left perspective view of the wheel shown in FIG. 1.

FIG. 3 is a front view of a front face of a wheel showing a second embodiment of our new design; and,

FIG. 4 is a top and left perspective view of the second embodiment of the wheel shown in FIG. 3.

The broken line showing of environment is for illustrative purposes only and forms no part of the claimed design.

1 Claim, 4 Drawing Sheets

(56) **References Cited**

U.S. PATENT DOCUMENTS

D. 384,930	*	10/1997	Hale, Jr.	D12/209
D. 390,822	*	2/1998	Neeper	D12/209
D. 402,251	*	12/1998	Timm	D12/211
D. 405,749	*	2/1999	Kulla	D12/211
D. 410,617	*	6/1999	Hussaini et al.	D12/209
D. 412,480	*	8/1999	Hussaini et al.	D12/209
D. 415,090	*	10/1999	Pruden	D12/209
D. 417,646	*	12/1999	Baumgartner	D12/211
D. 420,319	*	2/2000	Ruslan	D12/209
D. 420,320	*	2/2000	Khoury	D12/209
D. 427,130	*	6/2000	Johnson	D12/211

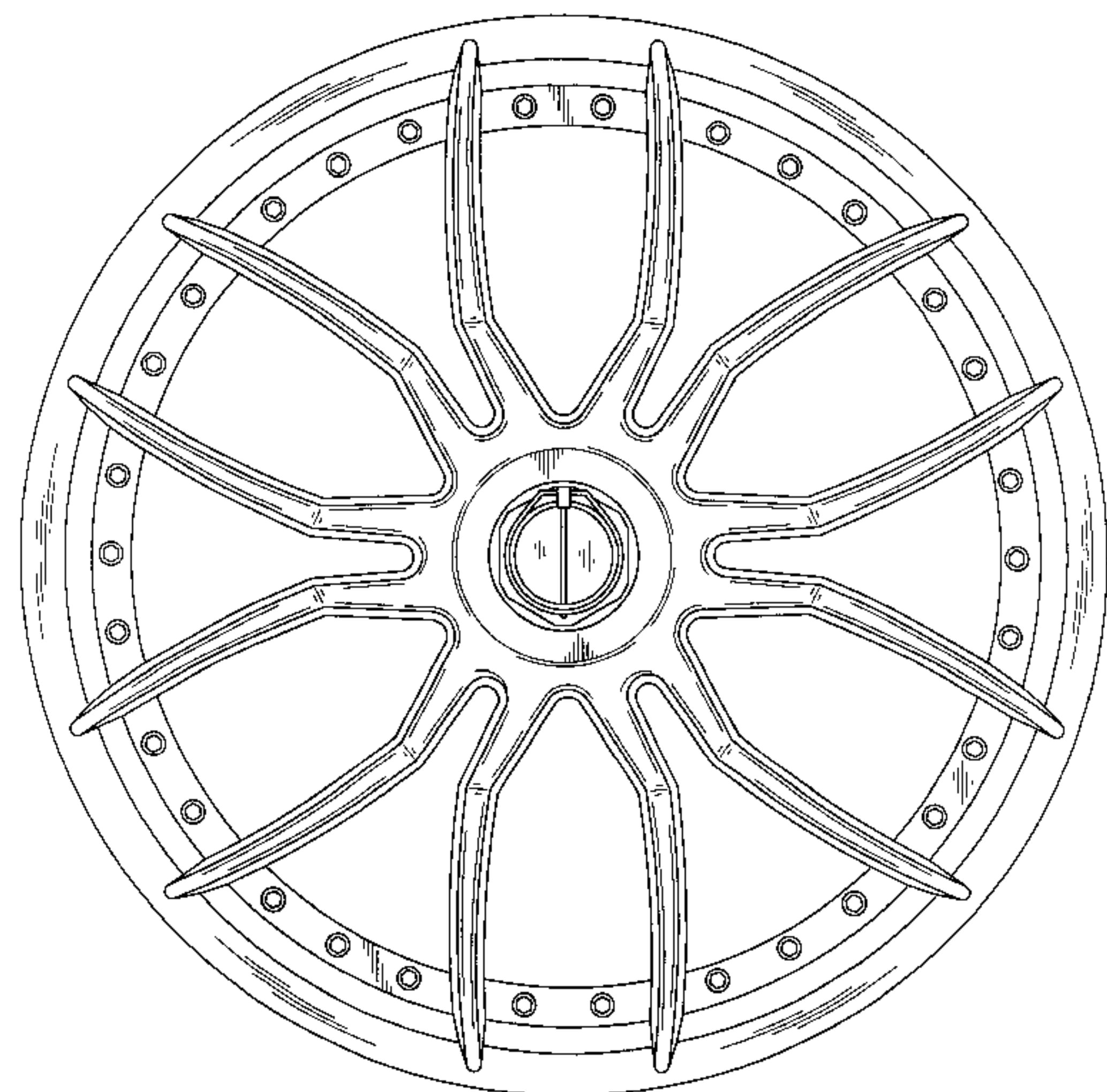
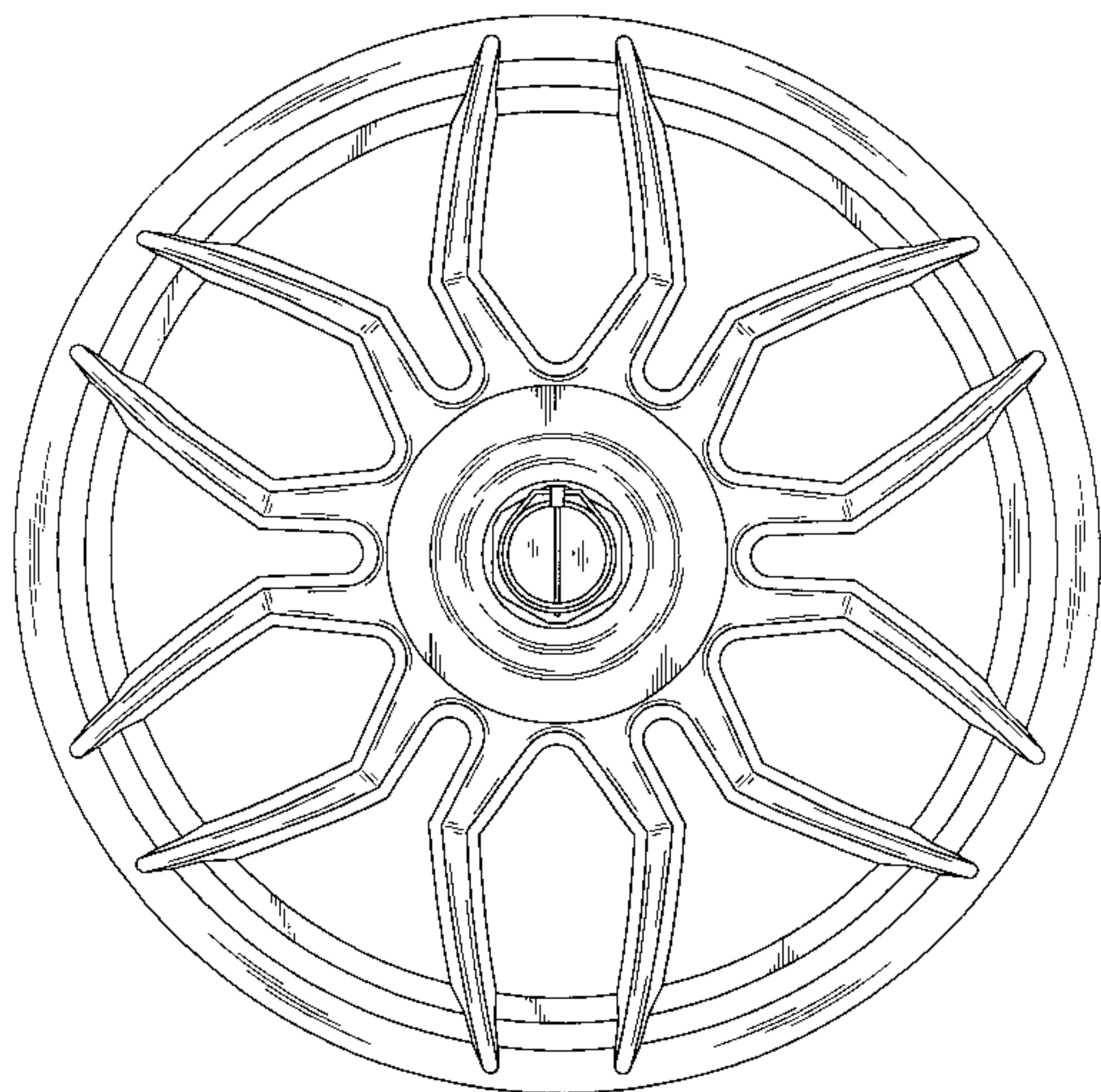


Fig. 1

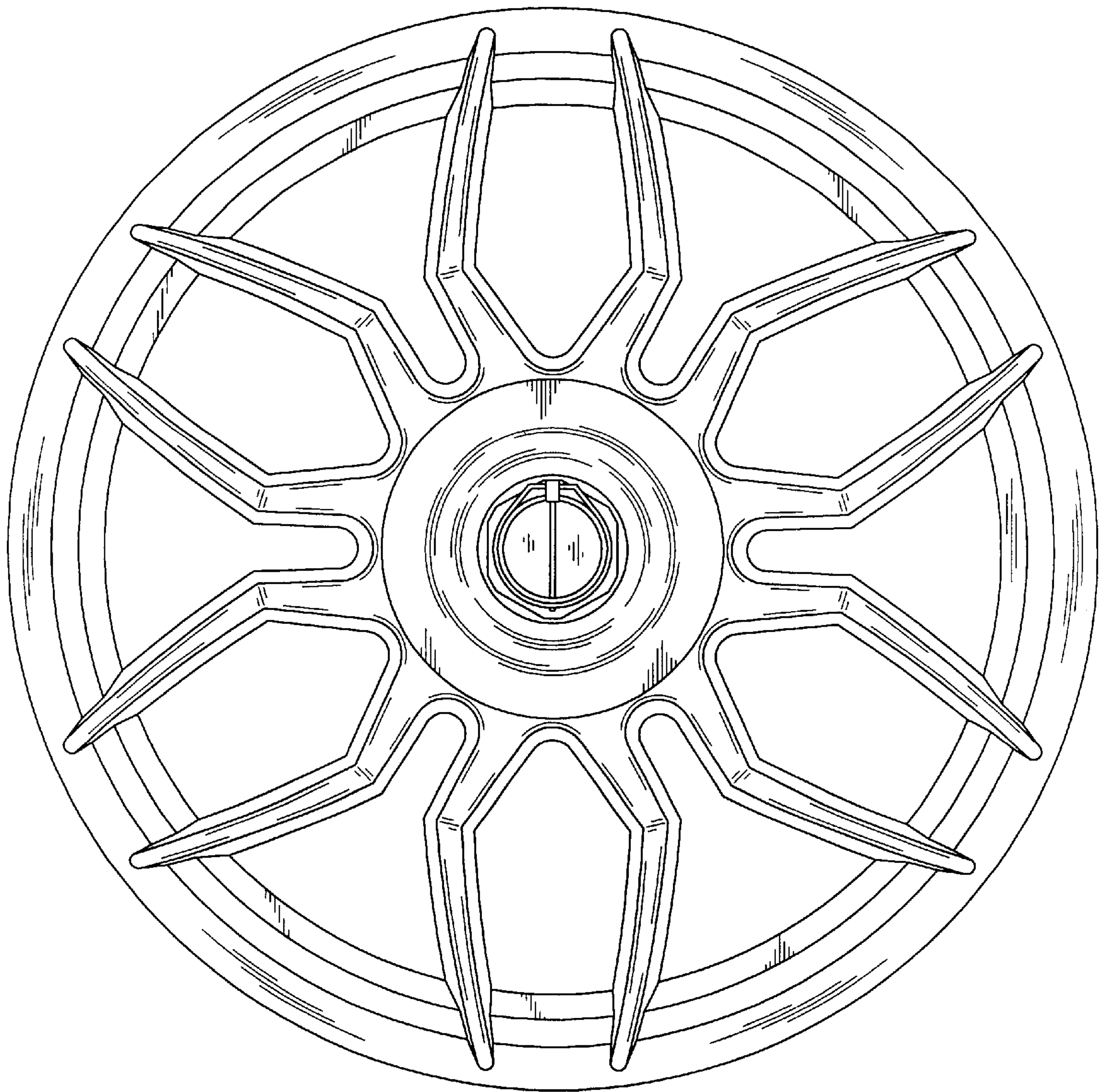


Fig. 2

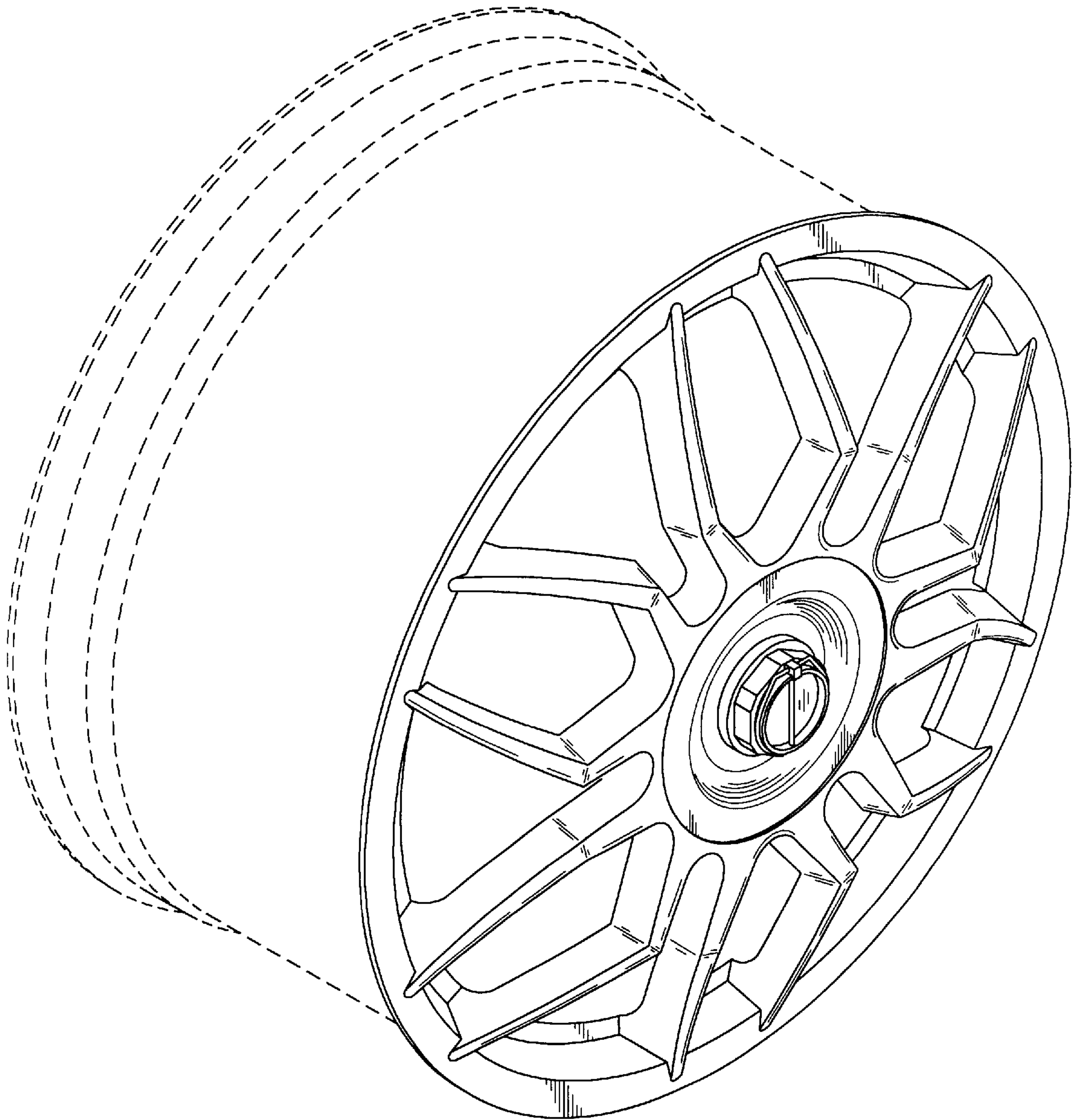


Fig. 3

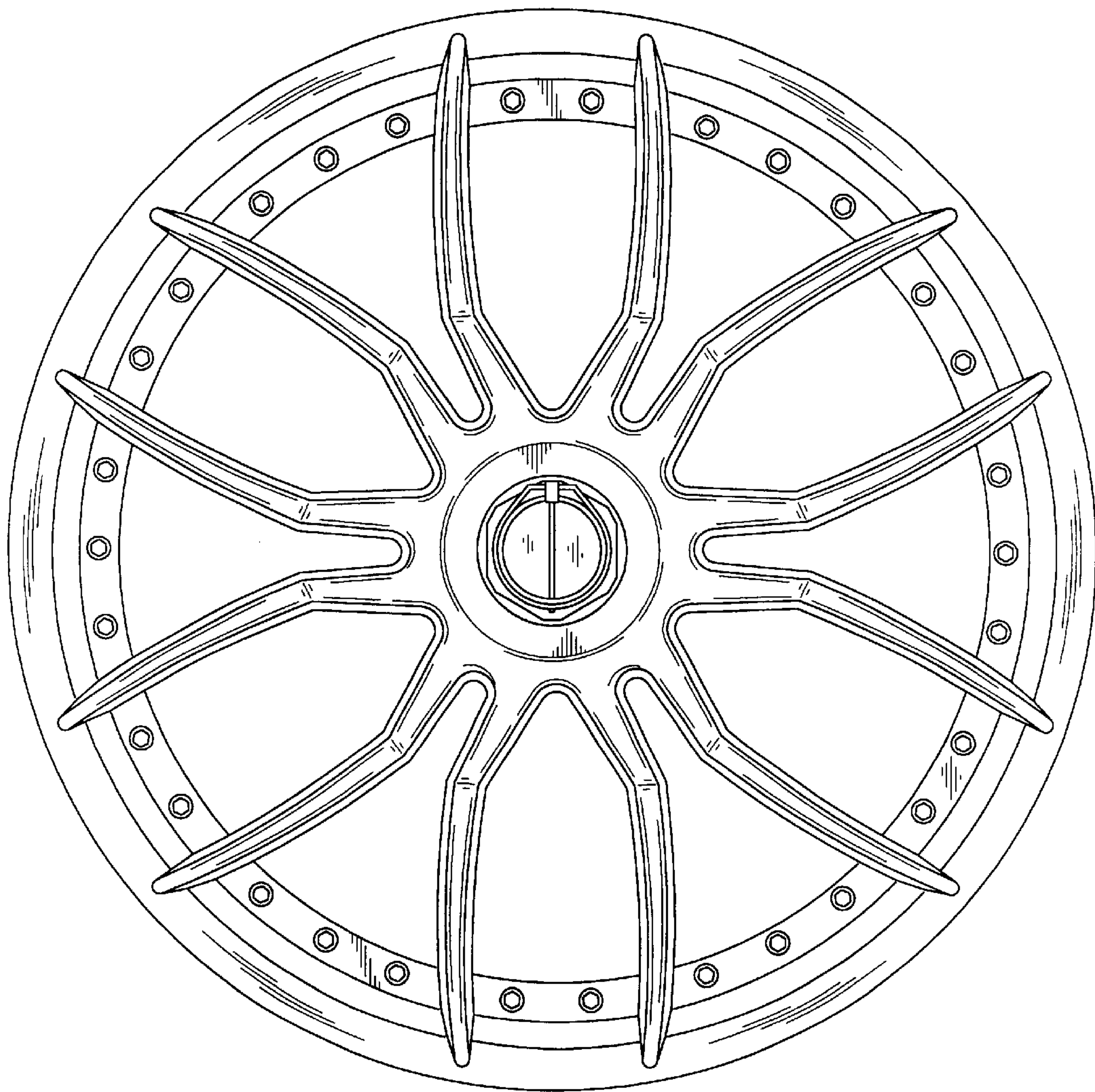


Fig. 4

