



US00D449811B1

(12) **United States Design Patent**
Fitzgerald

(10) **Patent No.:** **US D449,811 S**

(45) **Date of Patent:** **** Oct. 30, 2001**

(54) **MOTOR VEHICLE WHEEL FRONT FACE**

(75) Inventor: **Kevin Fitzgerald**, Long Beach, CA
(US)

(73) Assignee: **KMC Products, Inc.**, Riverside, CA
(US)

(**) Term: **14 Years**

(21) Appl. No.: **29/124,471**

(22) Filed: **Jun. 6, 2000**

(51) **LOC (7) Cl.** **12-16**

(52) **U.S. Cl.** **D12/211**

(58) **Field of Search** D12/204-211;
301/37.1, 64.1, 65

(56) **References Cited**

U.S. PATENT DOCUMENTS

D. 403,649	*	1/1999	Moreno	D12/211
D. 410,614	*	6/1999	Fitzgerald	D12/209
D. 430,524	*	9/2000	Noriega	D12/209
D. 430,527	*	9/2000	Noriega	D12/211
D. 431,807	*	10/2000	Fitzgerald	D12/211

D. 432,972	*	10/2000	Chung	D12/209
D. 436,070	*	1/2001	Lee	D12/209
D. 436,569	*	1/2001	Brown et al.	D12/209
D. 438,165	*	2/2001	Echazabal	D12/211
D. 438,166	*	2/2001	Noriega	D12/211
D. 438,832	*	3/2001	Ong	D12/209
D. 438,834	*	3/2001	Ong	D12/211

* cited by examiner

Primary Examiner—Stacia Cadmus

(74) *Attorney, Agent, or Firm*—Dykema Gossett PLLC

(57) **CLAIM**

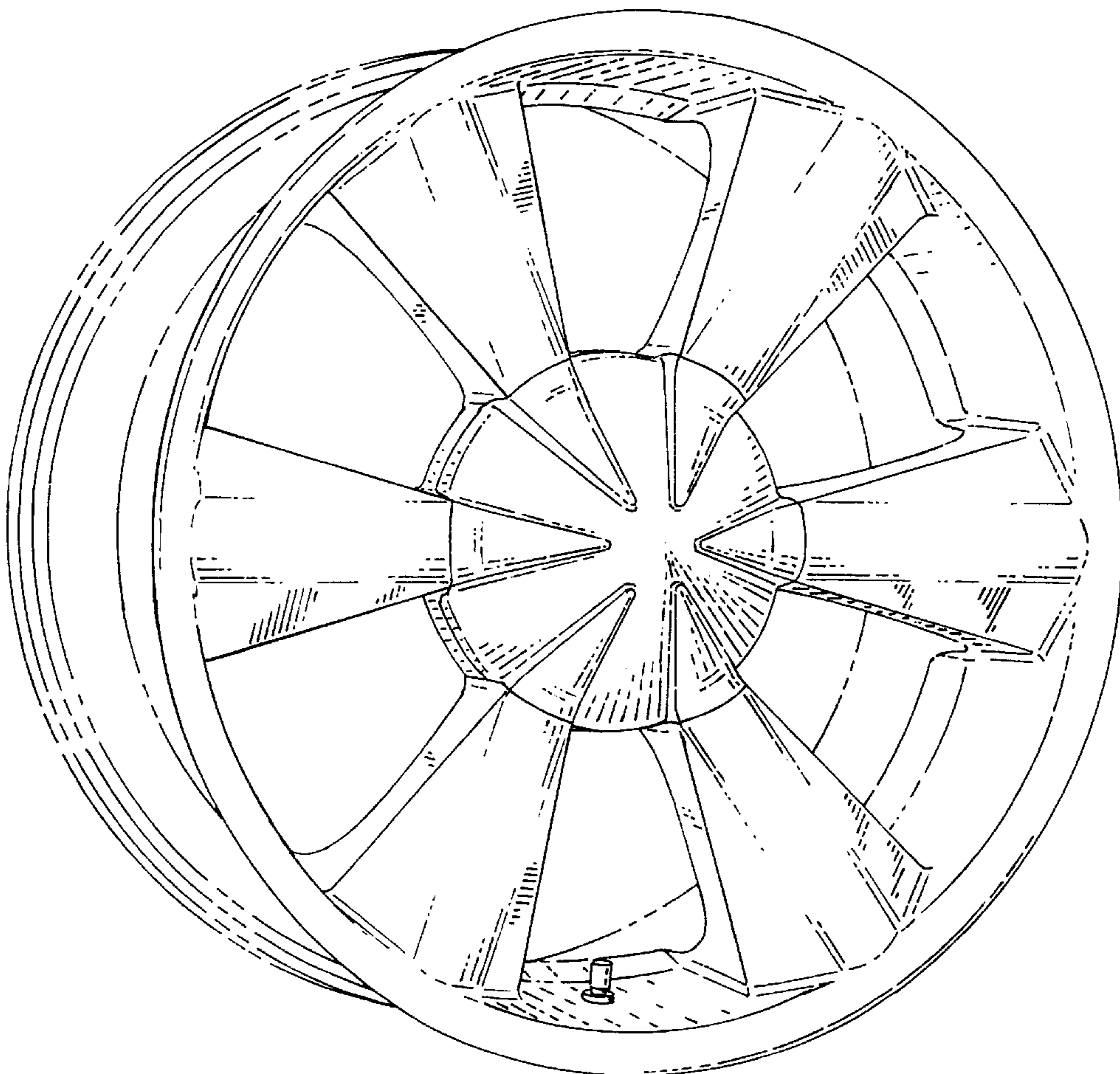
The ornamental design for a motor vehicle wheel front face, as shown and described.

DESCRIPTION

FIG. 1 is a front perspective view of a motor vehicle wheel front face showing my new design; and, FIG. 2 is a front elevational view of the wheel shown in FIG. 1.

The phantom line showing of environment is for illustrative purposes only and forms no part of the claimed design.

1 Claim, 2 Drawing Sheets



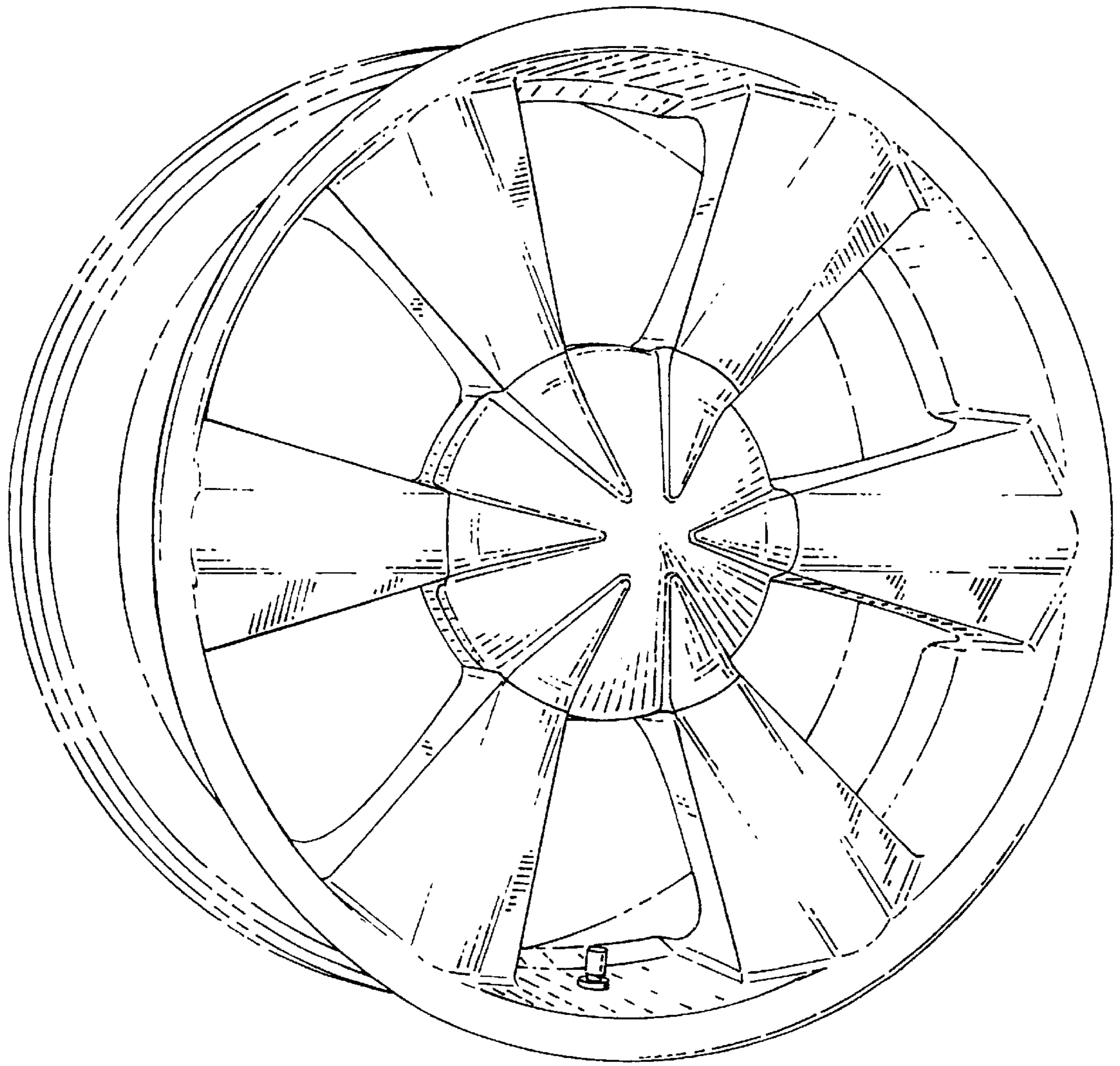


FIG. 1

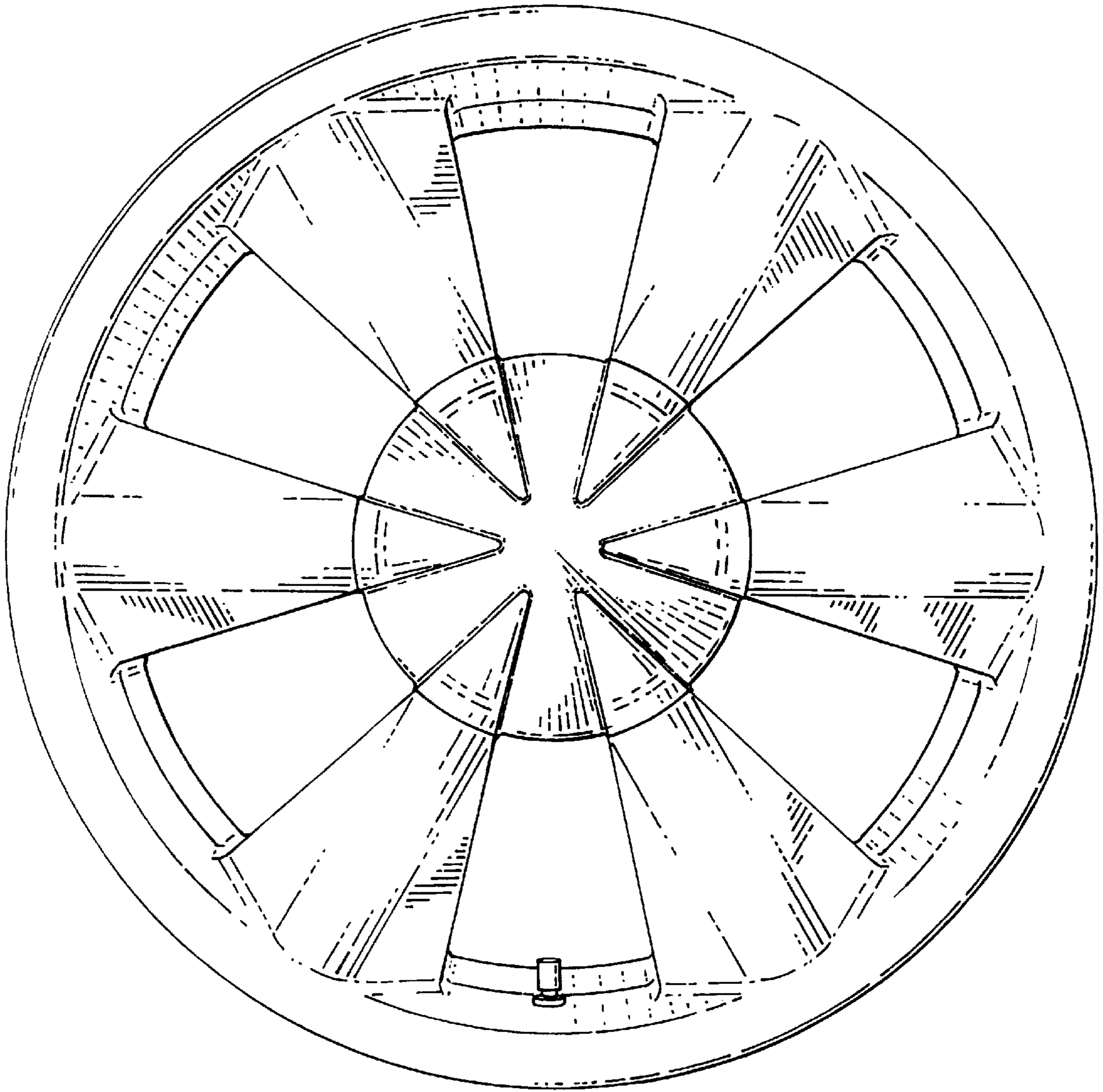


FIG. 2