



US00D449806B1

(12) **United States Design Patent**  
**VanderMolen**

(10) **Patent No.:** **US D449,806 S**

(45) **Date of Patent:** **\*\* Oct. 30, 2001**

(54) **UTILITY VEHICLE FRONT BODY PANEL**

(57) **CLAIM**

(75) **Inventor:** **Duane VanderMolen**, Bermuda Dunes,  
CA (US)

I claim the ornamental design for a utility vehicle front body panel, as shown and described.

(73) **Assignee:** **Club Car, Inc.**, Evans, GA (US)

**DESCRIPTION**

(\*\*) **Term:** **14 Years**

FIG. 1 is a perspective view of a first embodiment of the utility vehicle front body panel of the present invention; FIG. 2 is a front elevational view of the utility vehicle front body panel of FIG. 1;

(21) **Appl. No.:** **29/139,508**

FIG. 3 is a top plan view of the utility vehicle front body panel of FIG. 1;

(22) **Filed:** **Mar. 30, 2001**

FIG. 4 is a left side elevational view of the utility vehicle front body panel of FIG. 1, the right side view being a mirror image thereof;

(51) **LOC (7) Cl.** ..... **12-16**

(52) **U.S. Cl.** ..... **D12/164; D12/173**

(58) **Field of Search** ..... D12/173, 164,  
D12/96, 15, 16, 93, 14; D15/22-28, 31;  
180/89.12-89.16, 69.1, 69.2, 69.22, 69.23;  
296/180.1, 180.2, 190

FIG. 5 is a rear elevational view of the utility vehicle front body panel of FIG. 1;

FIG. 6 is a bottom plan view of the utility vehicle front body panel of FIG. 1;

(56) **References Cited**

**U.S. PATENT DOCUMENTS**

- D. 292,899 \* 11/1987 Samuelson et al. .... D12/16
- D. 319,811 \* 9/1991 Tisten ..... D12/164
- D. 338,862 \* 8/1993 Tisten et al. .... D12/173
- D. 356,582 \* 3/1995 Weber ..... D15/23 X
- D. 409,544 \* 5/1999 Voss et al. .... D12/196
- D. 436,557 \* 1/2001 Selby et al. .... D12/14

FIG. 7 is a perspective view of a second embodiment of the utility vehicle front body panel of the present invention;

FIG. 8 is a front elevational view of the utility vehicle front body panel of FIG. 7;

FIG. 9 is a top plan view of the utility vehicle front body panel of FIG. 7;

FIG. 10 is a left side elevational view of the utility vehicle front body panel of FIG. 7, the right side view being a mirror image thereof;

FIG. 11 is a rear elevational view of the utility vehicle front body panel of FIG. 7; and,

FIG. 12 is a bottom plan view of the utility vehicle front body panel of FIG. 7.

\* cited by examiner

*Primary Examiner*—Melody N. Brown

(74) *Attorney, Agent, or Firm*—Glenn M. Massina

**1 Claim, 6 Drawing Sheets**

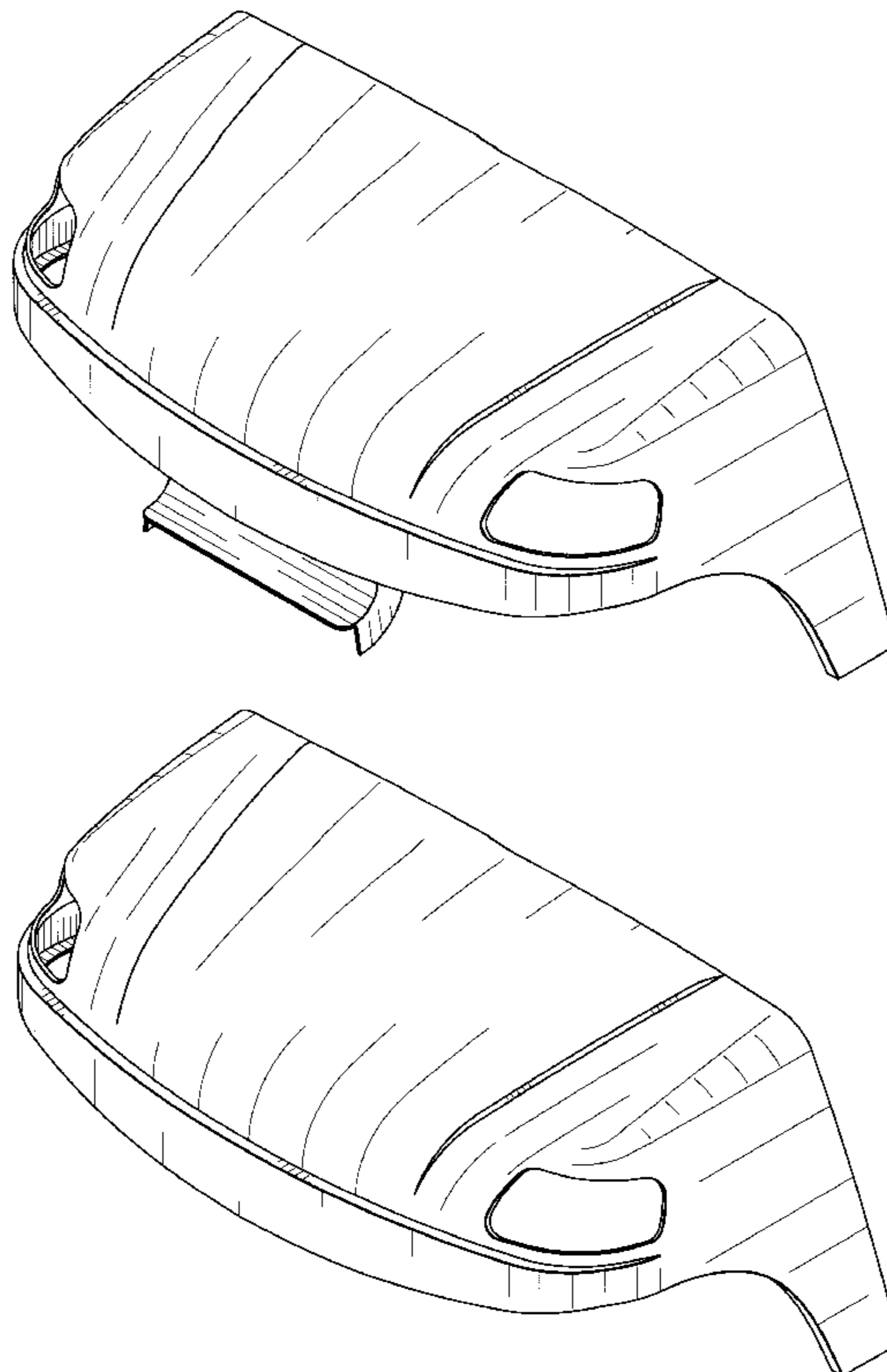


FIG. 1

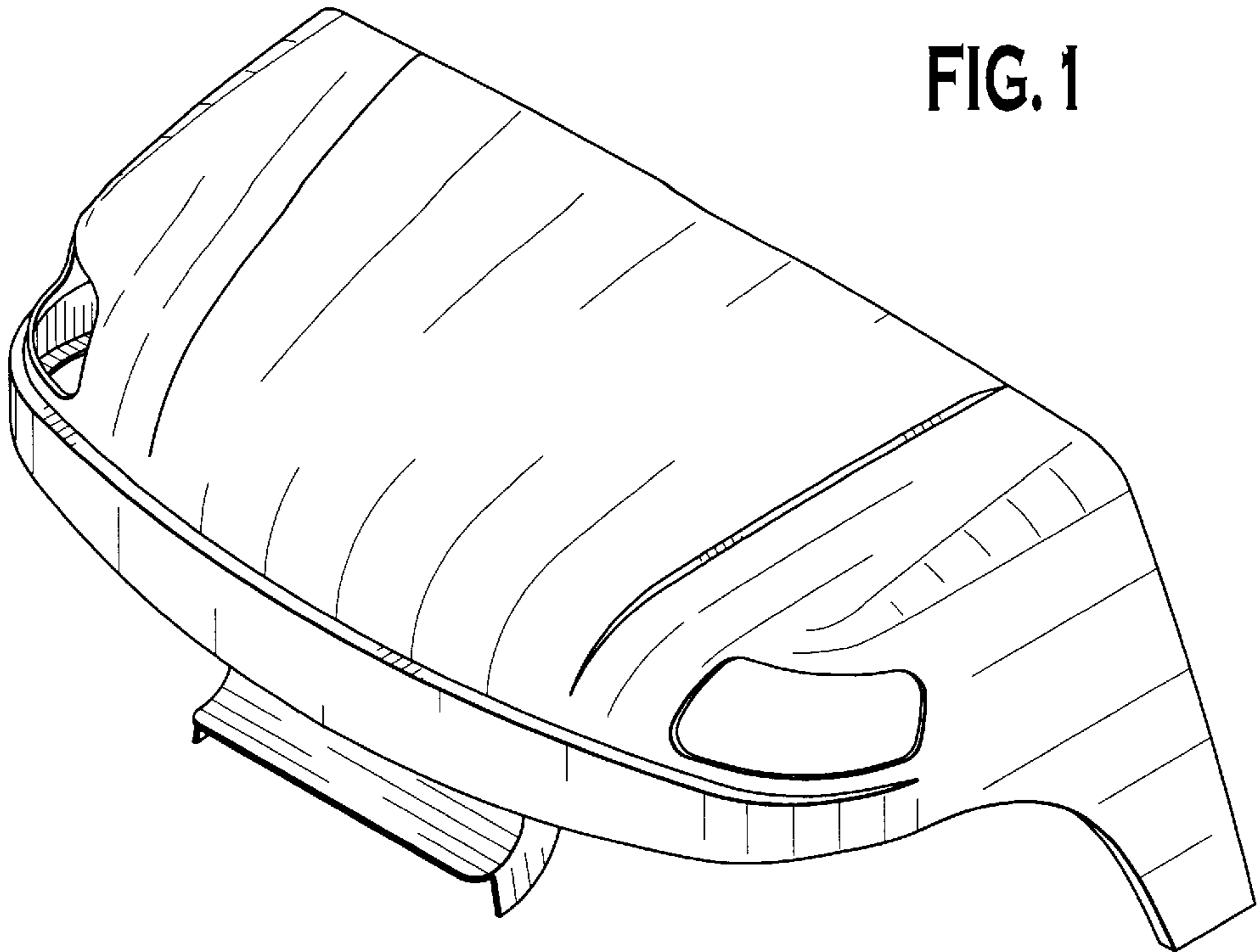


FIG. 2

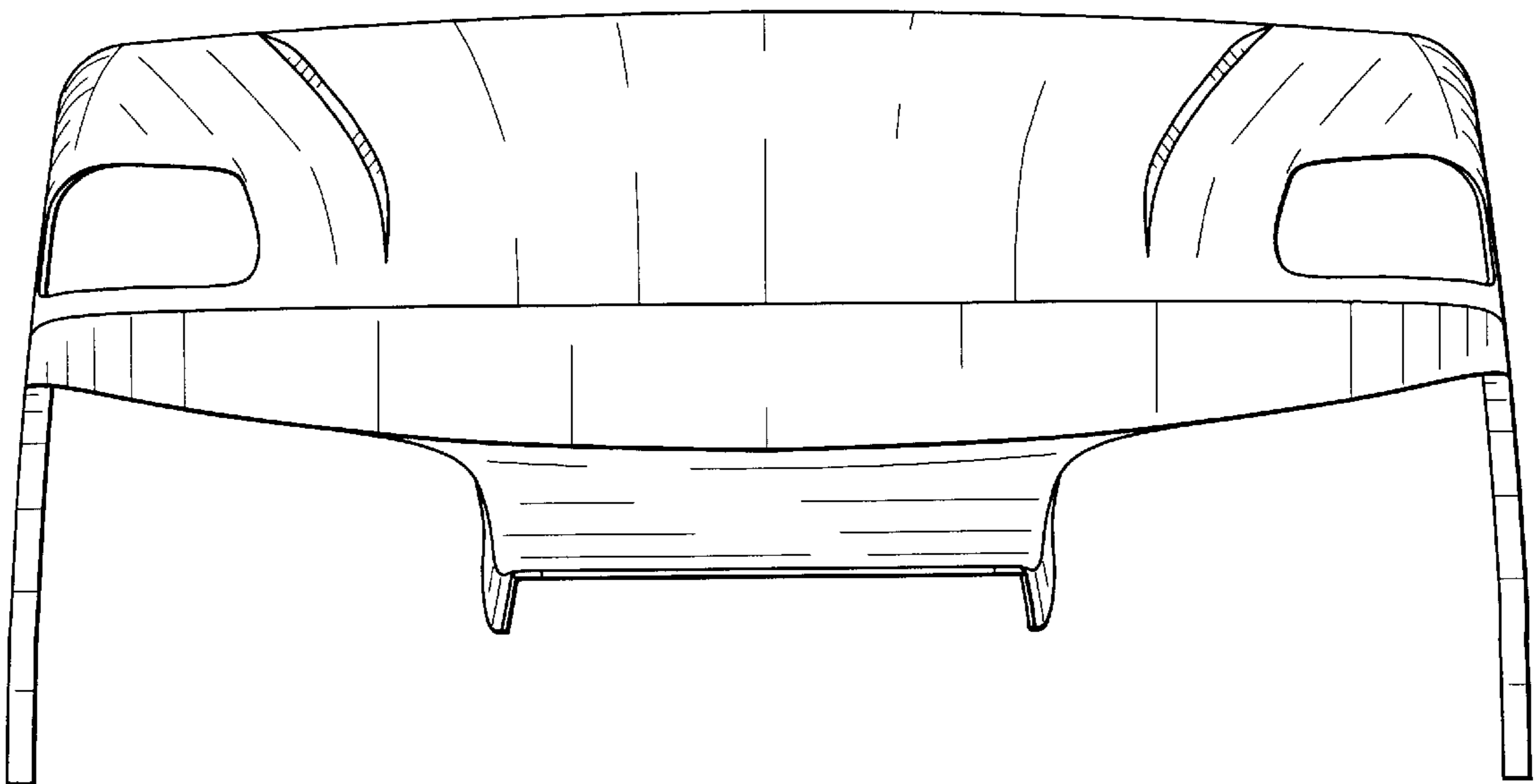


FIG. 3

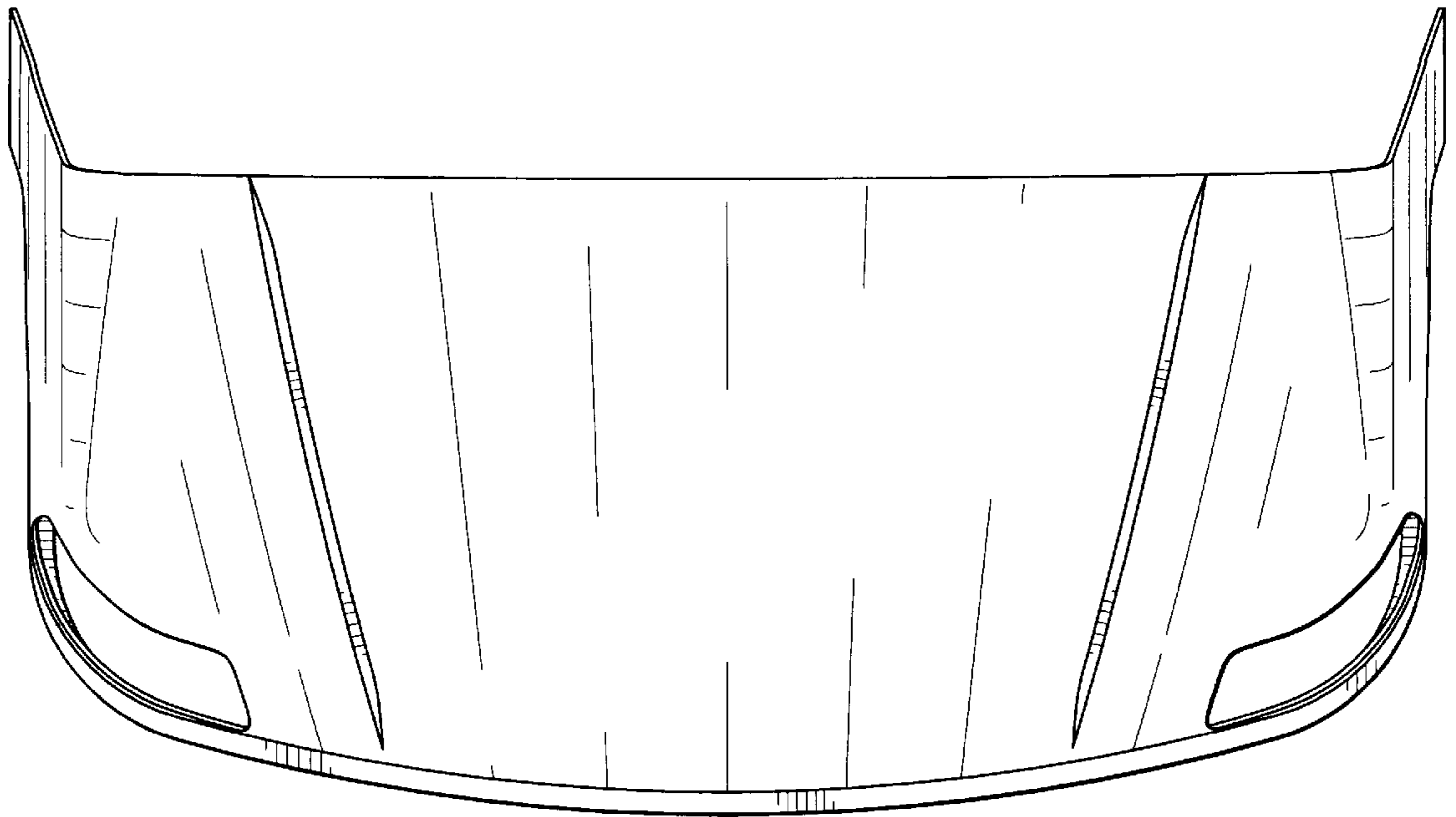
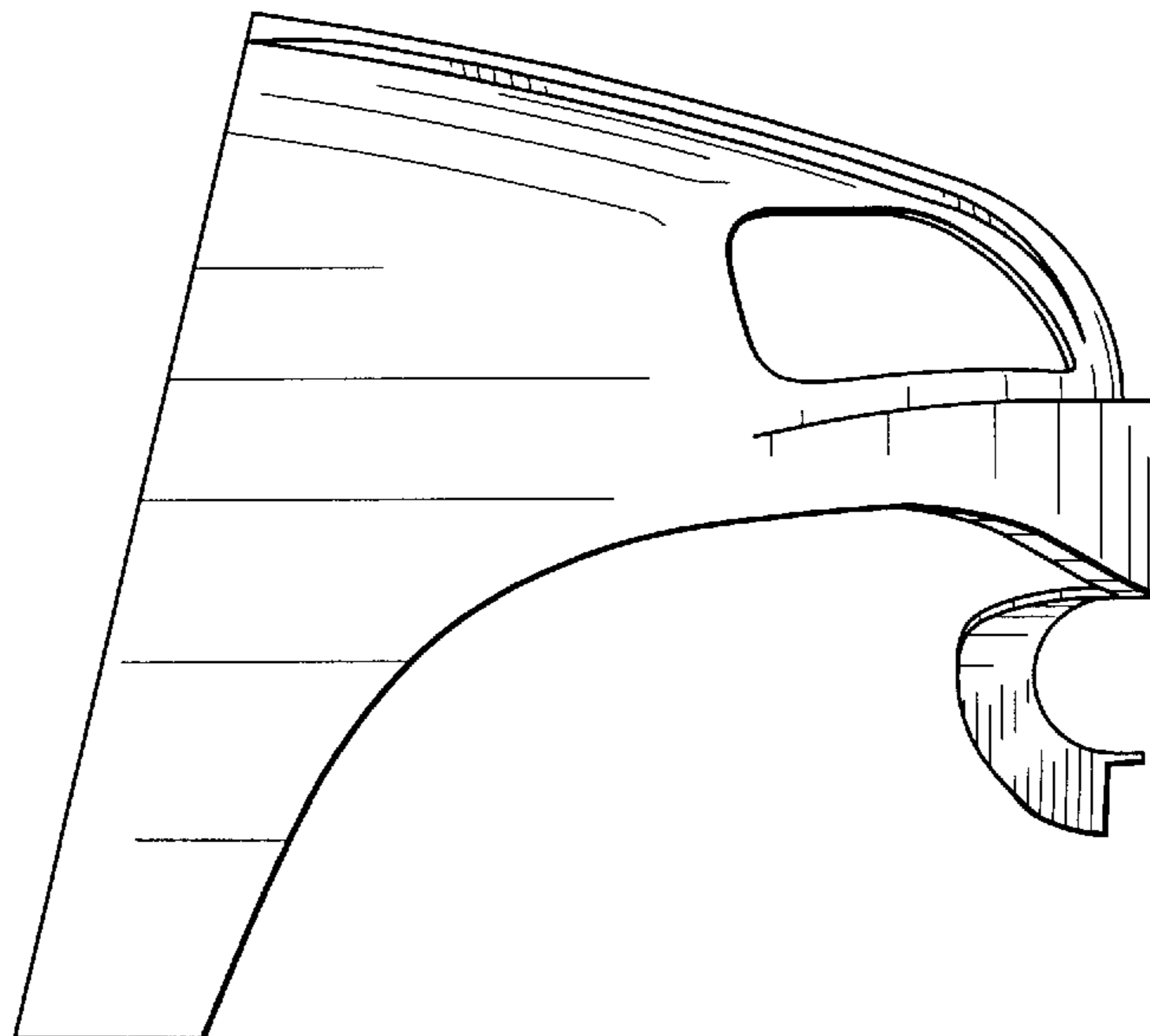
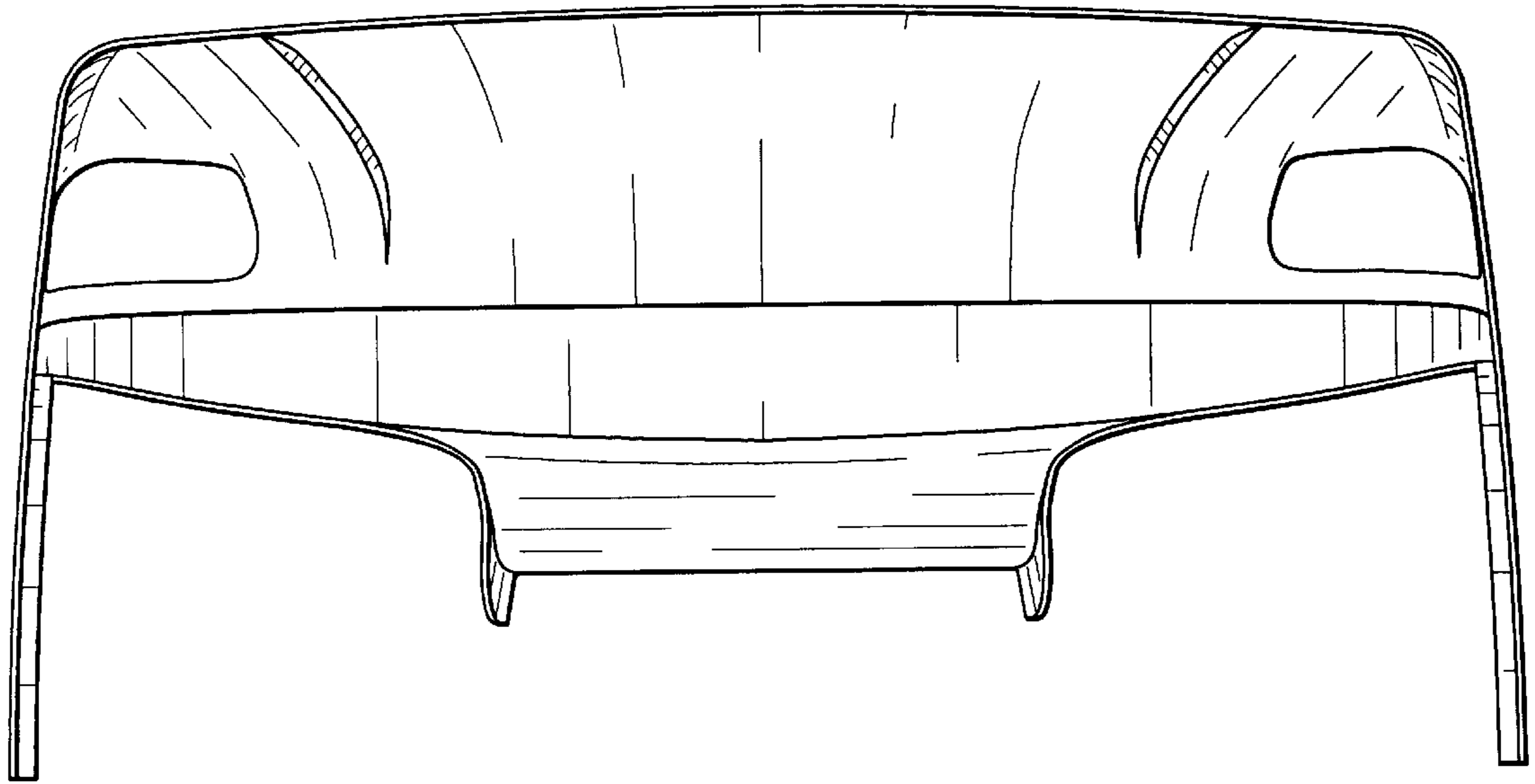


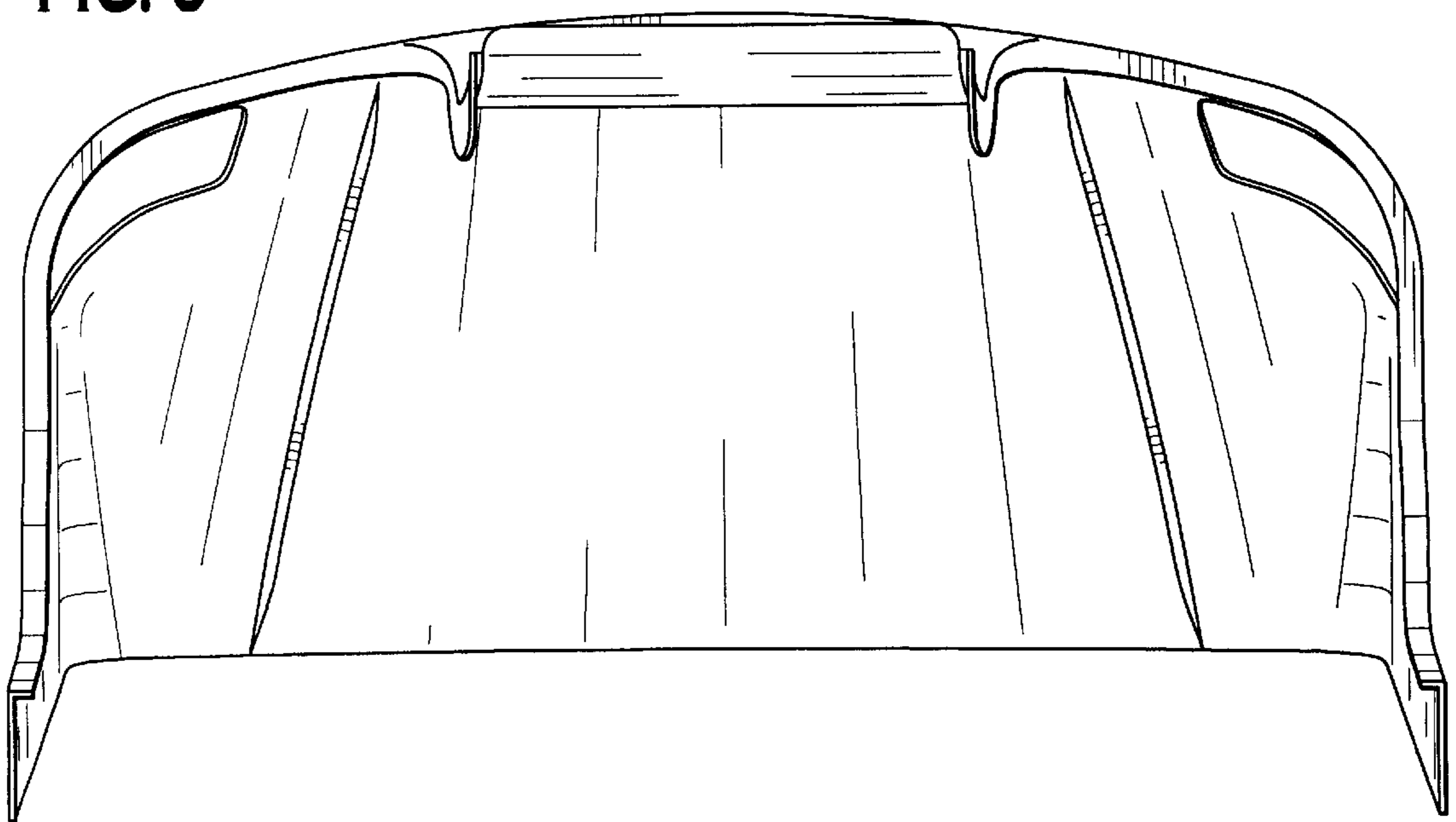
FIG. 4



**FIG. 5**



**FIG. 6**



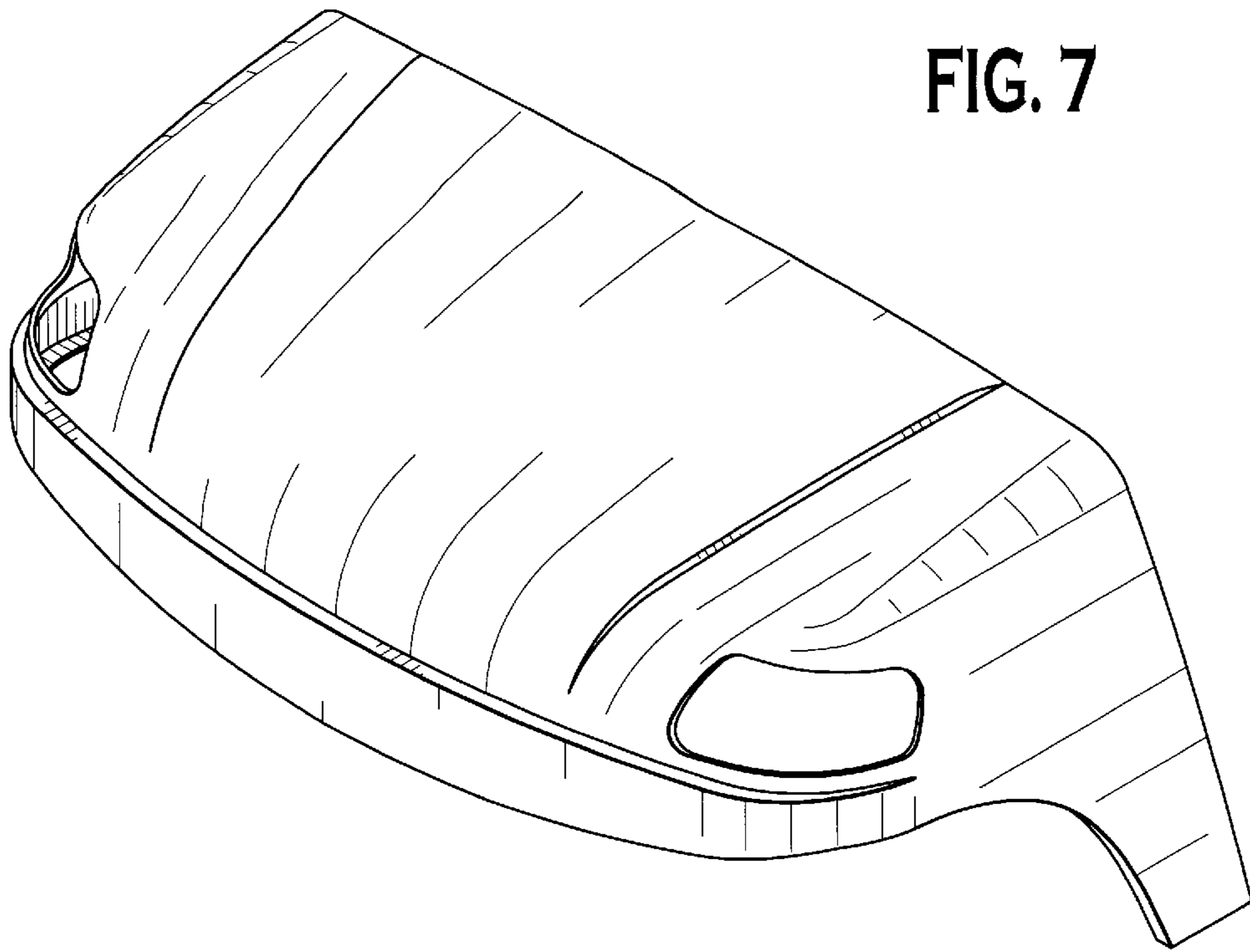


FIG. 7

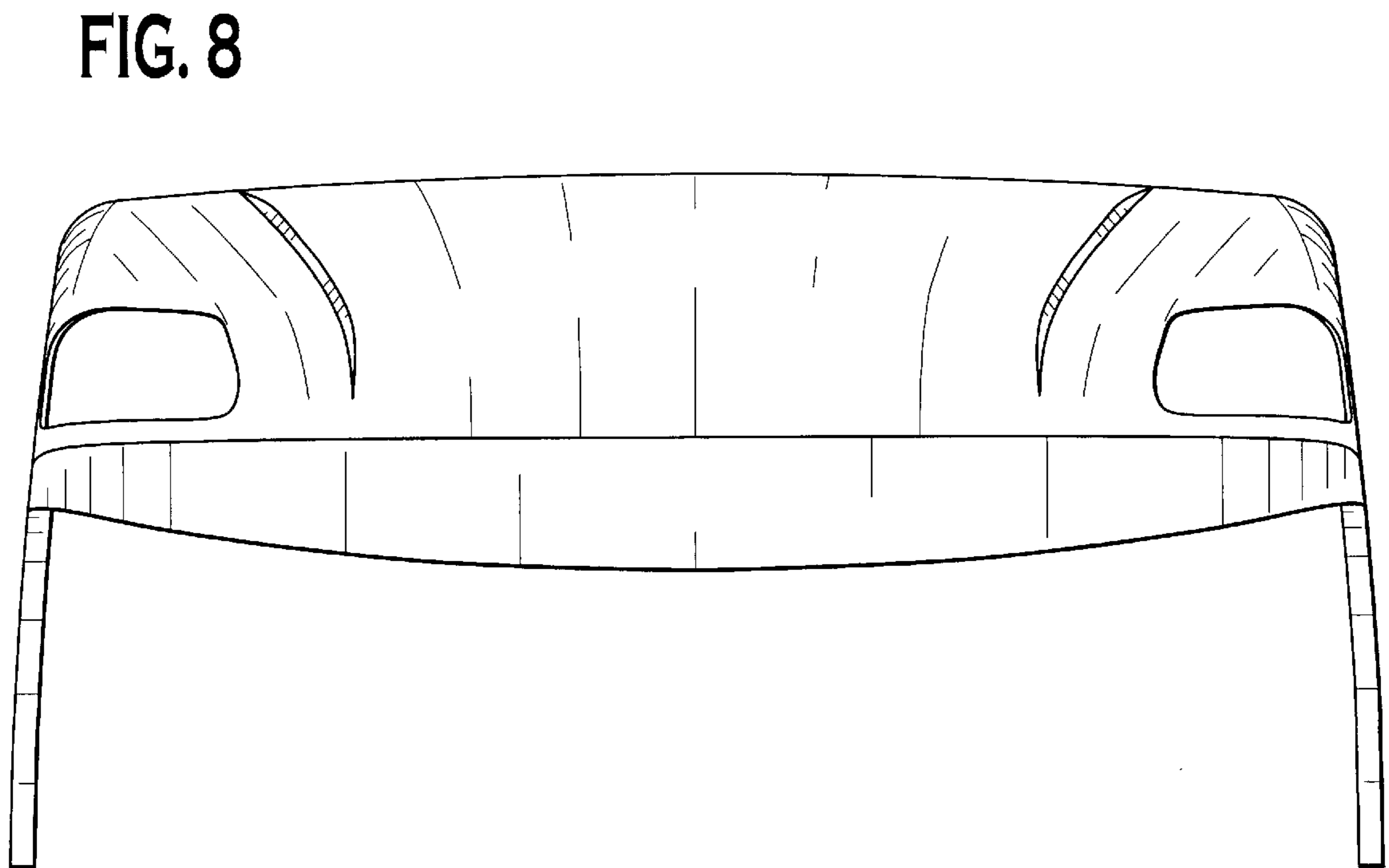


FIG. 8

FIG. 9

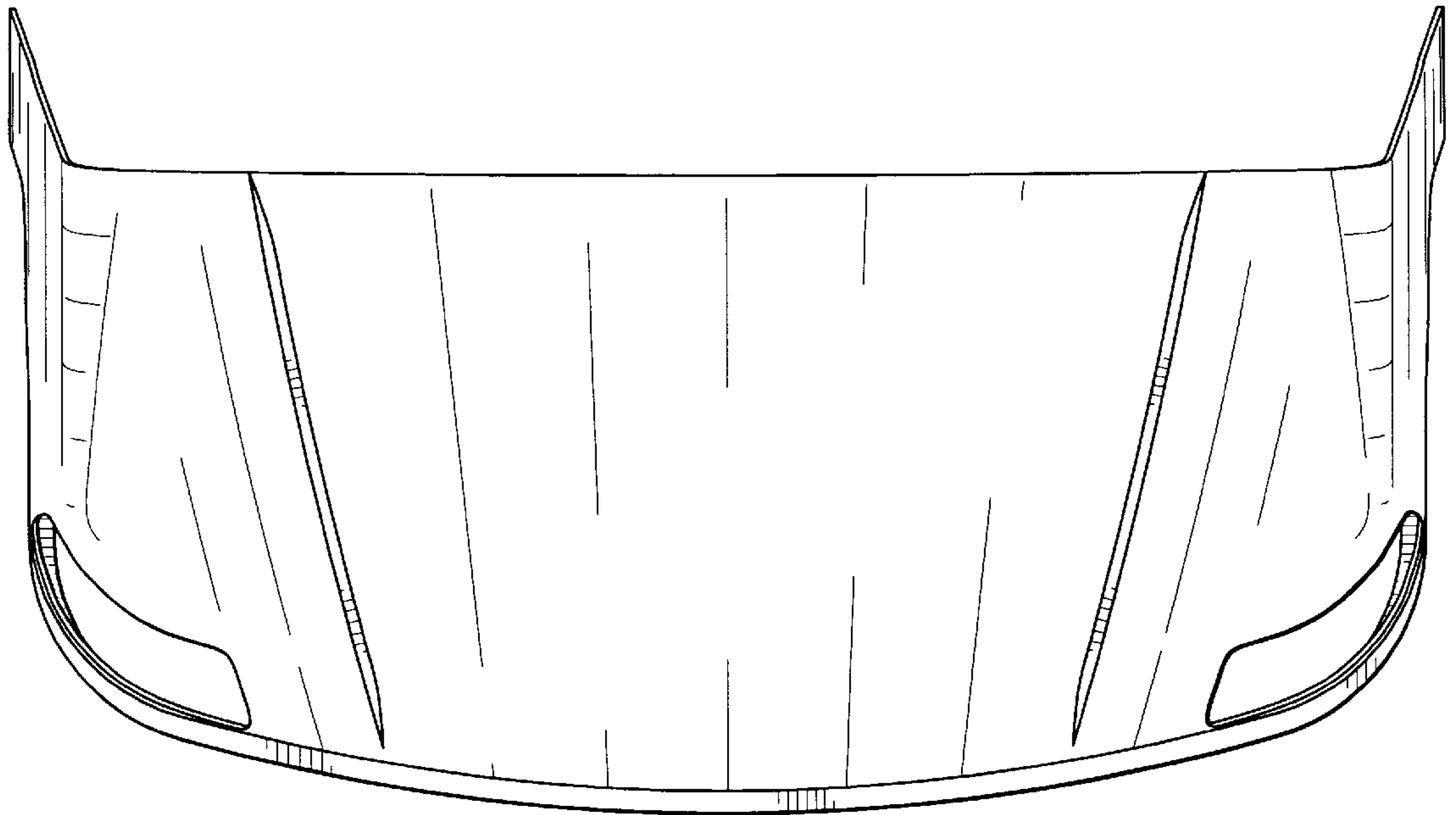
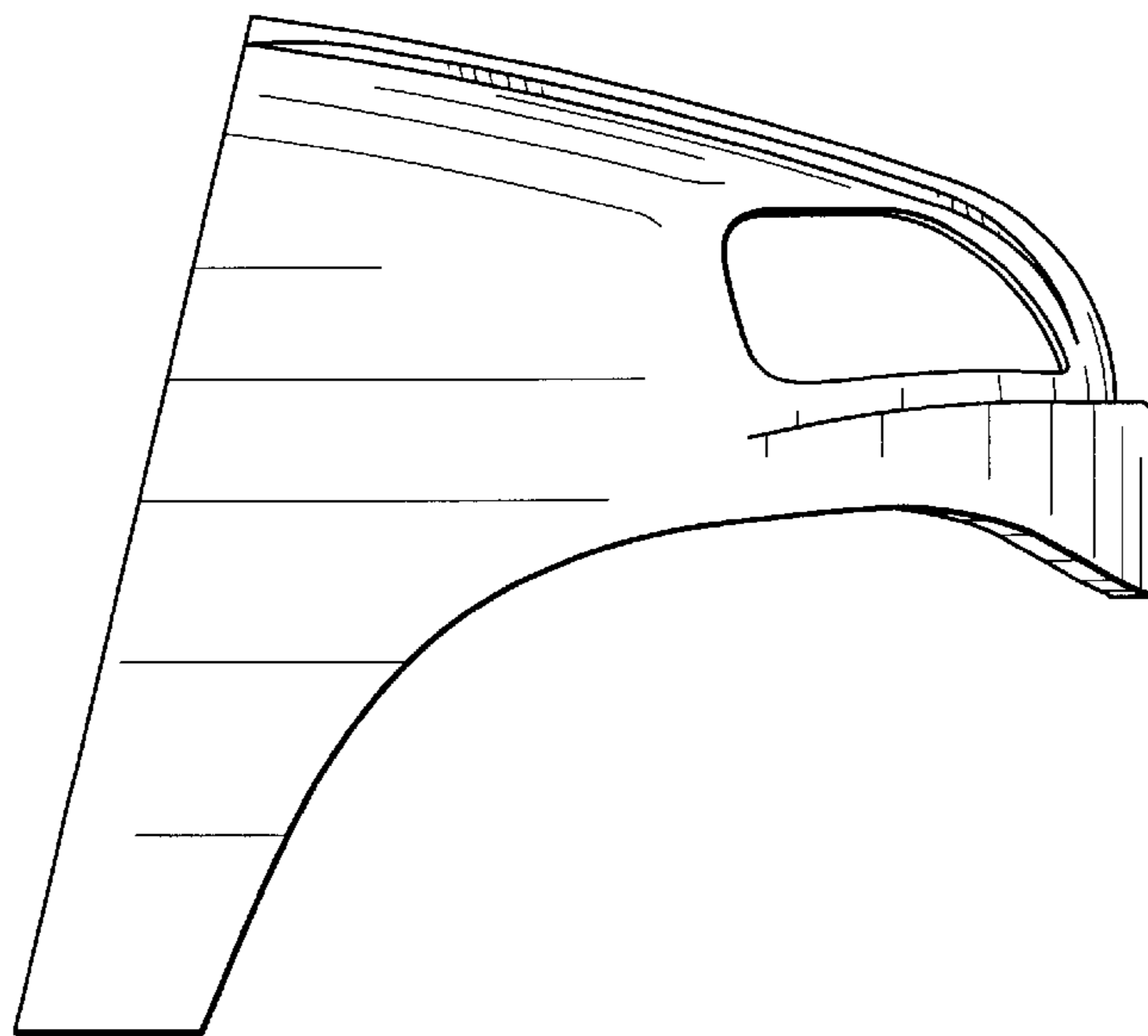
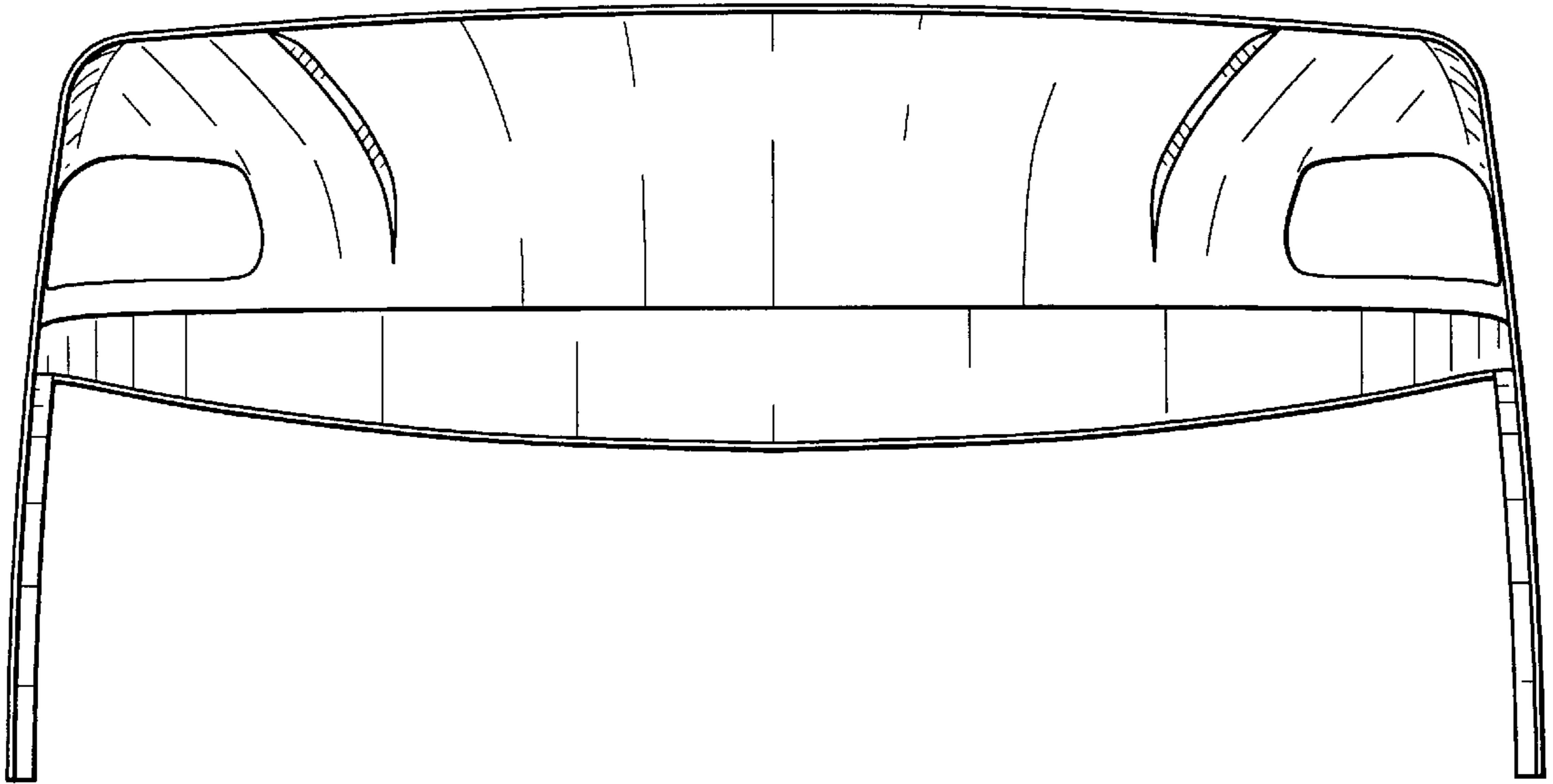


FIG. 10



**FIG. 11**



**FIG. 12**

