



US00D449797B1

(12) **United States Design Patent**
Gerzeny et al.

(10) **Patent No.:** **US D449,797 S**

(45) **Date of Patent:** **** Oct. 30, 2001**

(54) **MOTOR HOME BODY UNIT**

(76) Inventors: **David R. Gerzeny**, 4230 Castlebridge La., Sarasota, FL (US) 34238; **Steven B. Gerzeny**, 440 Bayshore Dr., Venice, FL (US) 34285; **Matt L. Gerzeny**, 433 Lake of the Woods Dr., Venice, FL (US) 34293; **Ronald R. Frank**, 1064 Eisenhower Dr., Nokomis, FL (US) 34275

(**) Term: **14 Years**

(21) Appl. No.: **29/133,364**

(22) Filed: **Nov. 28, 2000**

(51) **LOC (7) Cl.** **12-10**

(52) **U.S. Cl.** **D12/103**

(58) **Field of Search** D12/103, 100;
296/181-183

(56) **References Cited**

U.S. PATENT DOCUMENTS

- D. 233,141 * 10/1974 Ward D12/103
- D. 235,534 * 6/1975 May D12/103
- D. 344,473 * 2/1994 Romesburg D12/102

* cited by examiner

Primary Examiner—Melody N. Brown
(74) *Attorney, Agent, or Firm*—Gifford, Krass, Groh, Sprinkle, Anderson & Citkowski, P.C.

(57) **CLAIM**

The ornamental design of a motor home body unit, as shown and described.

DESCRIPTION

FIG. 1 is a perspective view from the rear and left side of the motor home body unit embodying the new design;

FIG. 2 is a left side elevational view of the motor home body unit, it being understood that the broken lines are for illustrative purposes only and form no part of the claimed design.

FIG. 3 is an elevational view of the right side of the motor home body unit,

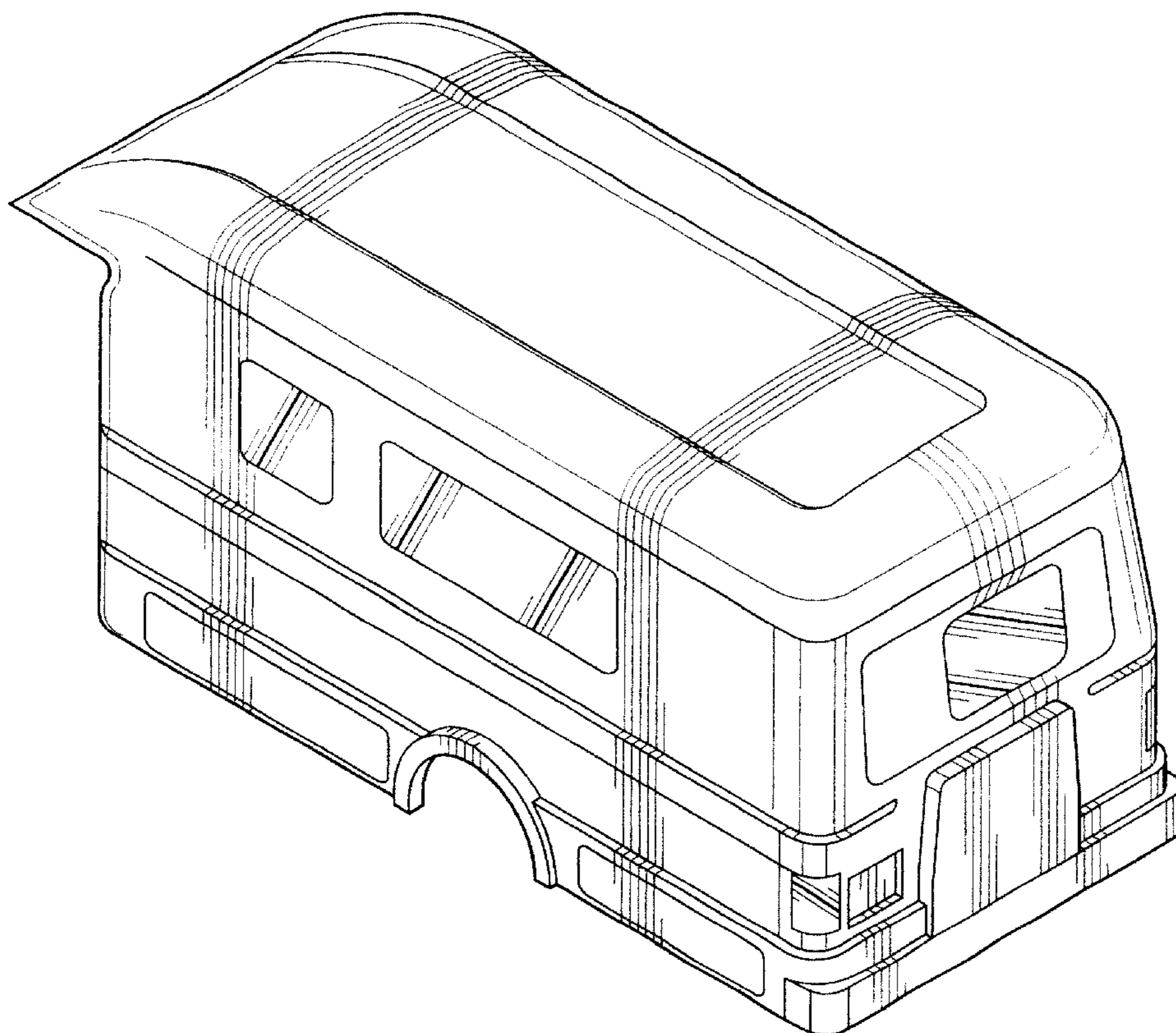
FIG. 4 is an elevation of the rear of the motor home body unit;

FIG. 5 is an elevation of the front of the motor home body unit; and,

FIG. 6 is a top plan view of the motor home body unit.

The broken lines shown in FIGS. 2-4 of the drawing are for illustrative purposes only and form no part of the claimed design.

1 Claim, 3 Drawing Sheets



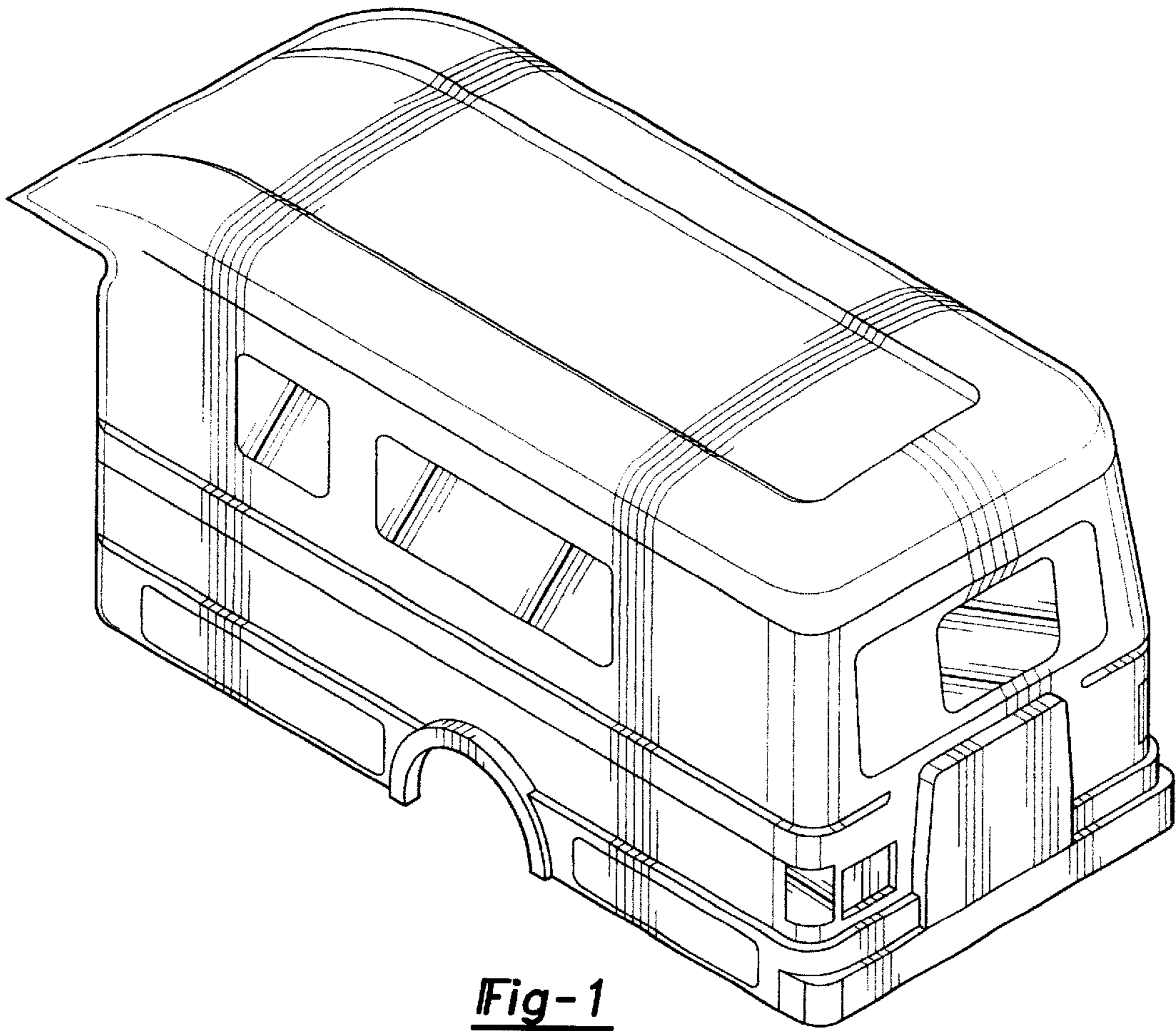


Fig-1

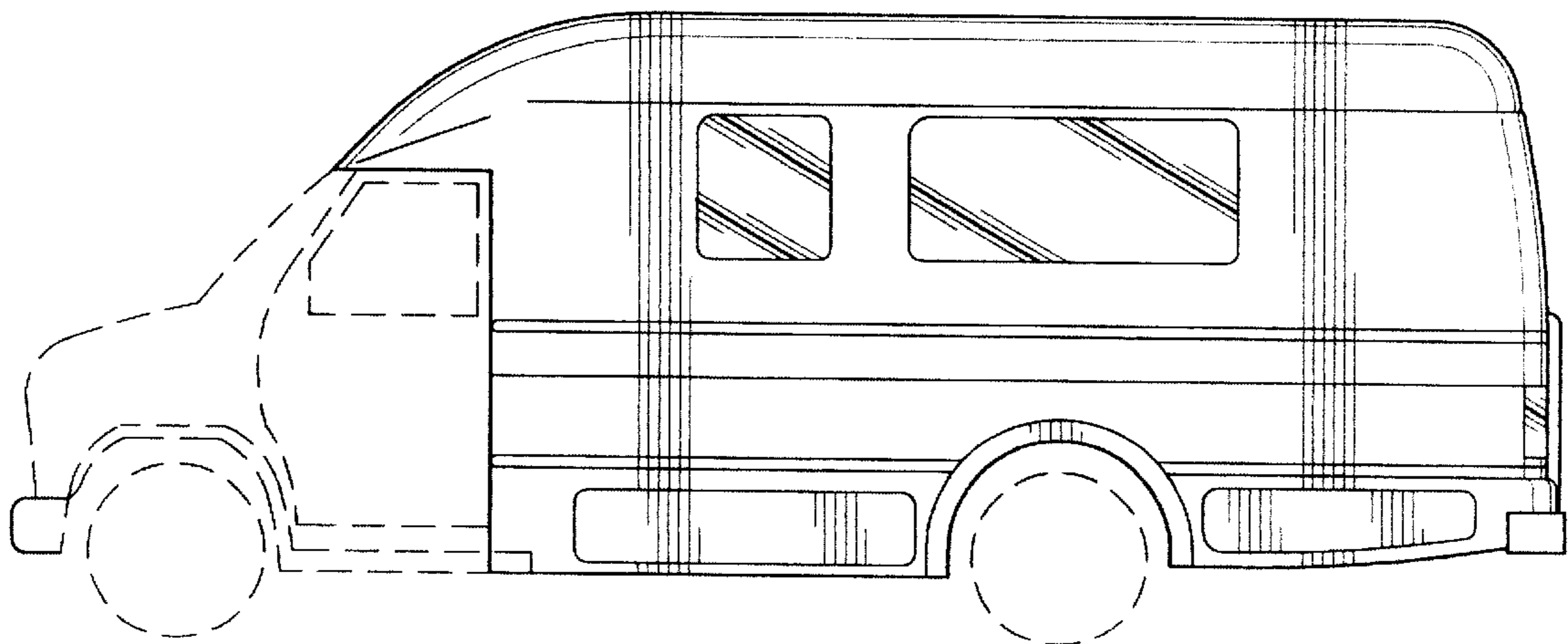


Fig-2

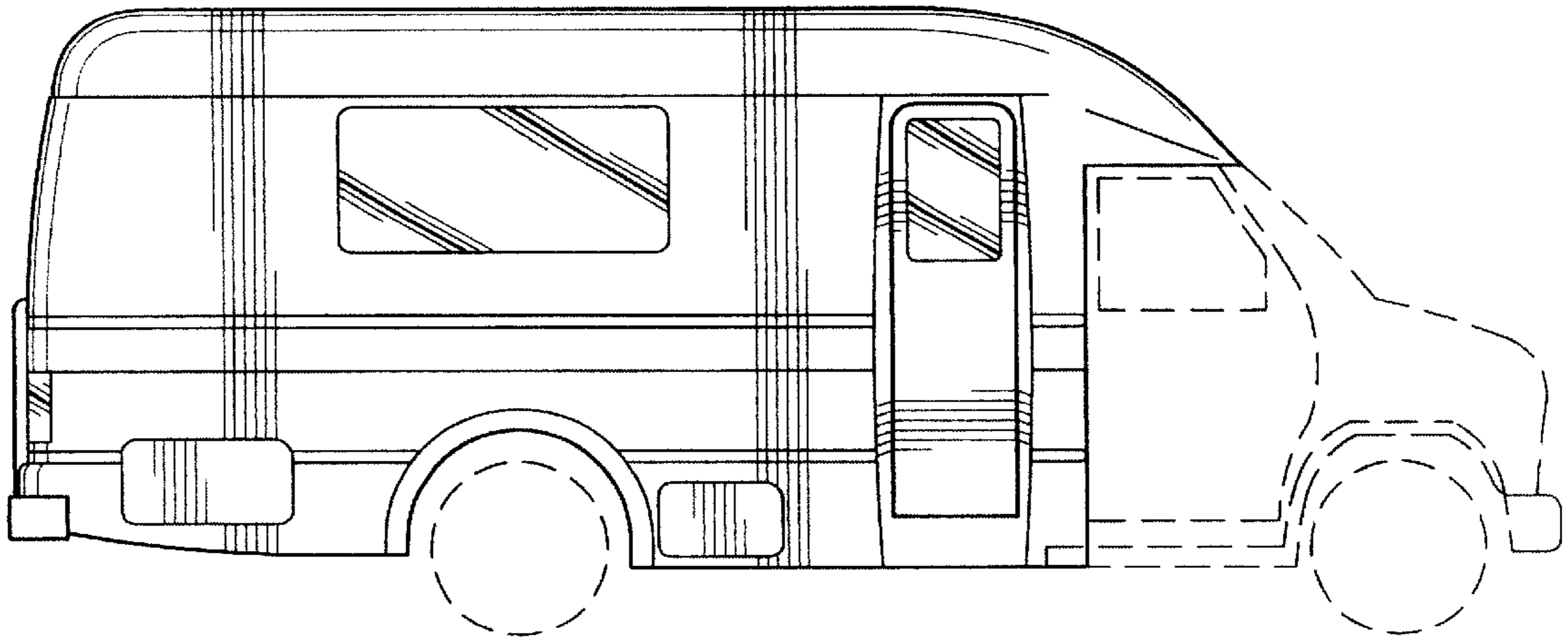


Fig-3

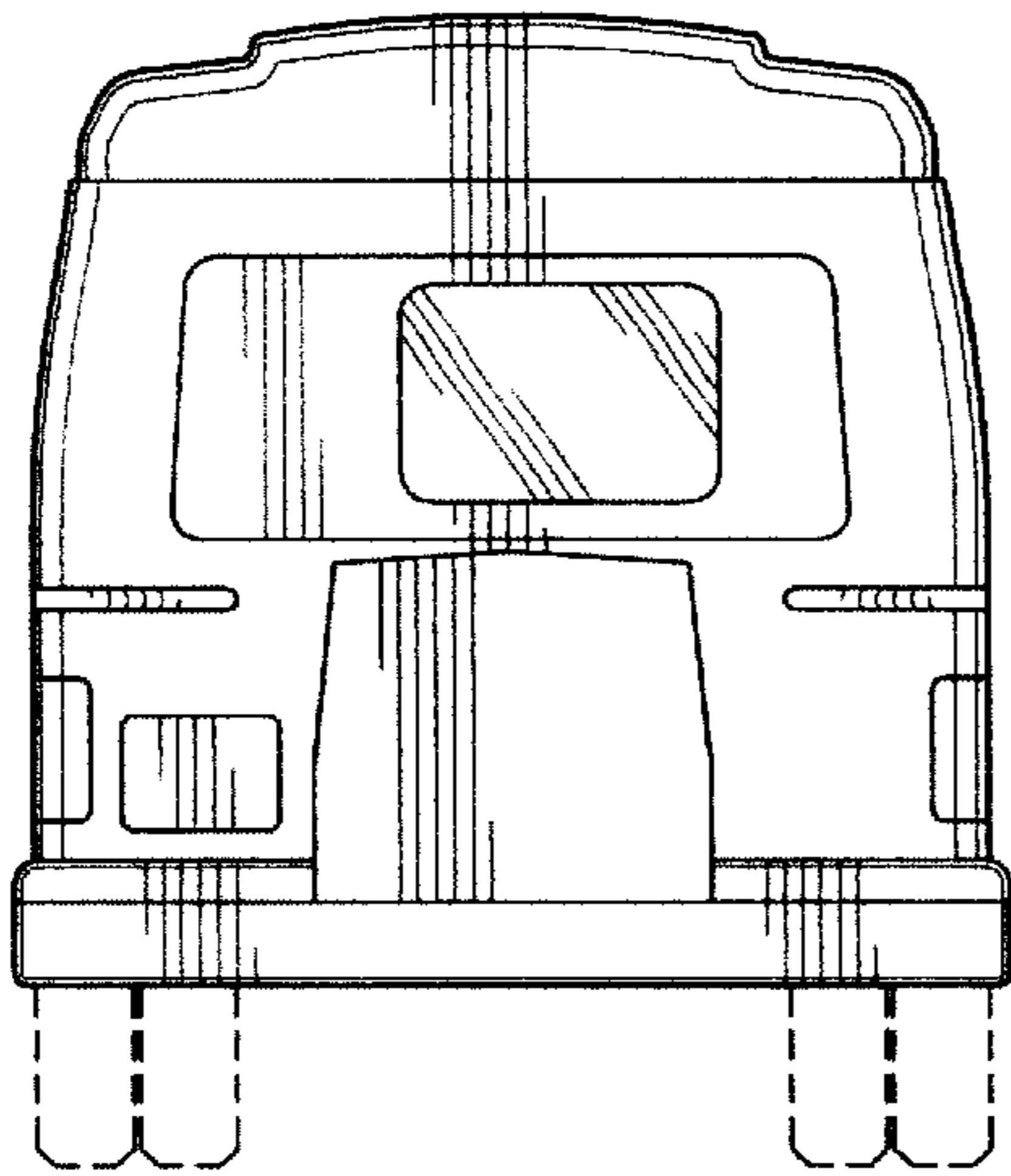


Fig-4

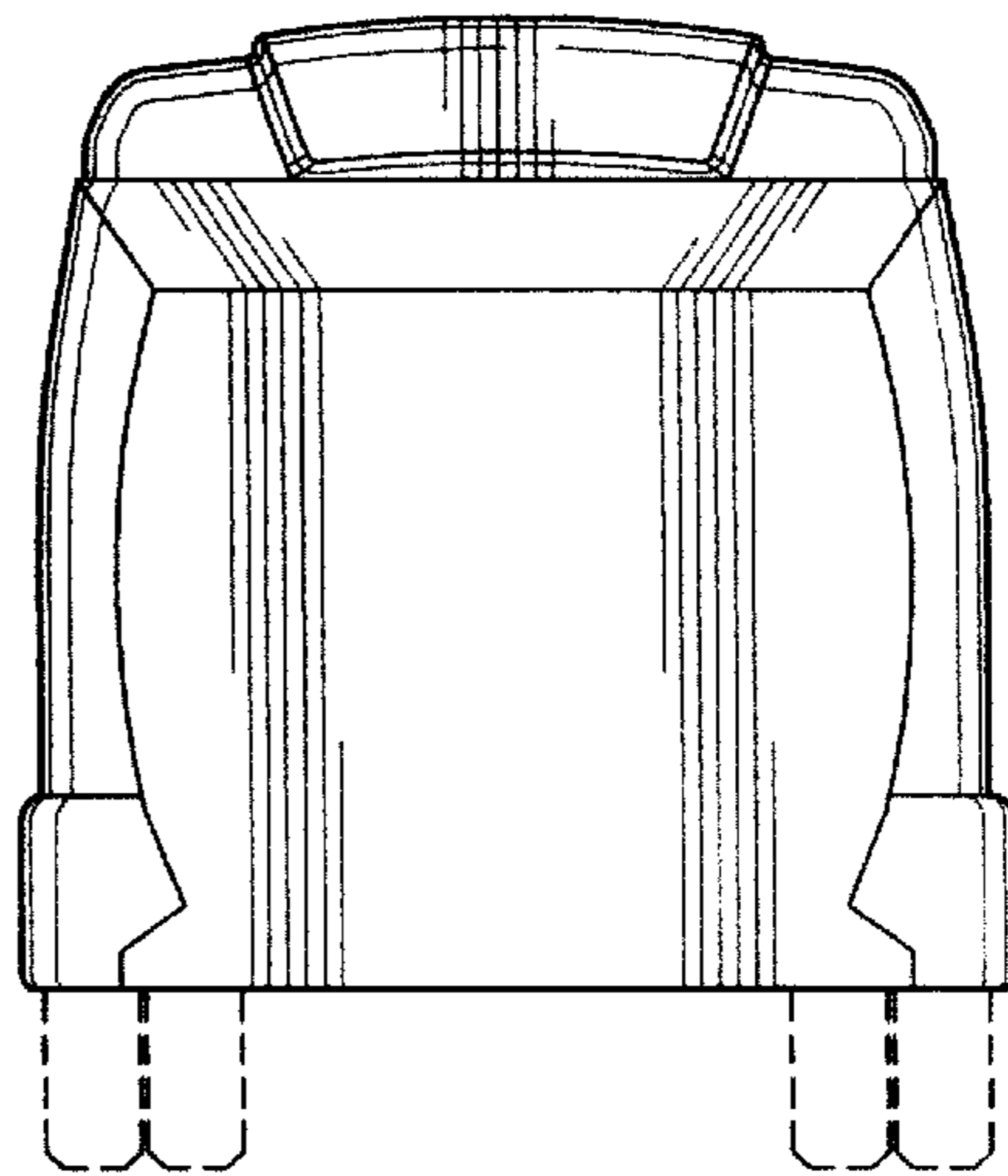


Fig-5

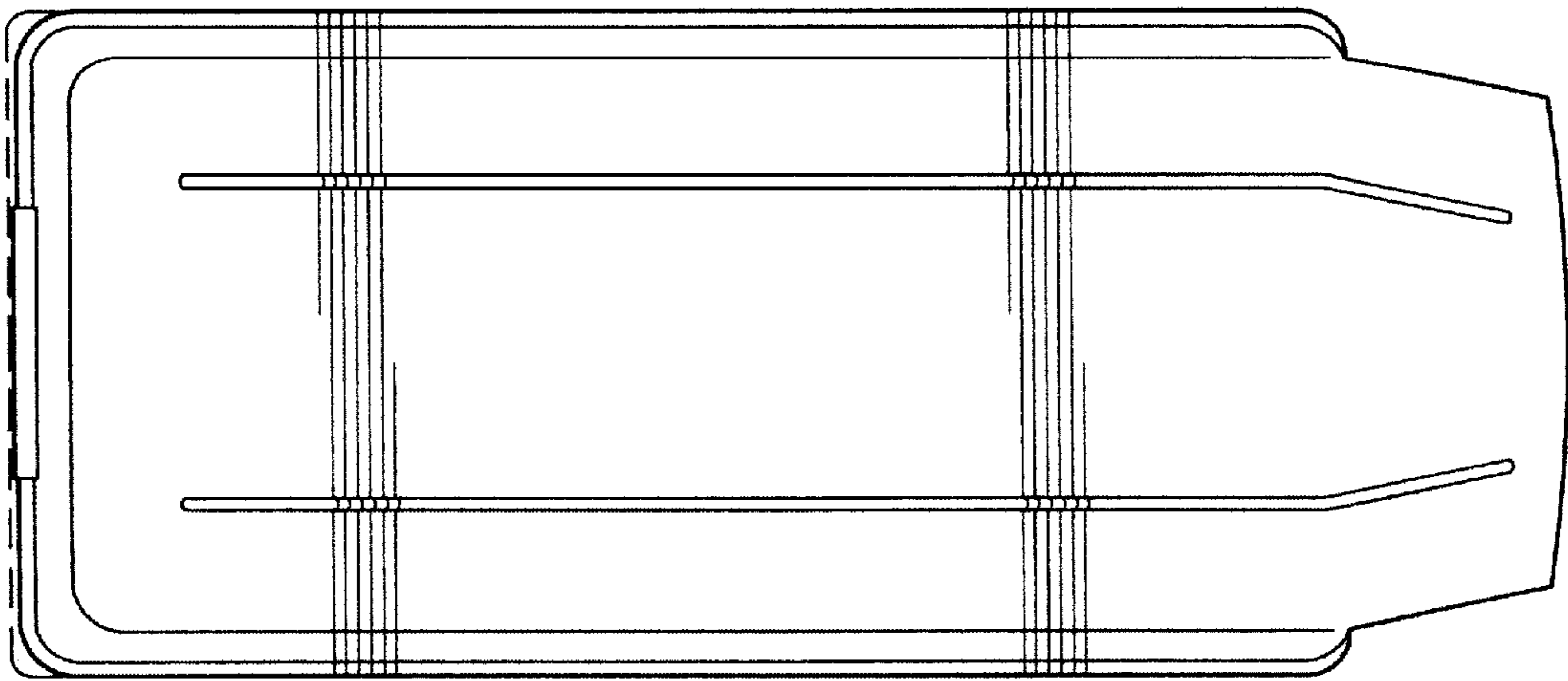


Fig-6