



US00D449789B1

(12) **United States Design Patent**
Gunji et al.

(10) **Patent No.:** **US D449,789 S**

(45) **Date of Patent:** **** Oct. 30, 2001**

(54) **SIGNAL INPUT AND OUTPUT UNIT**

D. 424,461 * 5/2000 Jaylor D10/104
D. 431,485 * 10/2000 Huang D10/104
D. 433,643 * 11/2000 Quick D10/104

(75) Inventors: **Ken Gunji; Kenji Irokawa**, both of Ibaraki-ken; **Koichi Katsumata**, Mitsukaido; **Emi Motegi**, Soka, all of (JP)

* cited by examiner

(73) Assignee: **SMC Kabushiki Kaisha**, Toyko (JP)

Primary Examiner—Marcus A. Jackson
(74) *Attorney, Agent, or Firm*—Frishauf, Holtz, Goodman, Langer & Chick, P.C.

(**) Term: **14 Years**

(21) Appl. No.: **29/127,584**

(22) Filed: **Aug. 9, 2000**

(30) **Foreign Application Priority Data**

Feb. 18, 2000 (JP) 12-002923

(51) **LOC (7) Cl.** **10-05**

(52) **U.S. Cl.** **D10/104**

(58) **Field of Search** D10/104, 106,
D10/116, 121; 340/321, 541, 542, 543,
544, 545, 556, 565, 566, 573, 586

(56) **References Cited**

U.S. PATENT DOCUMENTS

D. 418,074 * 12/1999 Hicks et al. D10/104

(57) **CLAIM**

The ornamental design for a signal input and output unit, as shown and described.

DESCRIPTION

FIG. 1 is a perspective view of a signal input and output unit showing our new design;
FIG. 2 is a front view thereof;
FIG. 3 is a rear view thereof;
FIG. 4 is a top plan view thereof;
FIG. 5 is a bottom plan view thereof; and,
FIG. 6 is a right side view thereof, the left side view being a mirror image of the right side view.

1 Claim, 6 Drawing Sheets

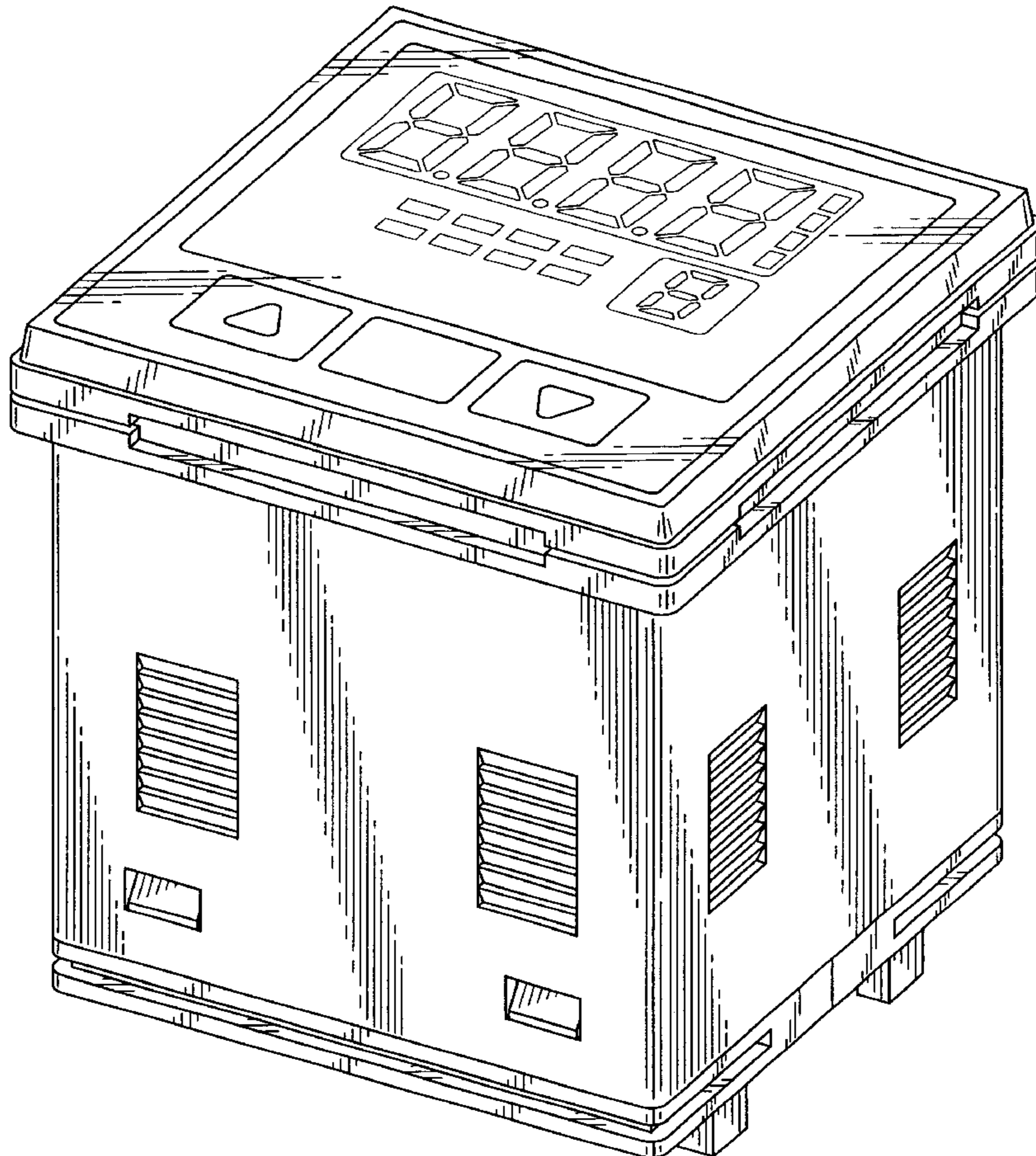


FIG. 1

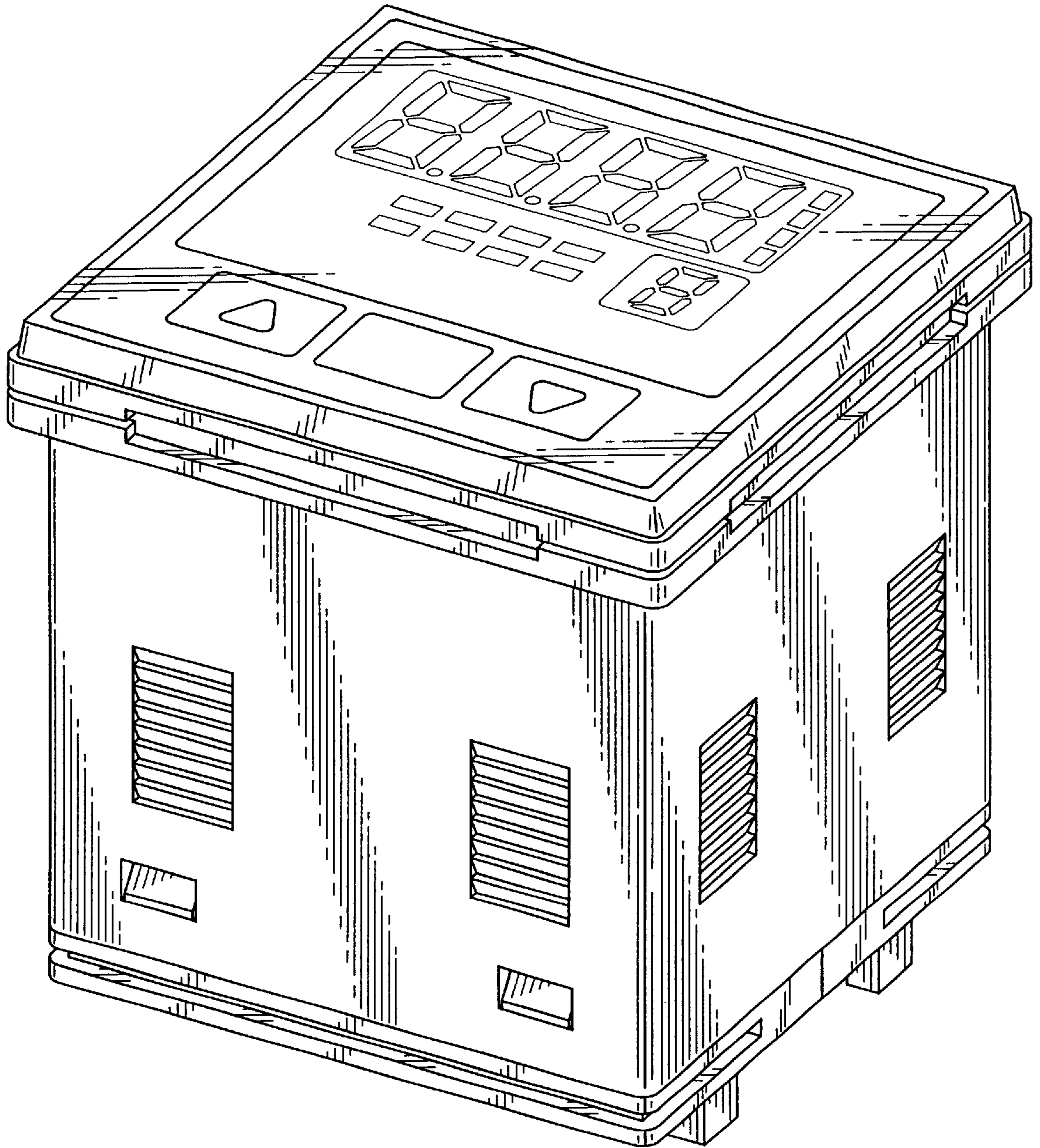


FIG. 2

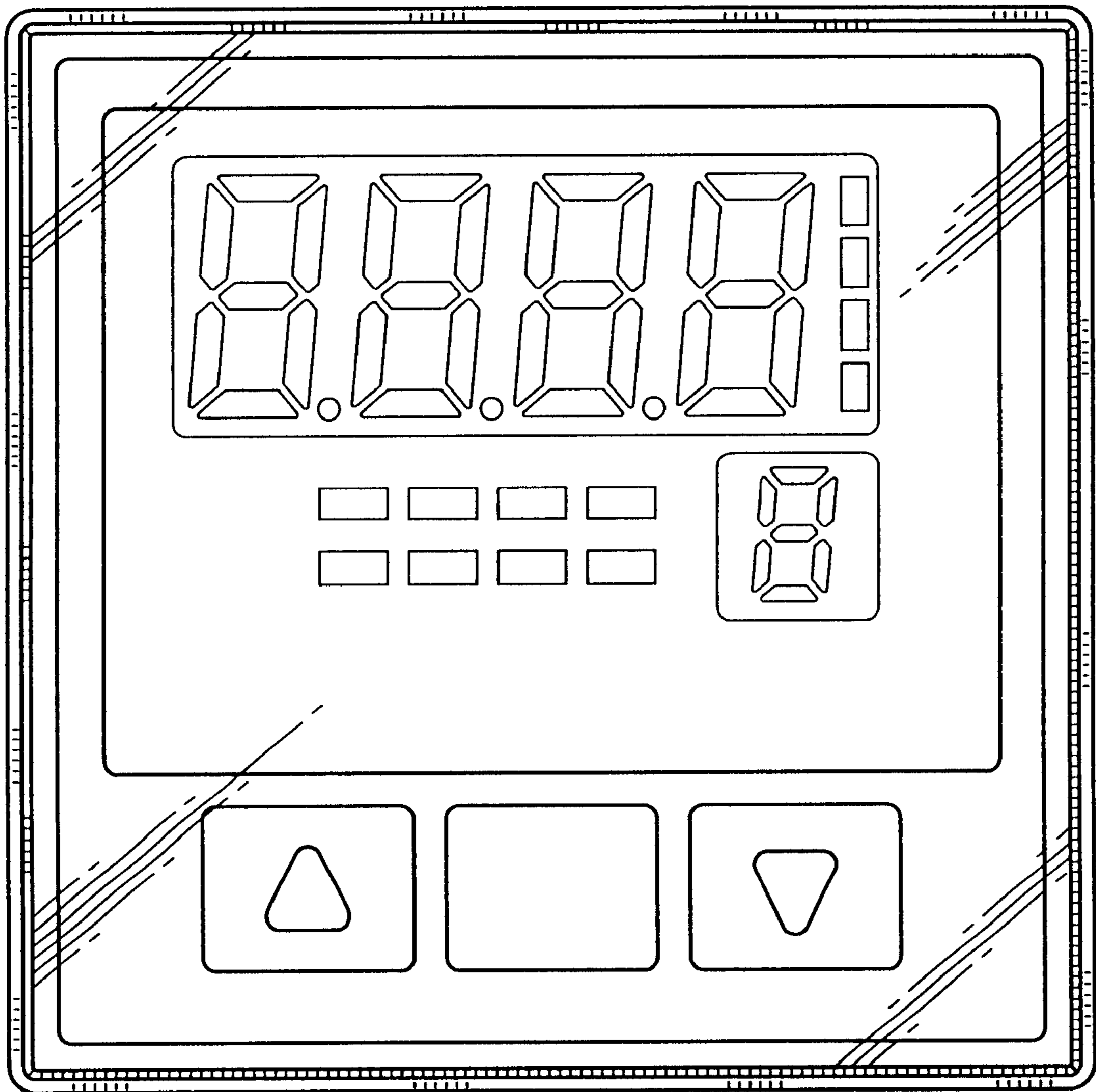


FIG. 3

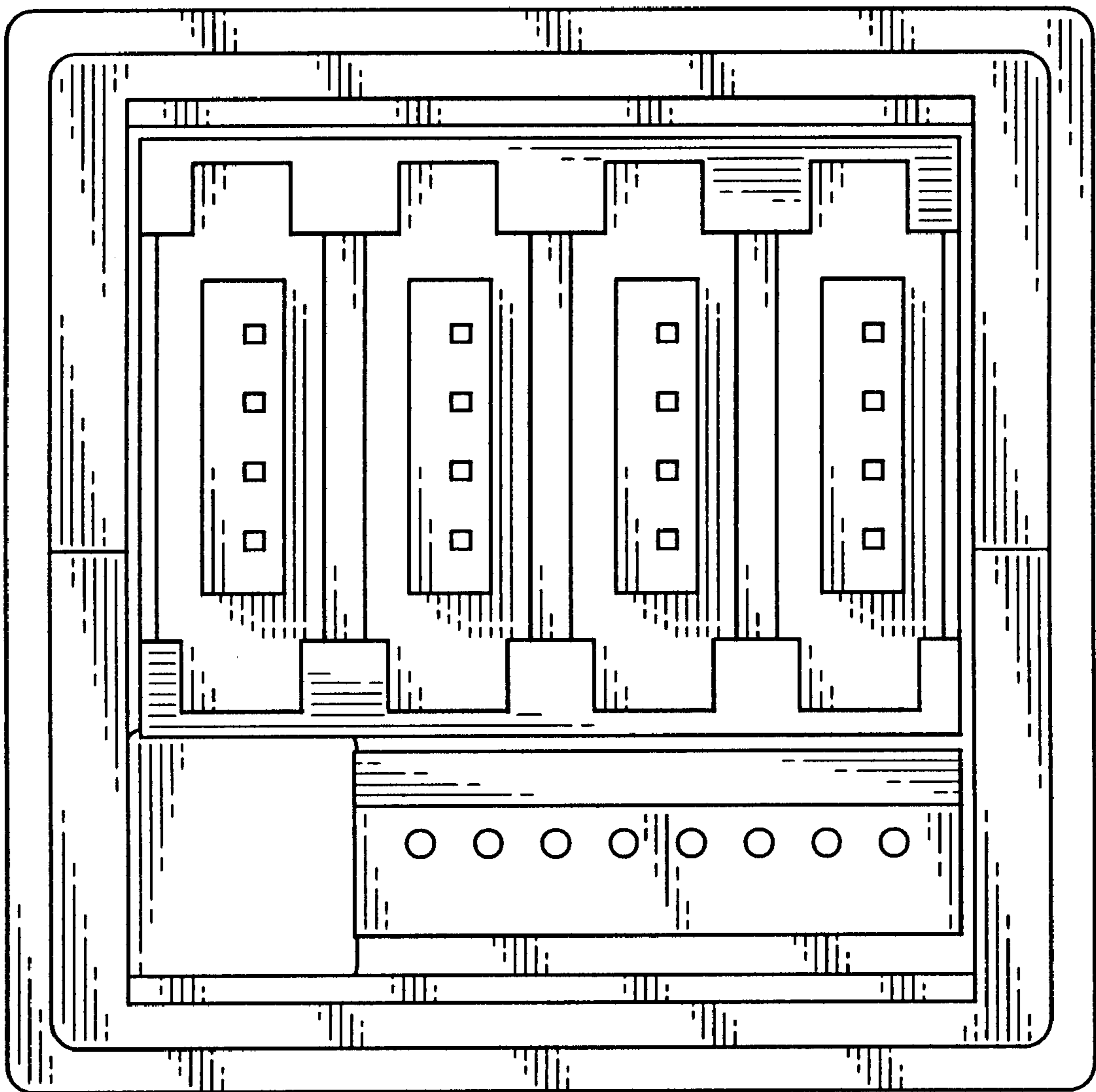


FIG. 4

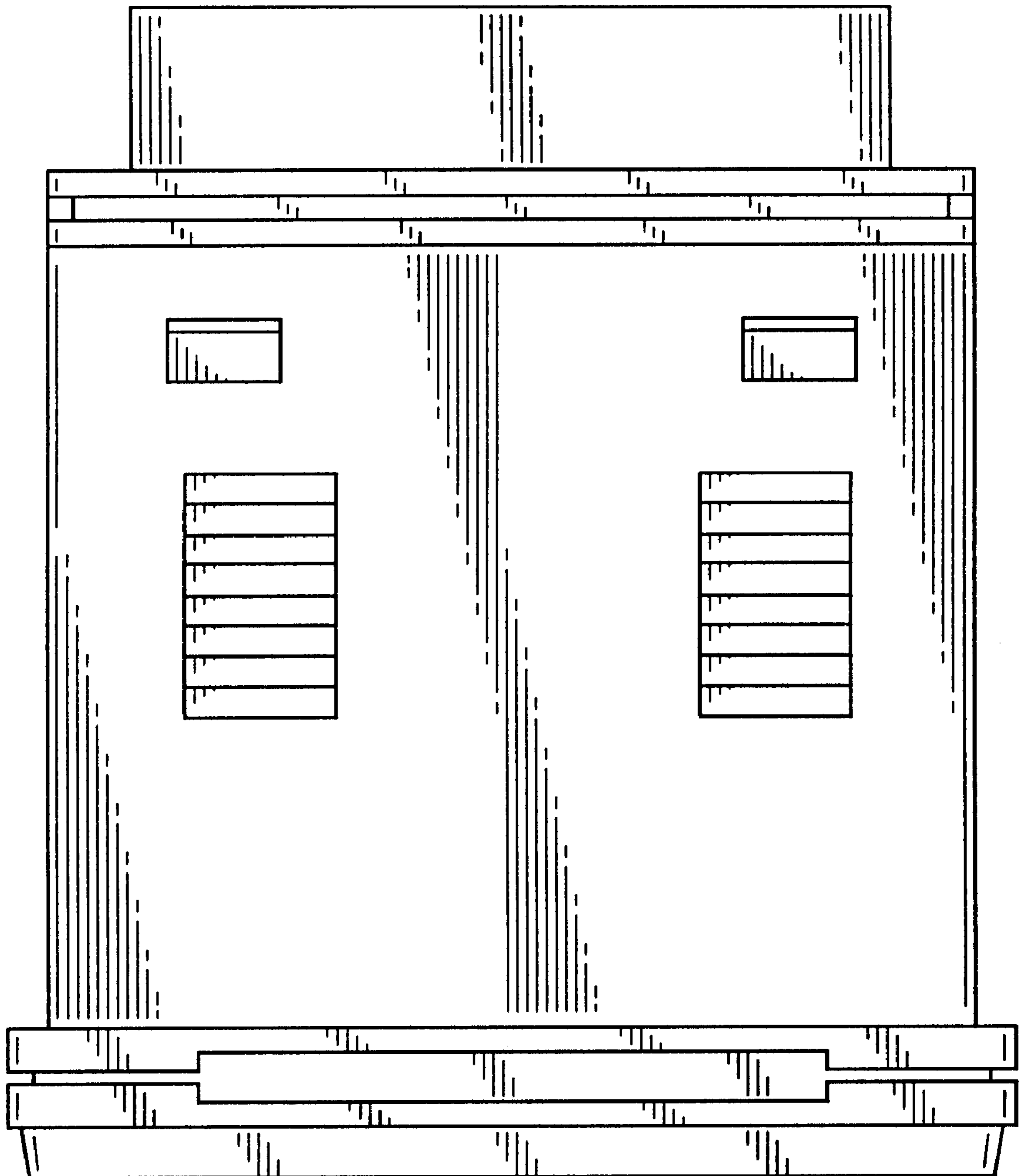


FIG. 5

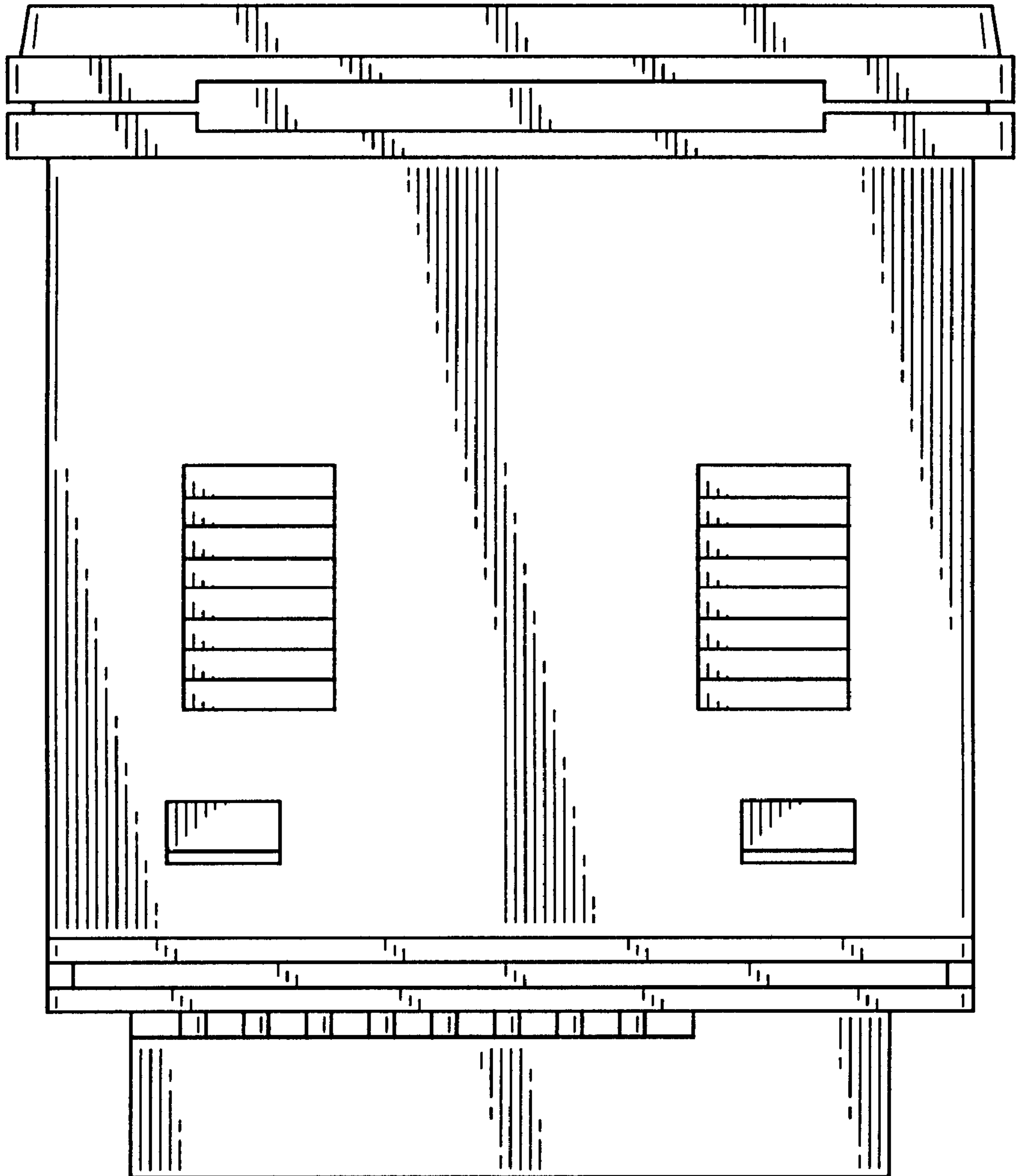


FIG. 6

