



US00D449788B1

(12) **United States Design Patent**  
**Lee**

(10) **Patent No.:** **US D449,788 S**

(45) **Date of Patent:** **\*\* Oct. 30, 2001**

(54) **BELT TENSION DEVICE SENSOR BAR**  
(75) Inventor: **Darren Lee**, Farmington Hills, MI (US)  
(73) Assignee: **Takata Kabushiki Kaisha**, Tokyo (JP)  
(\*\*) Term: **14 Years**

*Primary Examiner*—Antoine Duval Davis  
(74) *Attorney, Agent, or Firm*—Pillsbury Winthrop LLP

(57) **CLAIM**

The ornamental design for a belt tension device sensor bar, as shown and described.

(21) Appl. No.: **29/129,549**  
(22) Filed: **Sep. 18, 2000**  
(51) **LOC (7) Cl.** ..... **10-04**  
(52) **U.S. Cl.** ..... **D10/83**  
(58) **Field of Search** ..... D10/83; 701/45;  
280/801.1, 804, 805, 806, 808; 324/200,  
207.13, 207.21; 24/303, 642

**DESCRIPTION**

FIG. 1 is a top, front and right side perspective view of a belt tension device sensor bar showing my new design,  
FIG. 2 is a front elevational view thereof,  
FIG. 3 is a top plan view thereof,  
FIG. 4 is a bottom plan view thereof,  
FIG. 5 is a right side elevational view thereof; and,  
FIG. 6 is a left side elevational view thereof.  
The rear elevational view is a mirror image of the top plan view.

(56) **References Cited**  
**U.S. PATENT DOCUMENTS**  
6,209,915 \* 4/2001 Blakesley ..... 280/801.1  
6,230,088 \* 5/2001 Husby ..... 701/45

\* cited by examiner

**1 Claim, 2 Drawing Sheets**

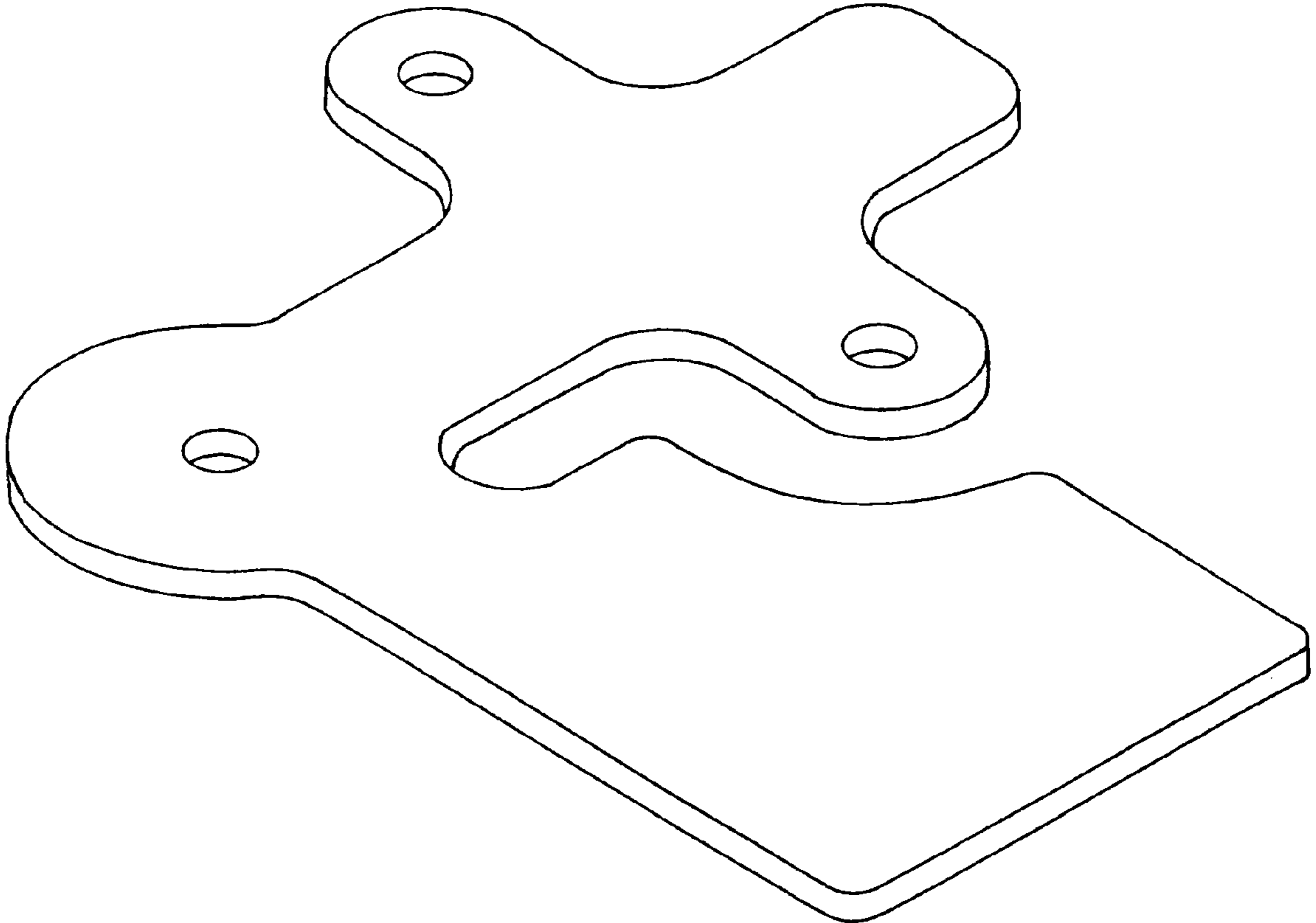


Fig. 1

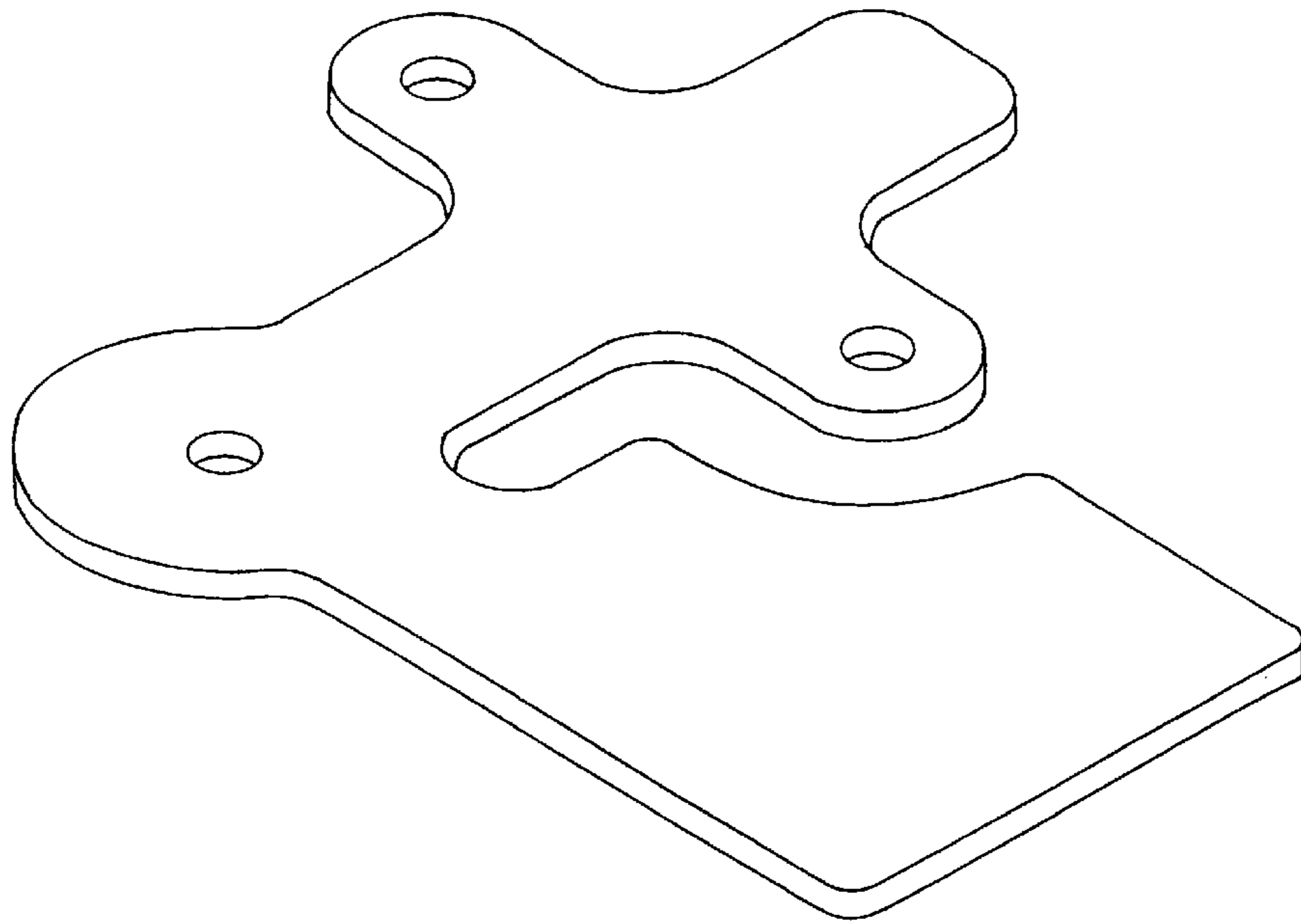


Fig. 2

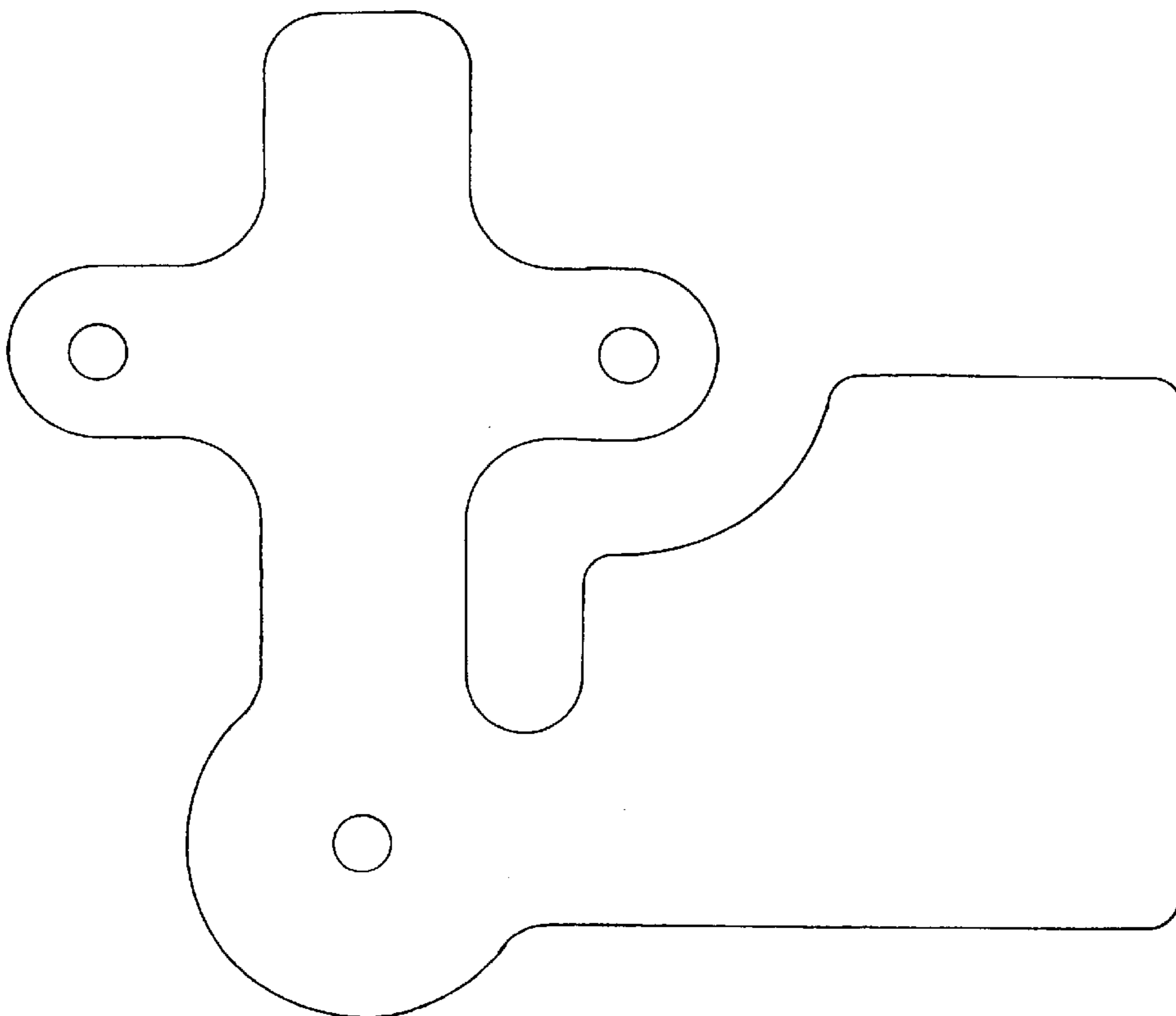


Fig. 3



Fig. 4

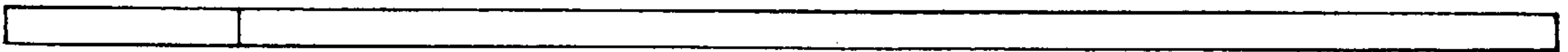


Fig. 5

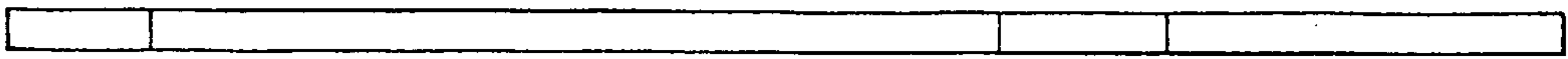


Fig. 6

