



US00D449783B1

(12) **United States Design Patent**
Crawford et al.

(10) **Patent No.:** **US D449,783 S**

(45) **Date of Patent:** **** Oct. 30, 2001**

(54) **CLOSURE**

(75) **Inventors:** **John C. Crawford**, Mahopac, NY
(US); **Patrick Calello**, Roseland, NJ
(US)

(73) **Assignee:** **Colgate-Palmolive Company**, New
York, NY (US)

(**) **Term:** **14 Years**

(21) **Appl. No.:** **29/123,734**

(22) **Filed:** **May 24, 2000**

(51) **LOC (7) Cl.** **09-07**

(52) **U.S. Cl.** **D9/453; D9/439**

(58) **Field of Search** D9/435, 439, 443,
D9/452, 453, 454; 215/316, 328, 355; 220/288,
376

(56) **References Cited**

U.S. PATENT DOCUMENTS

H803	*	8/1990	Sherrington	D9/453
D. 240,716	*	7/1976	Hegi	D9/440
D. 325,167	*	4/1992	Humfress	D9/575
D. 381,911	*	8/1997	Lathrop et al.	D9/453
D. 382,482	*	8/1997	Lathrop et al.	D9/453
D. 390,466	*	2/1998	Mao	D9/454

D. 398,852	*	9/1998	Gross	D9/453
D. 418,419	*	1/2000	Briere et al.	D9/453
D. 421,223	*	2/2000	Briere et al.	D9/453
D. 421,389	*	3/2000	Briere et al.	D9/453
D. 426,159	*	6/2000	Briere et al.	D9/453
3,904,062	*	9/1975	Grussen	215/252
4,423,821	*	1/1984	McIntosh	215/329
4,802,597		2/1989	Dubach	.	
5,129,530	*	7/1992	Fuchs	215/252
5,431,306		7/1995	Reid	.	
5,836,466	*	11/1998	Briere et al.	215/216
5,875,907	*	3/1999	Lay	215/253

* cited by examiner

Primary Examiner—Cathron Brooks

(74) *Attorney, Agent, or Firm*—Michael J. McGreal

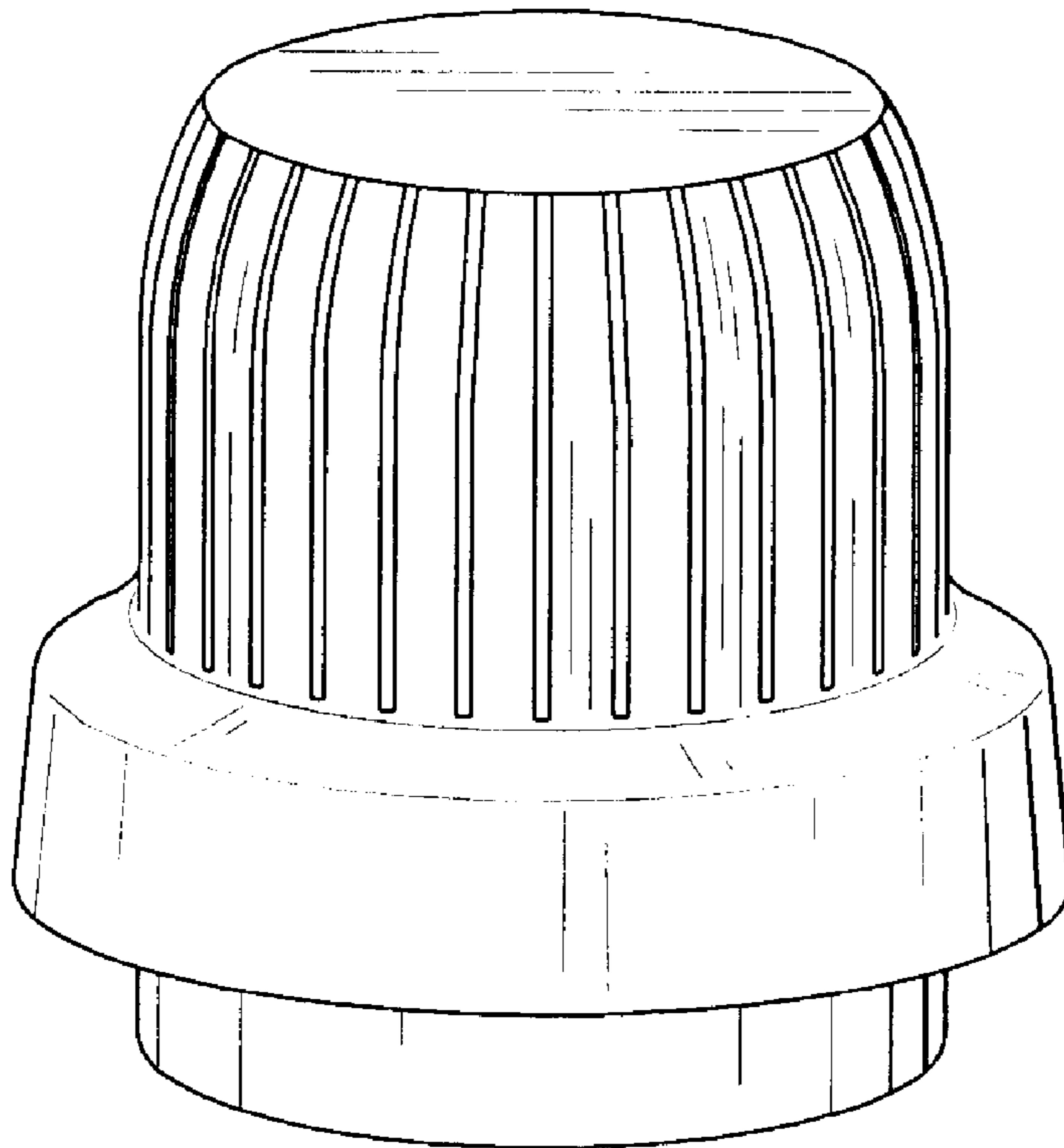
(57) **CLAIM**

The ornamental design for a closure, as shown and described.

DESCRIPTION

FIG. 1 is a perspective view of the closure of our design.
FIG. 2 is a side elevation view thereof.
FIG. 3 is a top plan view thereof; and,
FIG. 4 is a bottom plan view thereof.

1 Claim, 2 Drawing Sheets



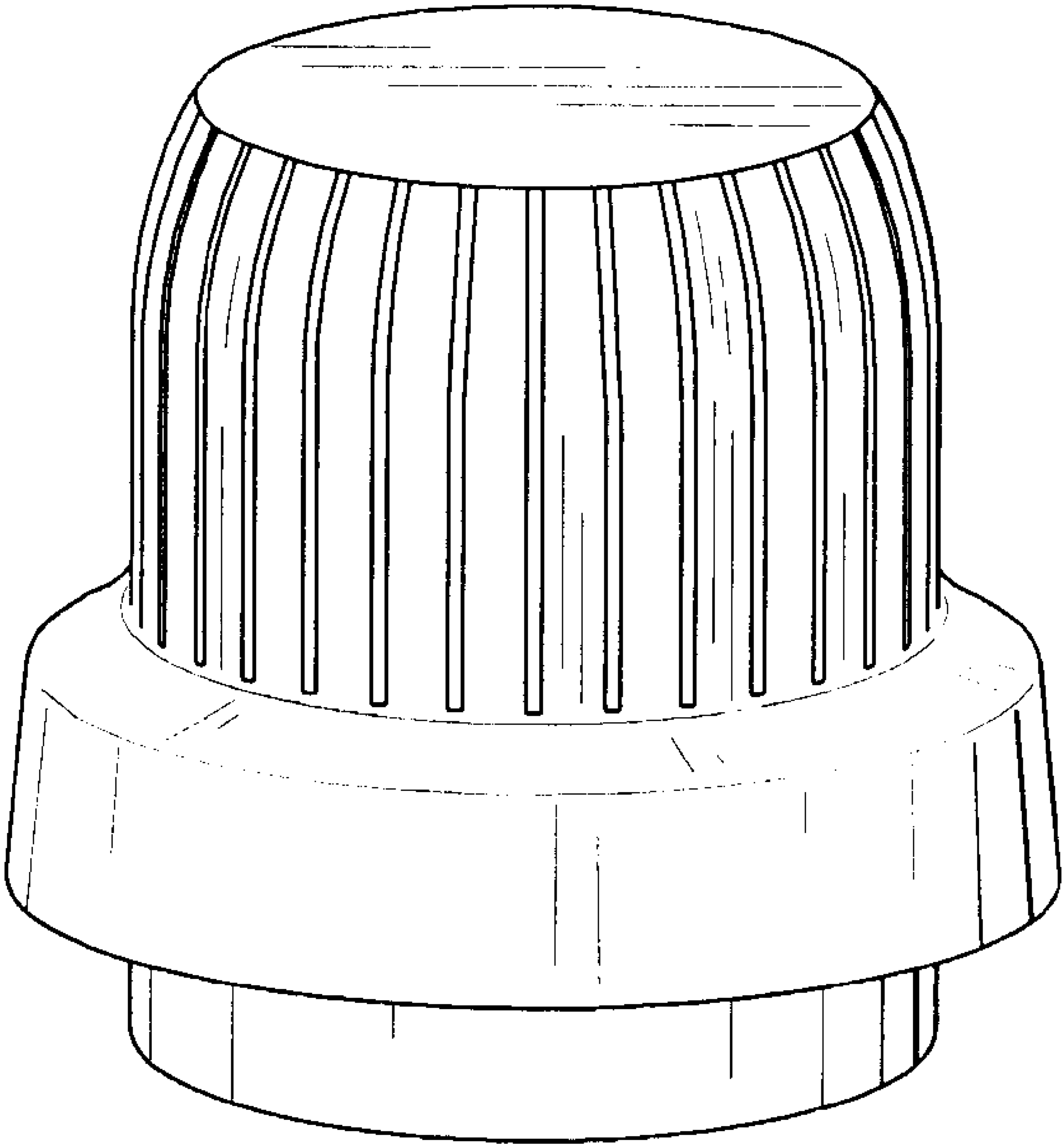


FIG. 1

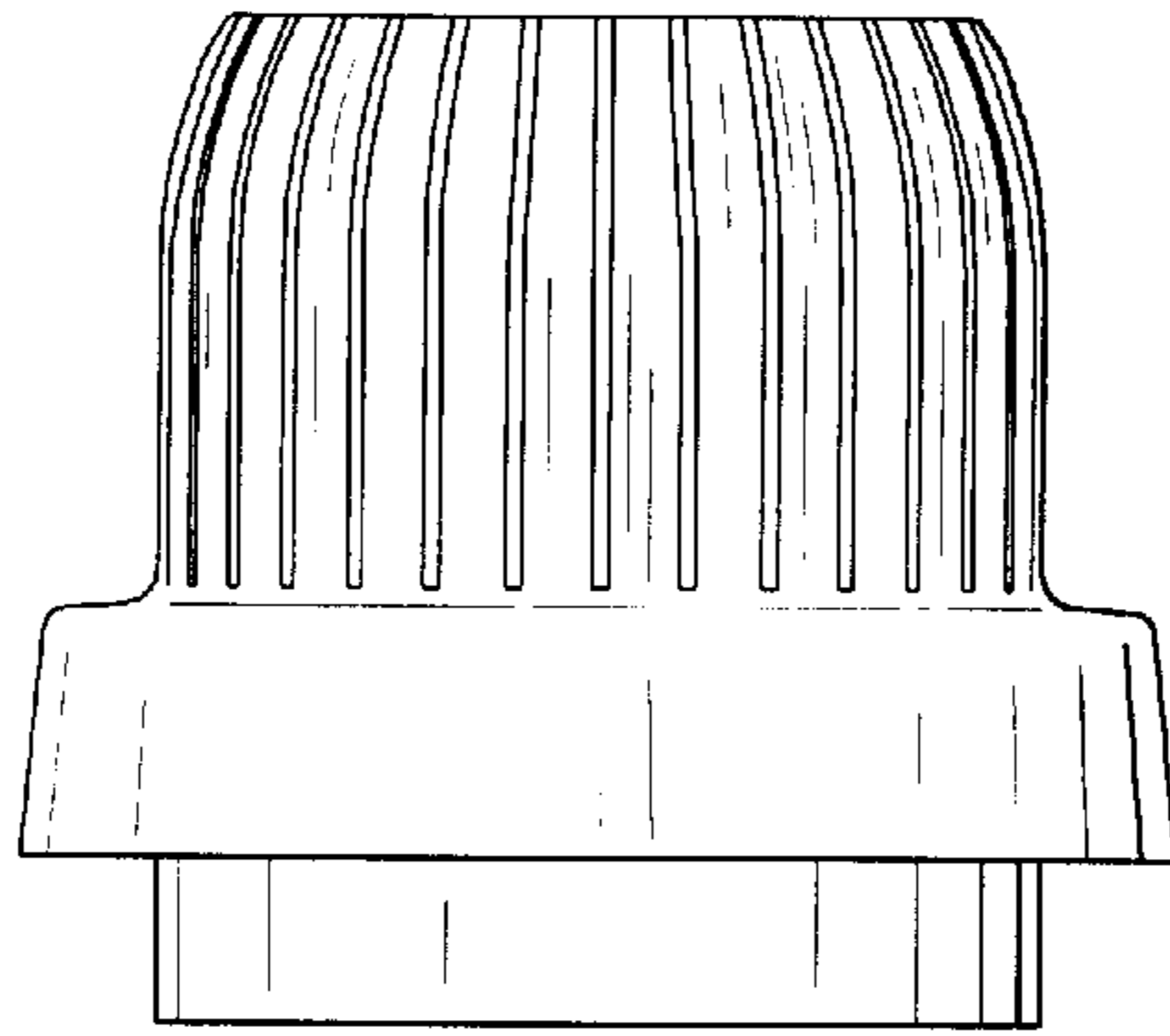


FIG. 2

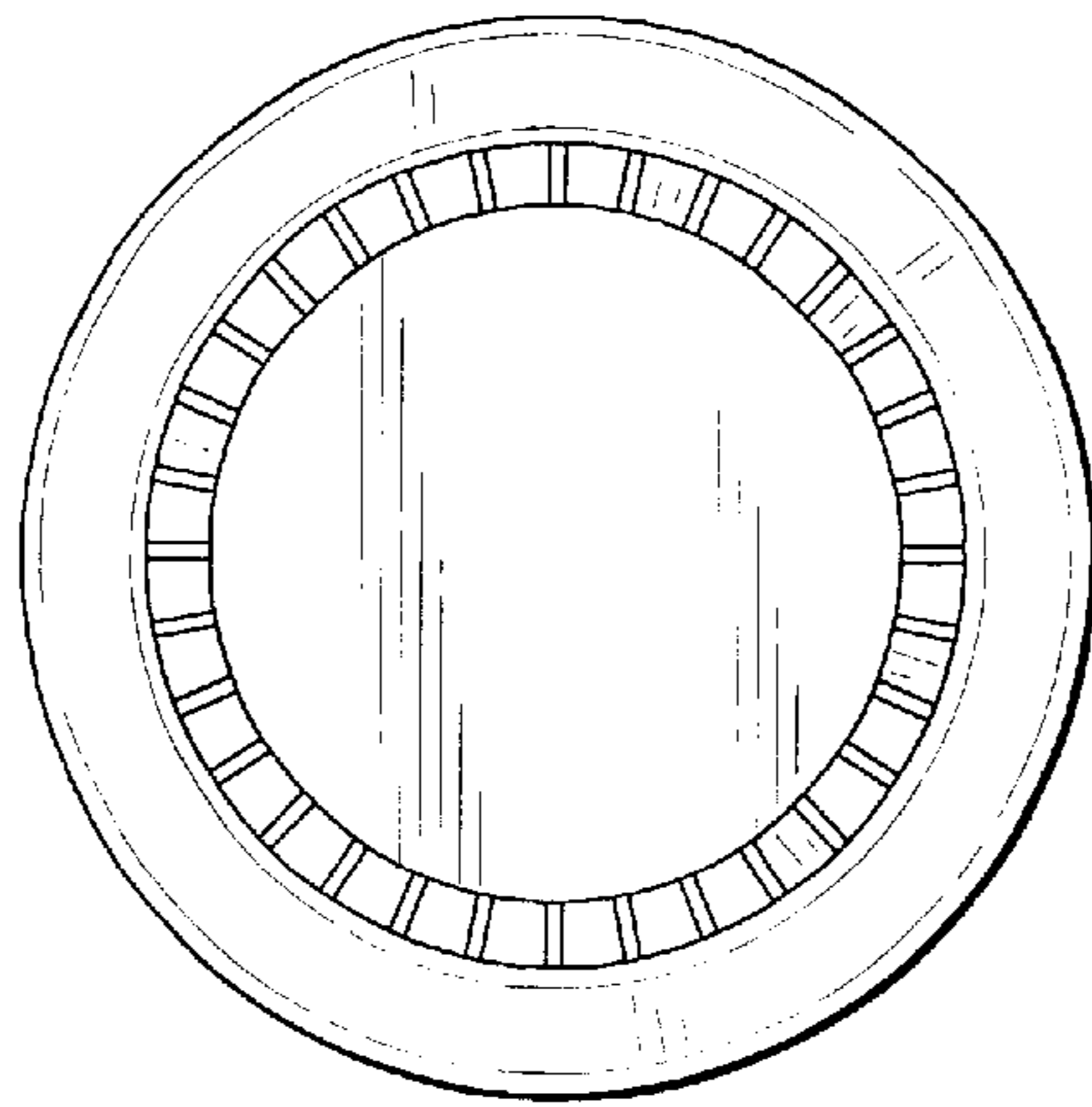


FIG. 3

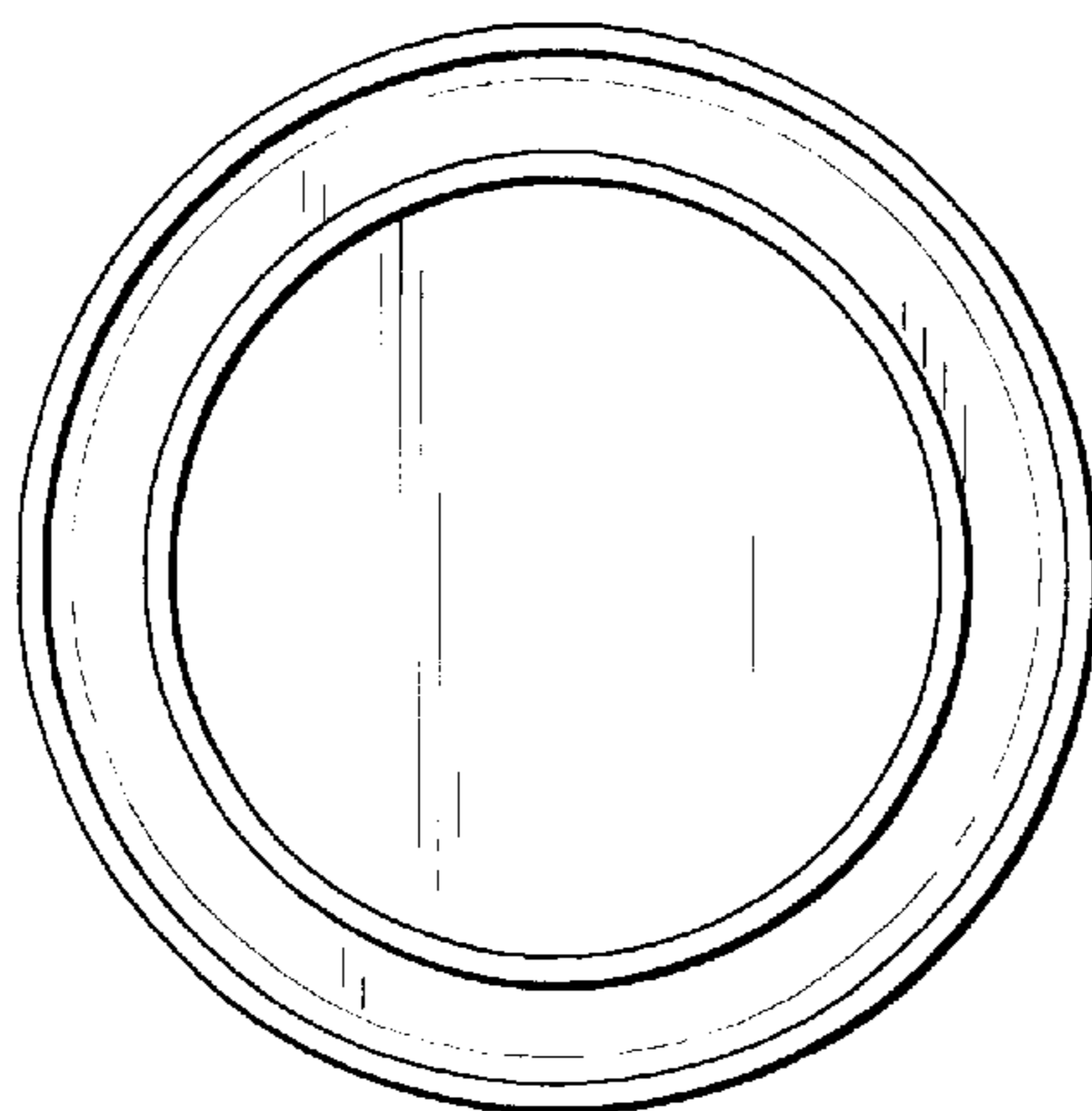


FIG. 4