



US00D449782B1

(12) **United States Design Patent**  
**Diaz**

(10) **Patent No.:** **US D449,782 S**

(45) **Date of Patent:** **\*\* Oct. 30, 2001**

(54) **CHEWING GUM BOX**

(76) **Inventor:** **Cindy L. Diaz**, 6742 S. 2300 East, Salt Lake City, UT (US) 84121

(\*\*) **Term:** **14 Years**

(21) **Appl. No.:** **29/128,251**

(22) **Filed:** **Aug. 22, 2000**

(51) **LOC (7) Cl.** ..... **09-03**

(52) **U.S. Cl.** ..... **D9/423; D9/424; D9/432**

(58) **Field of Search** ..... **D9/420-424, 432, D9/414, 337, 417; D27/186-189, 172; 206/265, 268, 270, 800, 530, 533; 229/160.1, 87.07, 406, 800, 182.1**

(56) **References Cited**

**U.S. PATENT DOCUMENTS**

- D. 364,344 \* 11/1995 Shaw ..... D9/421
- D. 386,001 \* 11/1997 Saffran ..... D9/423
- D. 397,247 \* 8/1998 Gardner et al. .... D9/417

- 969,329 \* 9/1910 Blake ..... 206/38
- 2,988,209 \* 6/1961 Parrilla ..... 206/800 X
- 4,538,731 \* 9/1985 Cillario ..... 206/540
- 4,948,038 \* 8/1990 Moeller ..... 229/160.1
- 5,353,956 \* 10/1994 Wilson ..... 206/800 X
- 5,636,732 \* 6/1997 Gilels et al. .... 206/800 X

\* cited by examiner

*Primary Examiner*—Prabhakar Deshmukh

(74) *Attorney, Agent, or Firm*—Brian C. Trask

(57) **CLAIM**

The ornamental design for a chewing gum box, as shown and described.

**DESCRIPTION**

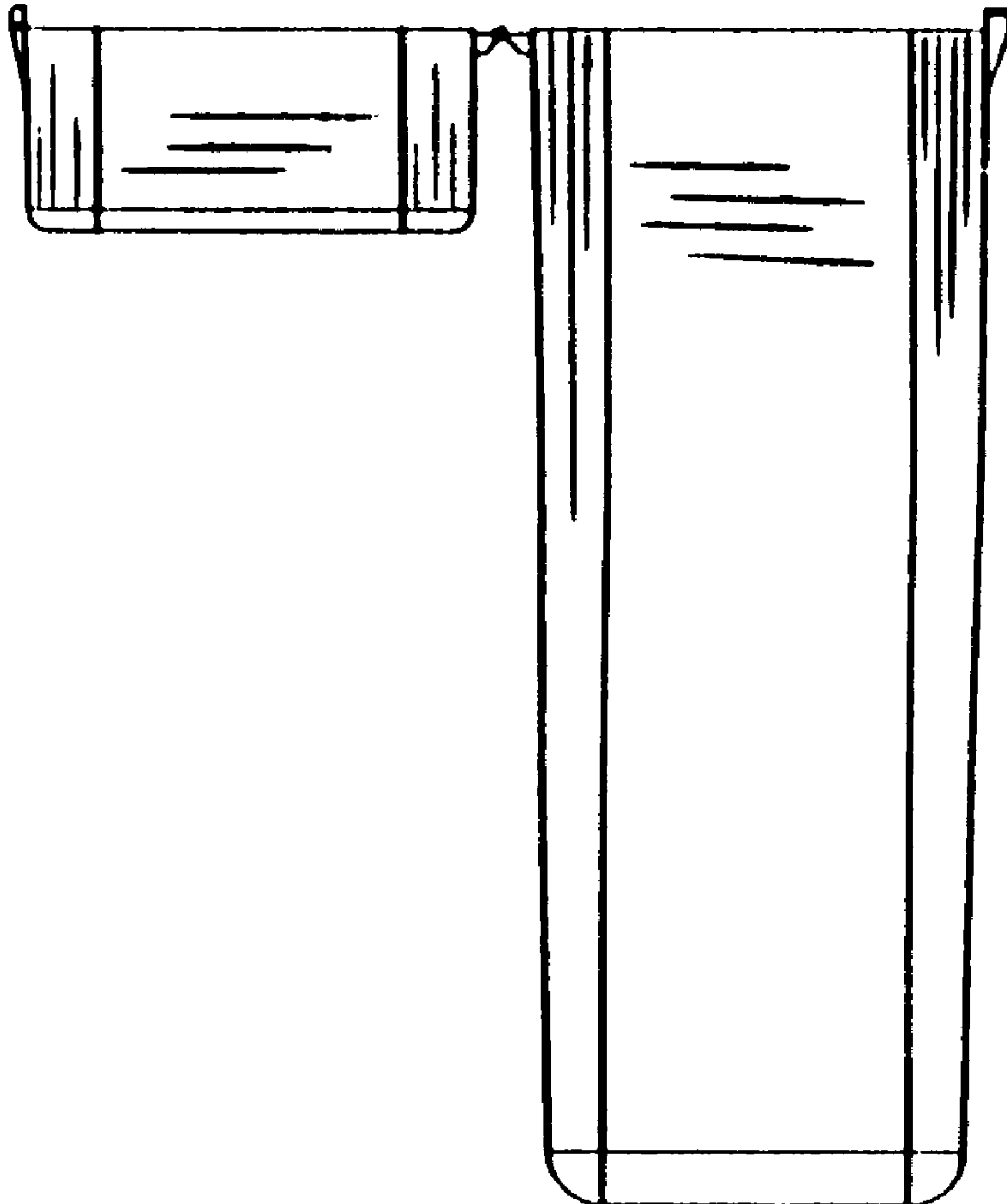
FIG. 1 is a left side view of my chewing gum box design with the lid open;

FIG. 2 is a top view of thereof;

FIG. 3 is a perspective view thereof; and,

FIG. 4 is a rear view thereof.

**1 Claim, 1 Drawing Sheet**



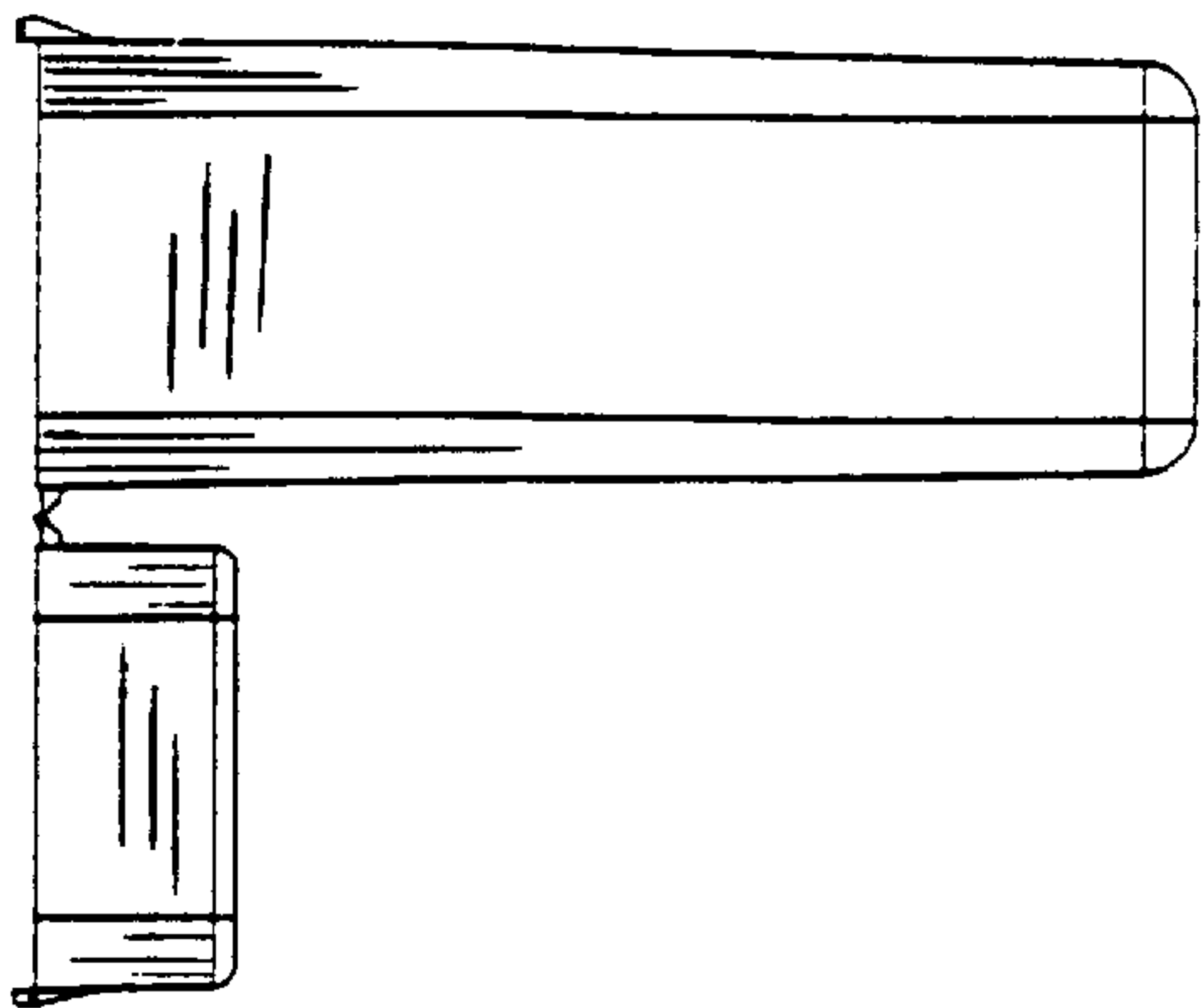


FIGURE 1

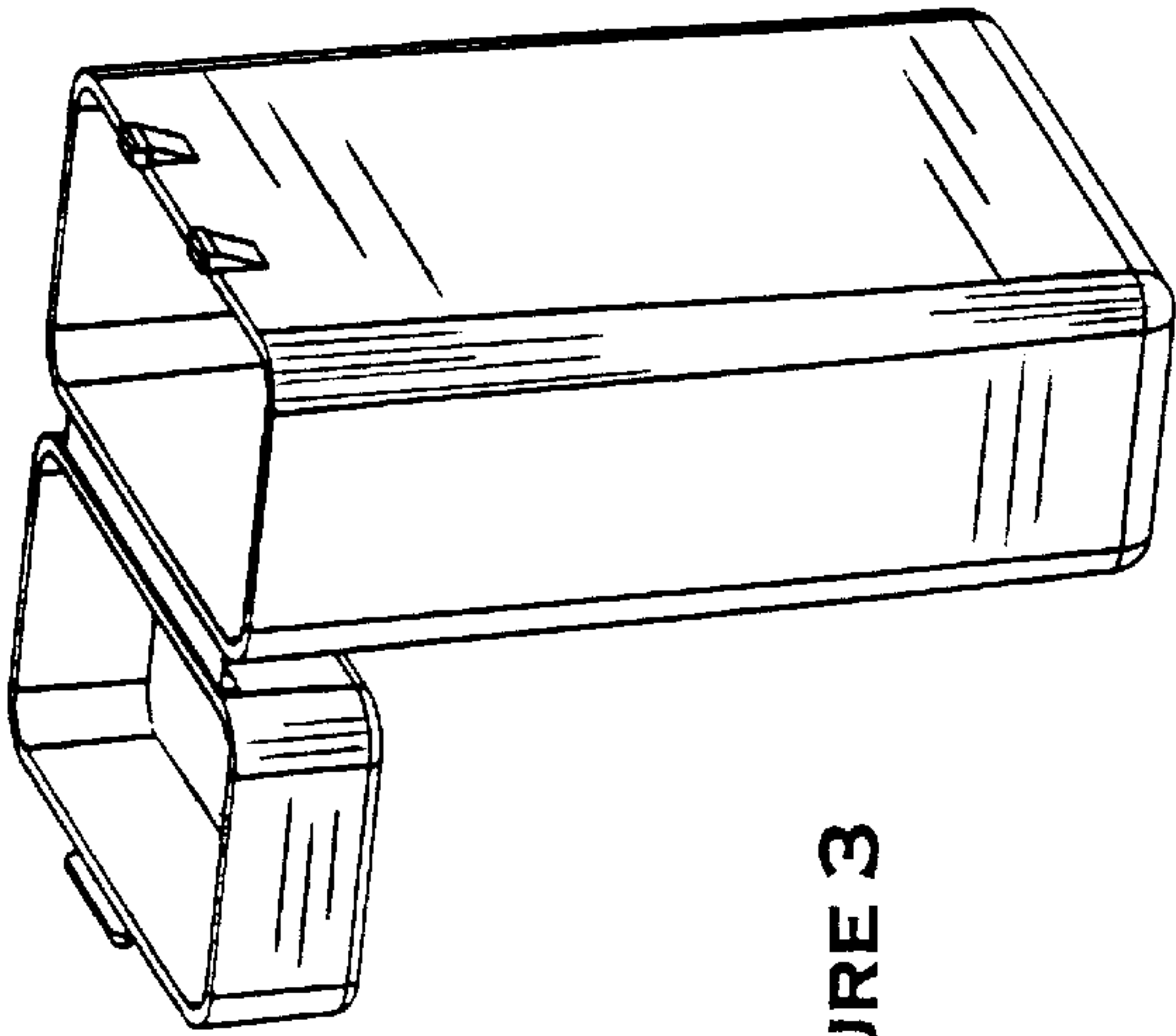


FIGURE 3

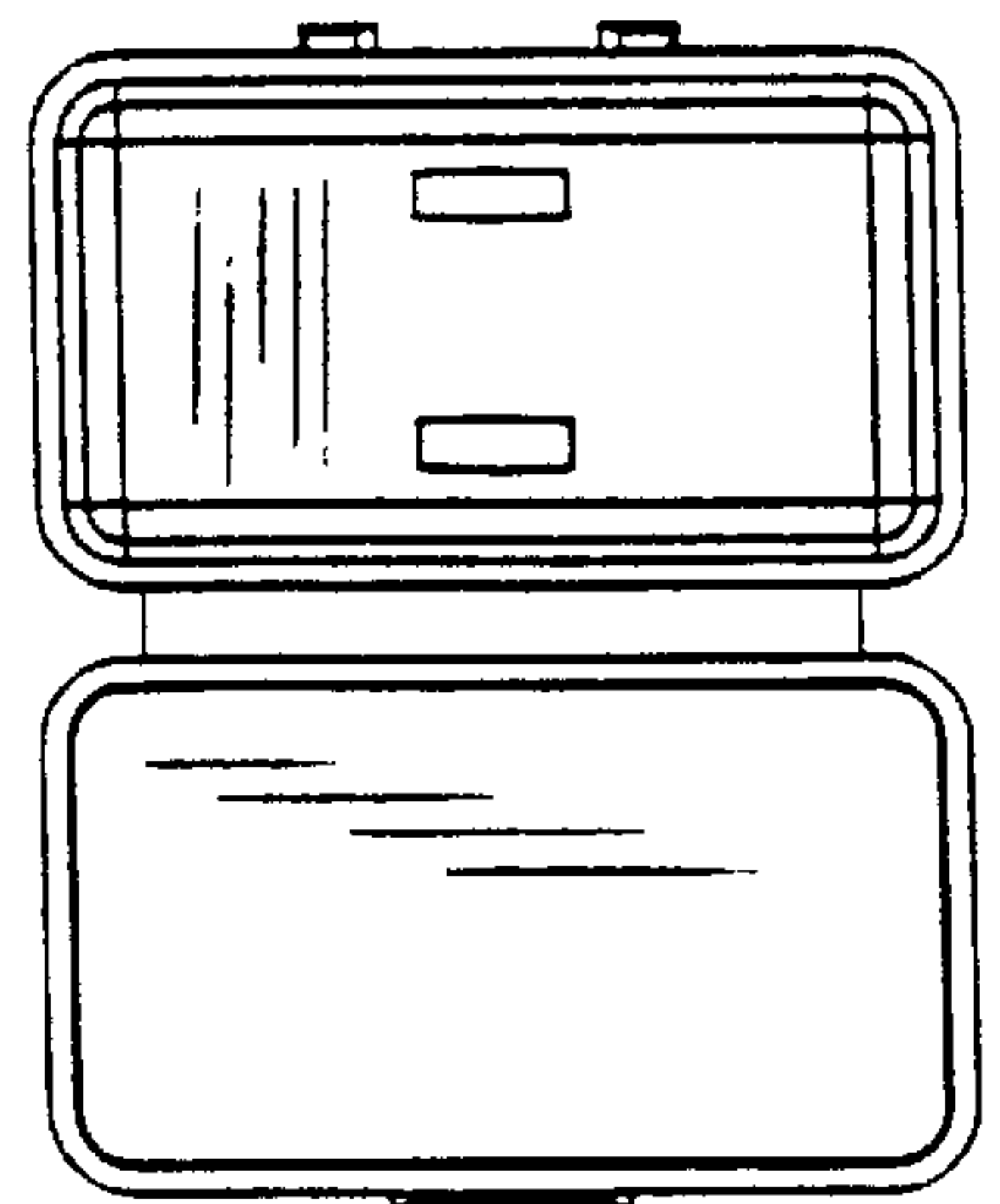


FIGURE 2

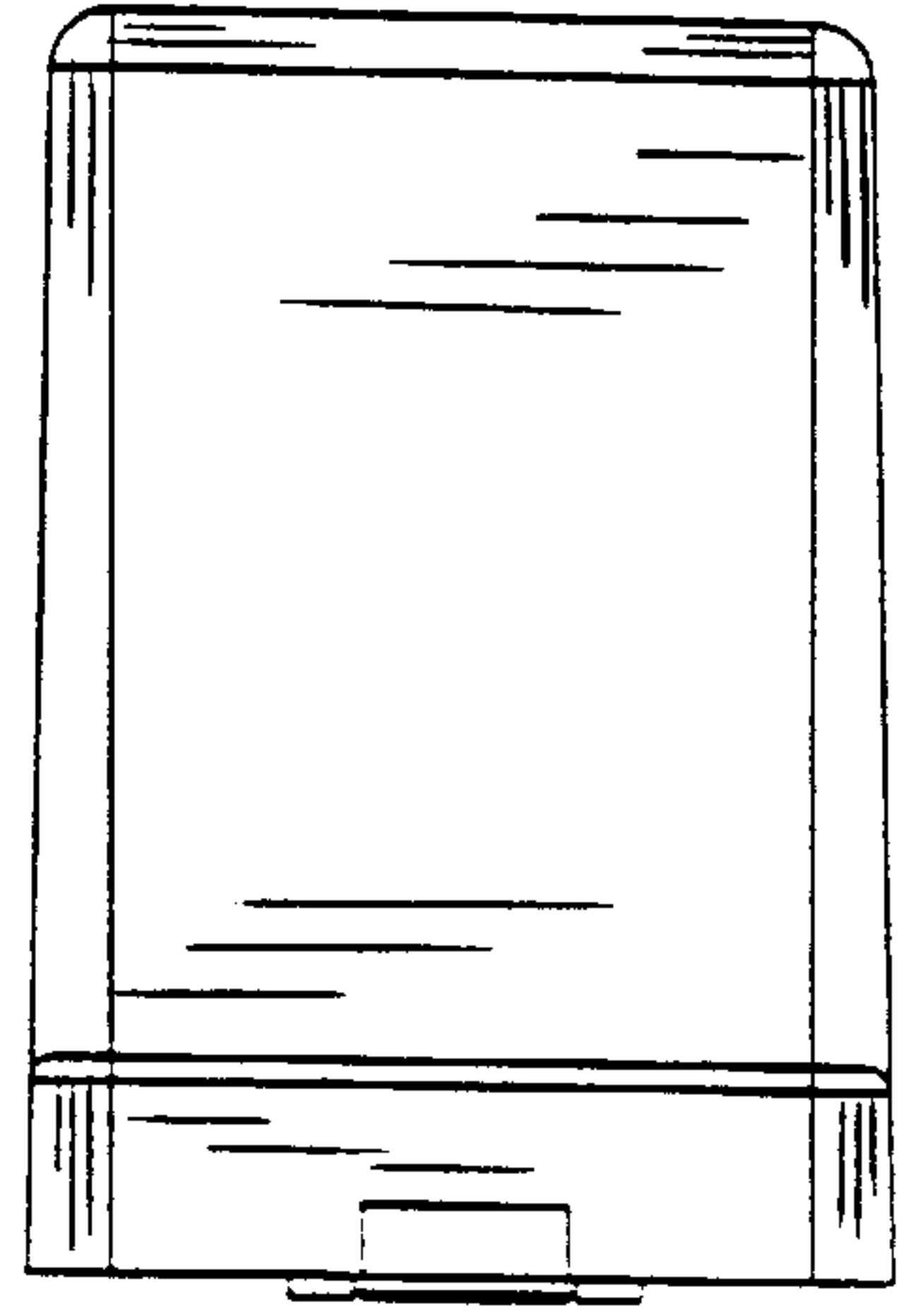


FIGURE 4