



US00D449781B1

(12) **United States Design Patent**  
**Törnqvist**

(10) **Patent No.:** **US D449,781 S**

(45) **Date of Patent:** **\*\* Oct. 30, 2001**

(54) **TRANSPORT BOX**

(76) Inventor: **Peder Törnqvist**, Box 4126, S-421 04  
Västra Frölunda (SE)

(\*\*) Term: **14 Years**

(21) Appl. No.: **29/124,621**

(22) Filed: **Jun. 8, 2000**

(30) **Foreign Application Priority Data**

Dec. 8, 1999 (DE) ..... 499 11 704

(51) **LOC (7) Cl.** ..... **09-03**

(52) **U.S. Cl.** ..... **D9/417; D9/432; D9/420;**  
229/149; 229/150; 229/154; 229/117.21

(58) **Field of Search** ..... D9/416, 417, 414,  
D9/432; 229/143, 149, 150, 154, 117.21,  
104, 249, 244, 212

(56) **References Cited**

**U.S. PATENT DOCUMENTS**

D. 115,668	*	7/1939	Fageol	.....	D9/417
D. 163,132	*	5/1951	Muller-Munk	.....	D9/416
1,046,321	*	12/1912	Morrison et al.	.....	229/104
1,964,305	*	6/1934	Troyk	.....	229/104
2,218,670	*	10/1940	Bennett	.....	229/212
2,775,386	*	12/1956	Cannon	.....	229/117.21
3,384,292	*	5/1968	Hidding	.....	229/249
4,388,993	*	6/1983	Lavery	.....	229/244
4,620,666	*	11/1986	Lacass et al.	.....	229/154
5,358,172	*	10/1994	Hollander et al.	.....	229/104

\* cited by examiner

*Primary Examiner*—Prabhakar Deshmukh  
(74) *Attorney, Agent, or Firm*—Lerner, David, Littenberg,  
Krumholz & Mentlik, LLP

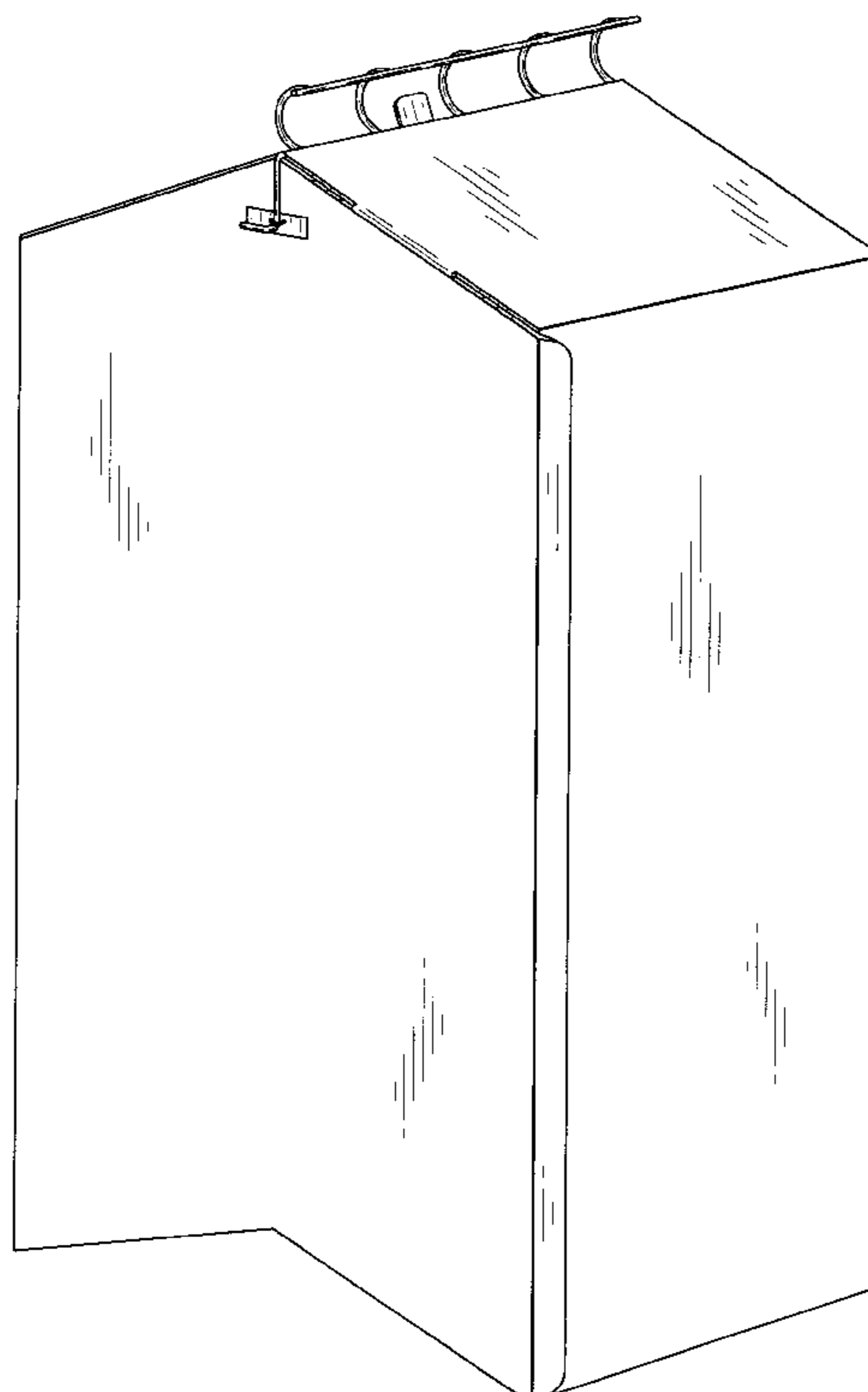
(57) **CLAIM**

The ornamental design for a transport box, as shown and described.

**DESCRIPTION**

FIG. 1 is a front, perspective view of a transport box in accordance with the present invention;  
 FIG. 2 is a rear, perspective view of the transport box shown in FIG. 1;  
 FIG. 3 is a right side, perspective view of the transport box shown in FIG. 1 with the left side being a mirror image thereof;  
 FIG. 4 is a front, perspective view of the transport box shown in FIG. 1 with the portion of the top in an open position;  
 FIG. 5 is a top, perspective view of the transport box shown in FIG. 4;  
 FIG. 6 is a front, perspective view of another embodiment of the transport box of the present invention;  
 FIG. 7 is a front, perspective view of another embodiment of the transport box of the present invention;  
 FIG. 8 is a front, perspective view of another embodiment of the transport box of the present invention;  
 FIG. 9 is a front, perspective view of another embodiment of the transport box of the present invention; and,  
 FIG. 10 is a front, perspective view of another embodiment of the transport box of the present invention.

**1 Claim, 10 Drawing Sheets**



*FIG. 1*

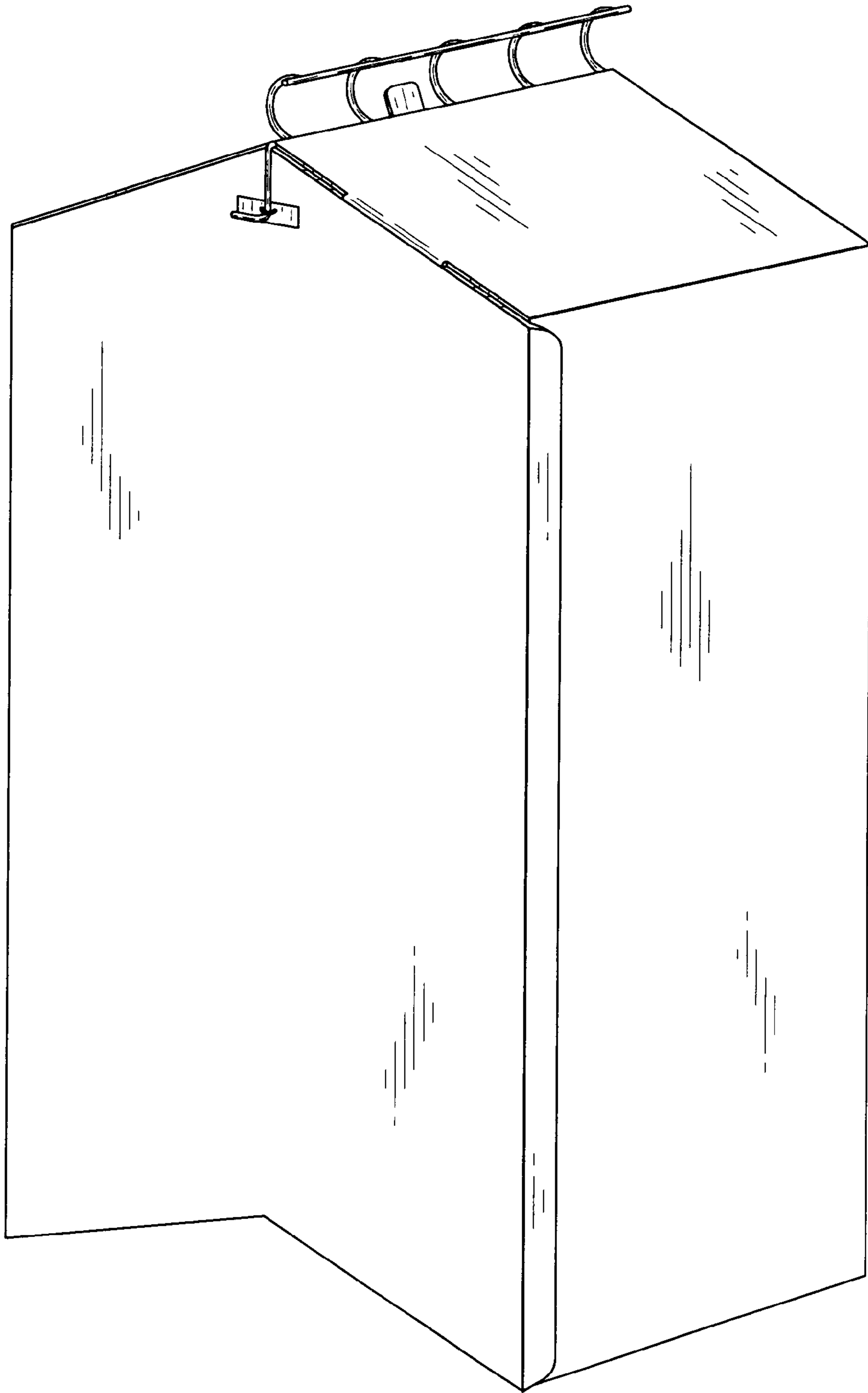


FIG. 2

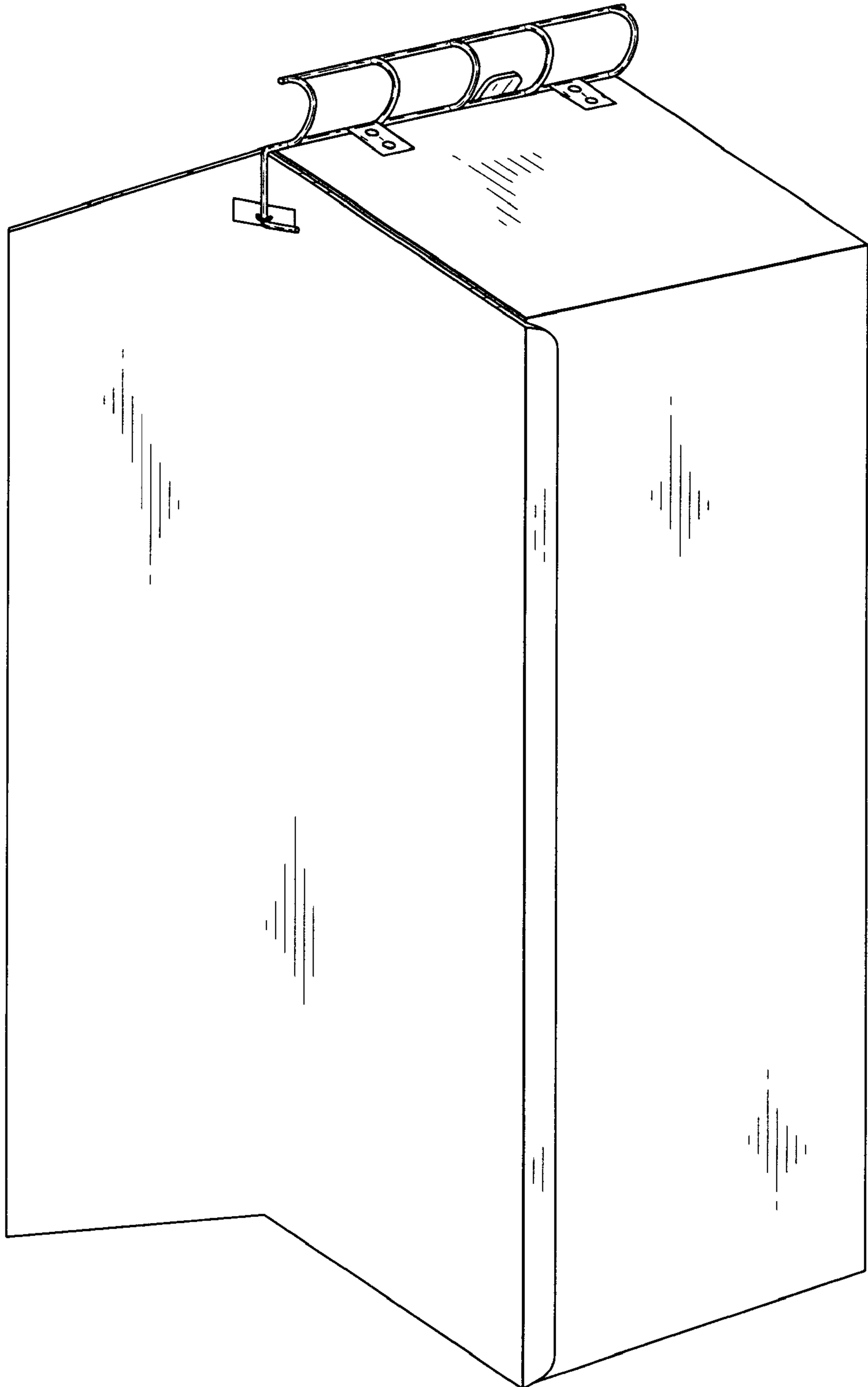


FIG. 3

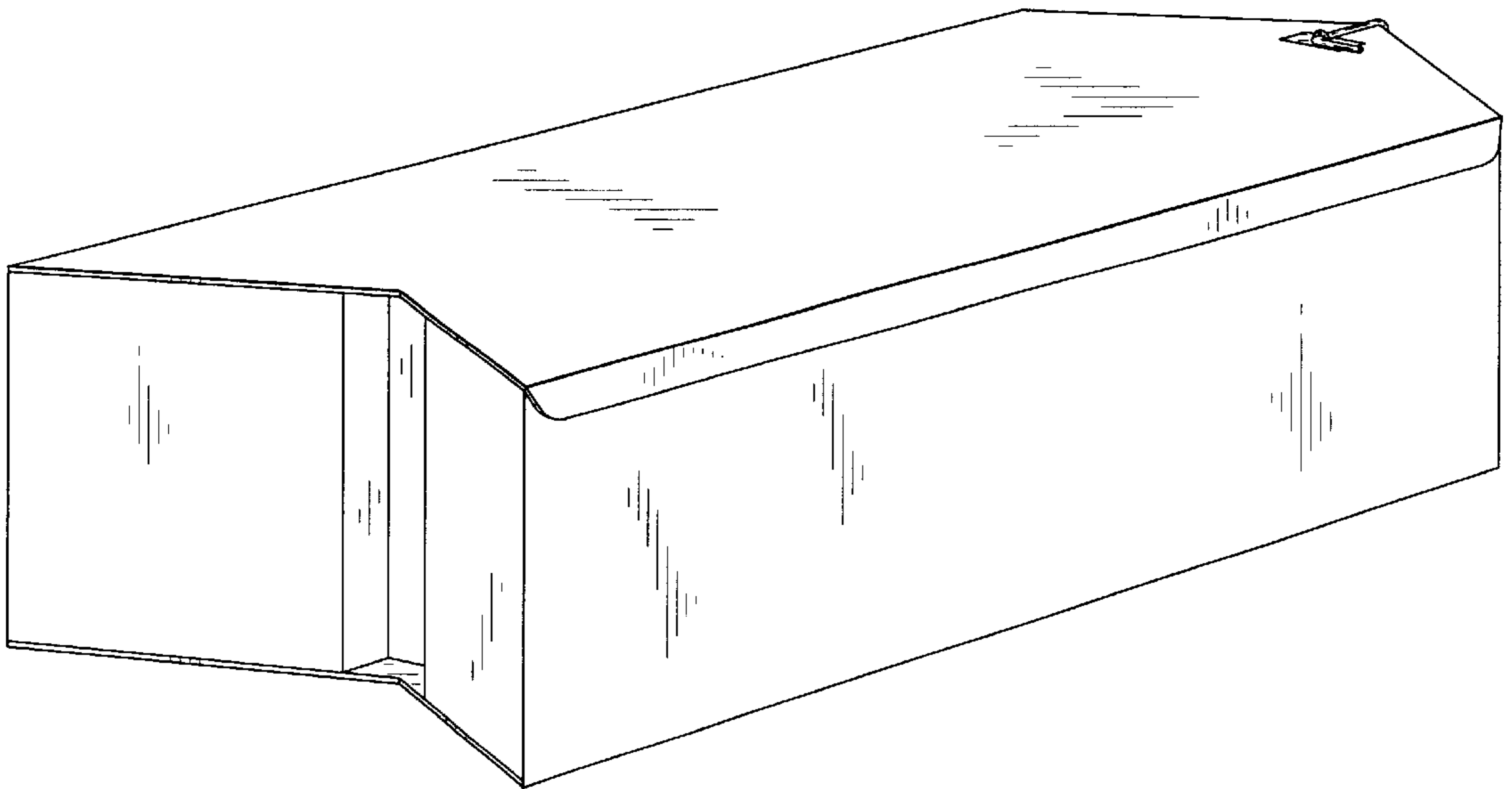


FIG. 4

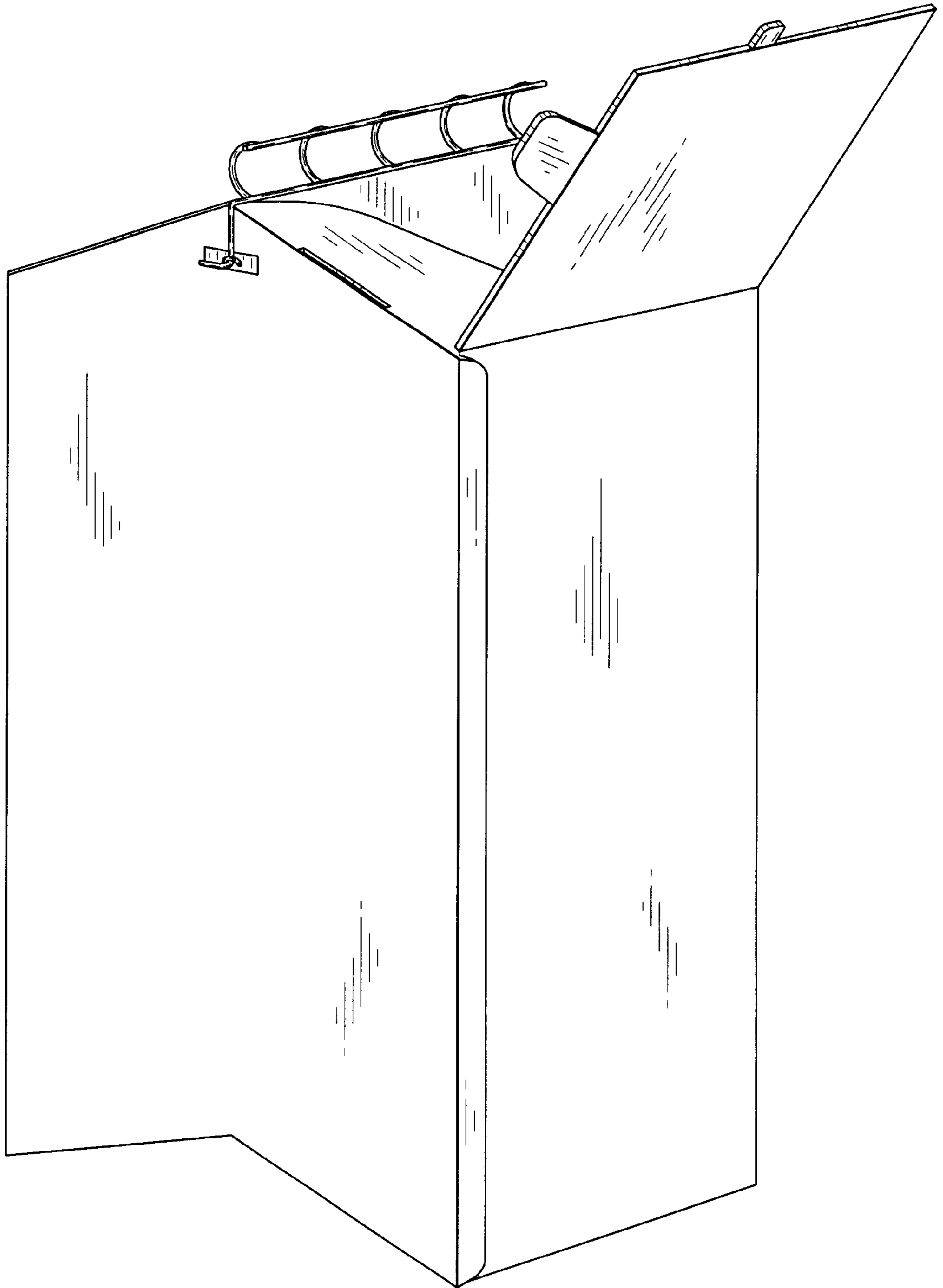
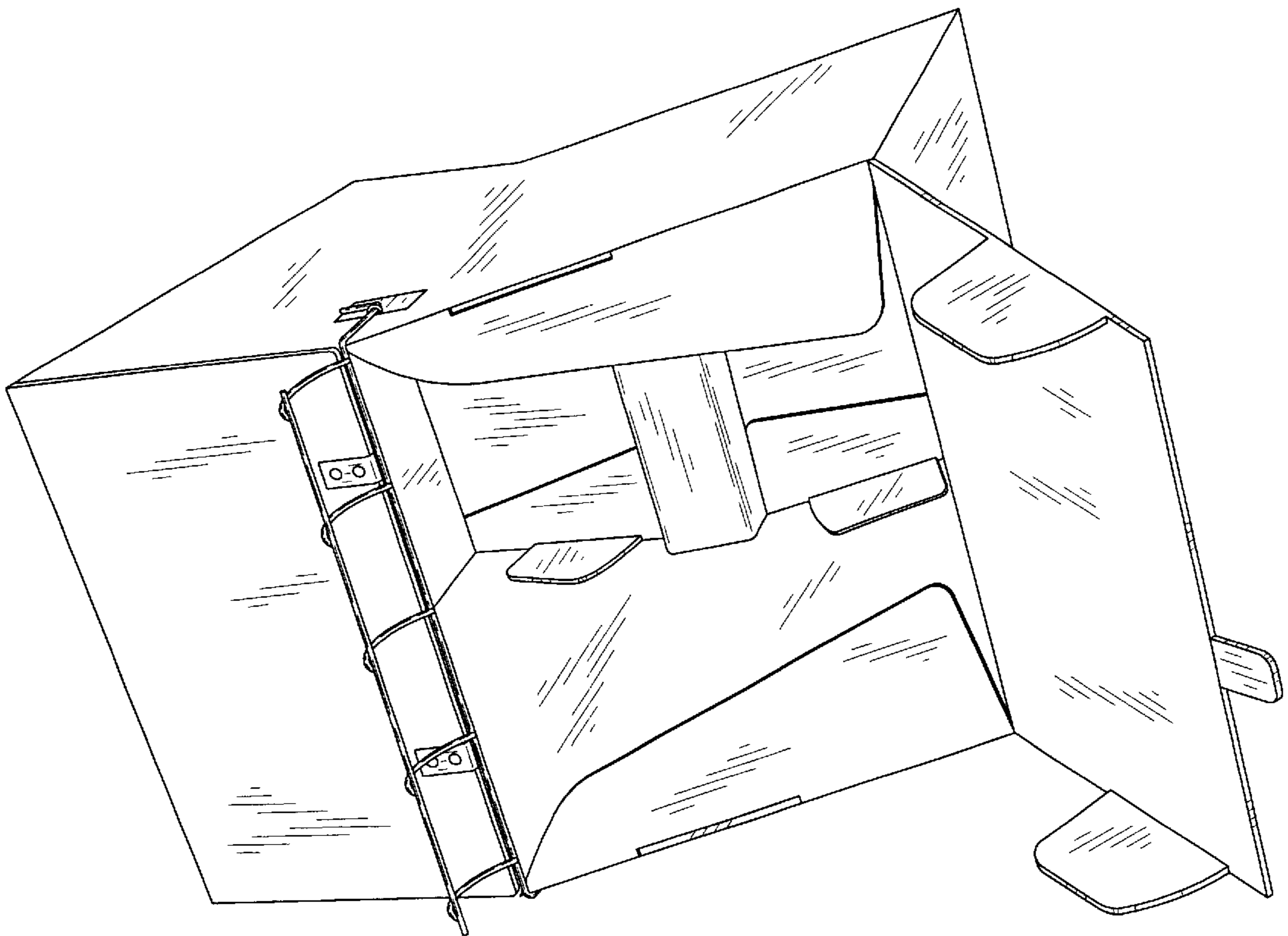


FIG. 5



*FIG. 6*

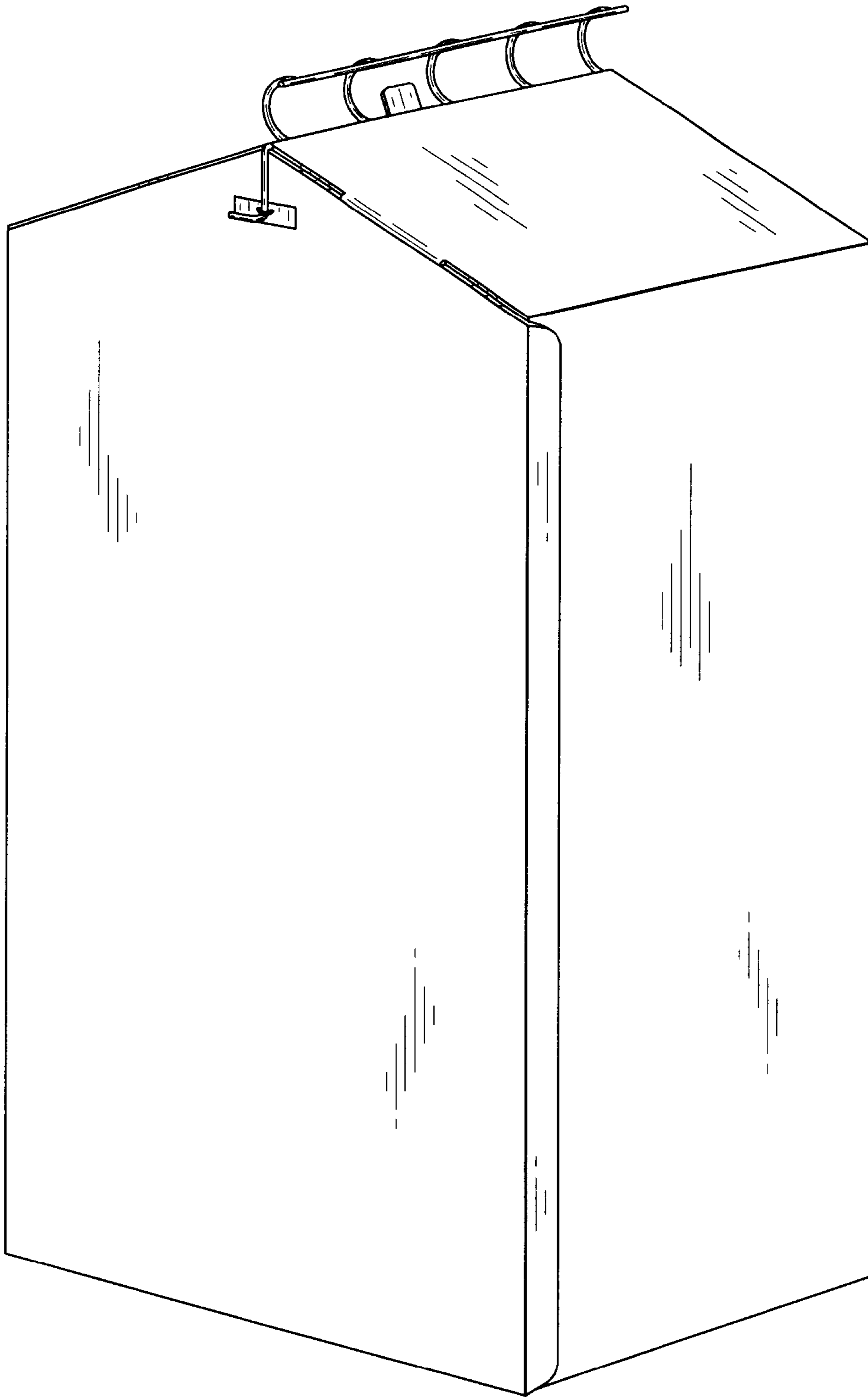
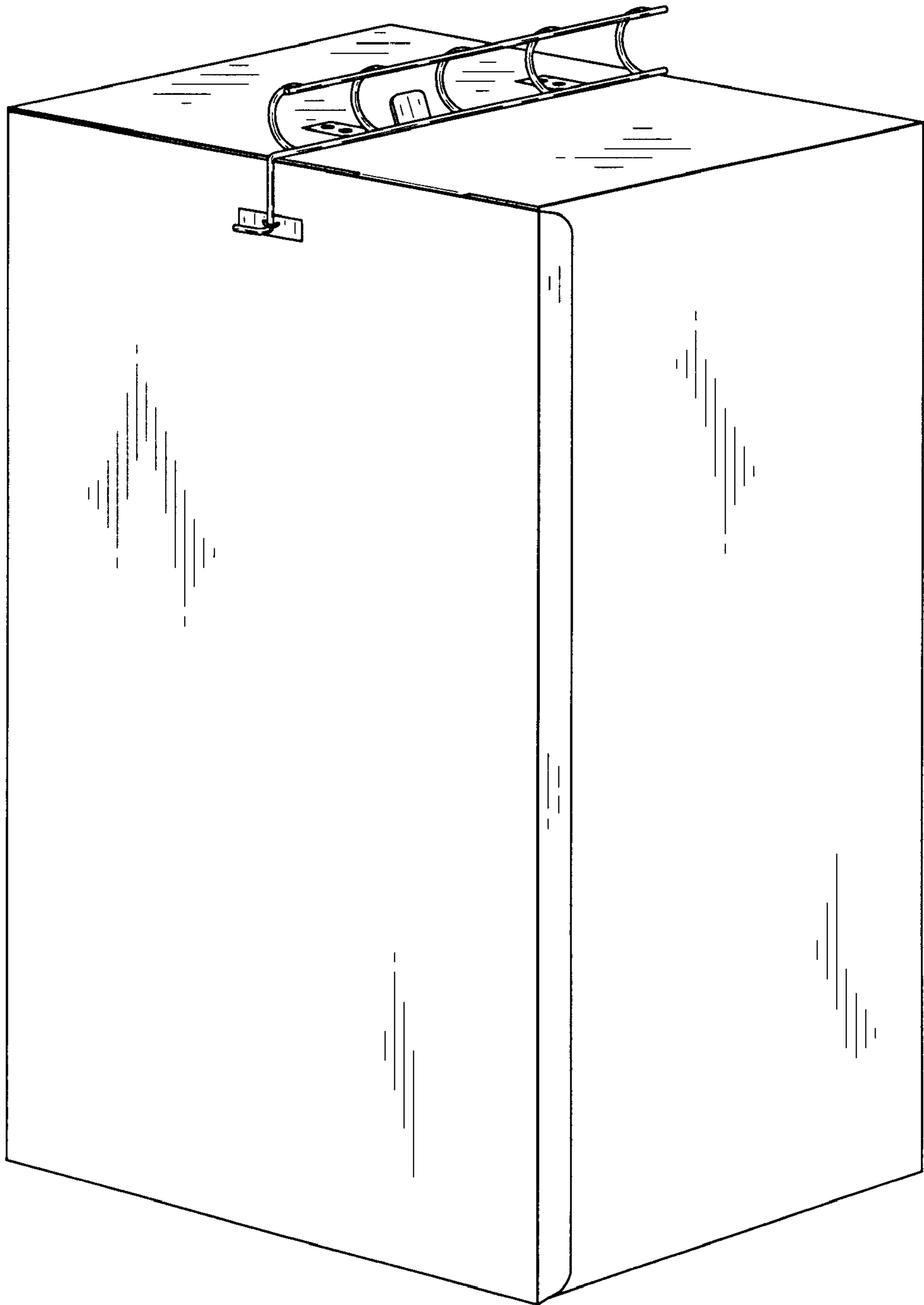
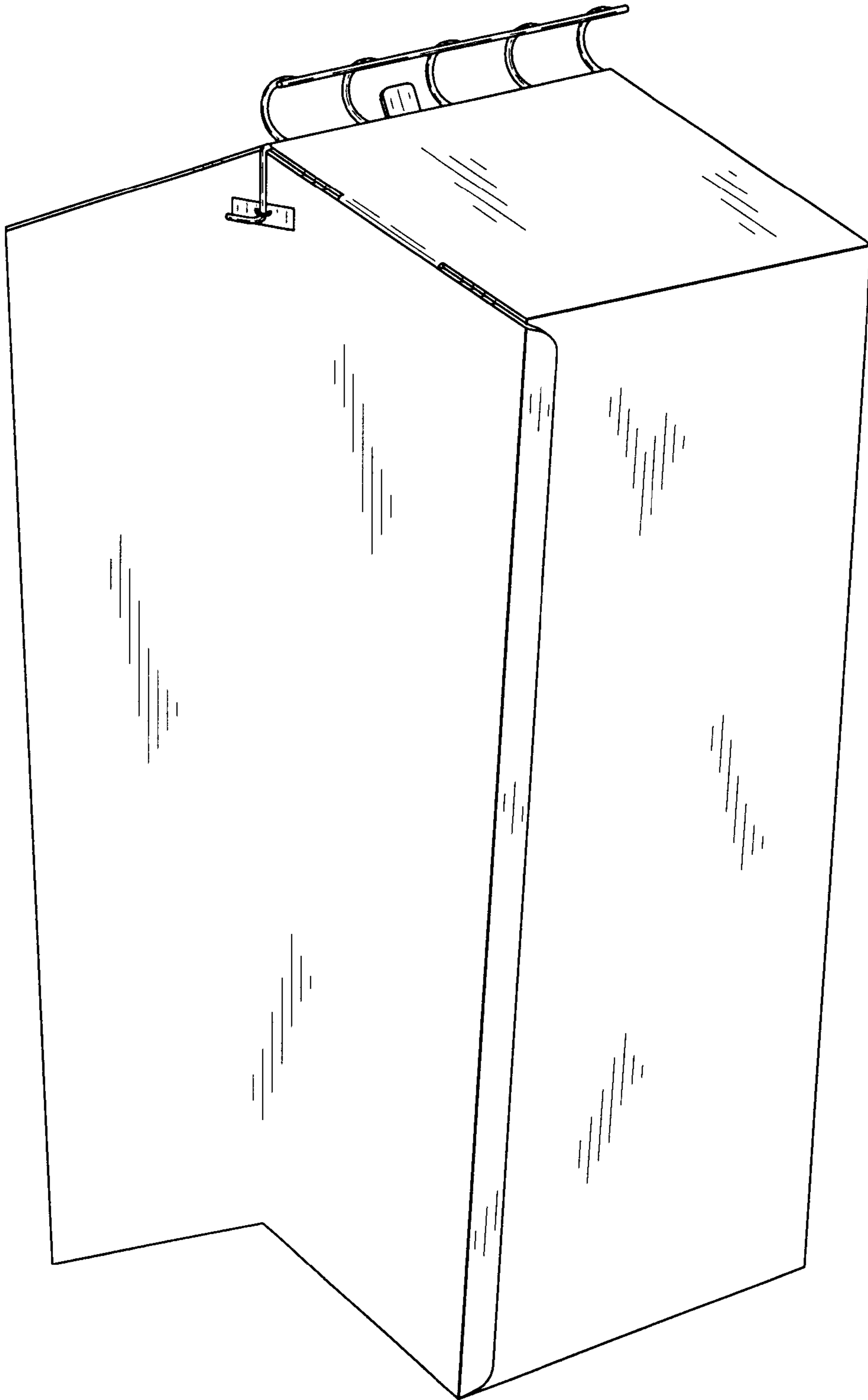


FIG. 7





*FIG. 8*



*FIG. 9*

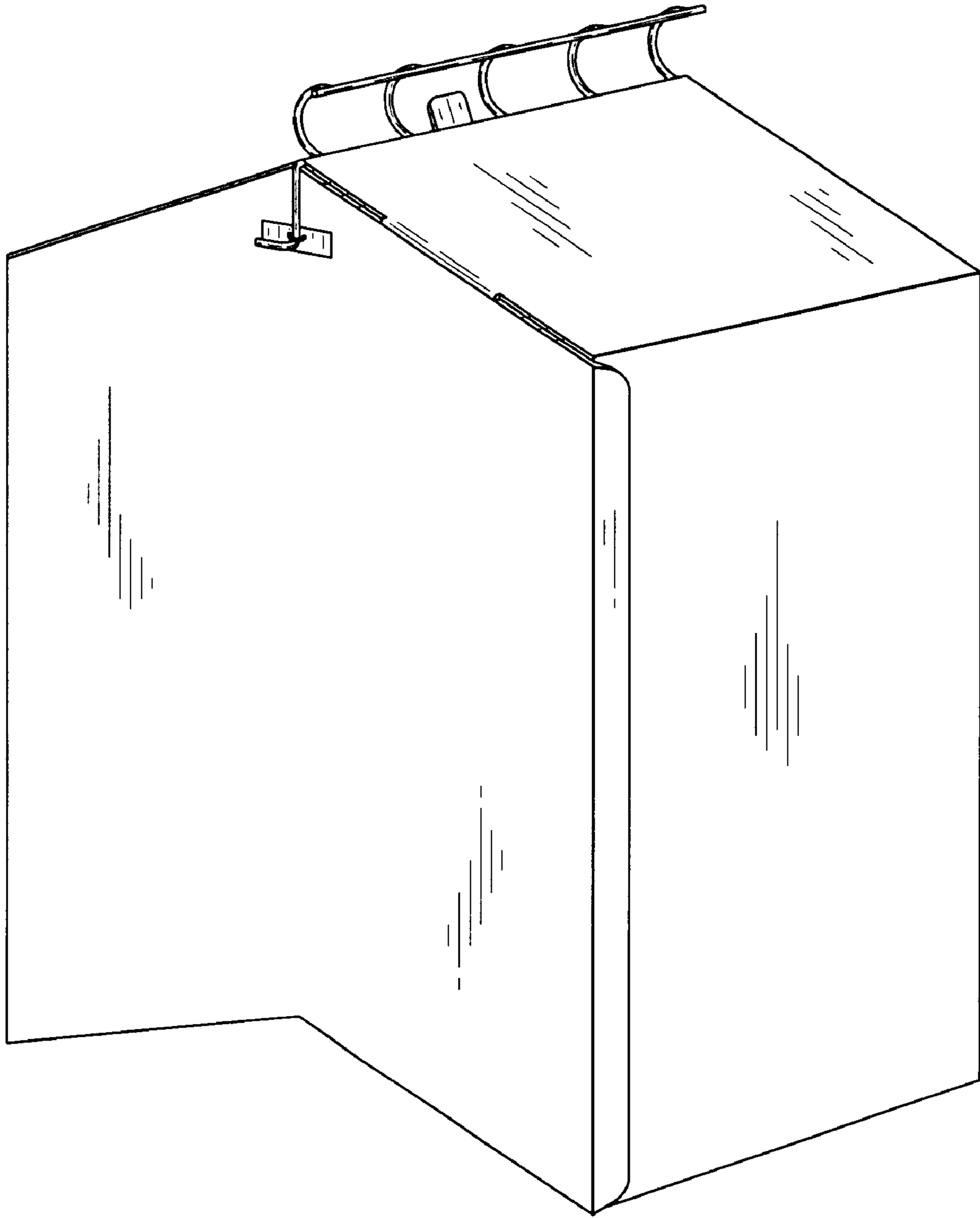


FIG. 10

