



US00D449780B1

(12) **United States Design Patent**
Corella

(10) **Patent No.:** **US D449,780 S**

(45) **Date of Patent:** **** Oct. 30, 2001**

(54) **TWO COMPARTMENT BLISTER PACKAGE**

4,004,565 * 1/1977 Fischer et al. 206/471
5,735,404 * 4/1998 Kumakura et al. 206/469

(76) Inventor: **Arthur P. Corella**, 8166 Vanscoy Ave.,
North Hollywood, CA (US) 91602

OTHER PUBLICATIONS

(**) Term: **14 Years**

Modern Packaging catalog, p. 300, Jan. 1941.*
Techform Inc. Nov. 1982.*

(21) Appl. No.: **29/134,546**

* cited by examiner

(22) Filed: **Dec. 22, 2000**

Primary Examiner—Prabhakar Deshmukh
(74) *Attorney, Agent, or Firm*—Donald Diamond

(51) **LOC (7) Cl.** **09-03**

(52) **U.S. Cl.** **D9/415**

(58) **Field of Search** D9/414, 415, 418,
D9/456, 337; 206/461–471, 806, 495, 769,
770, 775, 776

(57) **CLAIM**

The ornamental design for a two compartment blister pack-
age, as shown.

(56) **References Cited**

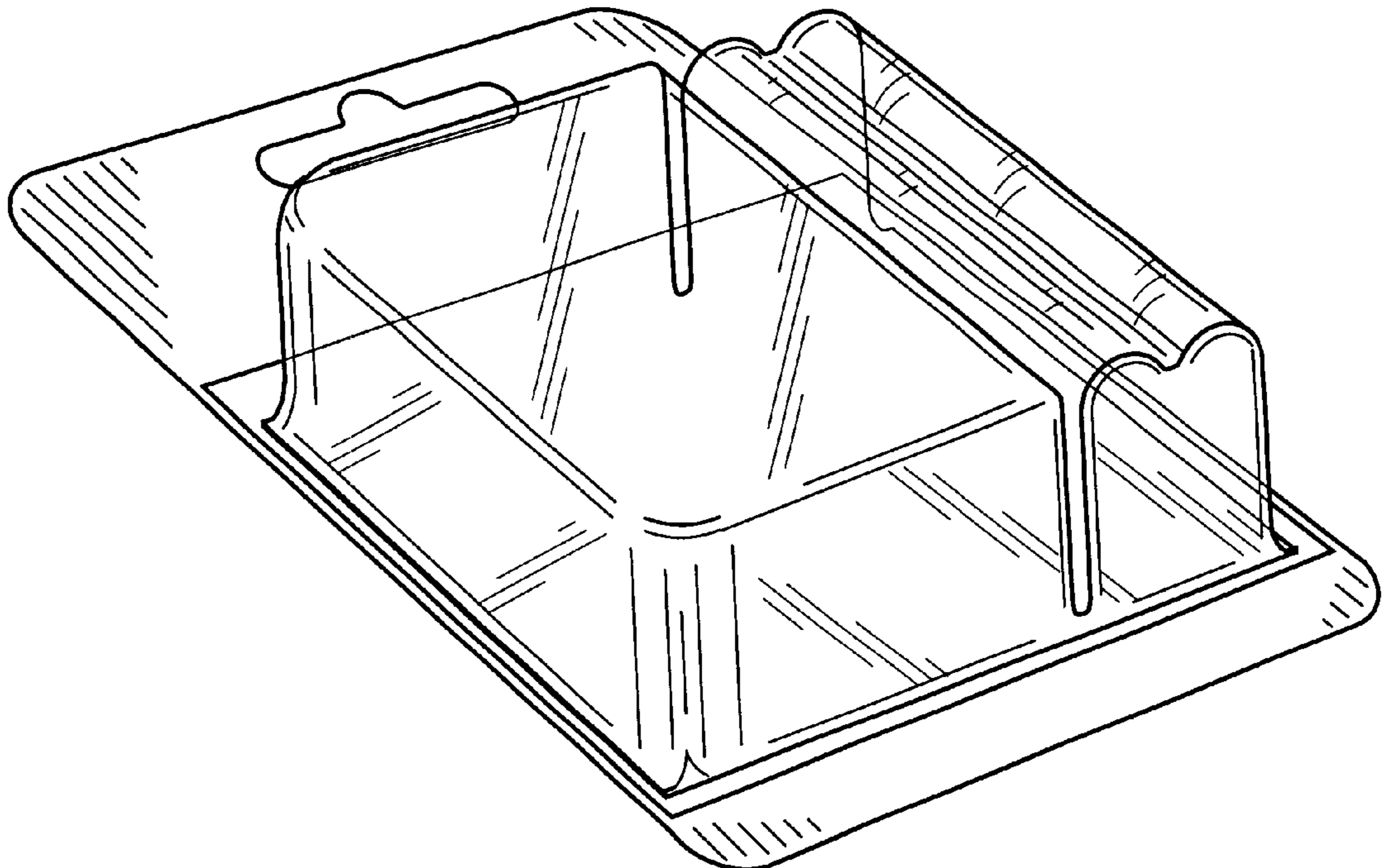
DESCRIPTION

U.S. PATENT DOCUMENTS

D. 330,855	*	11/1992	Demopoulos et al.	D9/415
D. 378,570	*	3/1997	MacEachern	D9/415
D. 405,370	*	2/1999	Humphrey	D9/415
D. 410,384	*	6/1999	Gaffney et al.	D9/415
D. 423,344	*	4/2000	Kumakura et al.	D9/415
3,157,280	*	11/1964	Perdue et al.	206/468
3,172,768	*	3/1965	Joosten et al.	206/471
3,220,543	*	11/1965	McCord et al.	206/461
3,890,204	*	6/1975	Avery	206/229

FIG. 1 is a front perspective view of a two compartment
blister package showing my new design;
FIG. 2 is a front elevational view thereof;
FIG. 3 is a rear elevational view thereof;
FIG. 4 is a left side elevational view thereof;
FIG. 5 is a right side elevational view thereof;
FIG. 6 is a top elevational view thereof; and,
FIG. 7 is a bottom elevational view thereof.

1 Claim, 2 Drawing Sheets



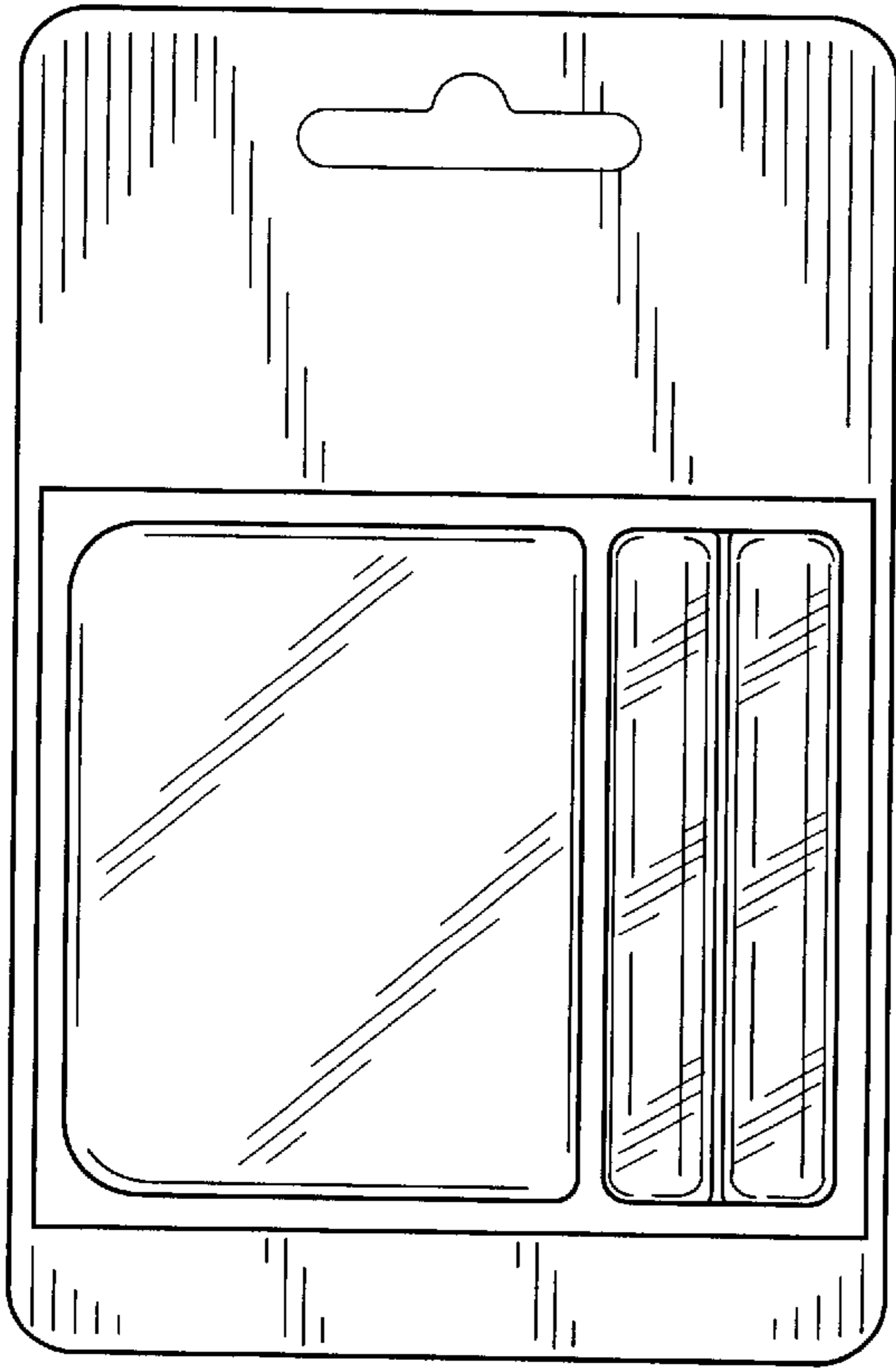
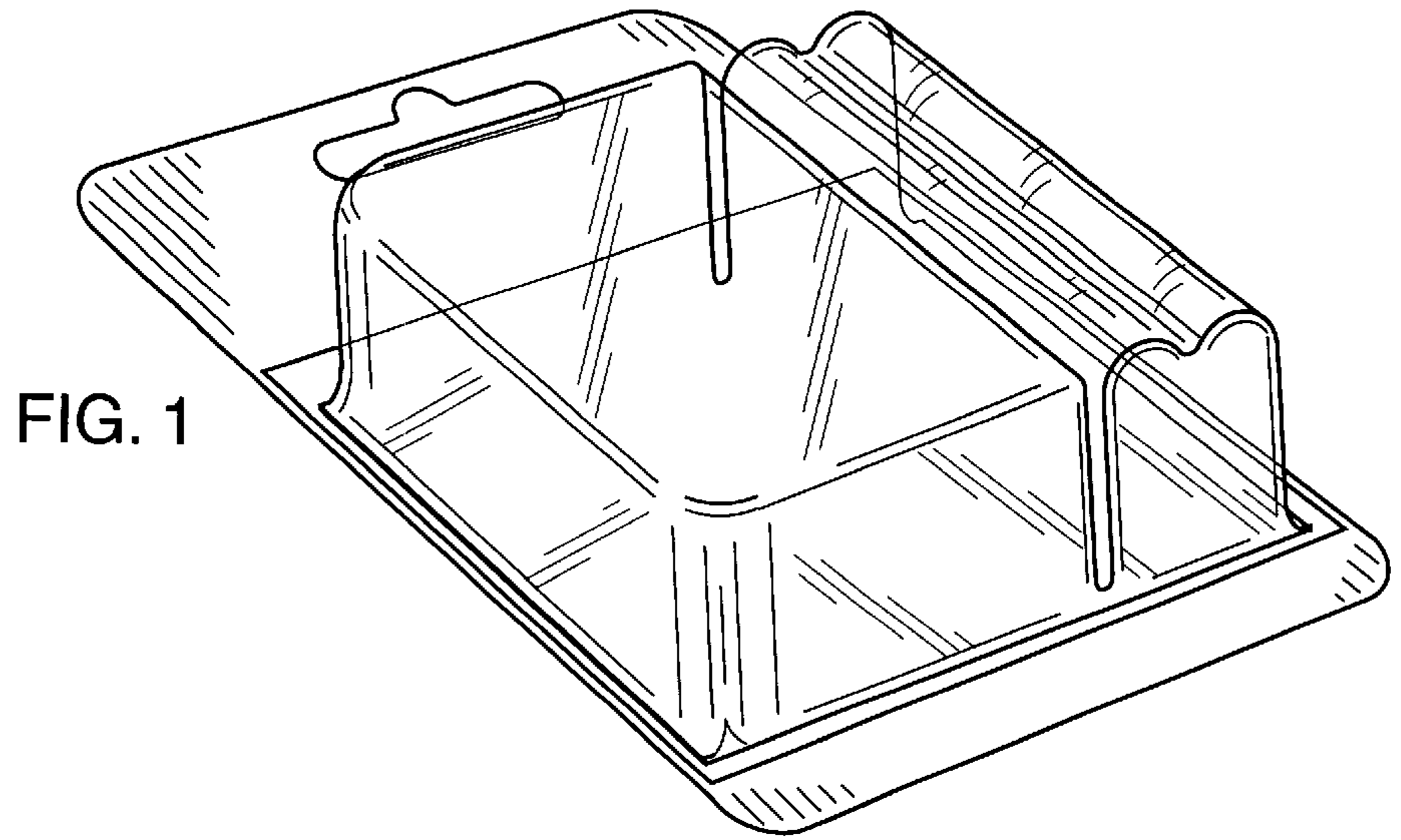


FIG. 2

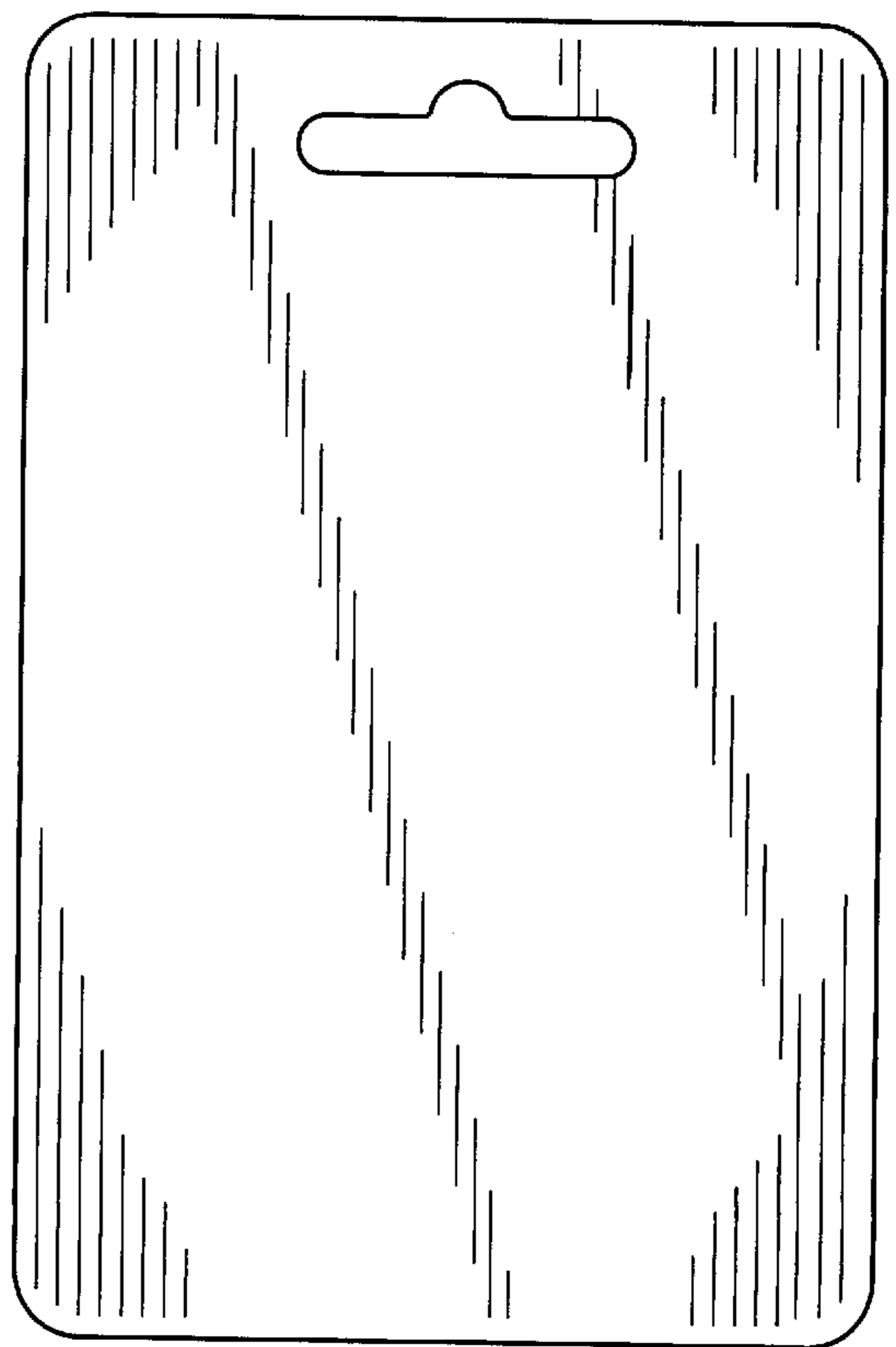


FIG. 3

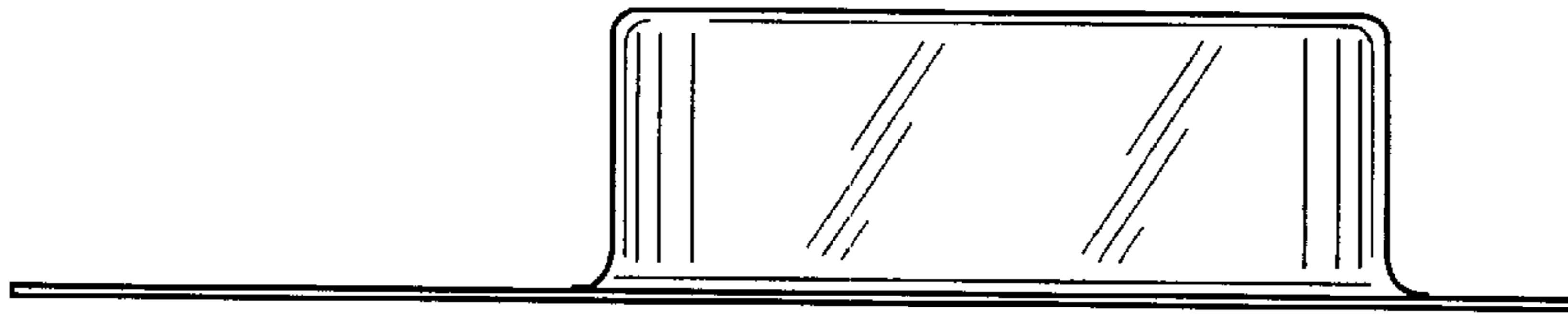


FIG. 4

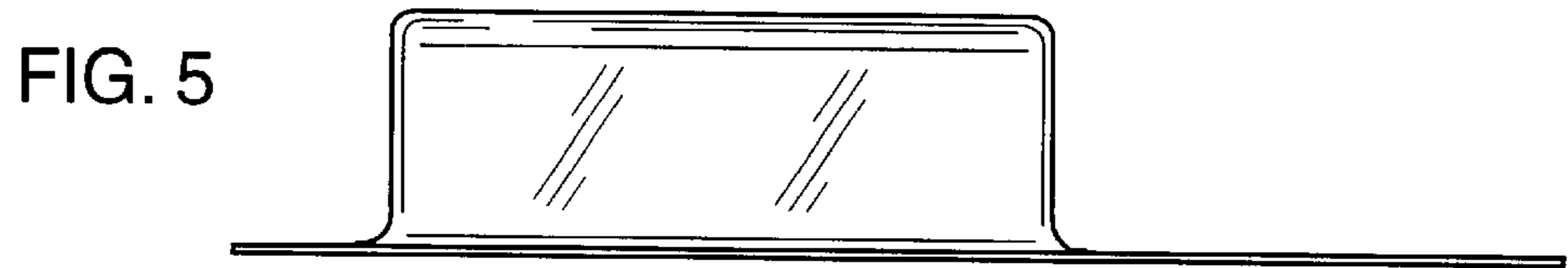


FIG. 5

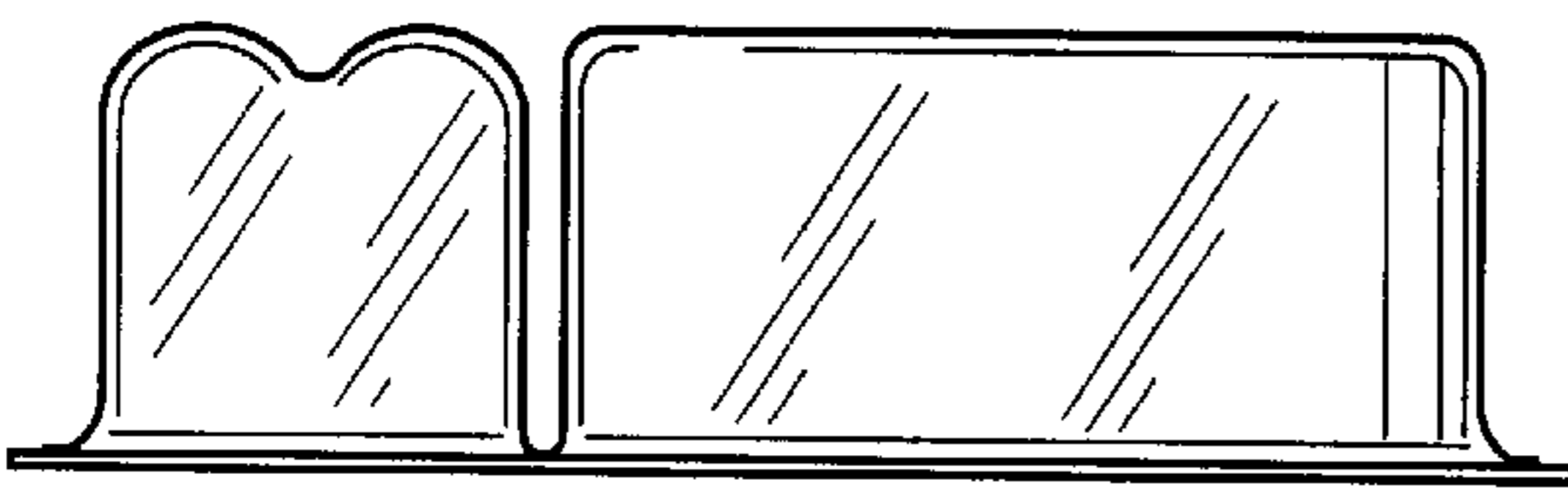


FIG. 6

FIG. 7

