



US00D449770B1

(12) **United States Design Patent**
Chen

(10) **Patent No.:** **US D449,770 S**

(45) **Date of Patent:** **** Oct. 30, 2001**

(54) **HAMMER**

(76) **Inventor:** **John Chen**, No. 14, Alley 6, Lane 17,
Sec. 3, Chung Yang Rd., Lung Ching
Hsiang, Taichung Hsien (TW)

(**) **Term:** **14 Years**

(21) **Appl. No.:** **29/131,201**

(22) **Filed:** **Oct. 20, 2000**

(51) **LOC (7) Cl.** **08-02**

(52) **U.S. Cl.** **D8/75; D8/79**

(58) **Field of Search** **D8/75, 76, 77,**
D8/78, 79, 80, 81; 81/19, 20, 21, 22, 23,
24, 25

(56) **References Cited**

U.S. PATENT DOCUMENTS

| | | | | | |
|------------|---|---------|---------------|-------|-------|
| D. 262,186 | * | 12/1981 | Royce | | D8/75 |
| D. 267,469 | * | 1/1983 | Crowder | | D8/75 |
| D. 275,261 | * | 8/1984 | Crowder | | D8/75 |
| D. 291,402 | * | 8/1987 | Square | | D8/75 |
| D. 300,111 | * | 3/1989 | Square | | D8/75 |
| D. 325,863 | * | 5/1992 | Chen | | D8/75 |
| D. 353,758 | * | 12/1994 | Frykman | | D8/78 |
| D. 420,881 | * | 2/2000 | Davis et al. | | D8/75 |
| D. 426,128 | * | 6/2000 | Lamond et al. | | D8/75 |

| | | | | | |
|------------|---|---------|--------------|-------|-------|
| D. 429,985 | * | 8/2000 | Tovar | | D8/79 |
| D. 432,380 | * | 10/2000 | Goble et al. | | D8/79 |
| 4,216,808 | * | 8/1980 | Royce | | 81/20 |
| 5,213,023 | * | 5/1993 | Floyd | | 81/20 |

* cited by examiner

Primary Examiner—Philip S. Hyder

(74) *Attorney, Agent, or Firm*—Bacon & Thomas, PLLC

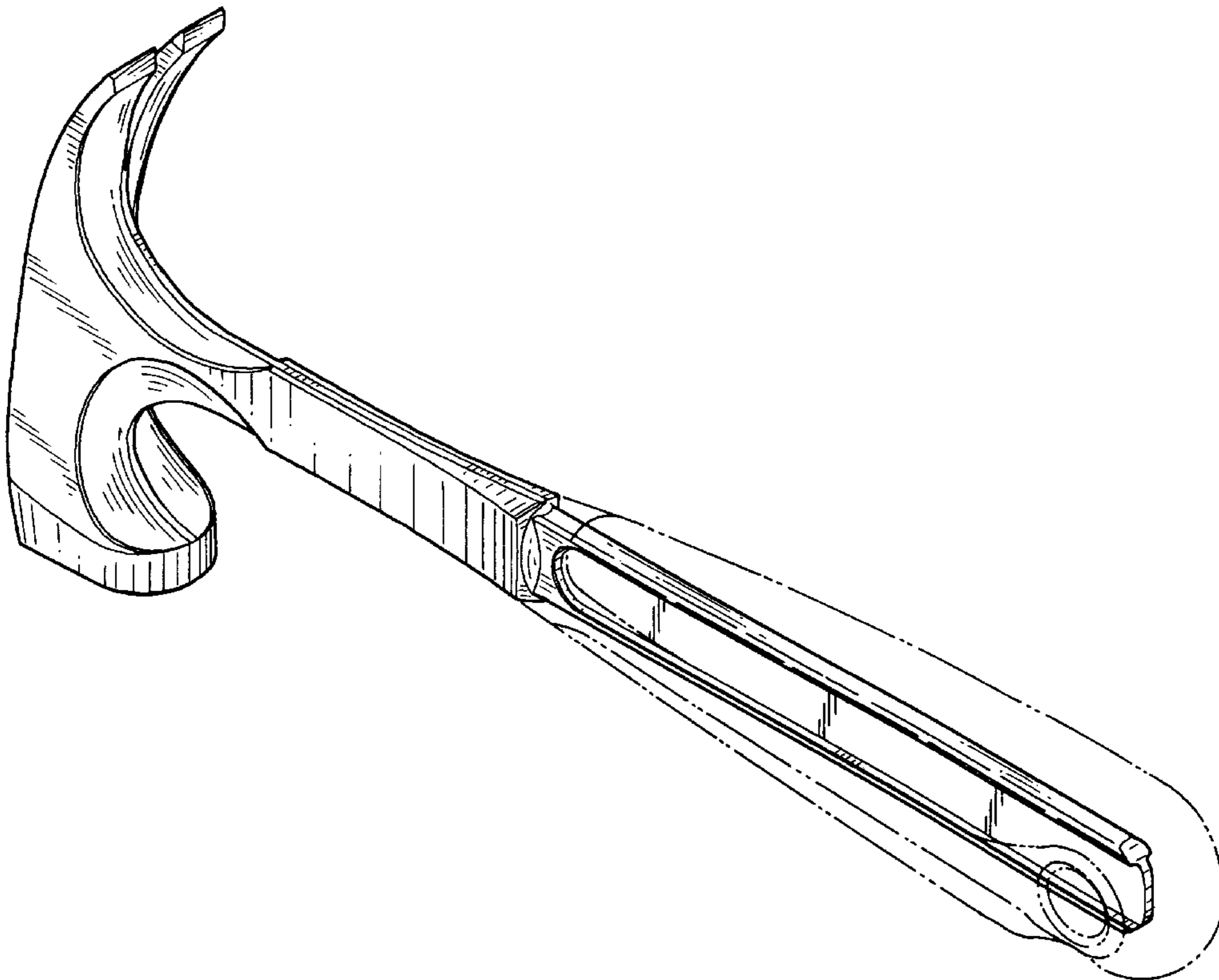
(57) **CLAIM**

The ornamental design for a hammer, as shown and described.

DESCRIPTION

FIG. 1 is a right side perspective view of a hammer showing my new design;
 FIG. 2 is a front view thereof;
 FIG. 3 is a rear view thereof;
 FIG. 4 is a left side view thereof;
 FIG. 5 is a right side view thereof;
 FIG. 6 is a top view thereof;
 FIG. 7 is a bottom view thereof; and,
 FIG. 8 is a front view thereof, wherein the broken line showing of the tool handle cover is for illustrative purposes only and forming no part of the claimed design.

1 Claim, 5 Drawing Sheets



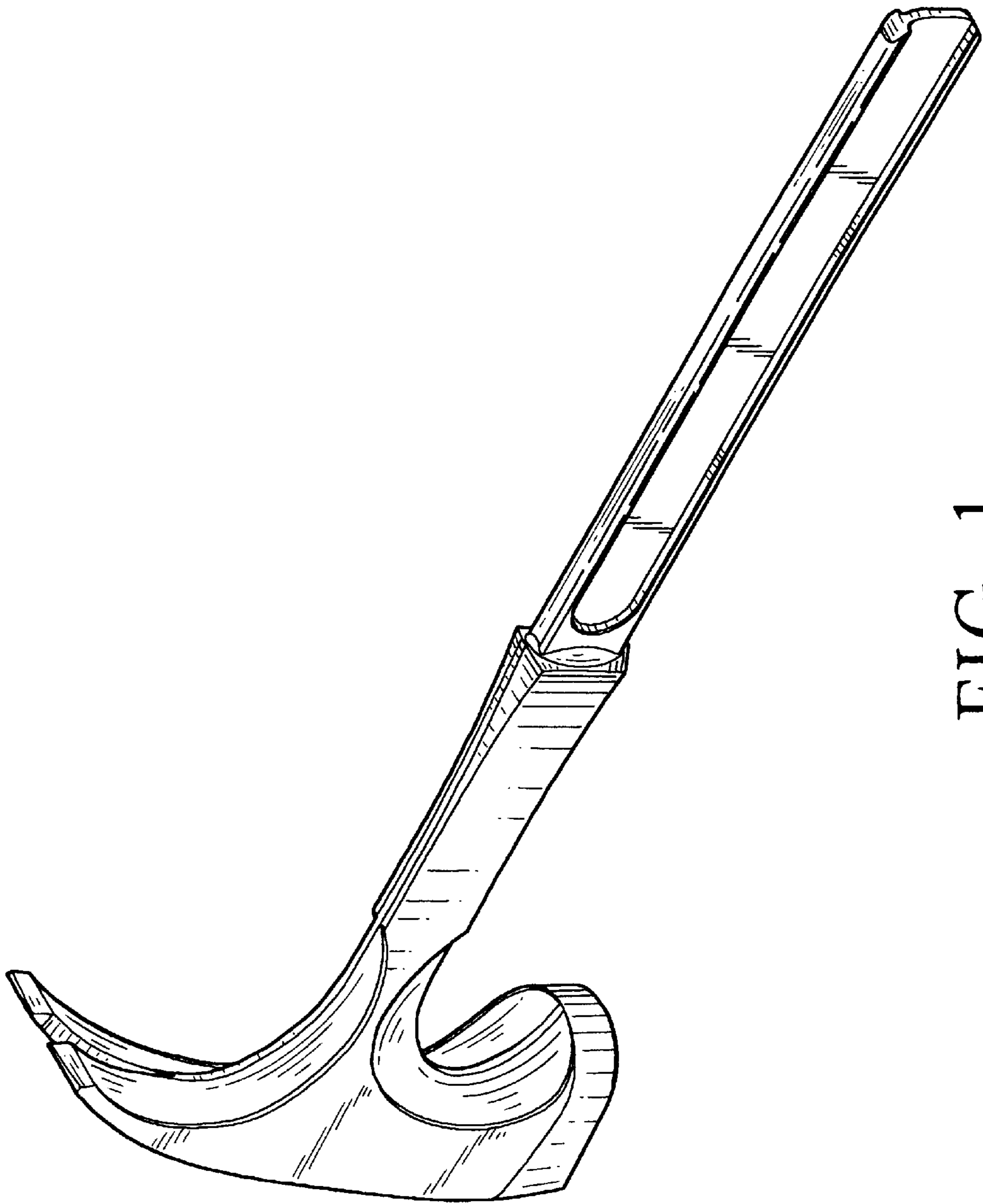


FIG. 1

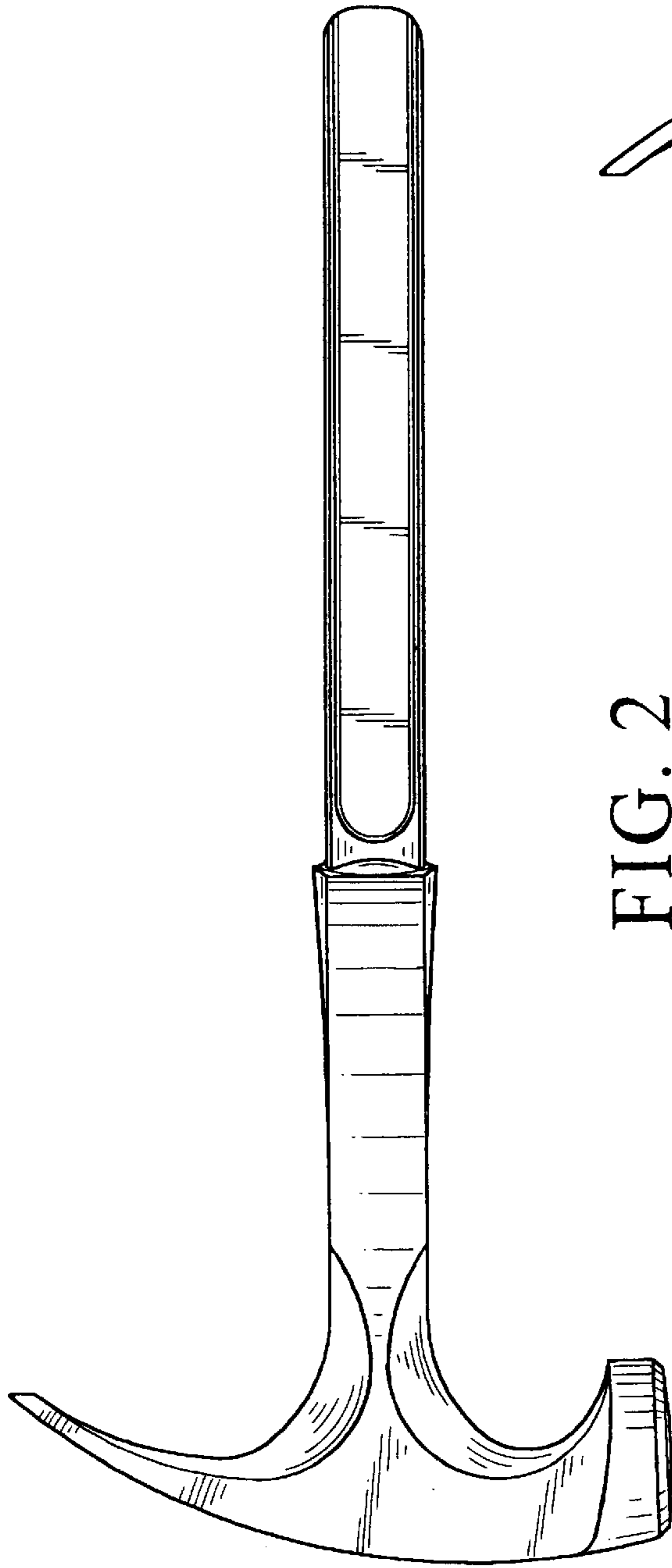


FIG. 2

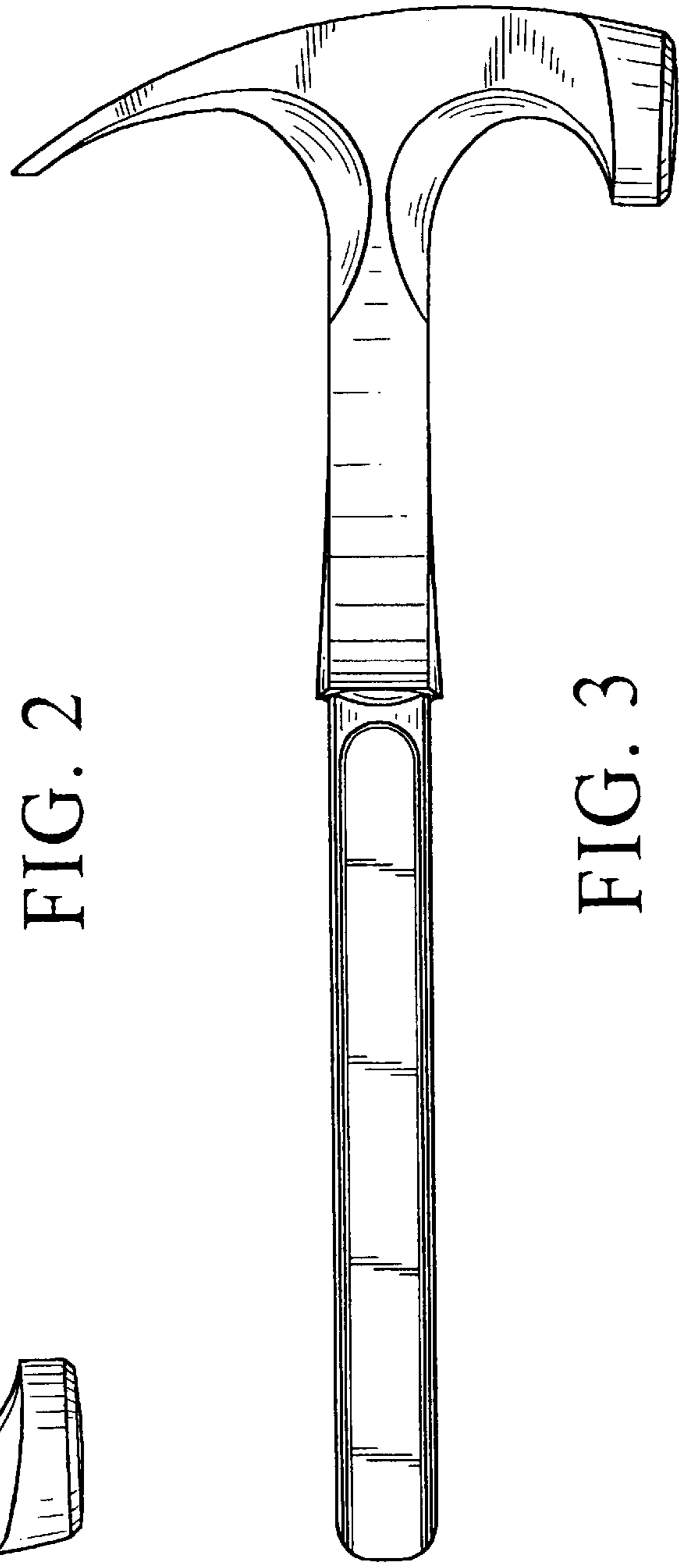


FIG. 3

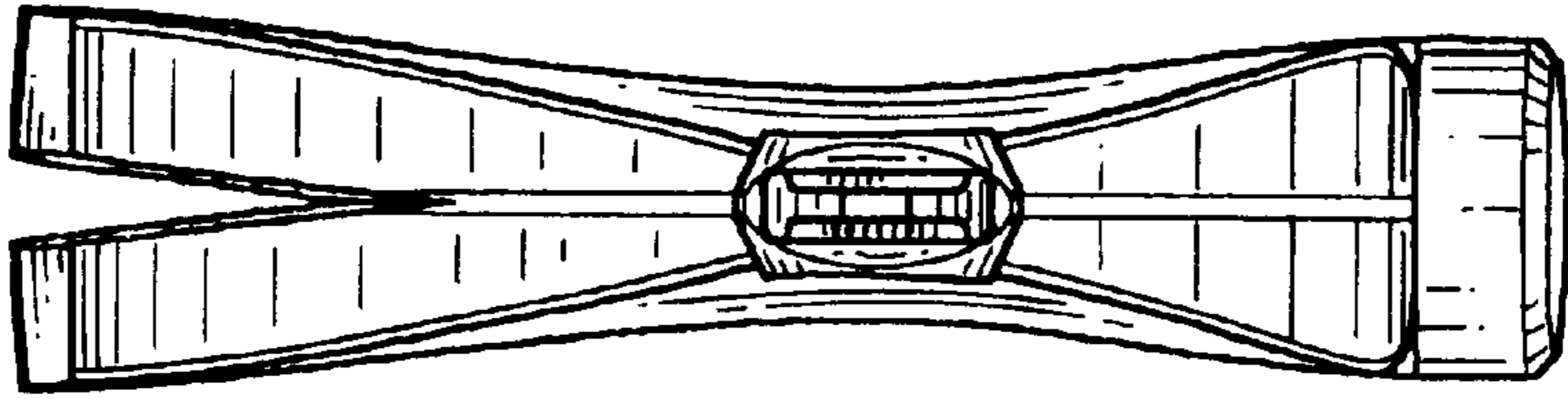


FIG. 5

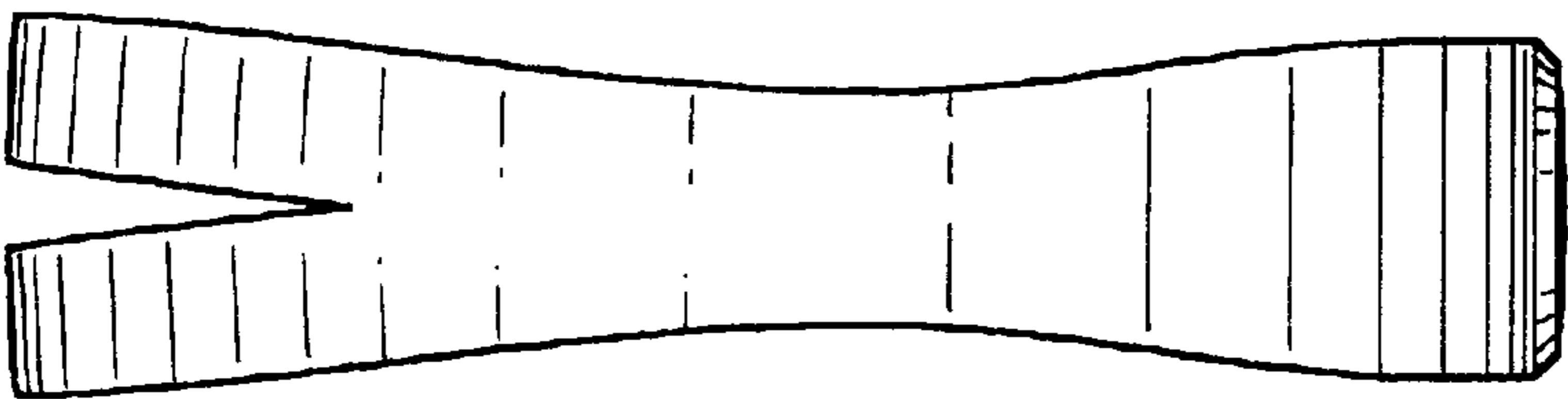


FIG. 4

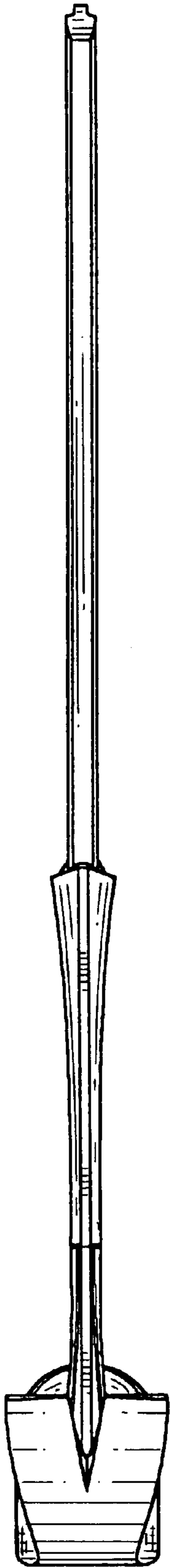


FIG. 6

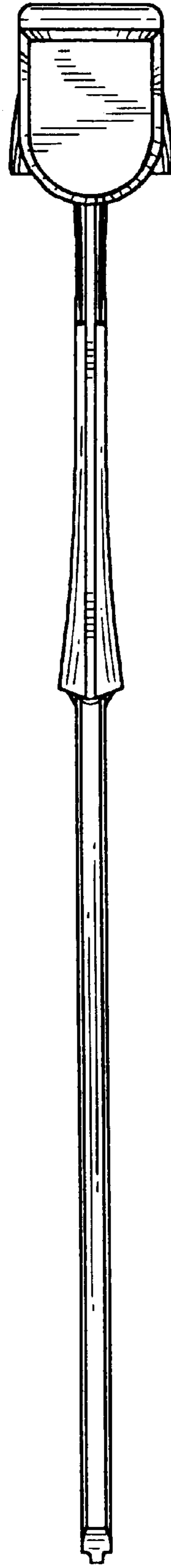


FIG. 7

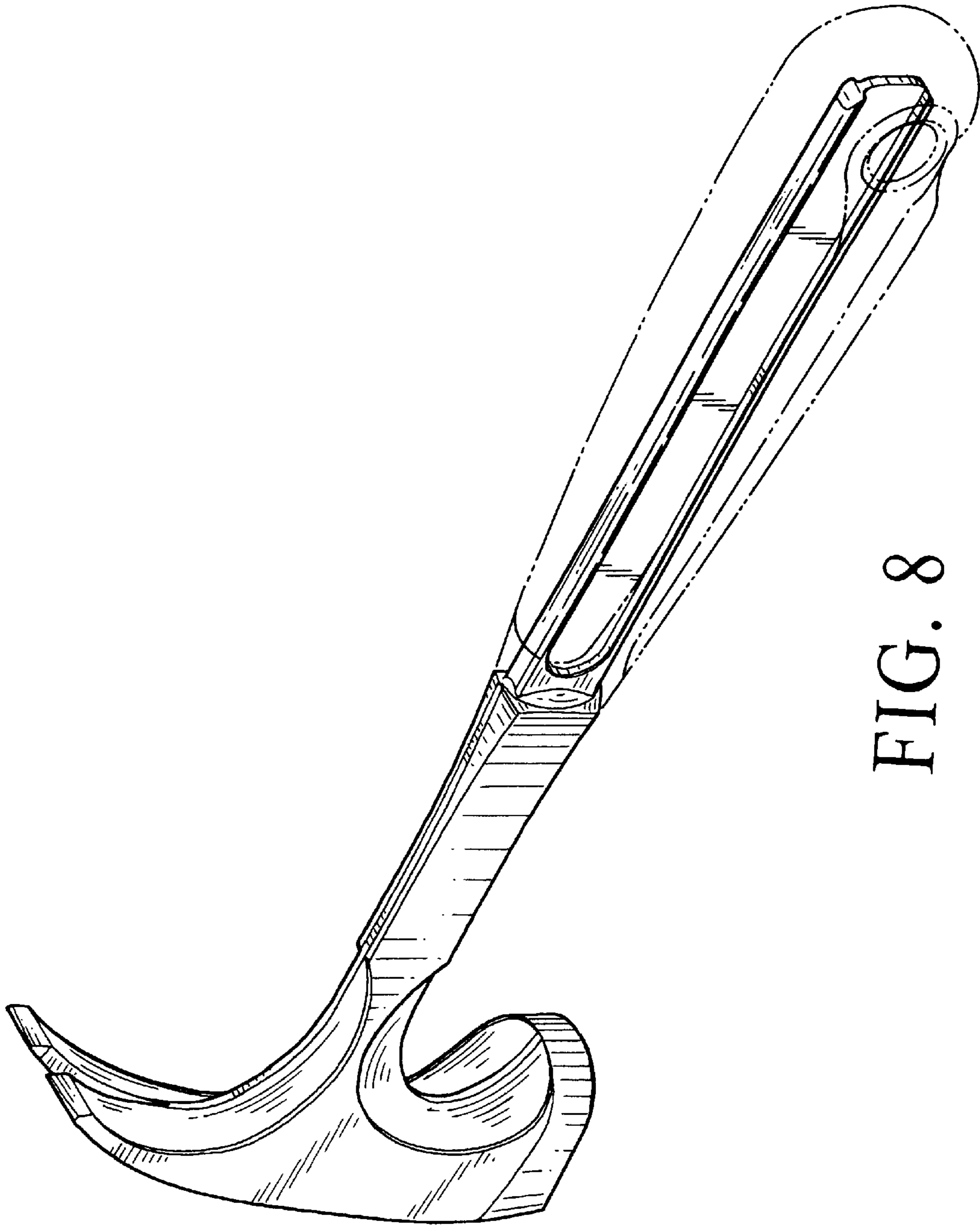


FIG. 8