



US00D449763B1

(12) **United States Design Patent**  
**Harris, Jr.**

(10) **Patent No.:** **US D449,763 S**

(45) **Date of Patent:** **\*\* Oct. 30, 2001**

(54) **LIQUID TABLE TOP DISPENSER STAND WITH RECESSED CATCH BASIN AND DETACHED CATCH BASIN GRID INSERT**

(76) **Inventor:** **Hanlon Harris, Jr.**, 214 Linwood Ave., Mt. Ephraim, NJ (US) 08059

(\*\*) **Term:** **14 Years**

(21) **Appl. No.:** **29/124,072**

(22) **Filed:** **May 30, 2000**

(51) **LOC (7) Cl.** ..... **07-99**

(52) **U.S. Cl.** ..... **D7/397; D7/307**

(58) **Field of Search** ..... D7/300, 305, 306, D7/307, 308, 309, 399, 397, 387; 222/129.1, 129.2, 129.3, 129.4, 183; 99/280; D6/474; D23/209

(56) **References Cited**

**U.S. PATENT DOCUMENTS**

D. 214,234	5/1969	Rimini .	
D. 231,808	6/1974	Fosella .	
D. 282,617	* 2/1986	Hogan .....	D7/589
D. 290,914	7/1987	Carlson .....	D6/474
D. 301,951	7/1989	Carlson .....	D6/474
D. 365,962	1/1996	Amundsen et al. ....	D7/311
D. 375,431	11/1996	Credle, Jr. ....	D7/311
D. 408,206	4/1999	Stafford et al. ....	D7/306
4,513,885	4/1985	Hogan .....	222/95
5,524,791	* 6/1996	Credle, Jr. et al. ....	222/129.1

\* cited by examiner

*Primary Examiner*—M. N. Pandozzi

(74) *Attorney, Agent, or Firm*—William L. Muckelroy, P.C.

(57) **CLAIM**

The ornamental design for a liquid table top dispenser stand with recessed catch basin and detached catch basin grid insert, as shown and described.

**DESCRIPTION**

FIG. 1 is a top, front, right perspective view of a liquid table top dispenser stand with recessed catch basin and detachable catch basin grid insert showing my new design;

FIG. 2 is a top, front, right perspective view of a liquid table top dispenser stand with recessed catch basin and detachable catch basin grid insert with the liquid table top stand with recessed catch basin removed for ease of illustration;

FIG. 3 is a front elevational view of a liquid table top dispenser stand with recessed catch basin and detachable catch basin grid insert;

FIG. 4 is a left side elevational view thereof;

FIG. 5 is a rear elevational view thereof;

FIG. 6 is a top plan view thereof;

FIG. 7 is a bottom plan view thereof; and,

FIG. 8 is a top plan view thereof with the detachable catch basin insert removed for ease.

The broken lines in FIGS. 1, 3, 4, and 6 are for illustrative purposes only and form no part of the claimed design.

**1 Claim, 3 Drawing Sheets**

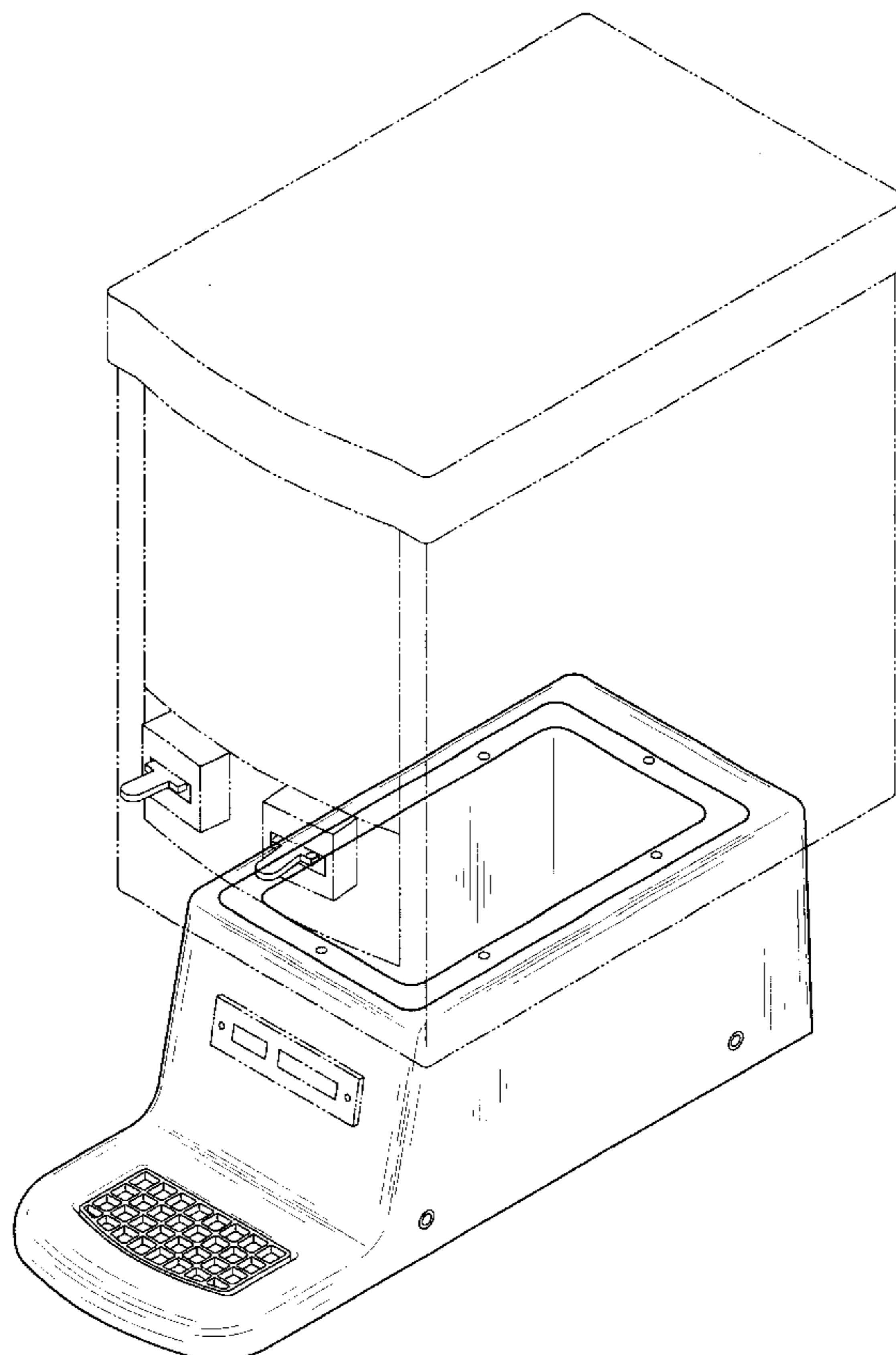
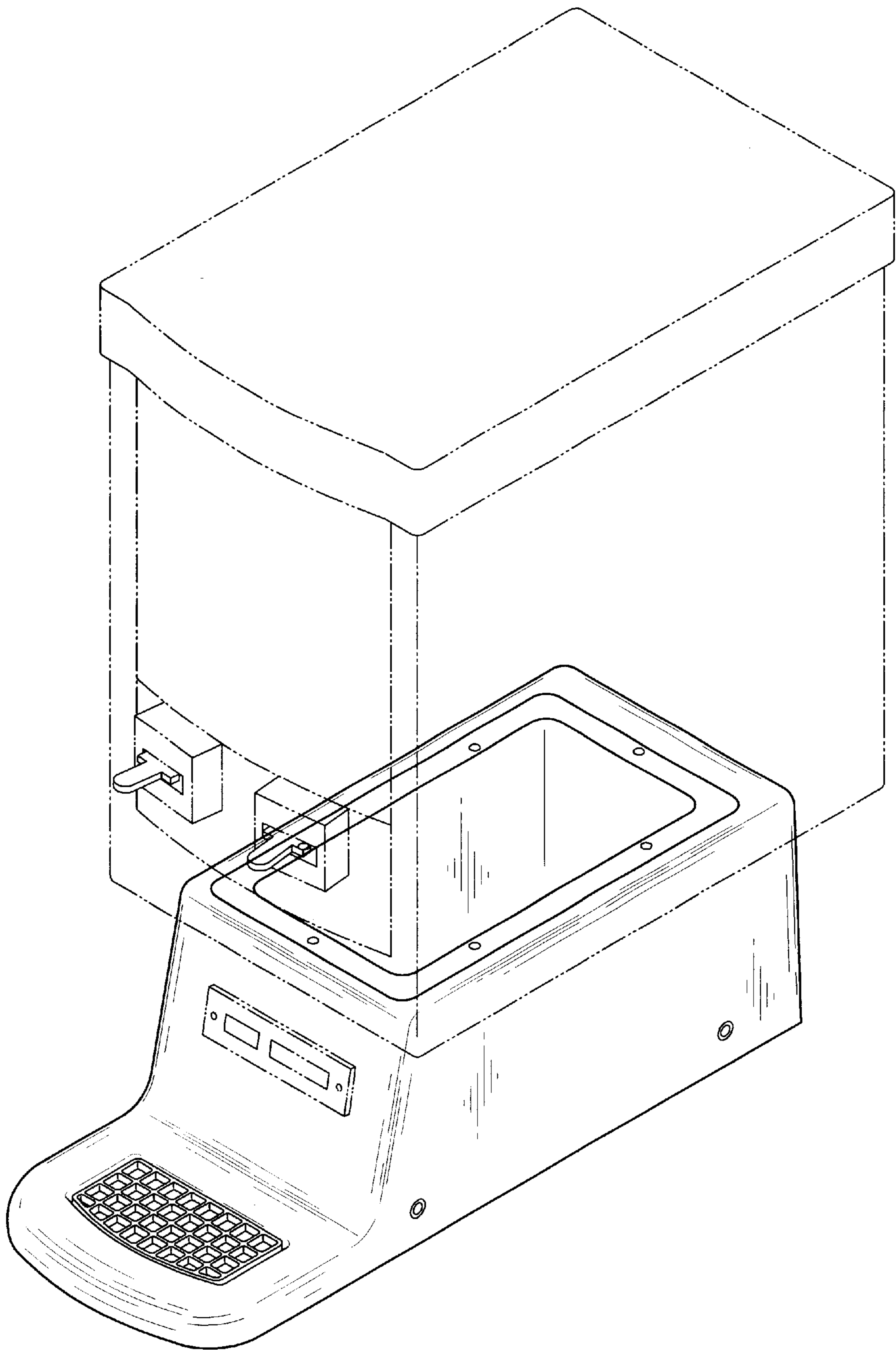
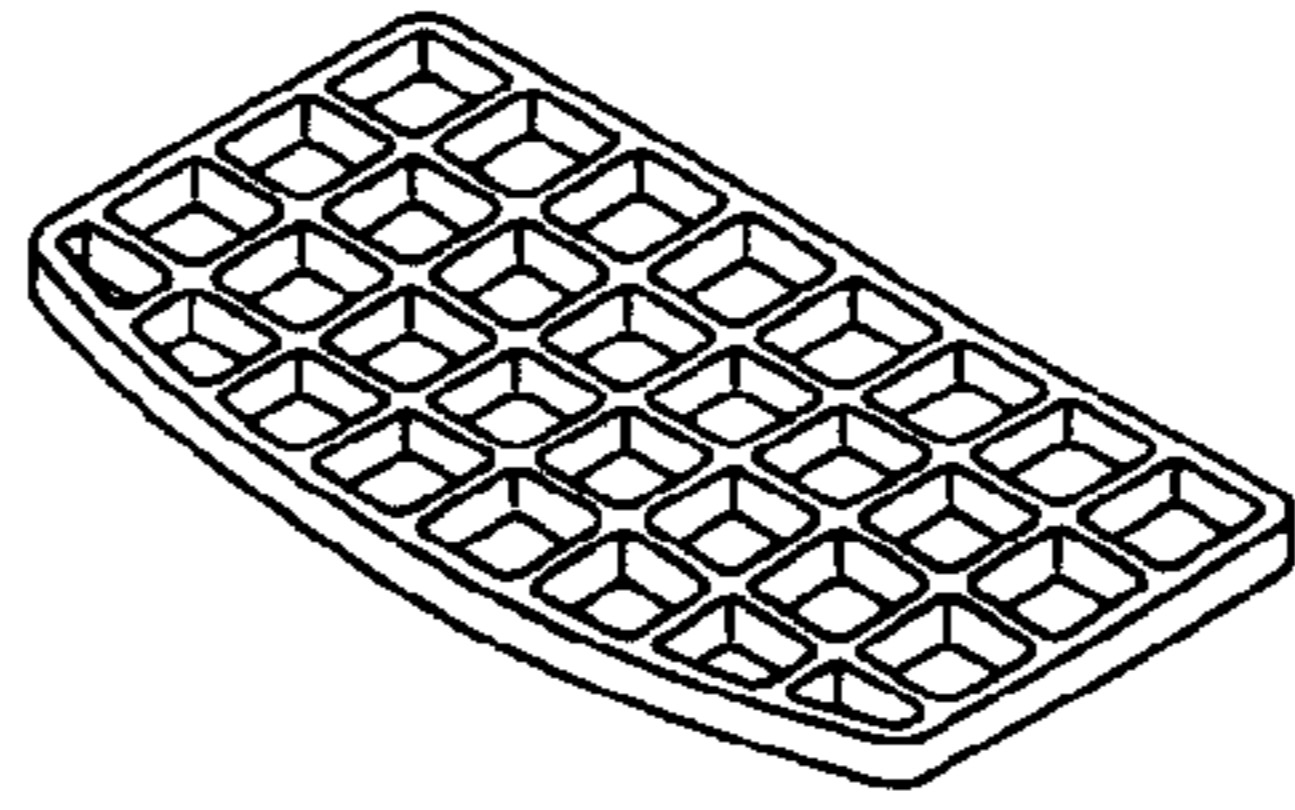


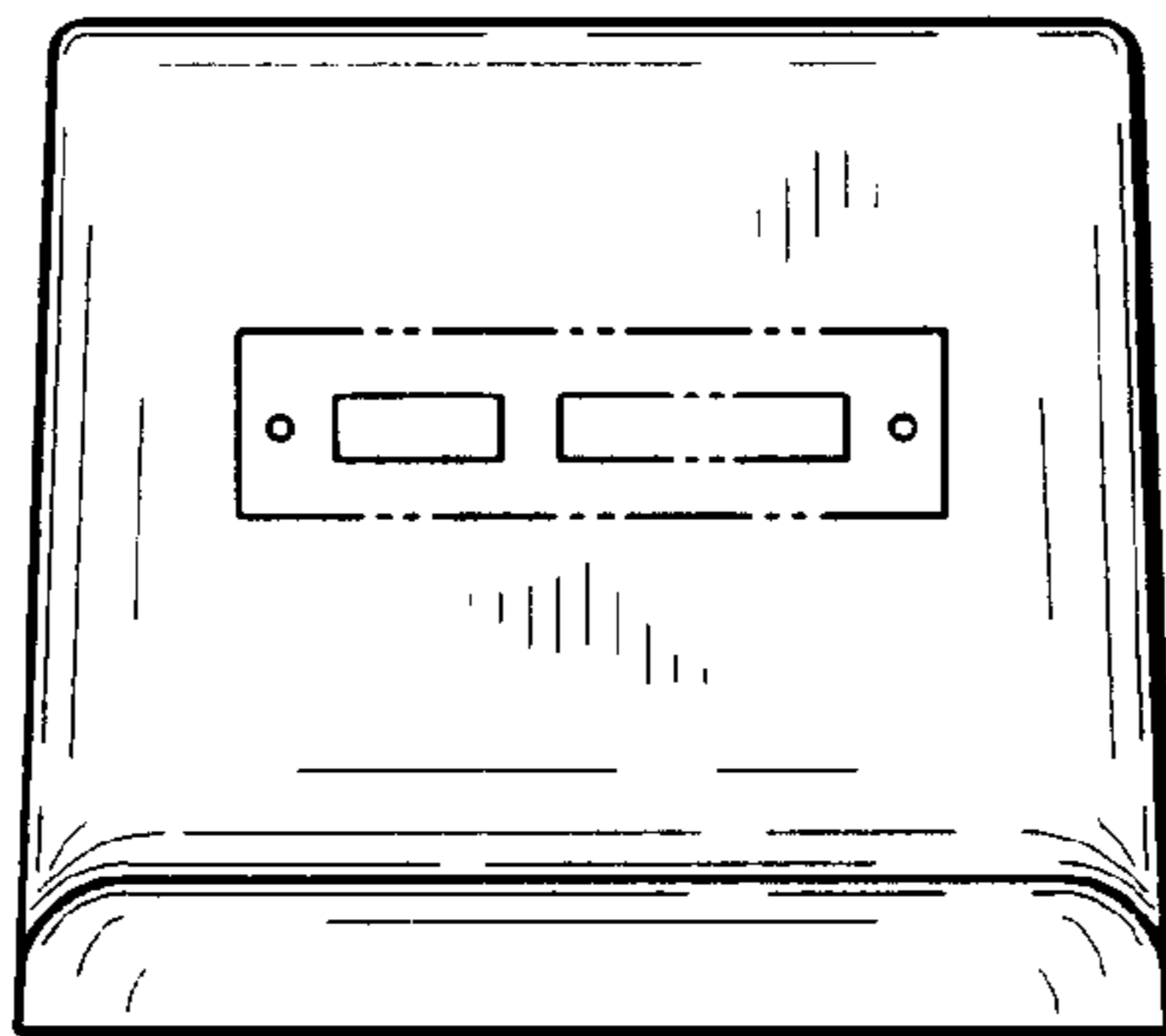
FIG. 1



*FIG. 2*



*FIG. 3*



*FIG. 4*

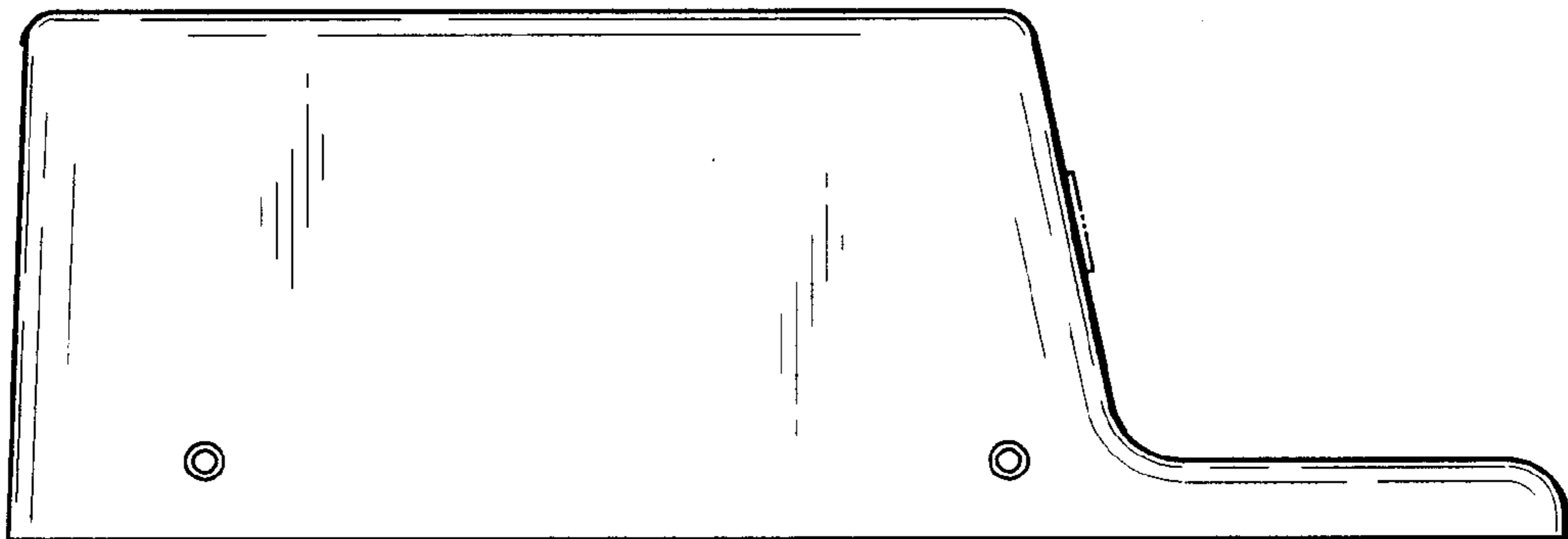


FIG. 5

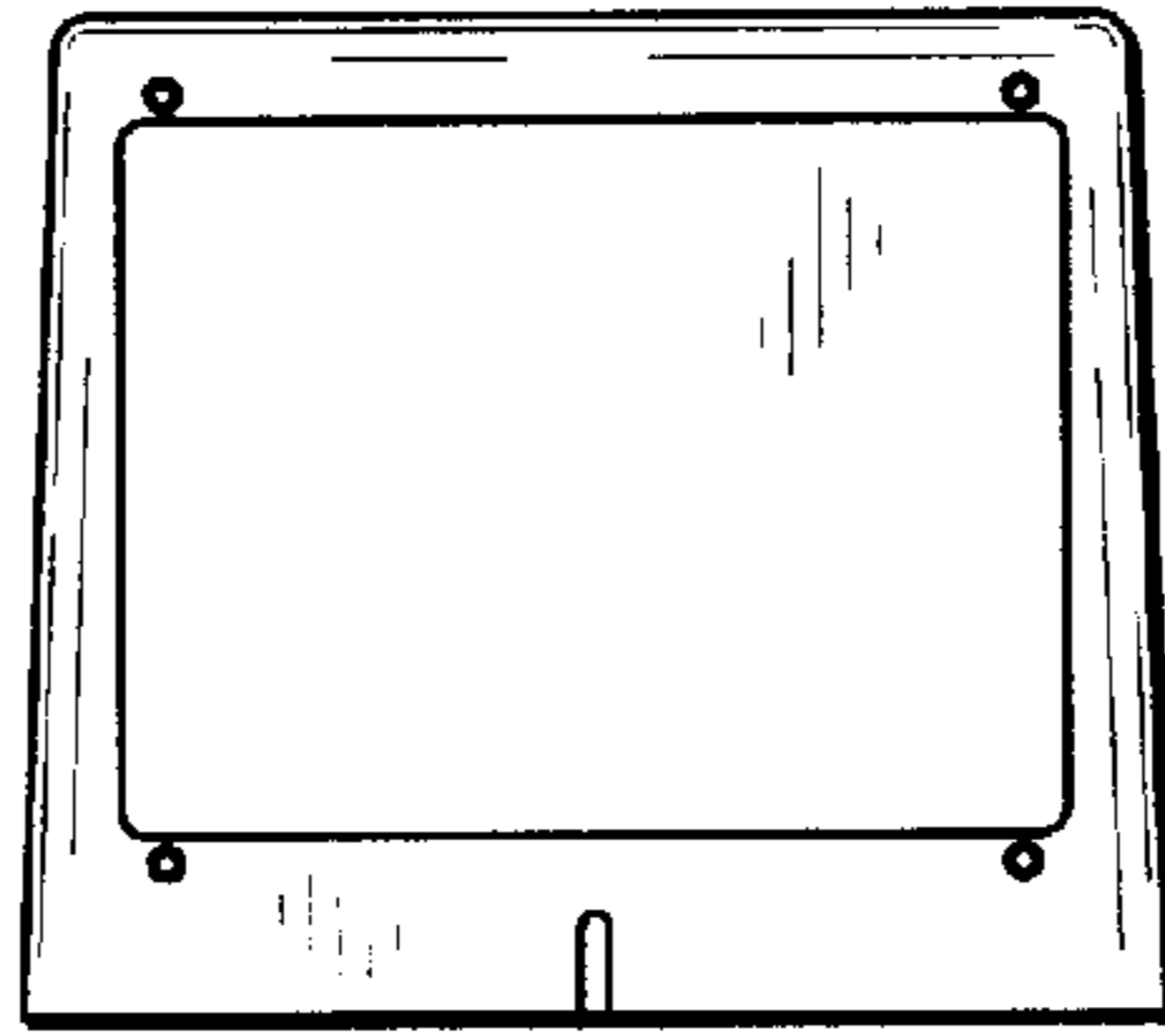


FIG. 6

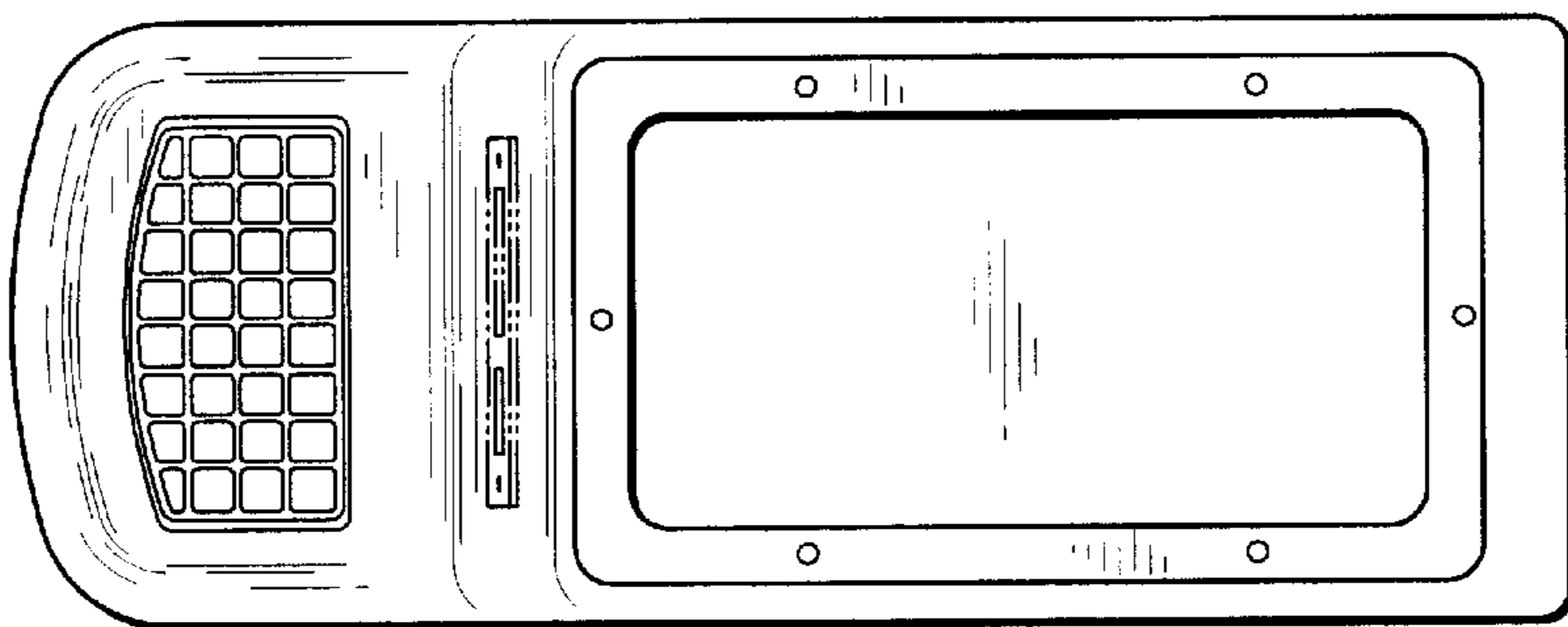


FIG. 7

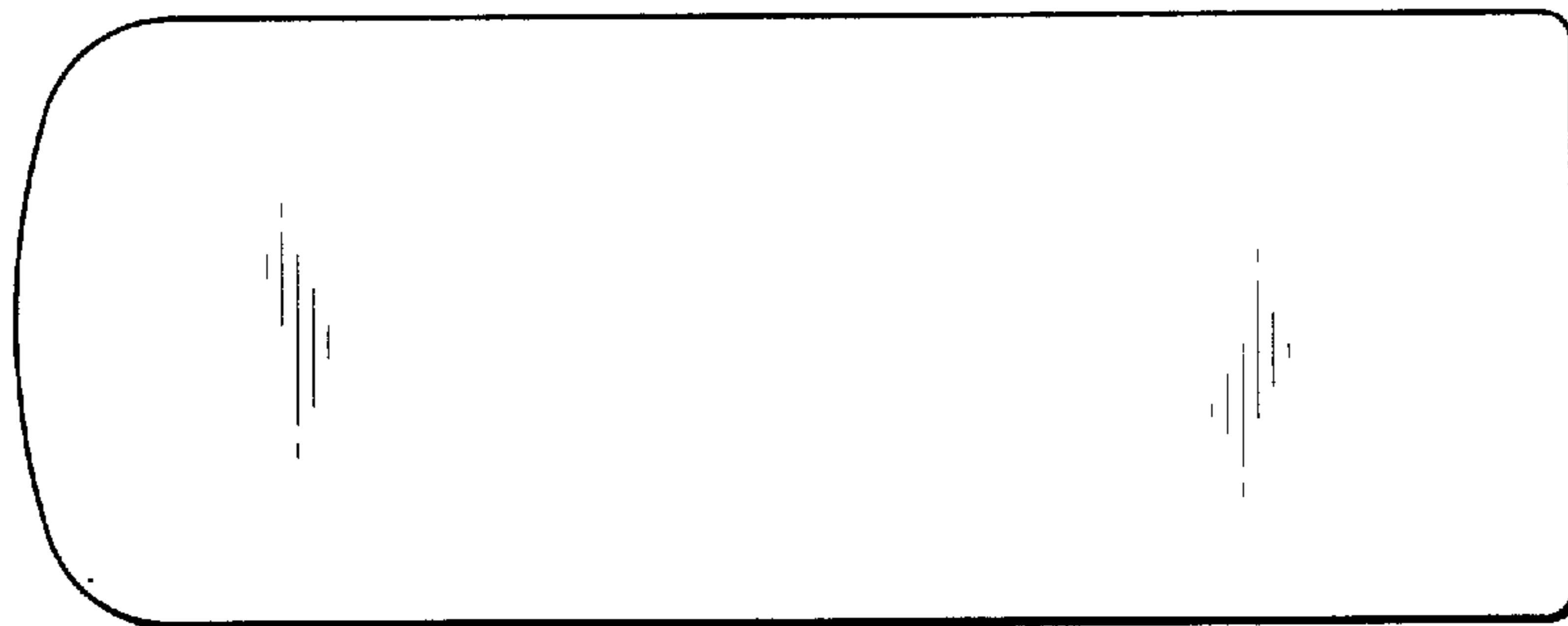


FIG. 8

