



US00D449762B1

(12) **United States Design Patent**
Jacober et al.

(10) **Patent No.:** **US D449,762 S**

(45) **Date of Patent:** **** Oct. 30, 2001**

(54) **BLENDER**

D. 391,802 * 3/1998 Wong D7/378
D. 426,742 * 6/2000 Gartz et al. D7/376

(75) Inventors: **Jeffrey M. Jacober**, Providence, RI (US); **Douglas F. Melville, Jr.**, Simsbury, CT (US)

* cited by examiner

Primary Examiner—Caron D. Veynar

(73) Assignee: **MEDport, Inc.**, Providence, RI (US)

(74) *Attorney, Agent, or Firm*—Cook, Alex, McFarron, Manzo, Cummings, Mehler, Ltd.

(**) Term: **14 Years**

(57) **CLAIM**

(21) Appl. No.: **29/130,484**

The ornamental design for a blender, as shown and described.

(22) Filed: **Oct. 2, 2000**

DESCRIPTION

(51) **LOC (7) Cl.** **31-00**

(52) **U.S. Cl.** **D7/376**

(58) **Field of Search** D7/376-386, 317-319; 366/64, 65, 66, 241, 247, 279, 341

FIG. 1 is a perspective view of a blender showing the new design;

FIG. 2 is a top plan view thereof;

FIG. 3 is a bottom plan view thereof;

FIG. 4 is an elevational view thereof;

FIG. 5 is another elevational view thereof, rotated 90° from

FIG. 4, the opposite side view is a mirror image thereof;

FIG. 6 is an elevational view thereof, rotated 180° from

FIG. 4.

(56) **References Cited**

U.S. PATENT DOCUMENTS

- D. 167,259 * 7/1952 Fox D7/376
- D. 181,143 * 10/1957 Gundelfinger D7/376
- D. 321,301 * 11/1991 Purkapile D7/376
- D. 365,246 * 12/1995 Staffin et al. D7/376

1 Claim, 2 Drawing Sheets

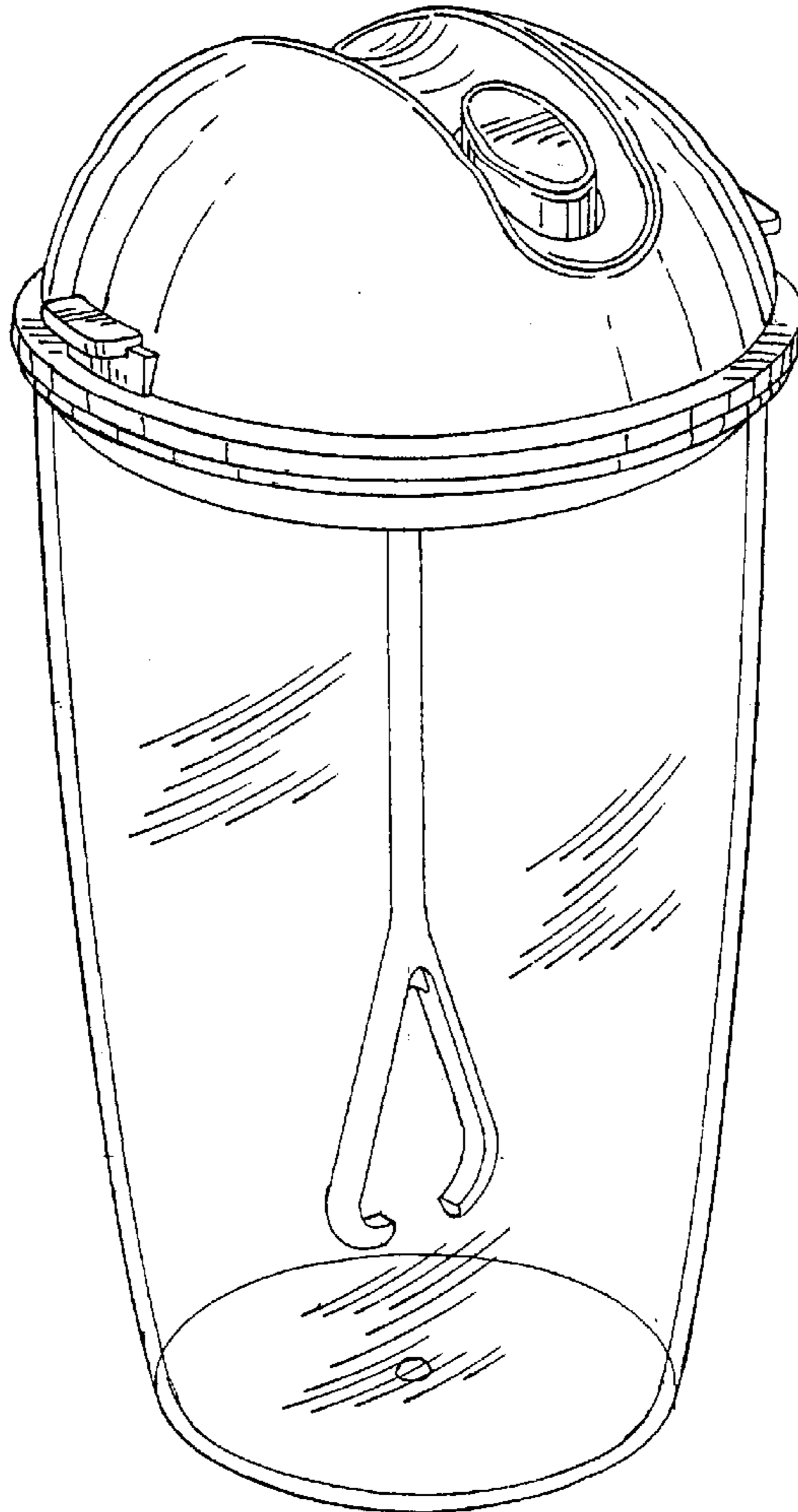


FIG.1

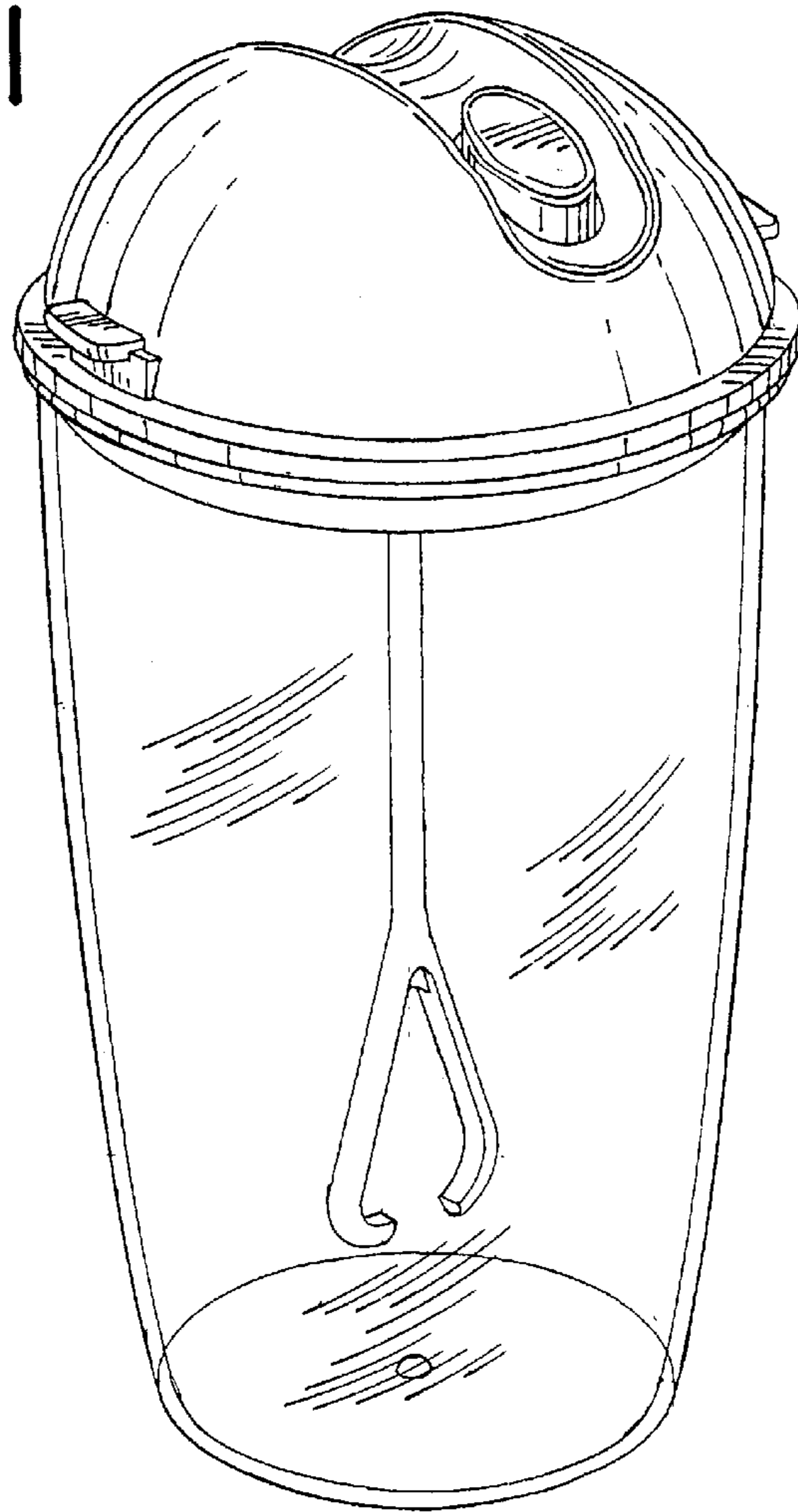


FIG.2

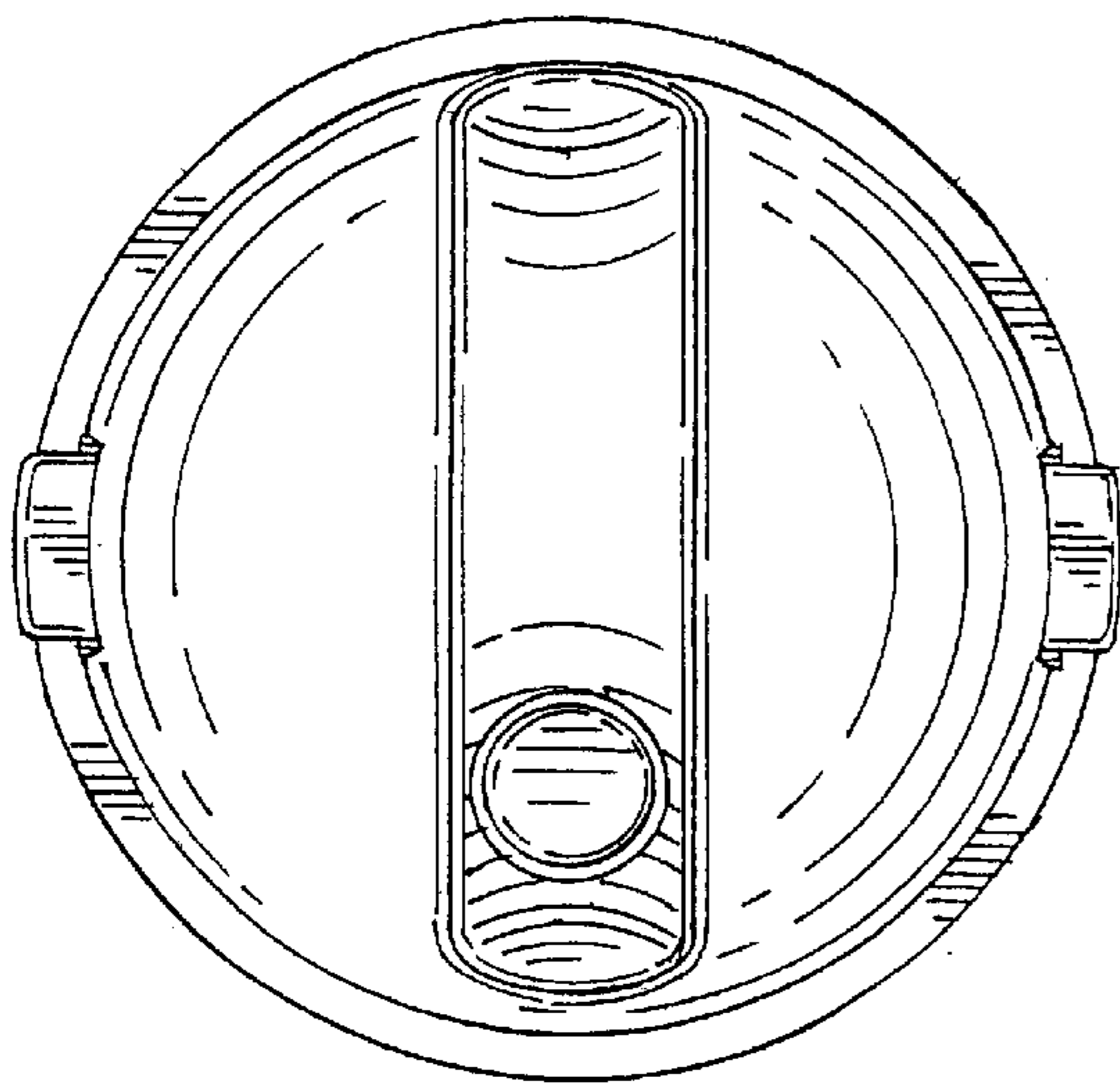


FIG.3

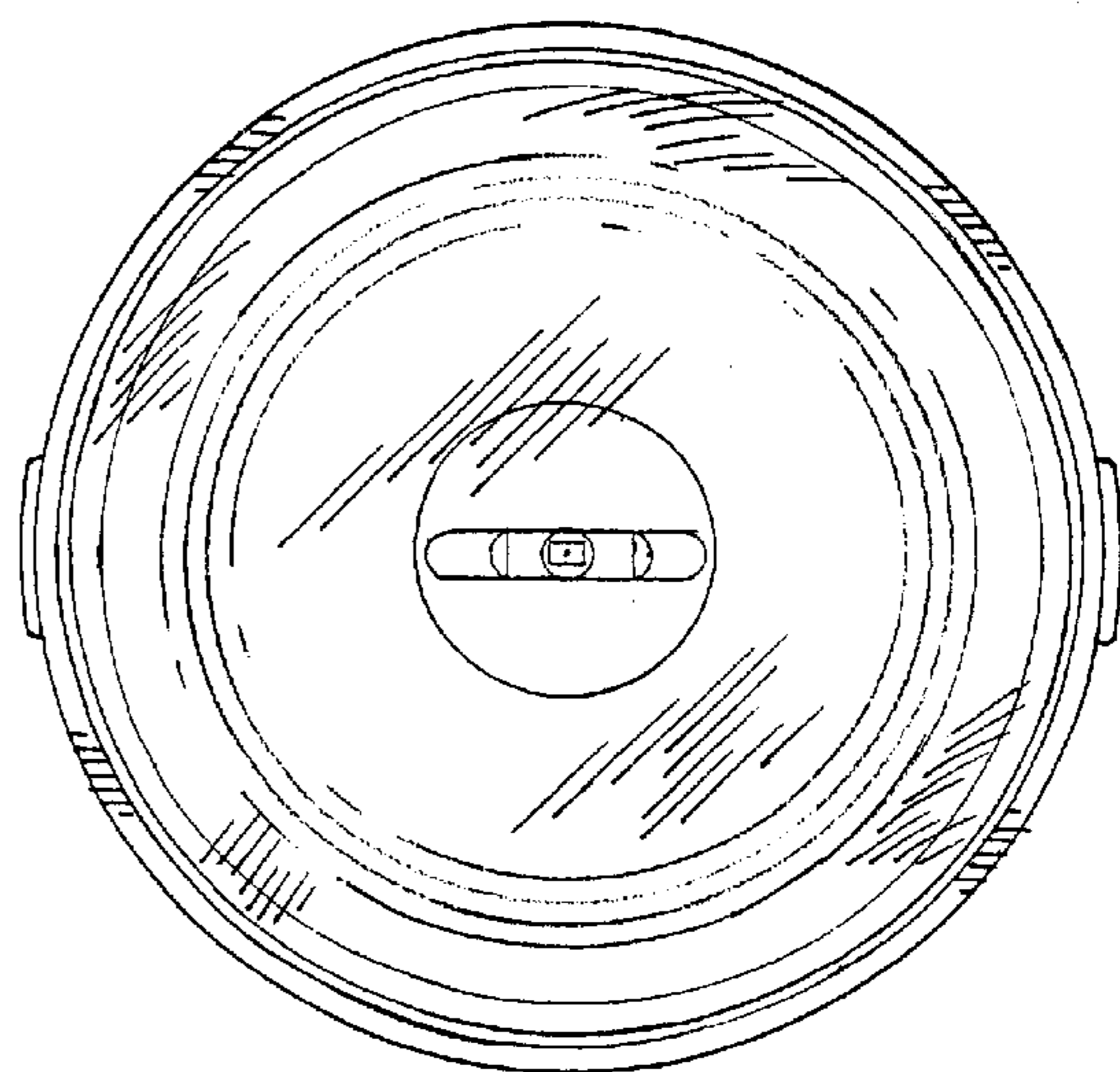


FIG.6

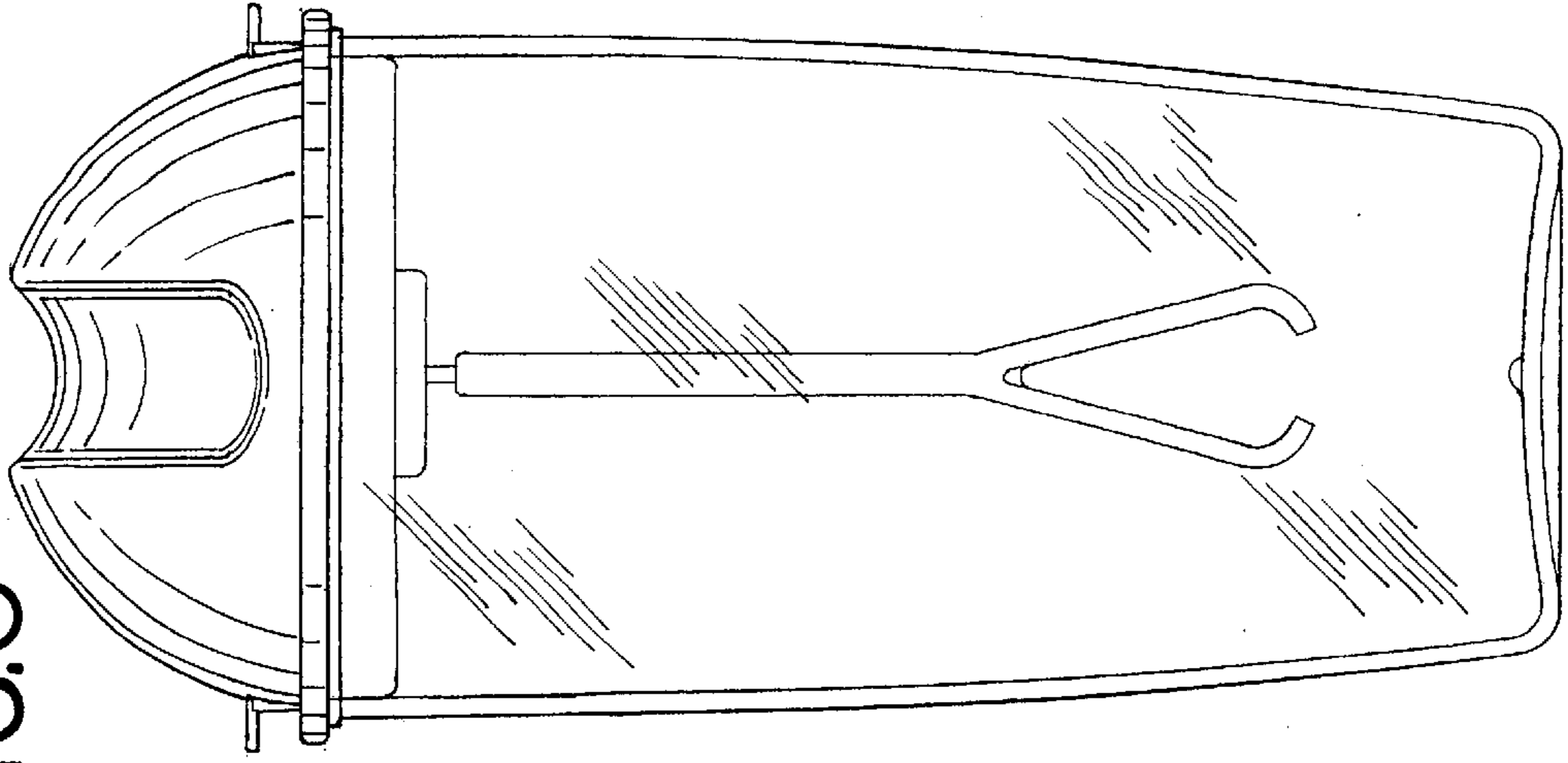


FIG.5

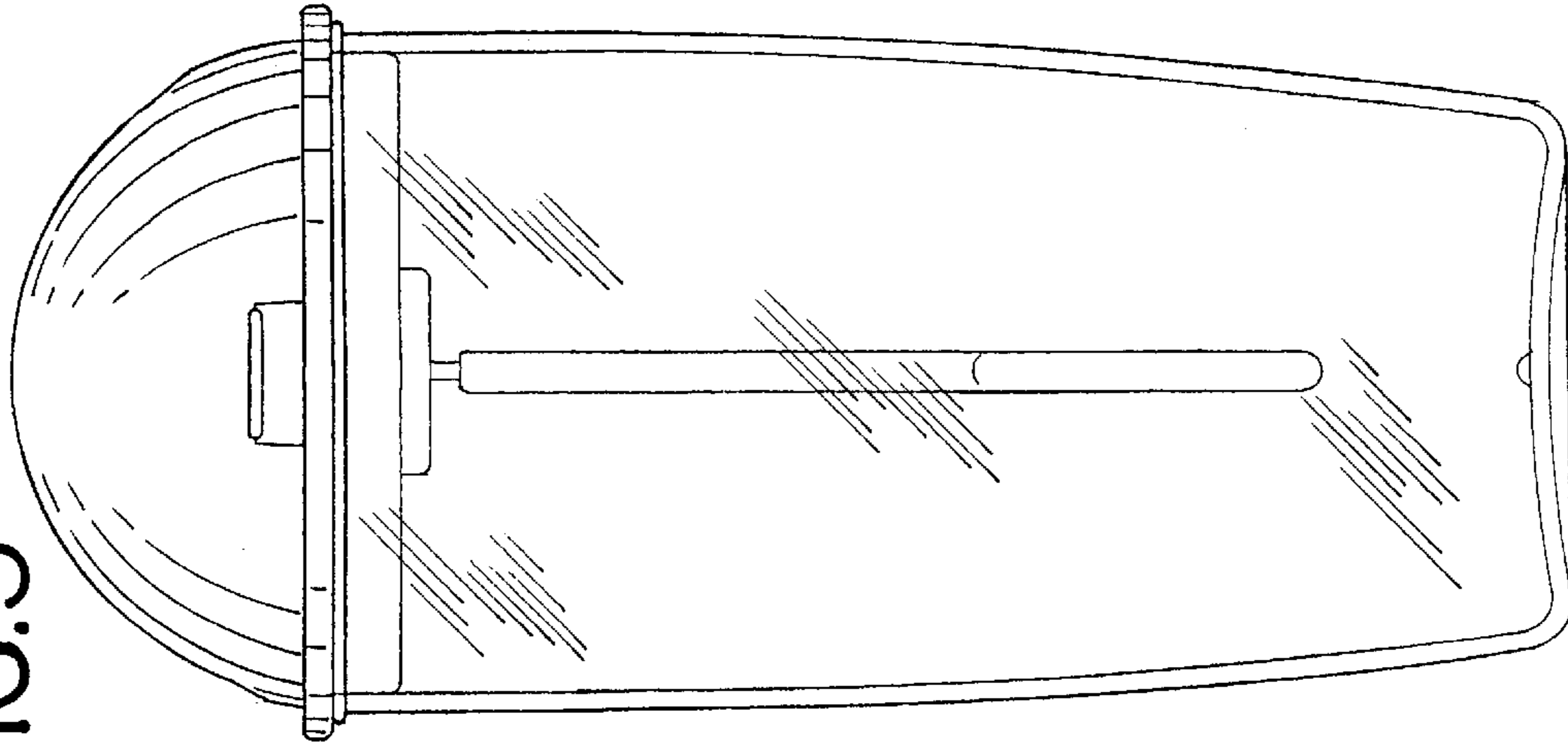


FIG.4

