



US00D449759B1

(12) **United States Design Patent**
Lin

(10) **Patent No.:** **US D449,759 S**

(45) **Date of Patent:** **** Oct. 30, 2001**

(54) **COFFEE MAKER**

(75) **Inventor:** **Yu-Yuan Lin**, Tainan (TW)

(73) **Assignee:** **Uni-Splendor Corp.**, Tainan (TW)

(**) **Term:** **14 Years**

(21) **Appl. No.:** **29/118,555**

(22) **Filed:** **Feb. 11, 2000**

(51) **LOC (7) Cl.** **07-01**

(52) **U.S. Cl.** **D7/309; D7/311**

(58) **Field of Search** **D7/309, 310, 311,**
D7/300; 99/280, 285, 293, 289 R, 279;
222/169

(56) **References Cited**

U.S. PATENT DOCUMENTS

D. 300,104	*	3/1989	Cortese	D7/309
D. 337,688	*	7/1993	Diefenbach	D7/309
D. 338,590	*	8/1993	Dingelstad et al.	D7/309
D. 340,162	*	10/1993	Storsberg	D7/309
D. 346,524	*	5/1994	Saltet	D7/309
D. 366,982	*	2/1996	Amiel	D7/309
D. 408,208	*	4/1999	Hsu	D7/309

D. 427,002	*	6/2000	Lin	D7/309
D. 429,594	*	8/2000	Lin	D7/309
D. 432,849	*	10/2000	Brady et al.	D7/309
D. 440,811	*	4/2001	Littmann et al.	D7/309
4,632,024	*	12/1986	Cortese	99/293
4,683,812	*	8/1987	Tarlow et al.	99/289 R

* cited by examiner

Primary Examiner—M. N. Pandozzi

(74) *Attorney, Agent, or Firm*—Bacon & Thomas, PLLC

(57) **CLAIM**

The ornamental design for a coffee maker, as shown and described.

DESCRIPTION

FIG. 1 is a perspective view of a coffee maker showing my new design;

FIG. 2 is a right side elevational view thereof;

FIG. 3 is a top plan view thereof;

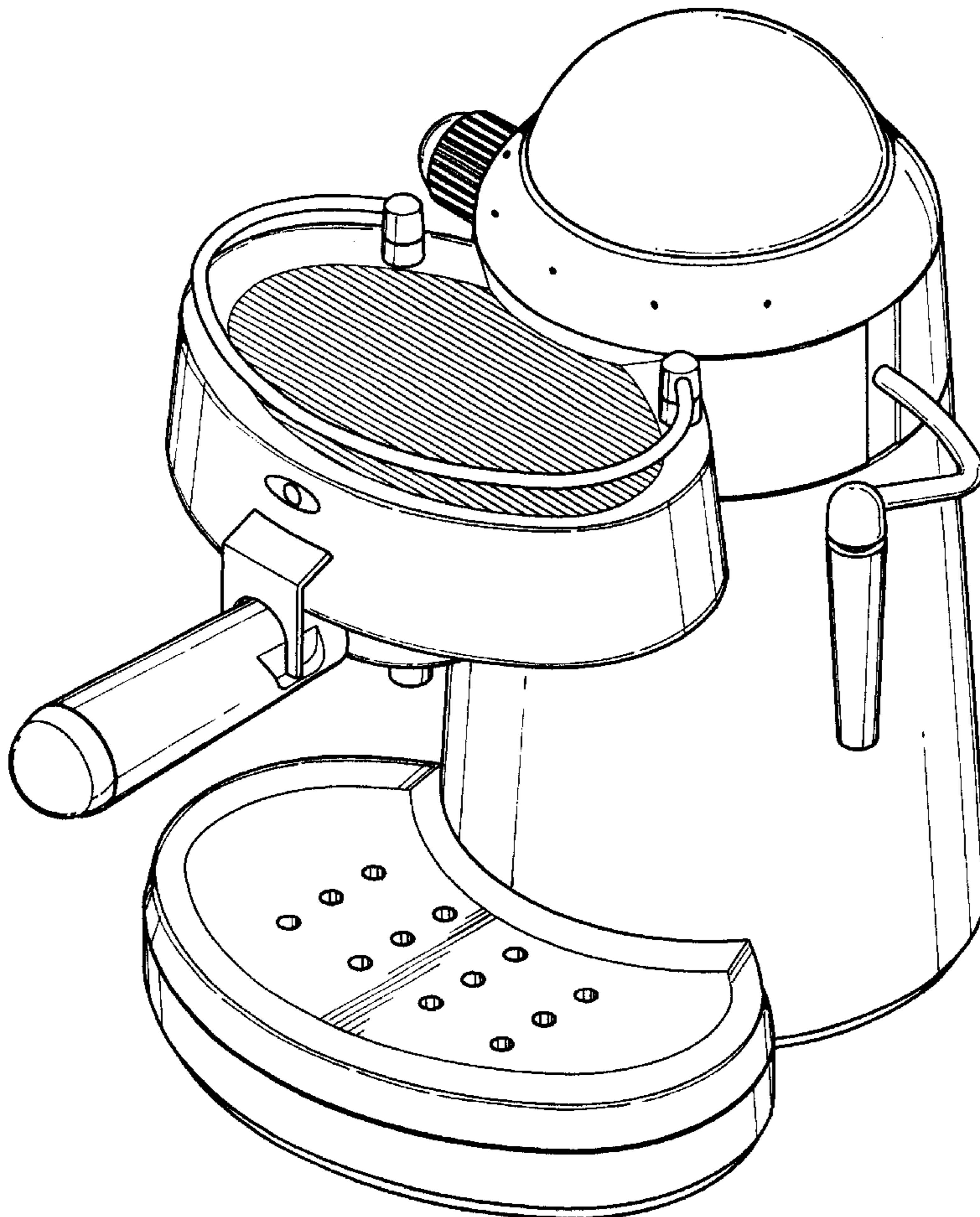
FIG. 4 is a front elevational view thereof;

FIG. 5 is a bottom plan view thereof;

FIG. 6 is a left side elevational view thereof; and,

FIG. 7 is a rear elevational view.

1 Claim, 4 Drawing Sheets



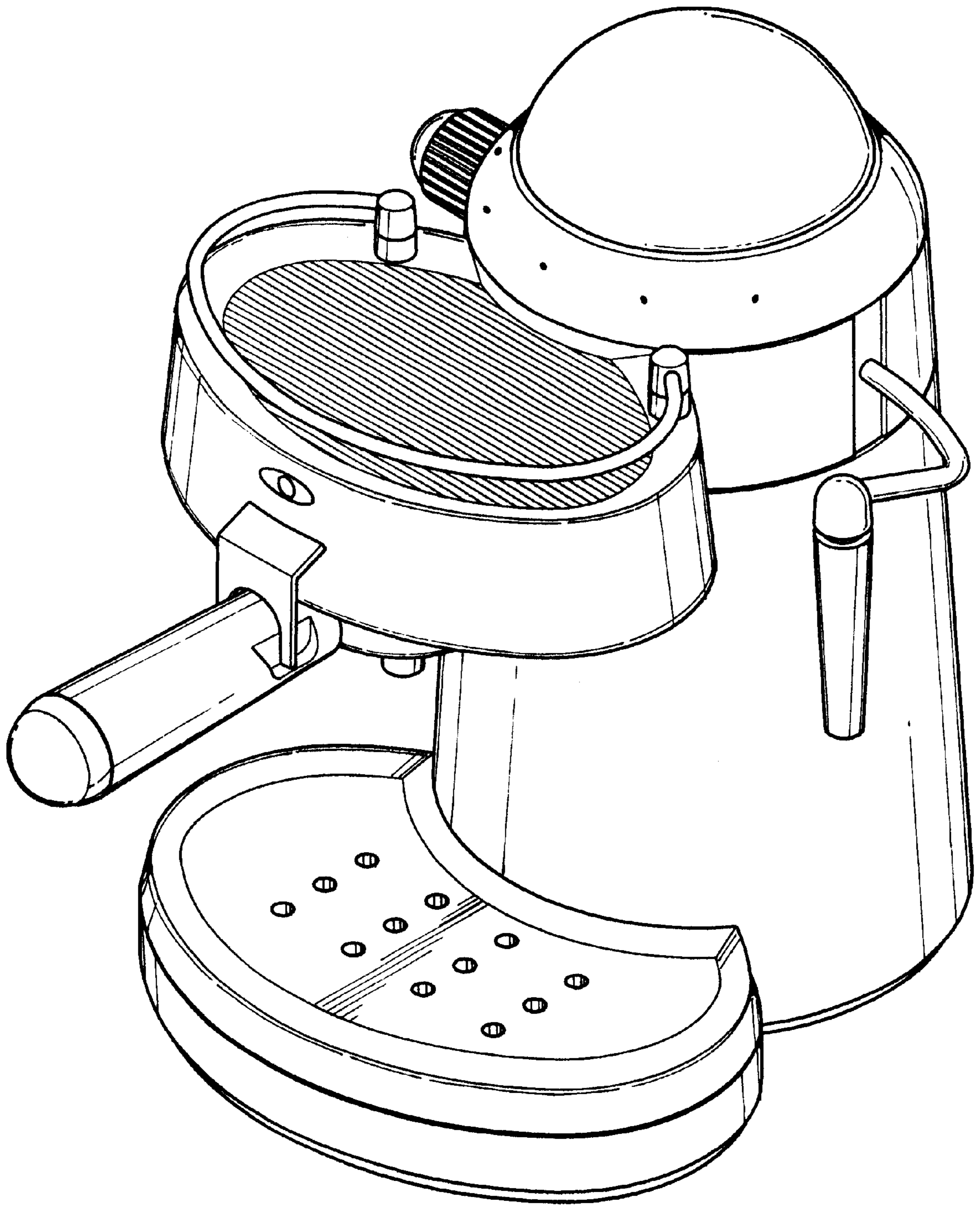


FIG. 1

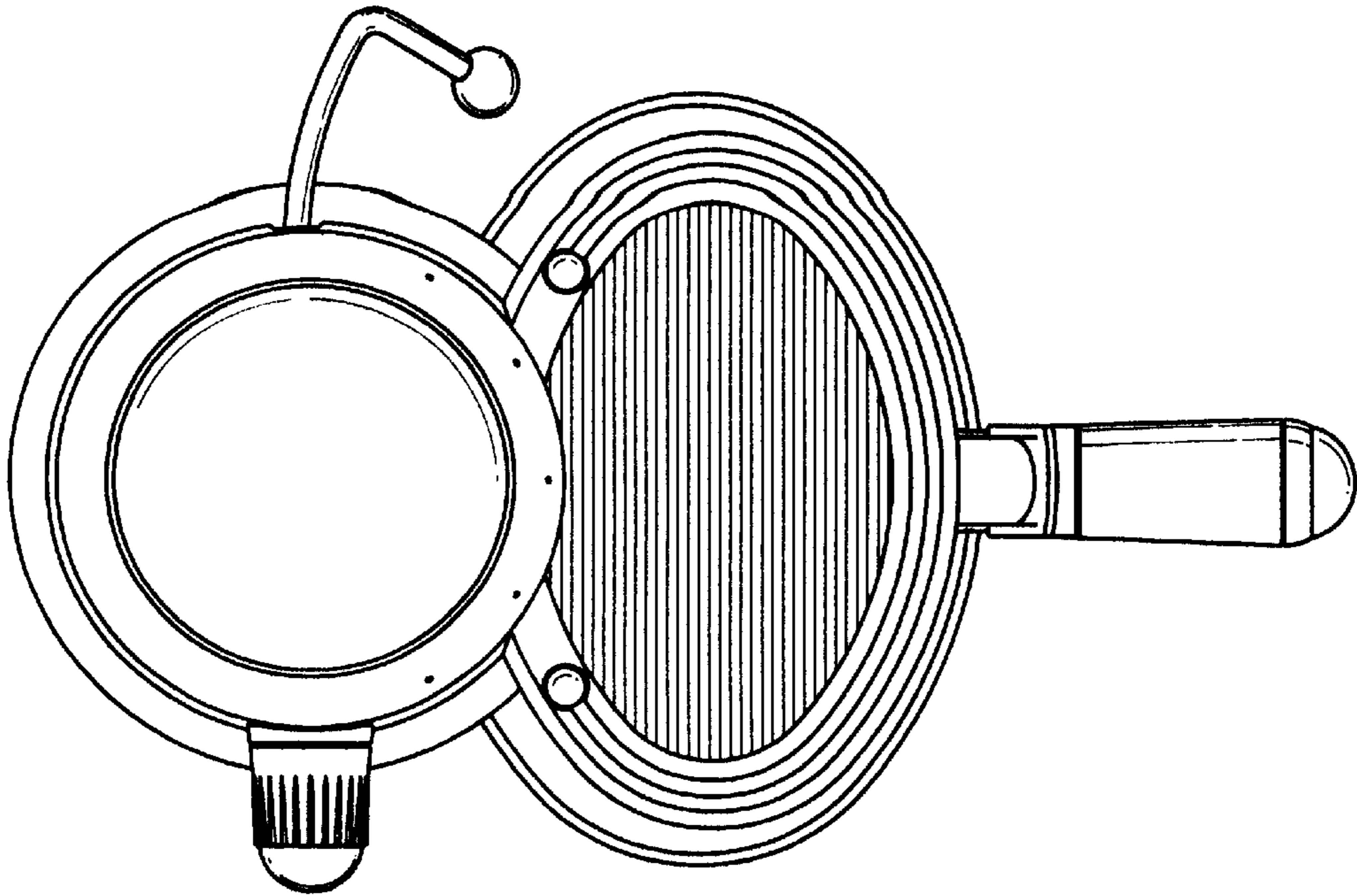


FIG. 3

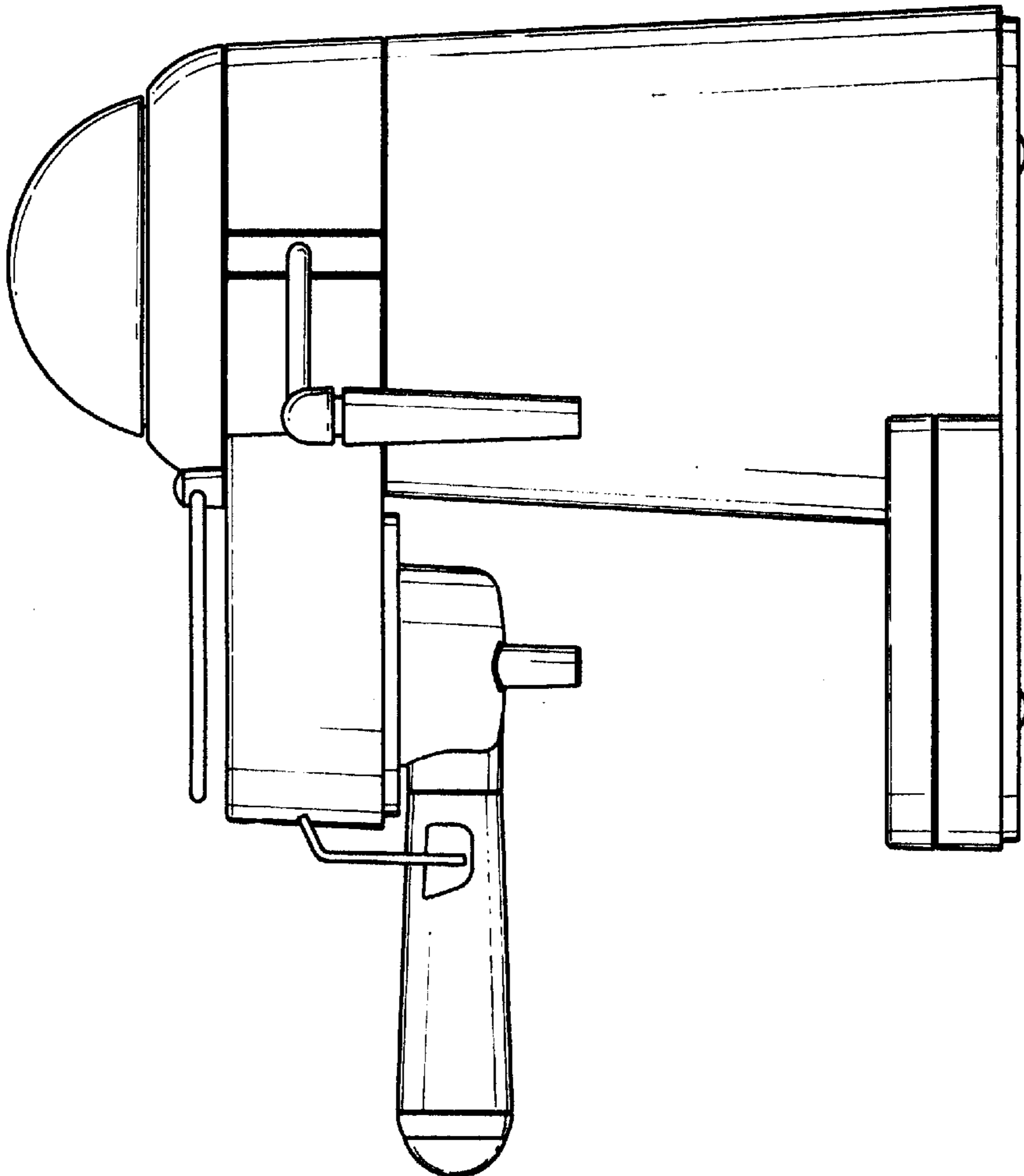


FIG. 2

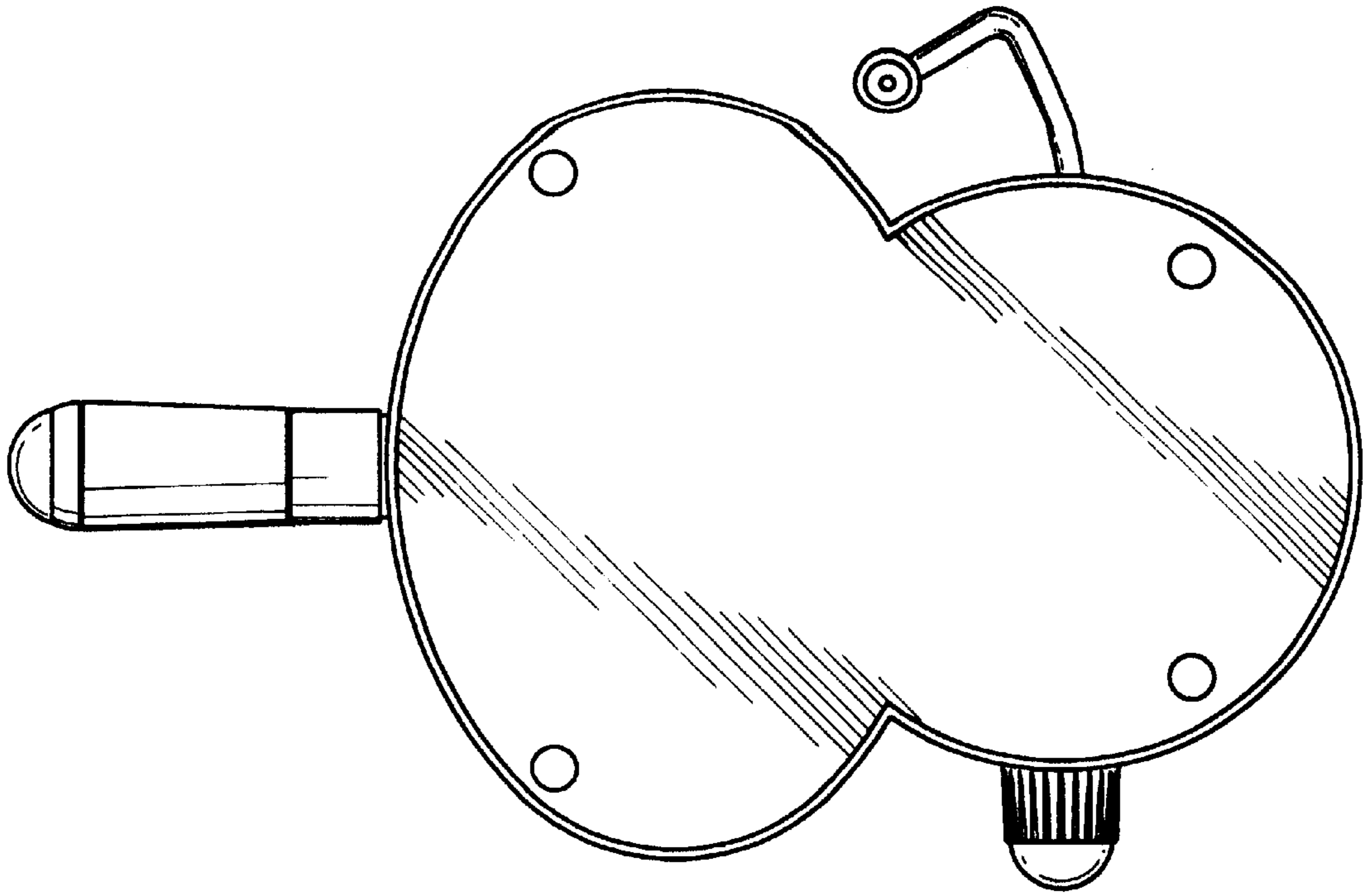


FIG. 5

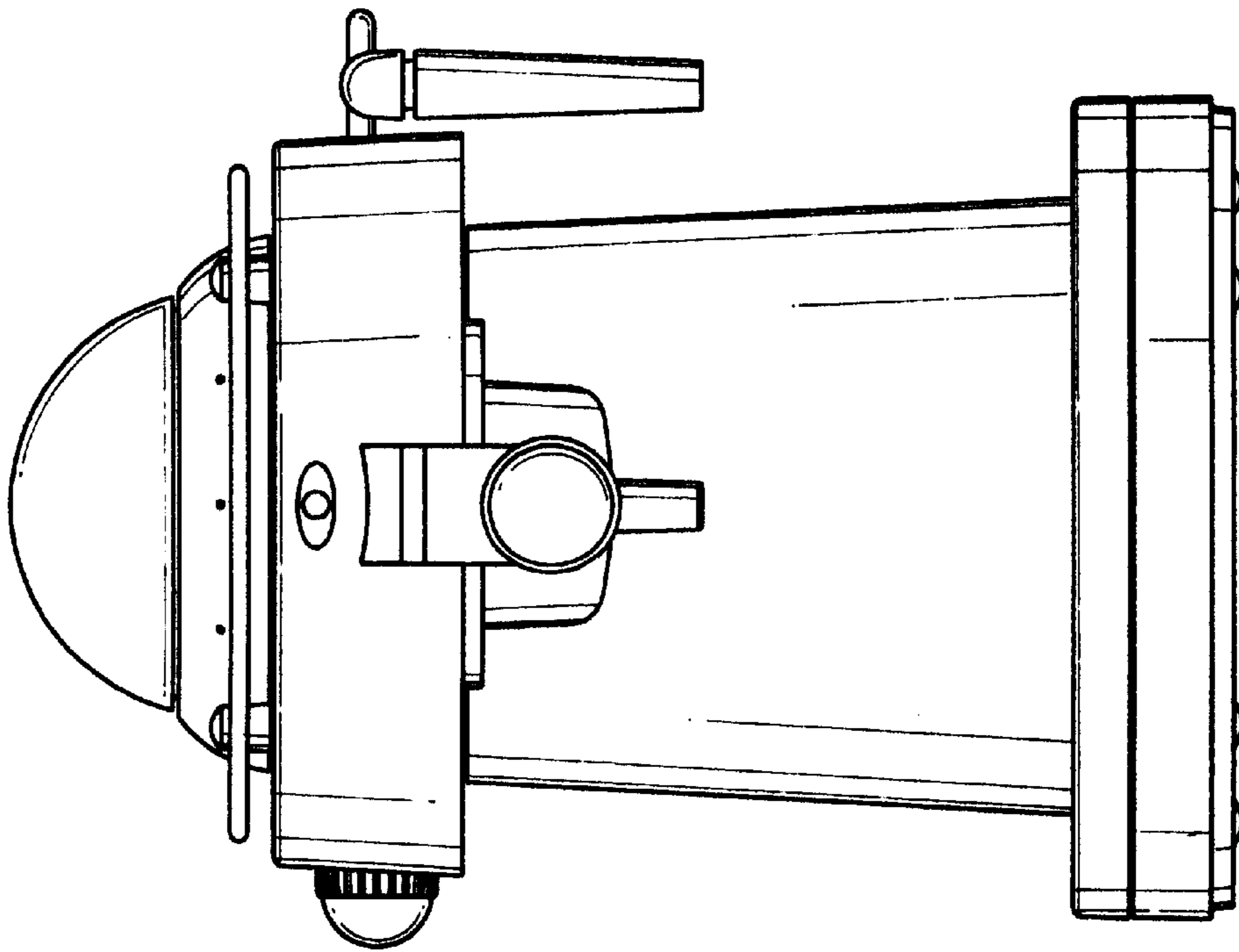


FIG. 4

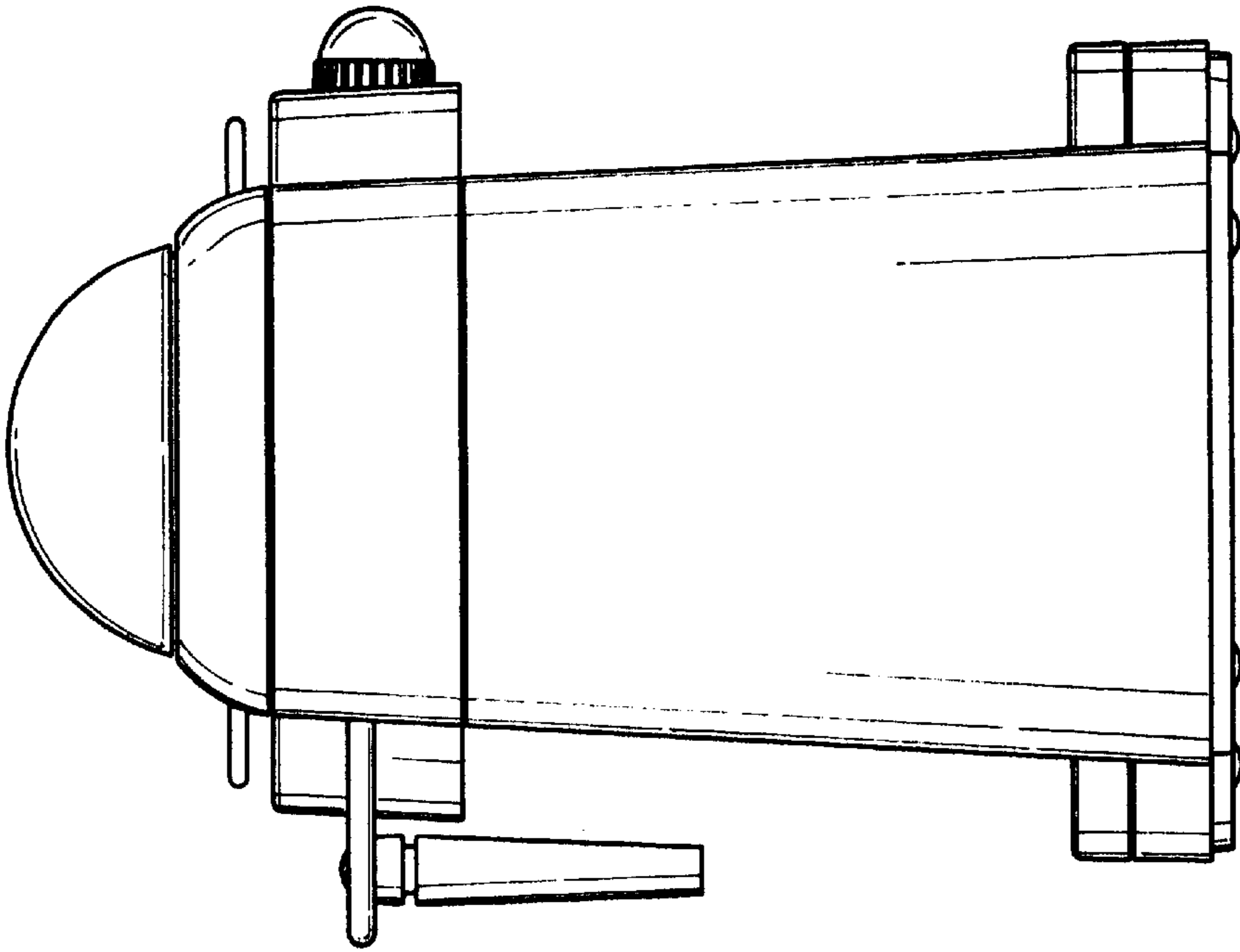


FIG. 7

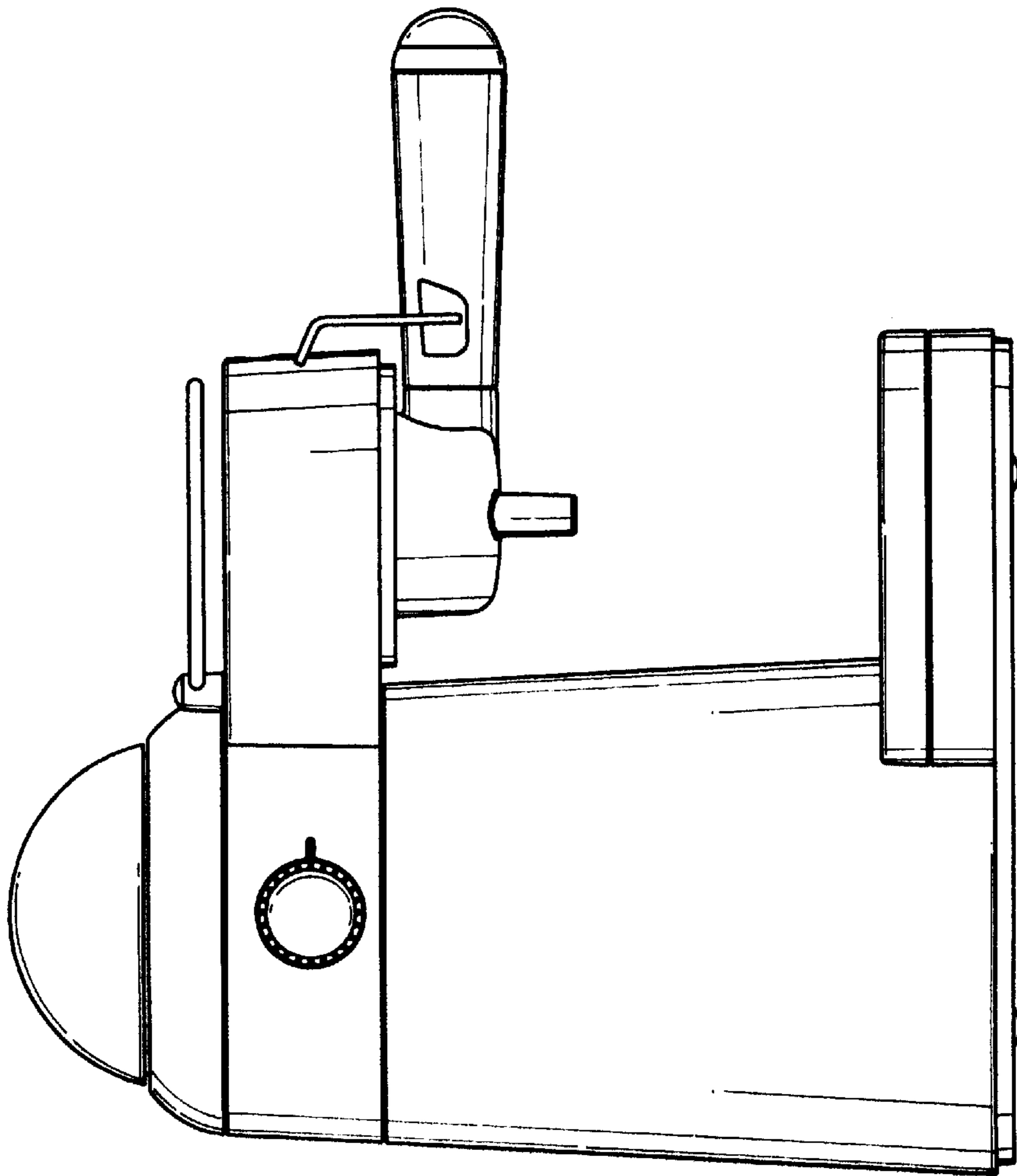


FIG. 6