



US00D449753B1

(12) **United States Design Patent**
DeKoning et al.

(10) **Patent No.:** **US D449,753 S**

(45) **Date of Patent:** **** Oct. 30, 2001**

(54) **LIQUID DISPENSER HOUSING**

(75) **Inventors:** **Paul W. DeKoning; Dave Knaub;**
I-Chiang Sun; Dana Reinisch, all of
Portland, OR (US)

(73) **Assignee:** **The Dial Corporation**, Scottsdale, AZ
(US)

(**) **Term:** **14 Years**

(21) **Appl. No.:** **29/121,588**

(22) **Filed:** **Apr. 10, 2000**

(51) **LOC (7) Cl.** **23-02**

(52) **U.S. Cl.** **D6/545**

(58) **Field of Search** D6/542-545; 222/173,
222/180, 181.1, 181.3, 282, 283

(56) **References Cited**

U.S. PATENT DOCUMENTS

- D. 312,184 11/1990 DeLuca et al. .
- D. 316,498 4/1991 Barry .

- D. 337,229 7/1993 Giugiaro .
- D. 385,139 * 10/1997 Mervar et al. D6/545
- D. 401,093 * 11/1998 Arbak et al. D6/545
- D. 417,111 * 11/1999 Polan D6/545
- D. 431,404 * 10/2000 Brazis et al. D6/545

* cited by examiner

Primary Examiner—Brian N. Vinson

(74) *Attorney, Agent, or Firm*—Snell & Wilmer L.L.P.

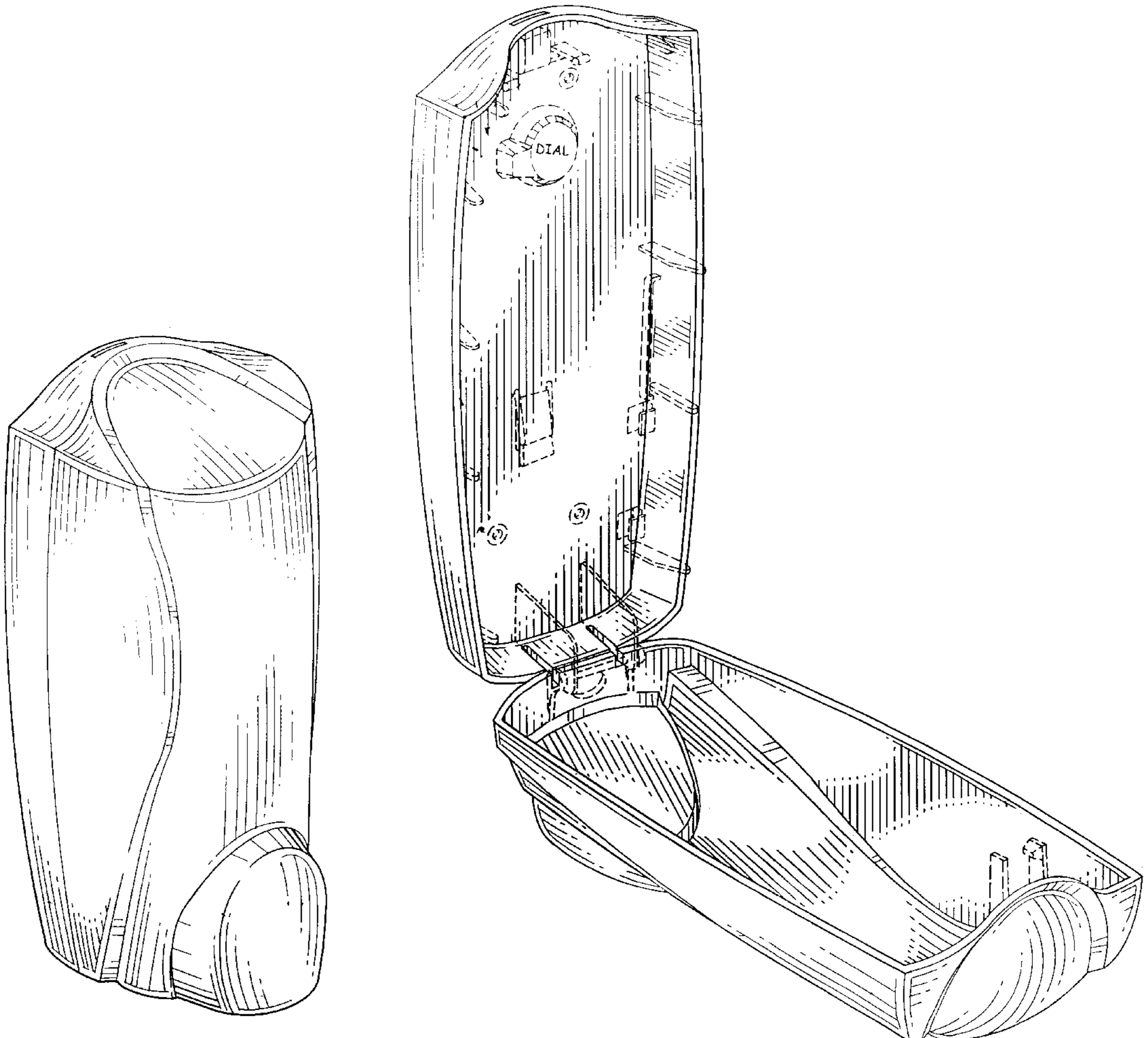
(57) **CLAIM**

The ornamental design for the liquid dispenser housing, as shown.

DESCRIPTION

FIG. 1 is a top, front, and left side perspective view of a liquid dispenser housing showing our new design, the right side being a mirror image of the left; and, FIG. 2 is a top, front, and left side perspective view thereof, with the housing in an open position and the broken-line disclosure of various elements being shown for illustrative purposes only and forming no part of the claimed design.

1 Claim, 1 Drawing Sheet



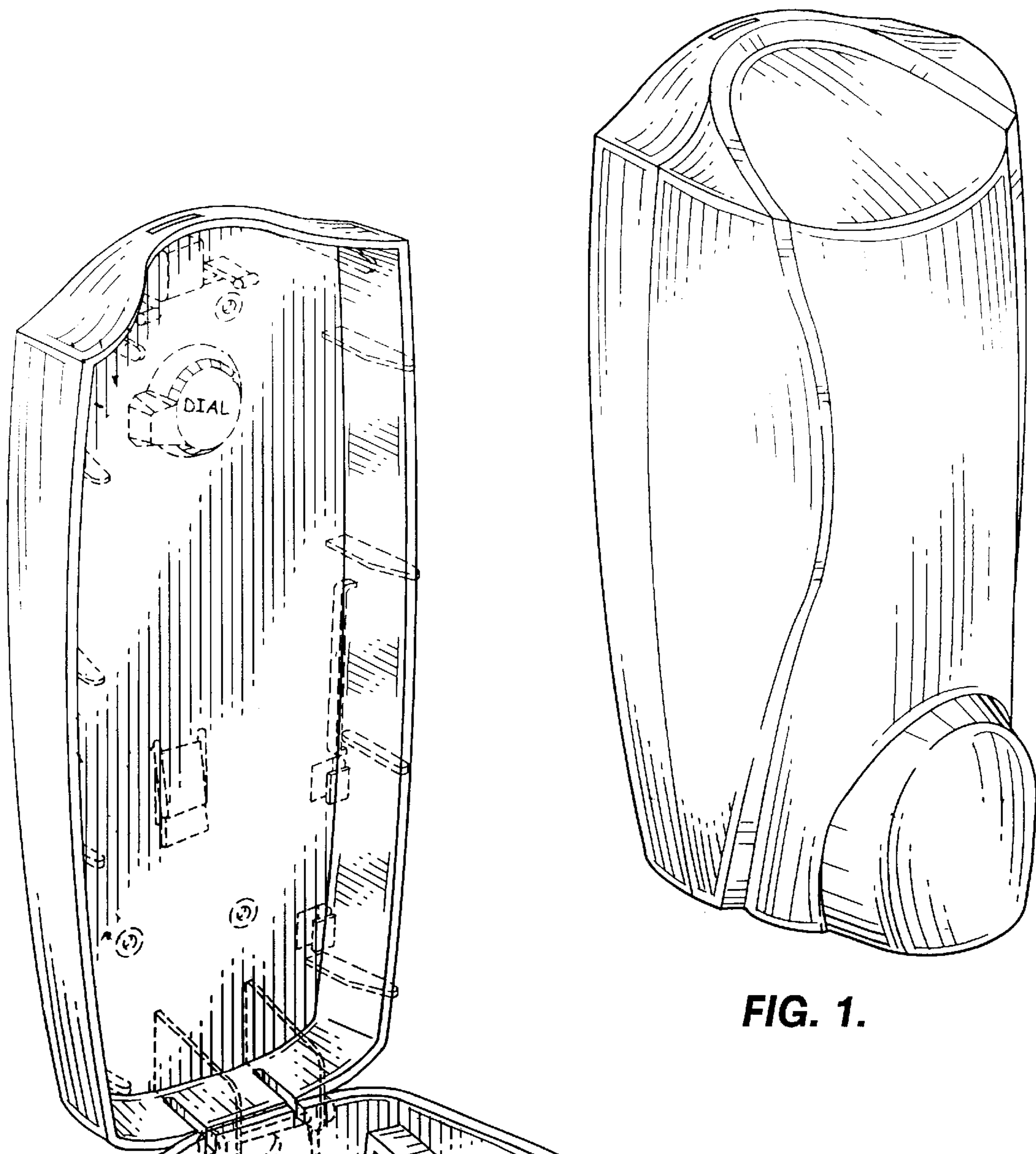


FIG. 1.

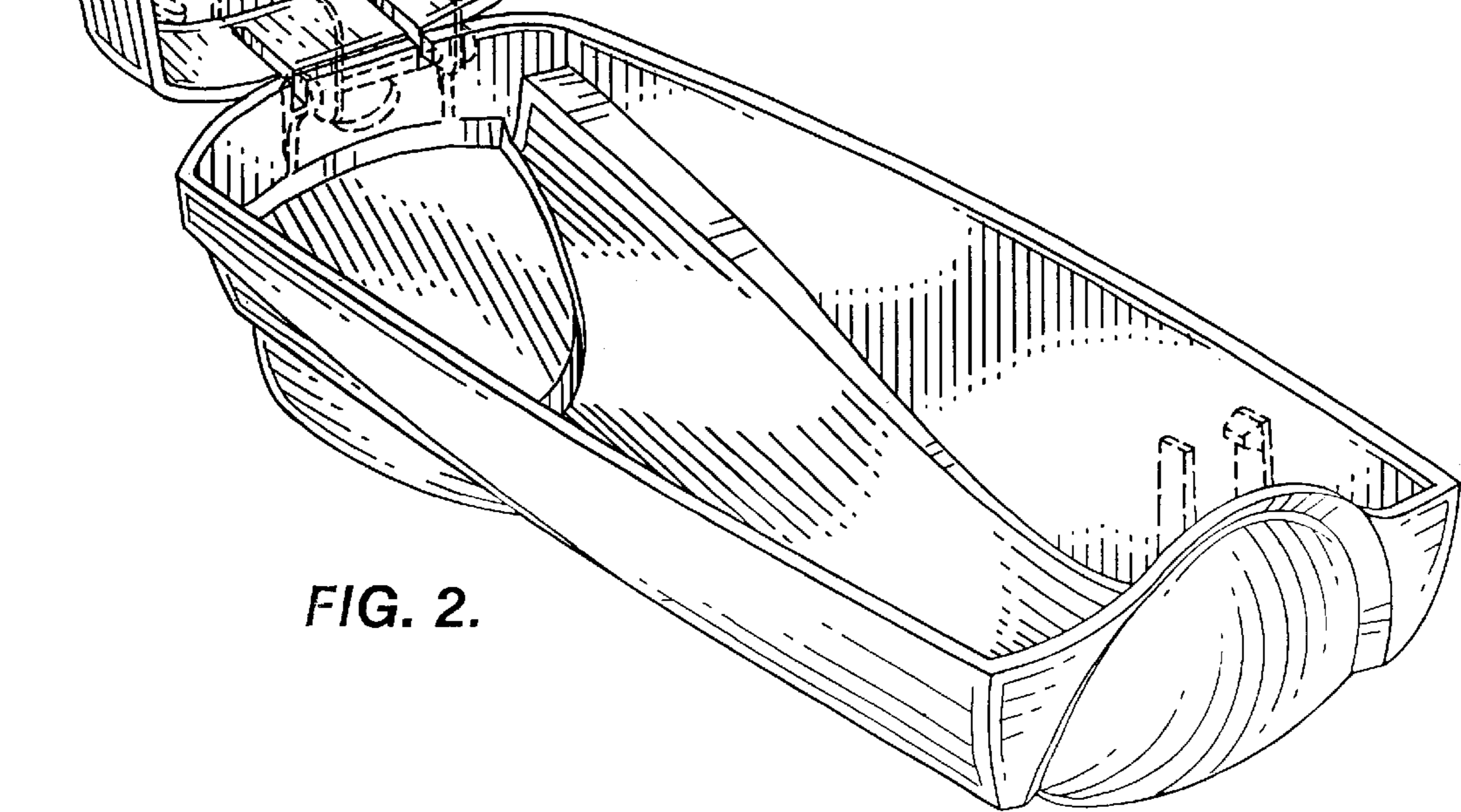


FIG. 2.