



US00D449748B1

(12) **United States Design Patent**
Martin et al.

(10) **Patent No.:** **US D449,748 S**

(45) **Date of Patent:** **** Oct. 30, 2001**

- (54) **STORAGE UNIT**
- (75) Inventors: **Kirt D. Martin**, Caledonia; **William B. Bennie**, Grand Rapids, both of MI (US)
- (73) Assignee: **Steelcase Development, Inc.**, Grand Rapids, MI (US)
- (**) Term: **14 Years**
- (21) Appl. No.: **29/137,476**
- (22) Filed: **Feb. 21, 2001**

3,871,435	3/1975	Lopatka	160/136
4,090,335	5/1978	Curatolo	52/239
4,120,124	10/1978	Temple et al.	52/122
4,219,101	8/1980	Valsvik	181/286
4,567,698	2/1986	Morrison	52/36
5,058,347	10/1991	Schuelke et al.	52/339
5,403,232	4/1995	Helm et al.	454/230
5,775,034	7/1998	Logue	52/36.1
5,852,904	12/1998	Yu et al.	52/220.7
5,870,867	2/1999	Mitchell	52/220.1
5,893,616	4/1999	MacDonald et al.	312/245
5,918,422	7/1999	Bucher, Jr.	52/36.5
6,076,308	6/2000	Lyon et al.	52/36.6
6,098,358	8/2000	Waalkes et al.	52/239
6,116,326	9/2000	Domina et al.	160/351

Related U.S. Application Data

- (62) Division of application No. 29/130,572, filed on Oct. 4, 2000, now Pat. No. Des. 441,566.
- (51) **LOC (7) Cl.** **06-04**
- (52) **U.S. Cl.** **D6/436; D6/332**
- (58) **Field of Search** D6/332, 396, 397, D6/432, 436; 52/36.1, 36.2, 36.9, 239; 312/295

Primary Examiner—Cathron C. Brooks
(74) *Attorney, Agent, or Firm*—Foley & Lardner

(57) **CLAIM**

The ornamental design for a storage unit, as shown and described.

DESCRIPTION

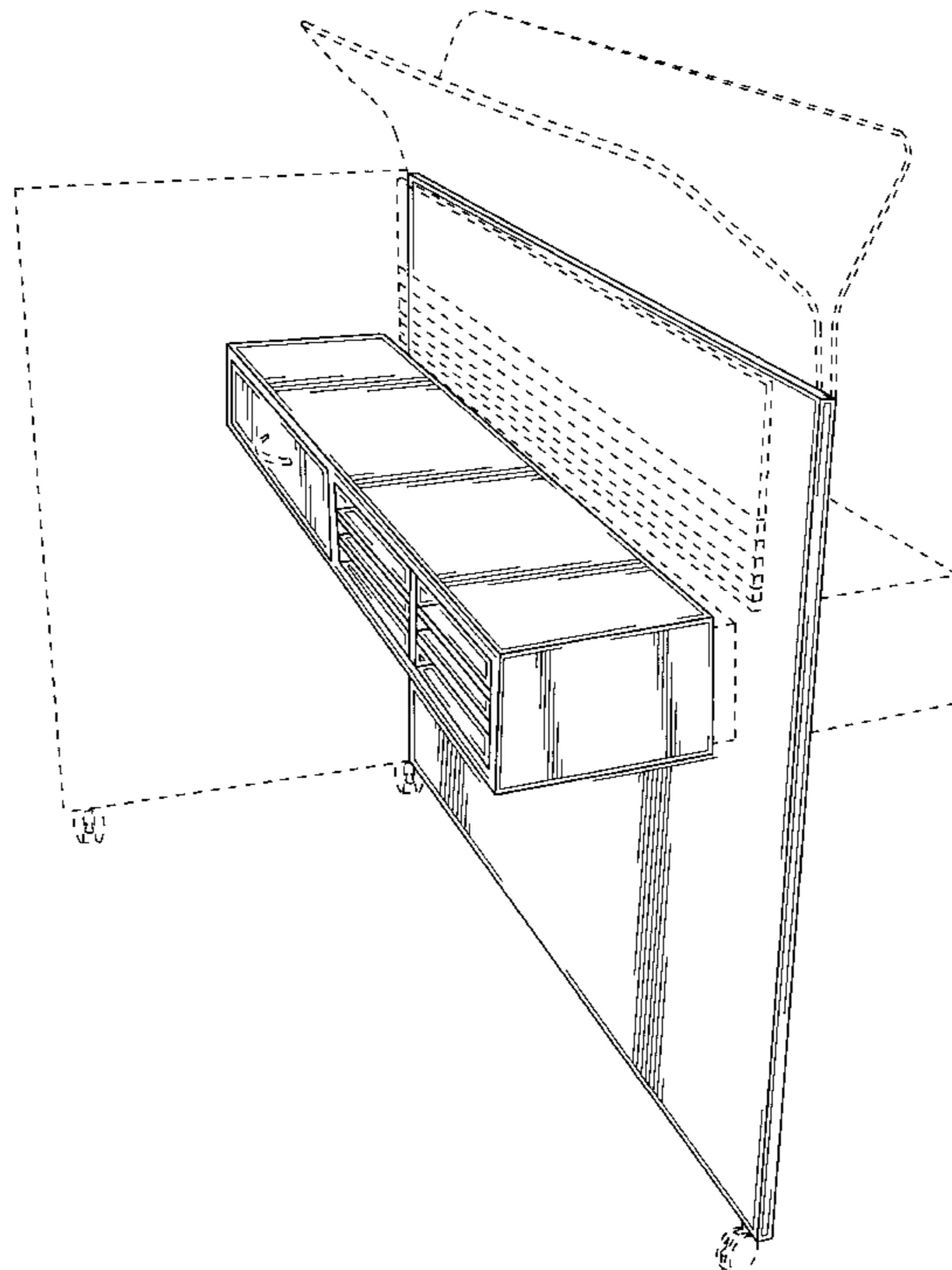
FIG. 1 is a front perspective view of a storage unit. FIG. 2 is a rear perspective view thereof. FIG. 3 is a left side elevation view thereof. FIG. 4 is a rear elevation view thereof. FIG. 5 is a right side elevation view thereof. FIG. 6 is a front elevation view thereof. FIG. 7 is a top plan view thereof; and, FIG. 8 is a bottom plan view thereof. The broken line disclosure is for illustrative purposes only and forms no part of the claimed design.

(56) **References Cited**

U.S. PATENT DOCUMENTS

Re. 28,994	10/1976	Aylworth	312/245
D. 137,791	5/1944	Doner	D6/470 X
D. 304,529	11/1989	Hontz	D6/421
D. 323,251	1/1992	Zapf	D6/422
D. 330,641	11/1992	Zapf	D6/421
D. 400,361	11/1998	Sobrito	D6/332
D. 427,784	7/2000	Domina et al.	D6/332
3,418,765	12/1968	Propst et al.	52/36.1
3,862,524	1/1975	McCracklin	52/36

1 Claim, 8 Drawing Sheets



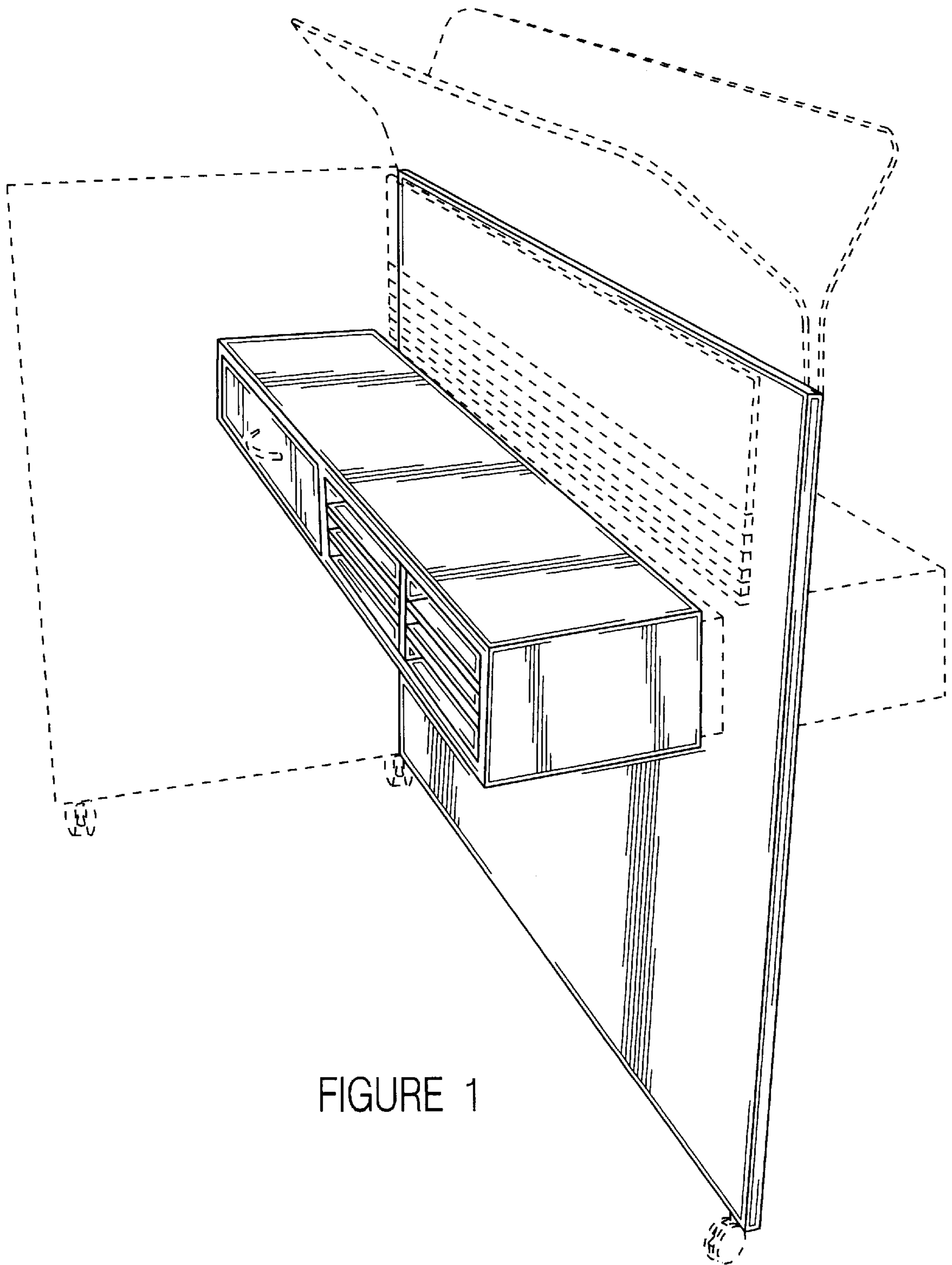
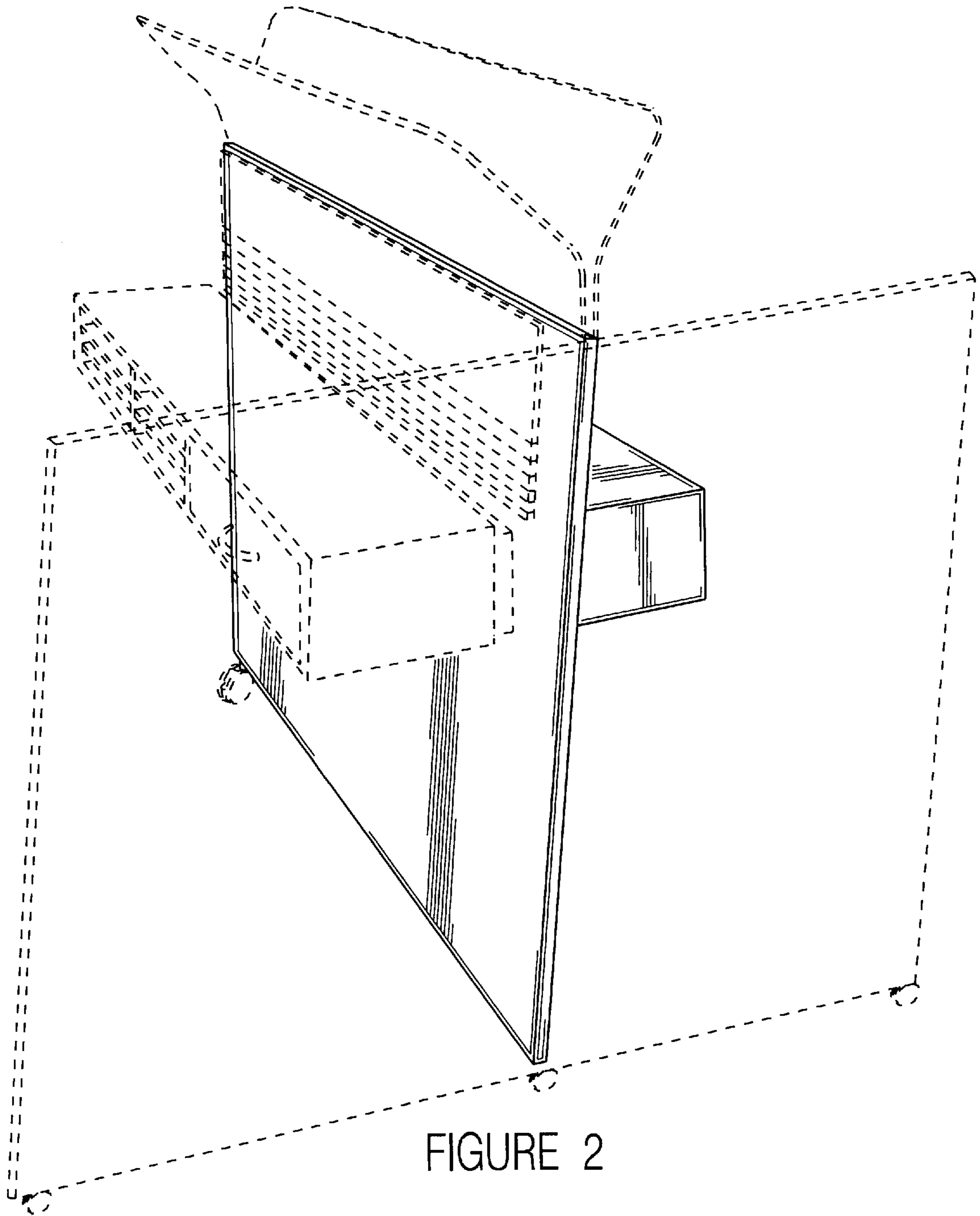


FIGURE 1



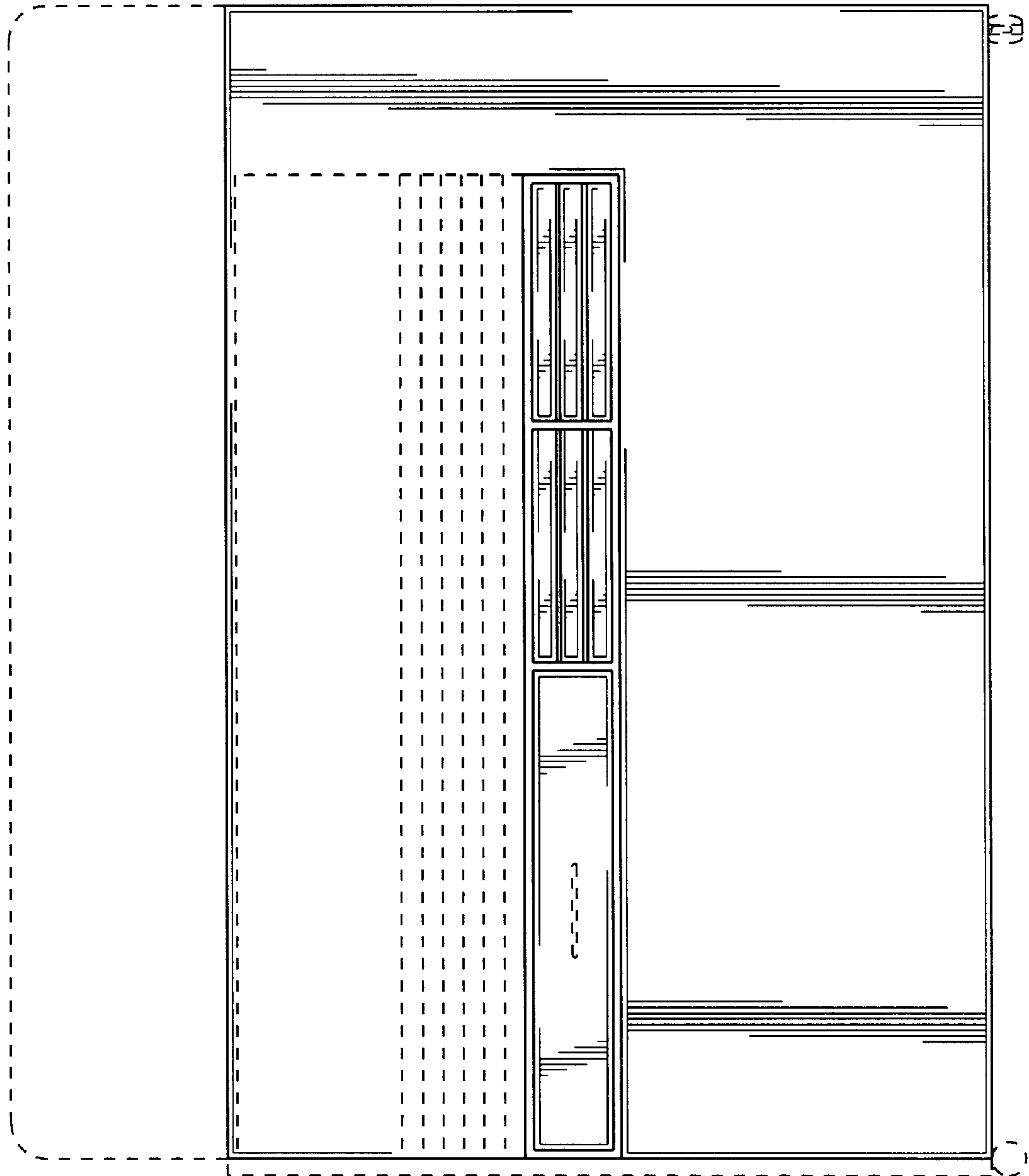


FIGURE 3

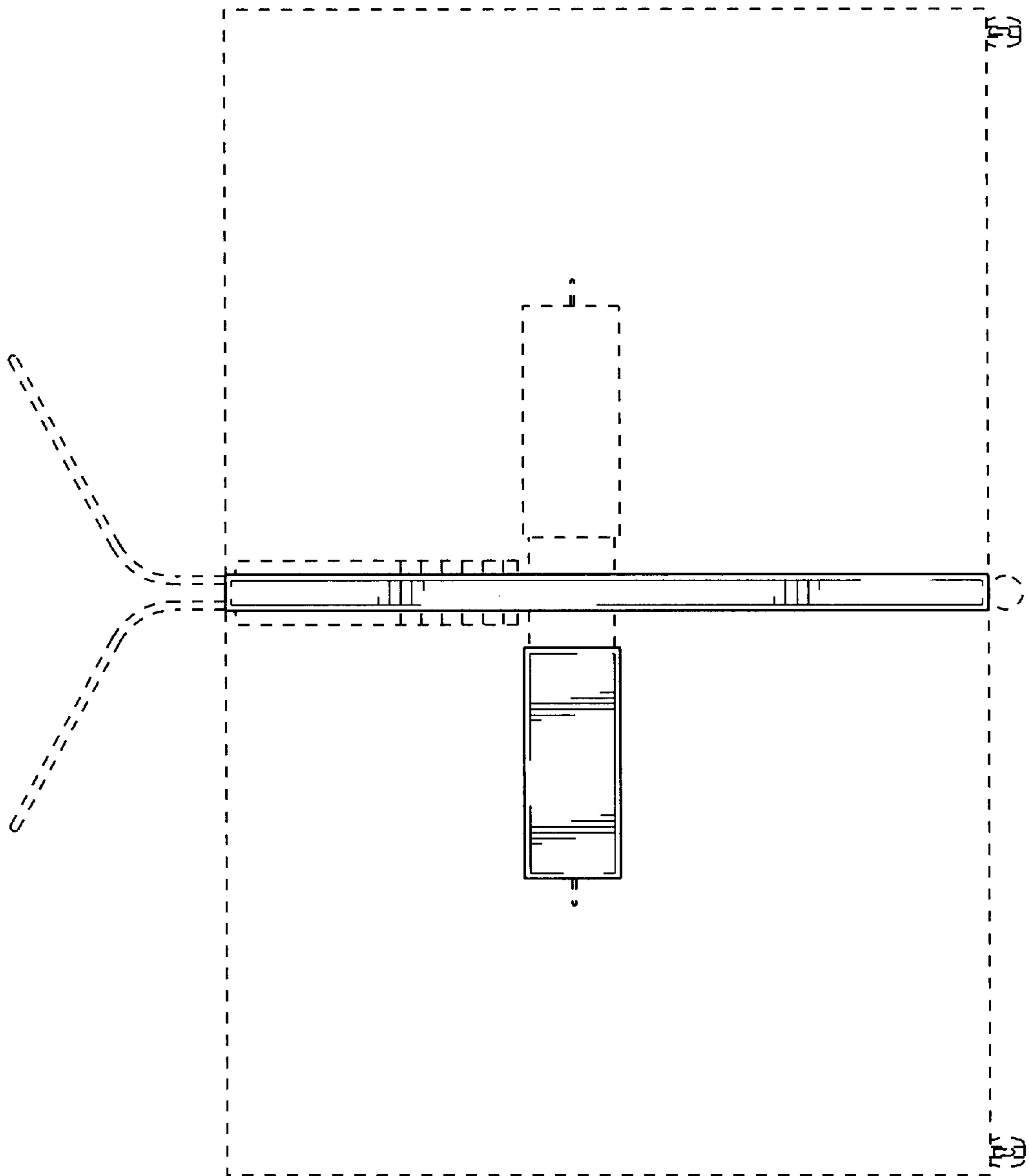


FIGURE 4

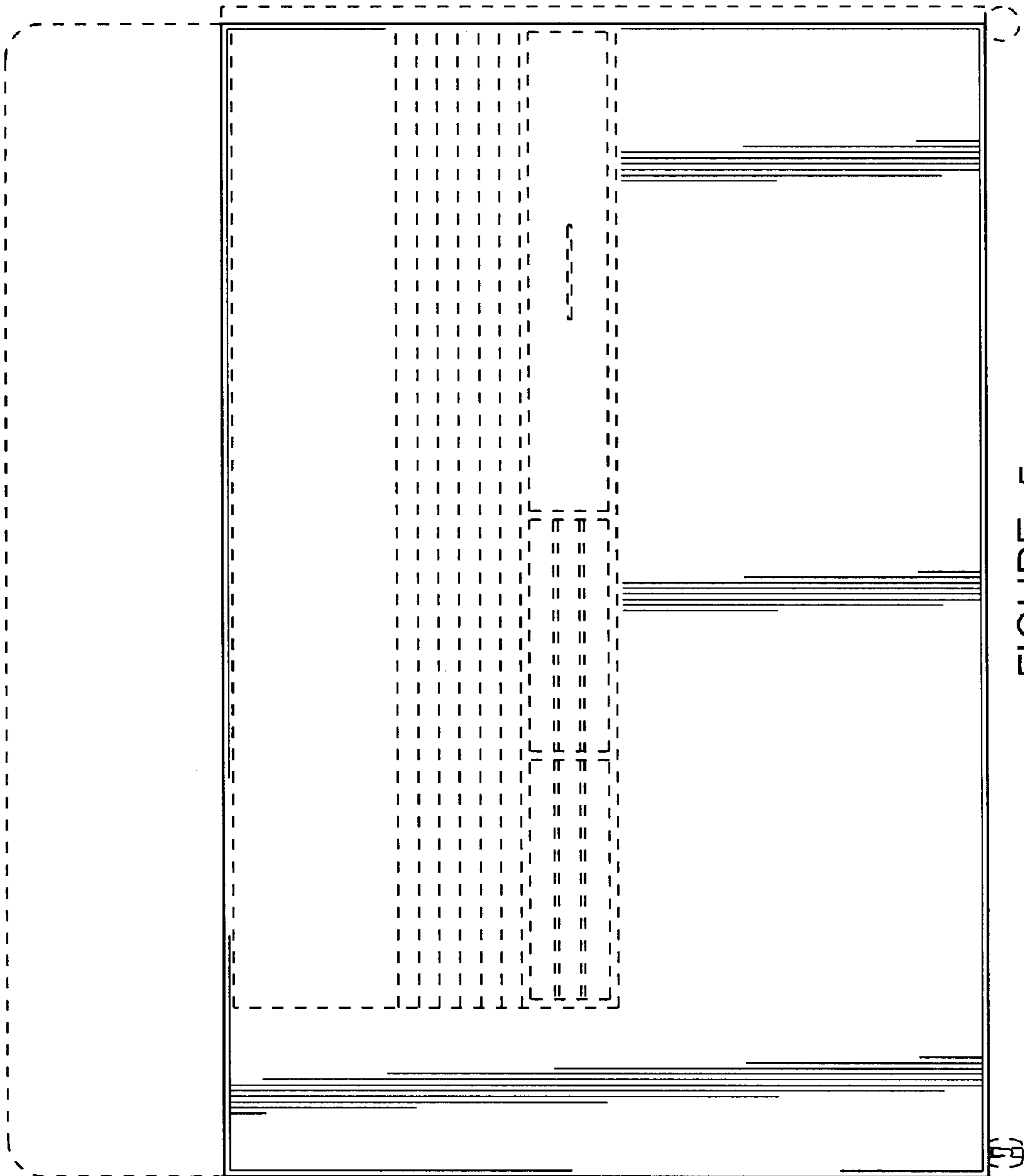


FIGURE 5

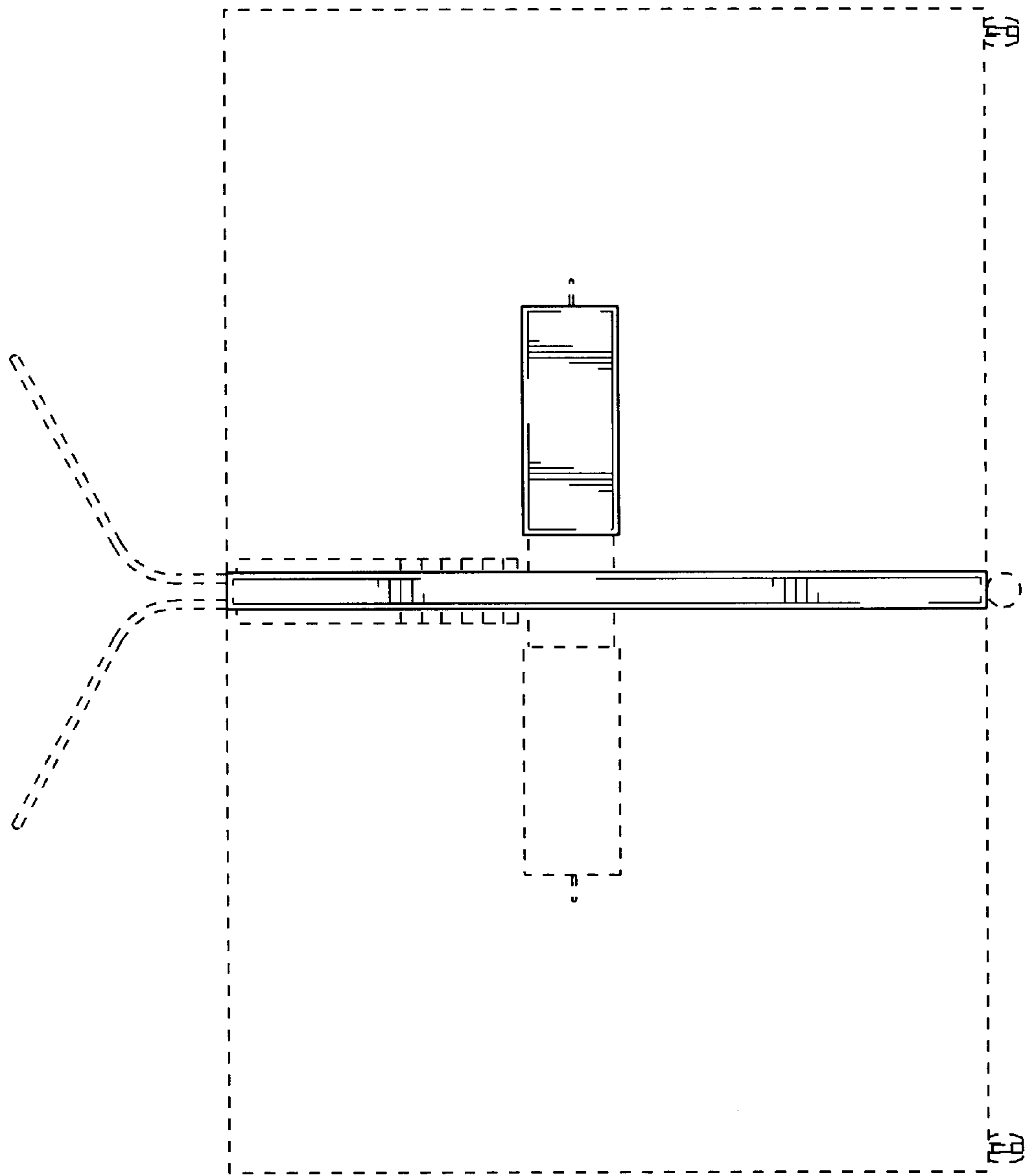


FIGURE 6

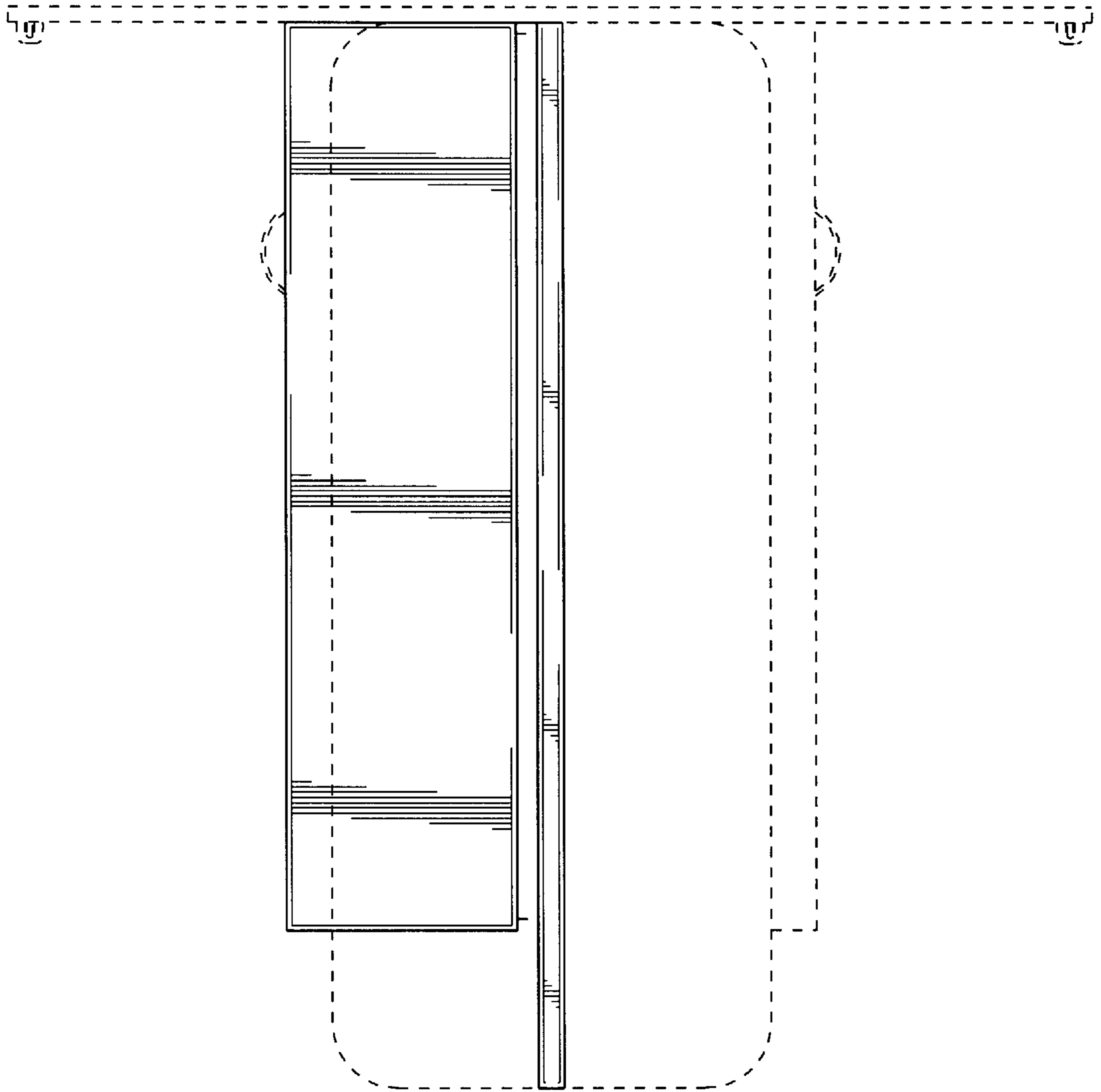


FIGURE 7

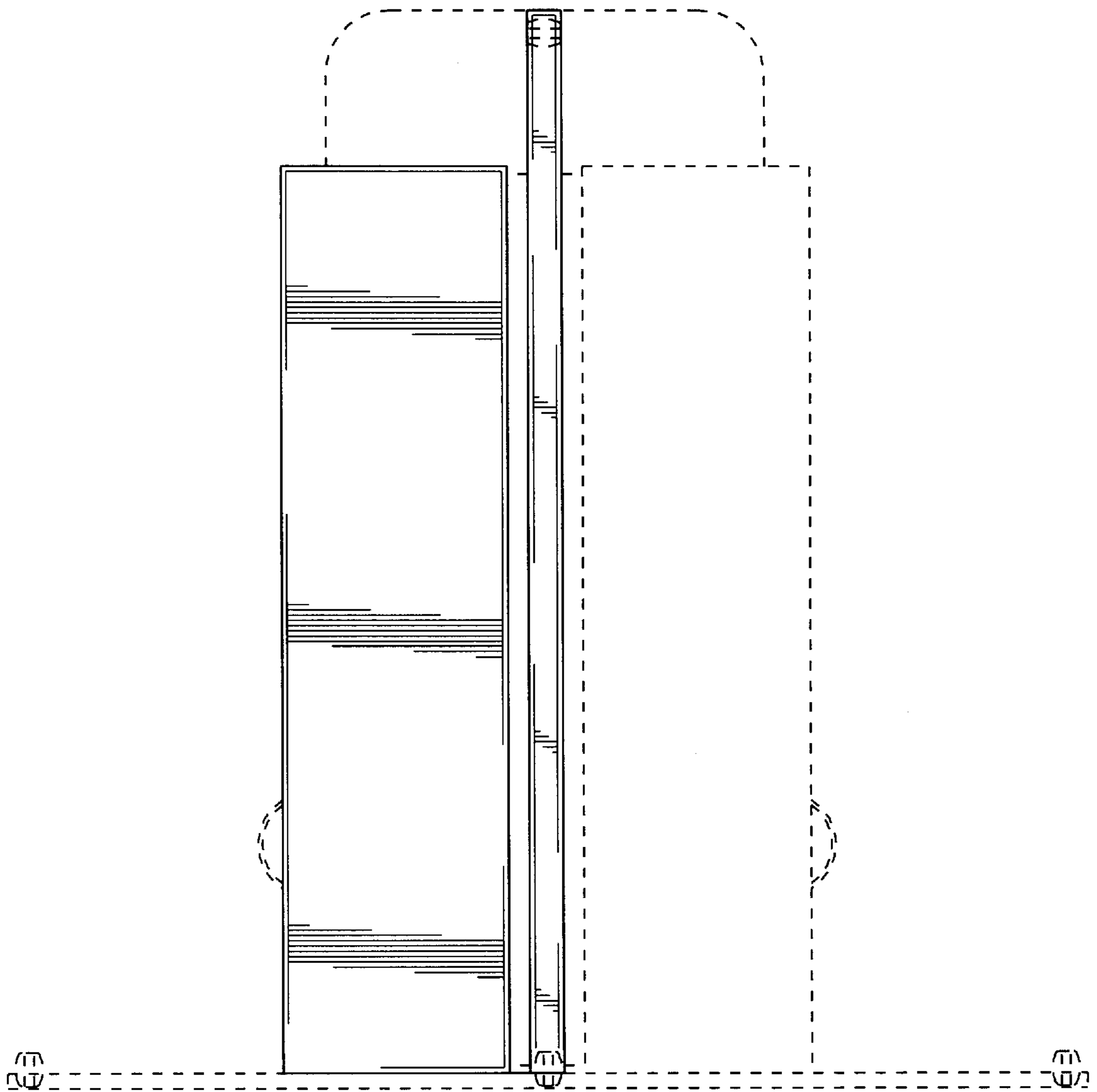


FIGURE 8