



US00D449743B1

(12) **United States Design Patent**
Morgan

(10) **Patent No.:** **US D449,743 S**

(45) **Date of Patent:** **** Oct. 30, 2001**

(54) **GARMENT HANGER HAVING SWIVELING CLIP ASSEMBLIES**

(75) **Inventor:** **Donald F. Morgan, Zeeland, MI (US)**

(73) **Assignee:** **Batts, Inc., Zeeland, MI (US)**

(**) **Term:** **14 Years**

(21) **Appl. No.:** **29/099,051**

(22) **Filed:** **Jan. 12, 1999**

(51) **LOC (7) Cl.** **06-08**

(52) **U.S. Cl.** **D6/326**

(58) **Field of Search** D6/315, 326, 318;
211/113; 24/500, 501, 511; 223/85, 88,
87, 91, 93, 96

(56) **References Cited**

U.S. PATENT DOCUMENTS

D. 334,846	*	4/1993	Blanchard	D6/326
D. 409,006	*	5/1999	Blanchard	D6/326
D. 417,557	*	12/1999	Blanchard	D6/326
D. 429,898	*	8/2000	Morgan et al.	D6/326
5,212,854	*	5/1993	Hollis et al.	.	
5,398,854	*	3/1995	Blanchard	223/96

6,019,261	*	2/2000	Morgan et al.	223/96
6,050,461	*	4/2000	Batts et al.	223/96
6,050,462	*	4/2000	Petrou et al.	223/96
6,105,836	*	8/2000	Batts et al.	223/96

* cited by examiner

Primary Examiner—B. J. Bullock

(74) *Attorney, Agent, or Firm*—Amster, Rothstein & Ebenstein

(57) **CLAIM**

The ornamental design for a garment hanger having swiveling clip assemblies, as shown and described.

DESCRIPTION

FIG. 1 is a perspective view of the ornamental design of a garment hanger having swiveling clip assemblies of this invention;

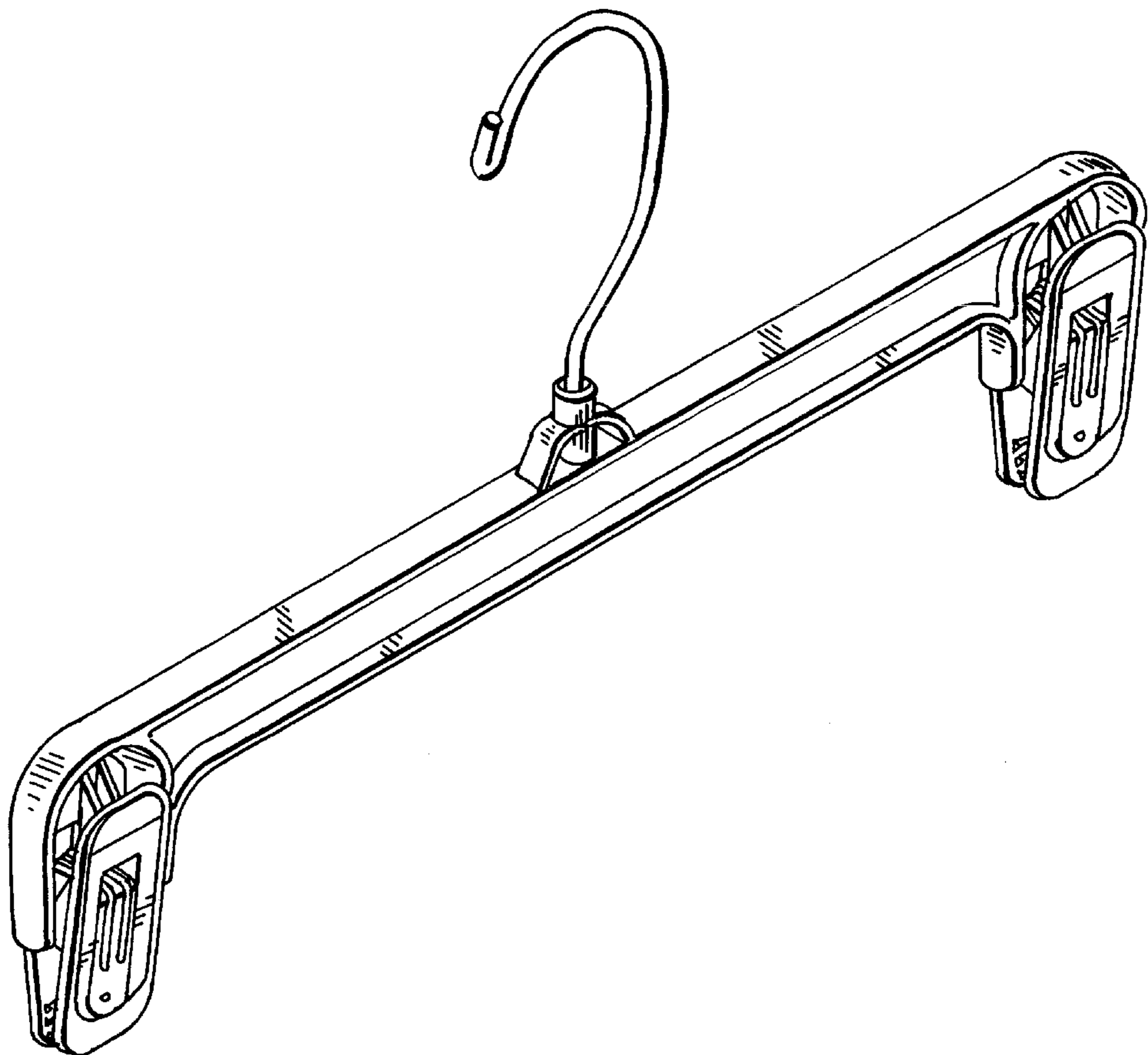
FIG. 2 is a left end view thereof, the right end being a mirror image thereof except for the difference in the hook;

FIG. 3 is a right side elevation, the left side being a mirror image thereof;

FIG. 4 is a top plan view; and,

FIG. 5 is a bottom plan view.

1 Claim, 3 Drawing Sheets



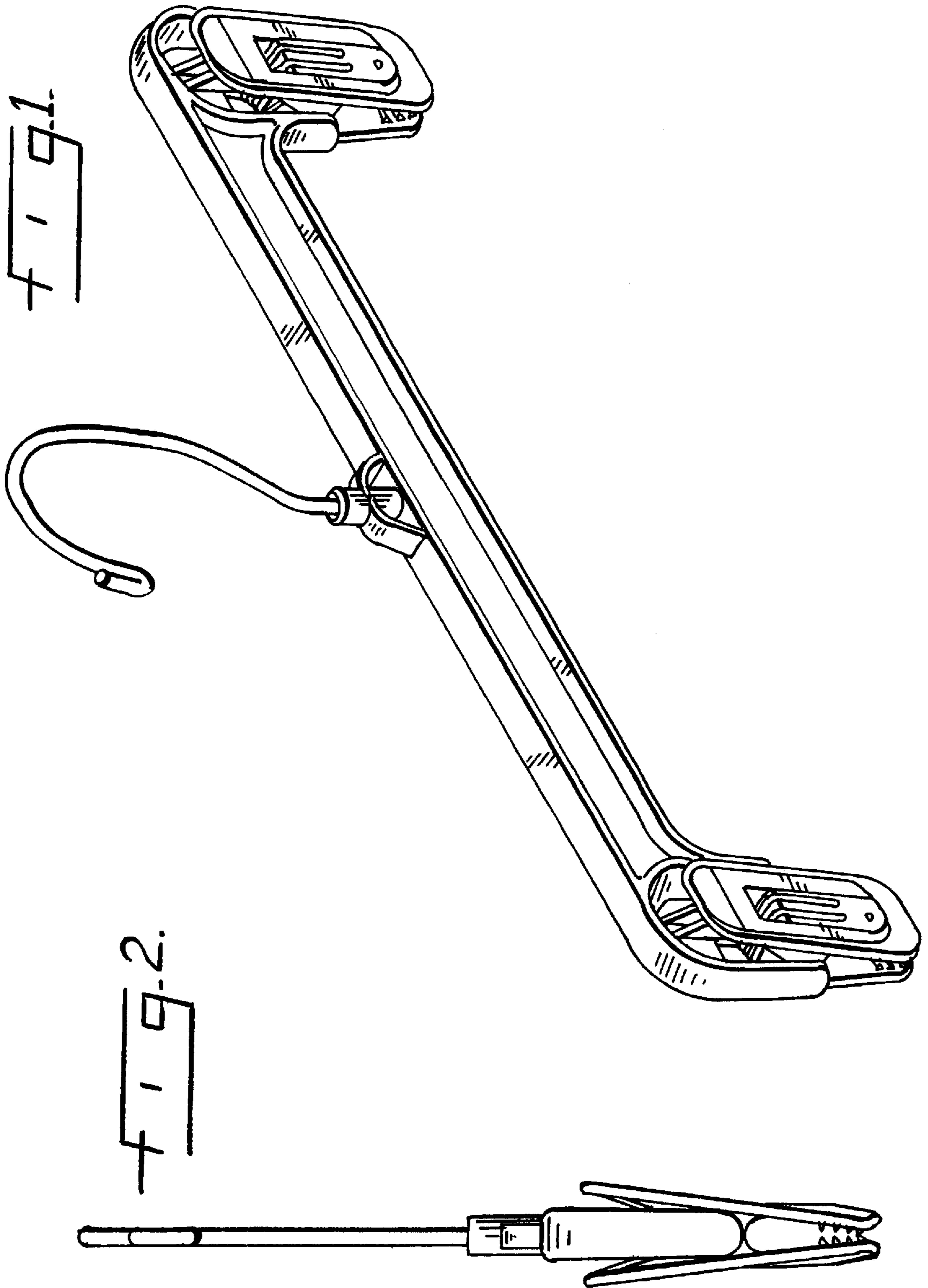




FIG. 4.

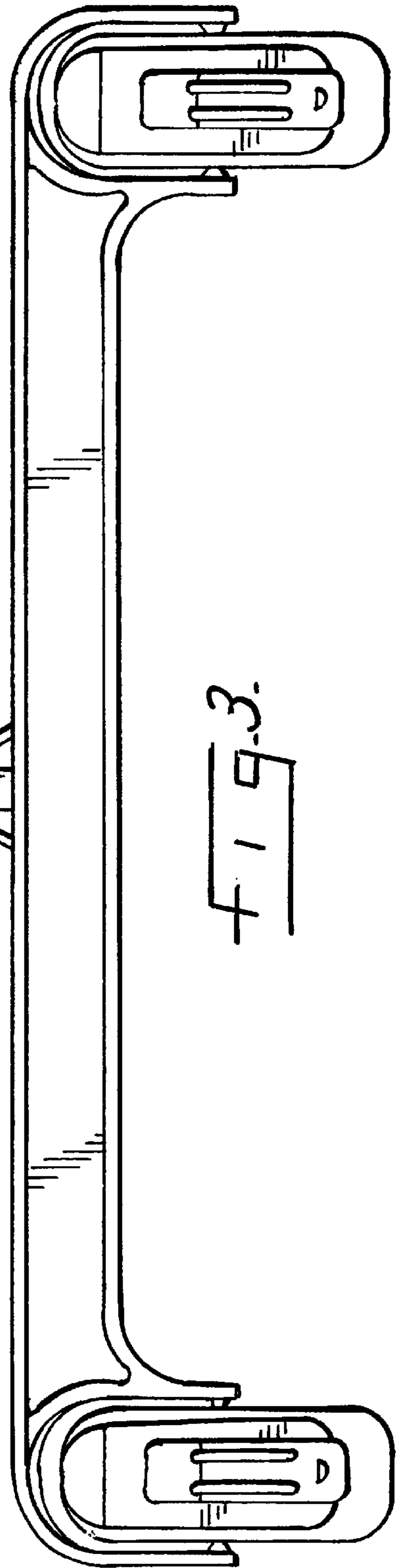
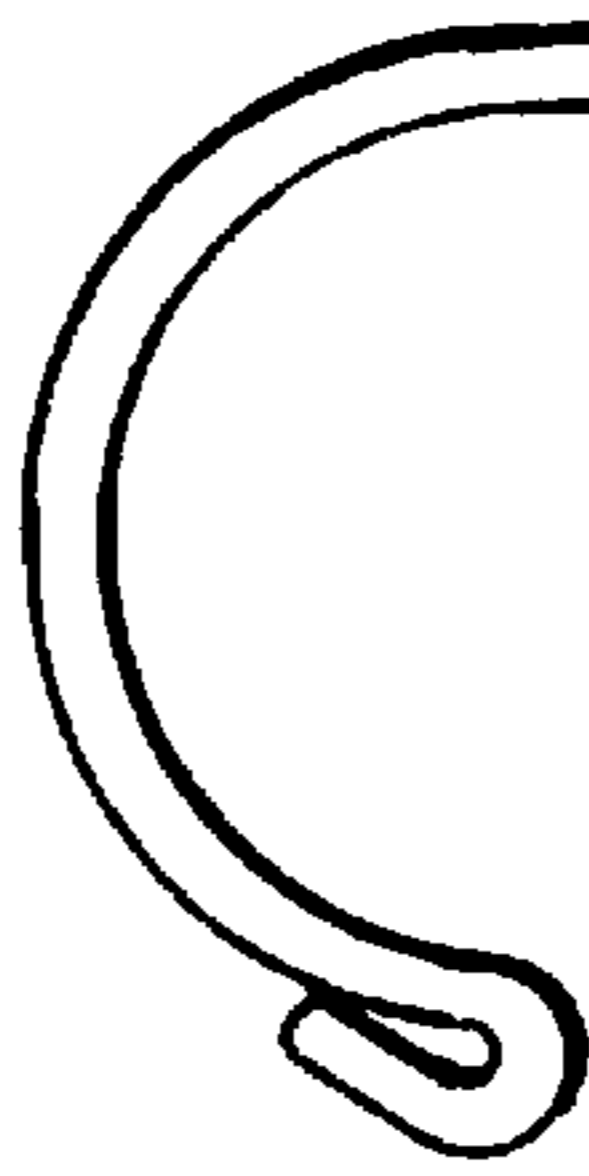


FIG. 3.

