



US00D449739B1

(12) **United States Design Patent**  
**Gringer**

(10) **Patent No.:** **US D449,739 S**

(45) **Date of Patent:** **\*\* Oct. 30, 2001**

(54) **STRAIGHT BRUSH**

(75) **Inventor:** **Donald Gringer**, New York, NY (US)

(73) **Assignee:** **Allway Tools, Inc.**, Bronx, NY (US)

(\*\*) **Term:** **14 Years**

(21) **Appl. No.:** **29/124,885**

(22) **Filed:** **Jun. 13, 2000**

(51) **LOC (7) Cl.** ..... **04-01**

(52) **U.S. Cl.** ..... **D4/118; D4/134**

(58) **Field of Search** ..... D4/116, 118, 132,  
D4/134, 138; D32/42, 49; 7/105, 158; 15/105,  
111, 236.01, 236.02, 143.1, 159.1, 160;  
16/110.1, 430

(56) **References Cited**

**U.S. PATENT DOCUMENTS**

D. 375,842 \* 11/1996 Gringer ..... D4/132  
D. 422,148 \* 4/2000 King et al. .... D4/138  
D. 436,447 \* 1/2001 Weiss ..... D4/118

**FOREIGN PATENT DOCUMENTS**

10-295445 \* 11/1998 (JP) ..... A46B/15/00

**OTHER PUBLICATIONS**

The Milwaukee Brush Manufacturing Co., Catalog No. 36-R-7, Jun. 1949; Long Handle Round Steel Wire Hand Brush—1647, p. 14.\*

Sparta Brushes for Food Service, Catalog No. 300, Feb. 1978; Wire Brush With Scraper—Item No. 2841, p. 15.\*  
Fuller Brush Catalog, Inc., © 1988; Grill Brush—Item No. 11945A, p. 41.\*

\* cited by examiner

*Primary Examiner*—Alan P. Douglas

*Assistant Examiner*—Lavone Tabor

(74) *Attorney, Agent, or Firm*—David M. Klein; Shearman & Sterling

(57) **CLAIM**

The ornamental design for a straight brush, as shown and described.

**DESCRIPTION**

FIG. 1 is a perspective view of the straight brush design of the invention;

FIG. 2 is a reduced top view of the straight brush design shown in FIG. 1;

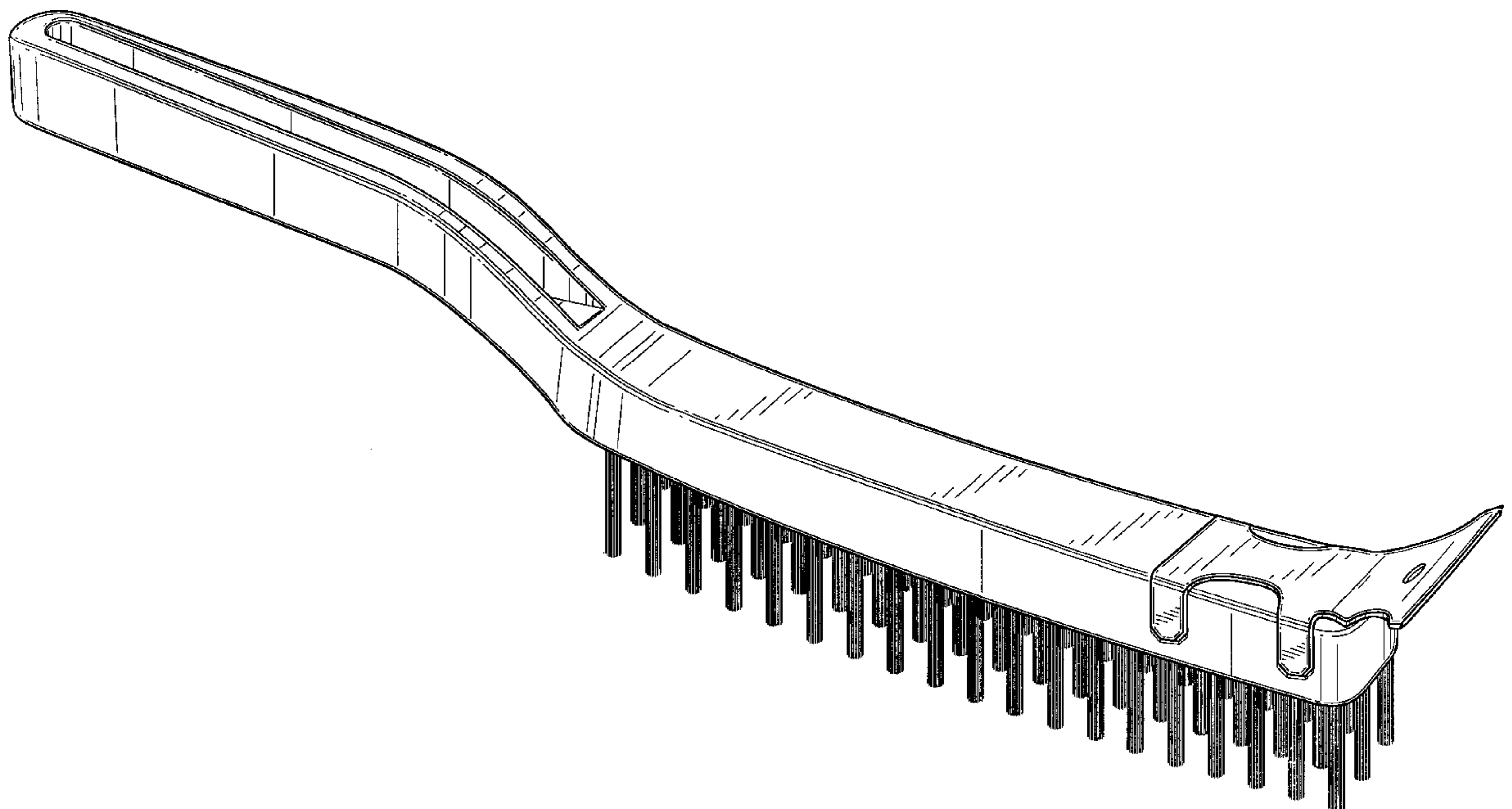
FIG. 3 is a reduced bottom view of the straight brush design shown in FIG. 1;

FIG. 4 is a reduced left side view of the straight brush design shown in FIG. 1, the right side view being a mirror image thereof;

FIG. 5 is a reduced front view of the straight brush design shown in FIG. 1; and,

FIG. 6 is a reduced rear view of the straight brush design shown in FIG. 1.

**1 Claim, 5 Drawing Sheets**



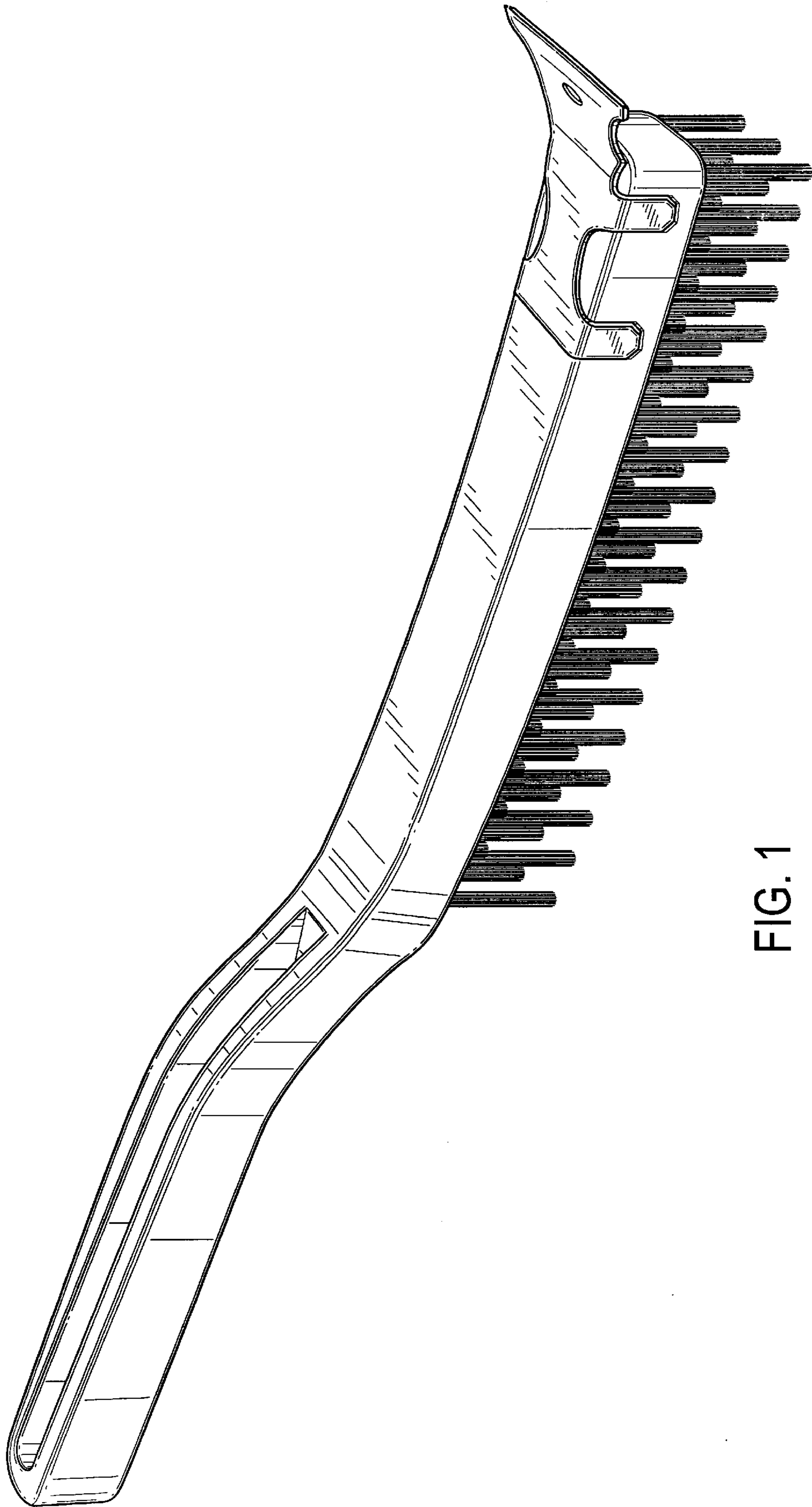


FIG. 1

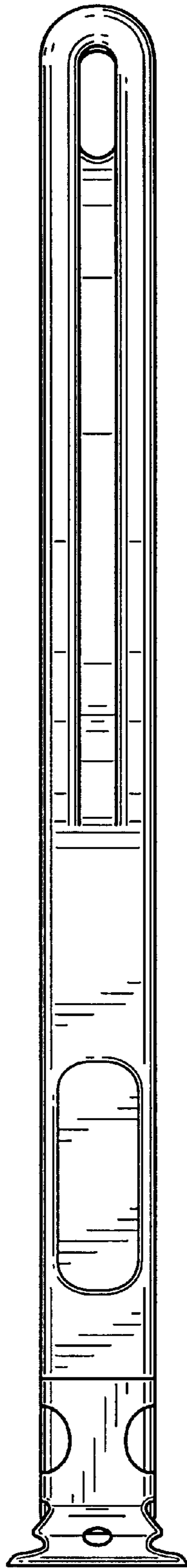


FIG. 2

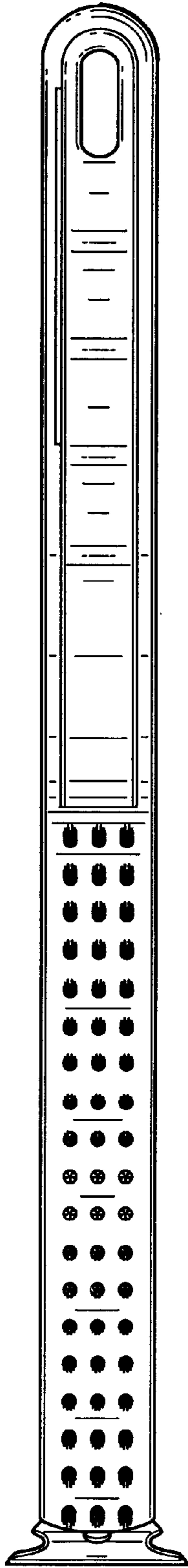


FIG. 3

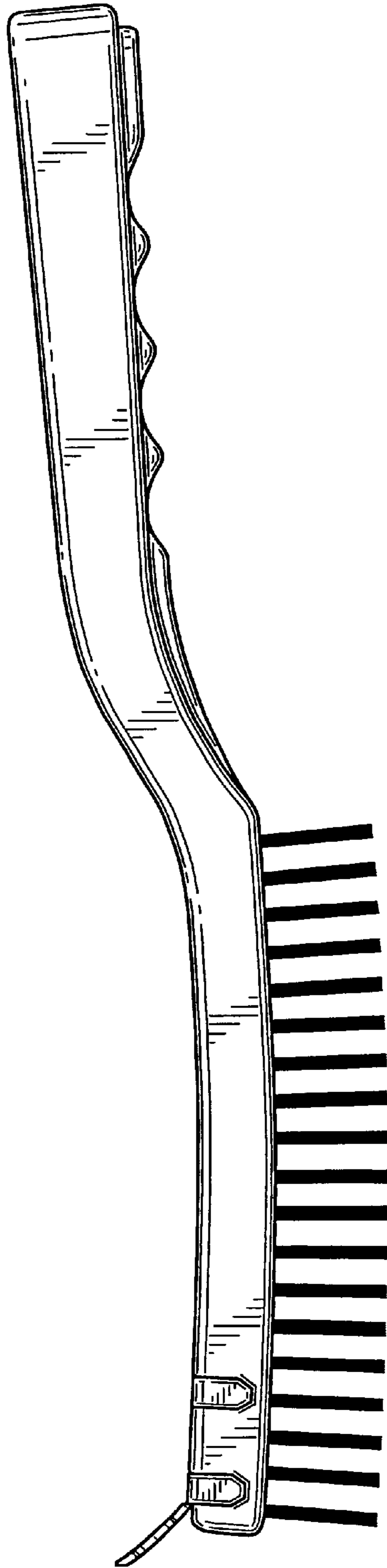


FIG. 4

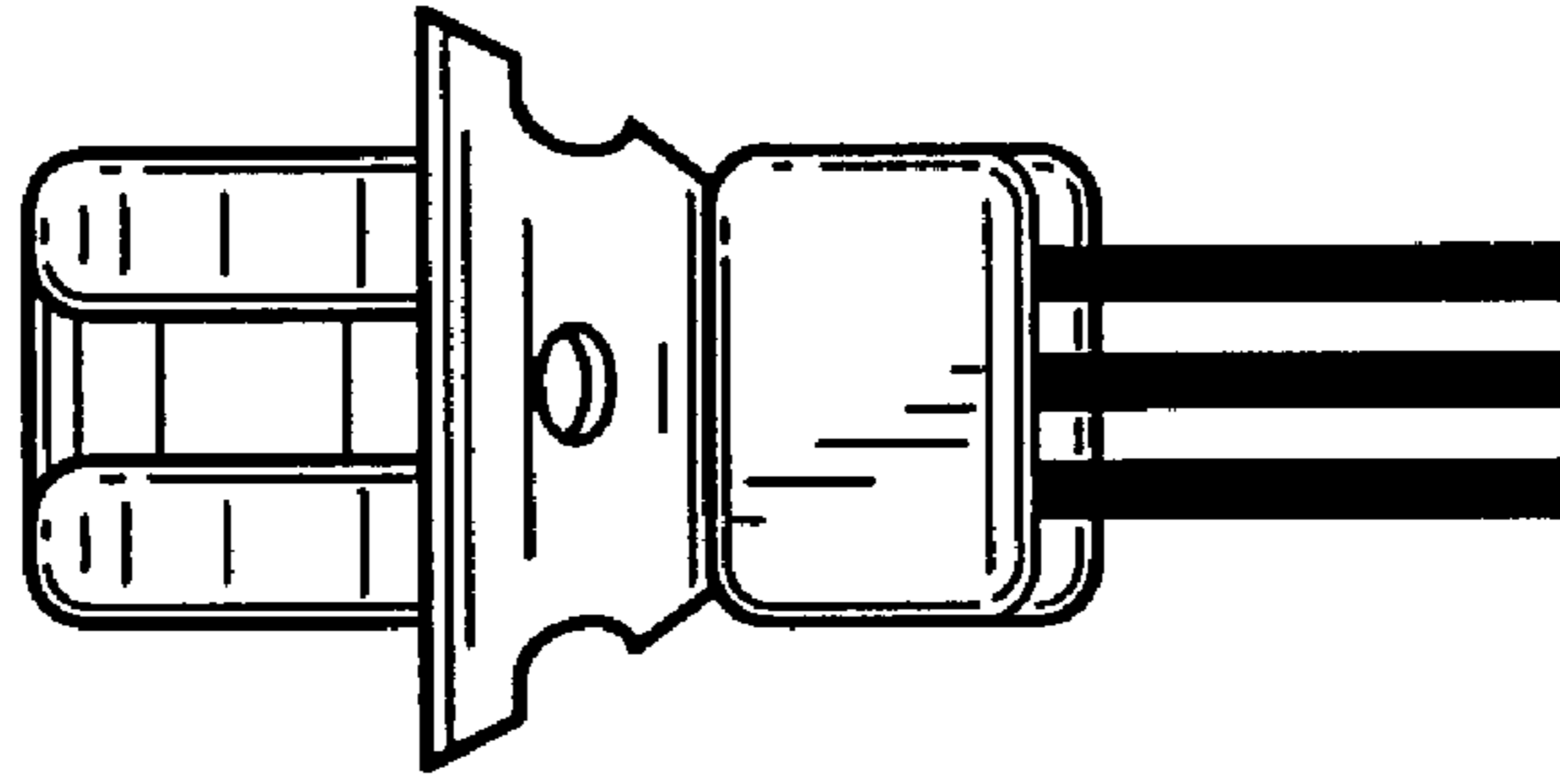


FIG. 5

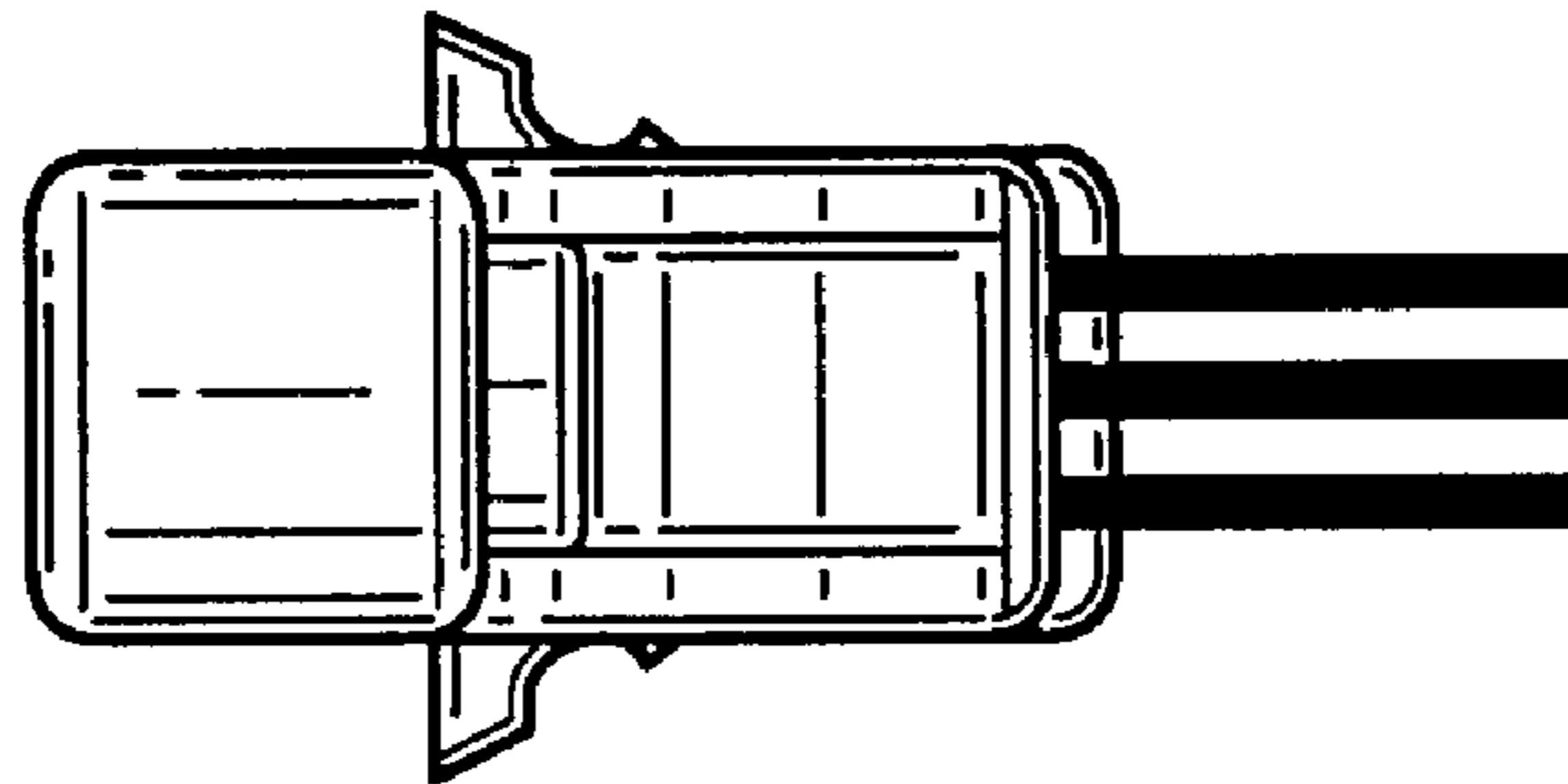


FIG. 6