



US00D449734B1

(12) **United States Design Patent**
Shing

(10) **Patent No.:** **US D449,734 S**

(45) **Date of Patent:** **** Oct. 30, 2001**

(54) **KEY RING LIGHT**

D. 441,524 * 5/2001 Shimizu et al. D3/207

(75) Inventor: **Shiu Shing**, Kowloon (HK)

* cited by examiner

(73) Assignee: **Gold Coral International Limited**,
Kowloon (HK)

Primary Examiner—R. Seifert

(74) *Attorney, Agent, or Firm*—Larson & Taylor PLC

(**) Term: **14 Years**

(57) **CLAIM**

The ornamental design of a key ring light, as shown and described.

(21) Appl. No.: **29/131,357**

(22) Filed: **Oct. 20, 2000**

DESCRIPTION

(51) **LOC (7) Cl.** **03-01**

FIG. 1 is a top view of the design.

(52) **U.S. Cl.** **D3/209**

FIG. 2 is a front view of the design depicted in FIG. 1.

(58) **Field of Search** D3/207-212; 24/3.6;
70/456, 457, 458

FIG. 3 is a bottom view of the design depicted in FIG. 1.

FIG. 4 is a left side view of the design depicted in FIG. 1.

FIG. 5 is a right side view of the design depicted in FIG. 1;
and,

FIG. 6 is rear view of the design depicted in FIG. 1.

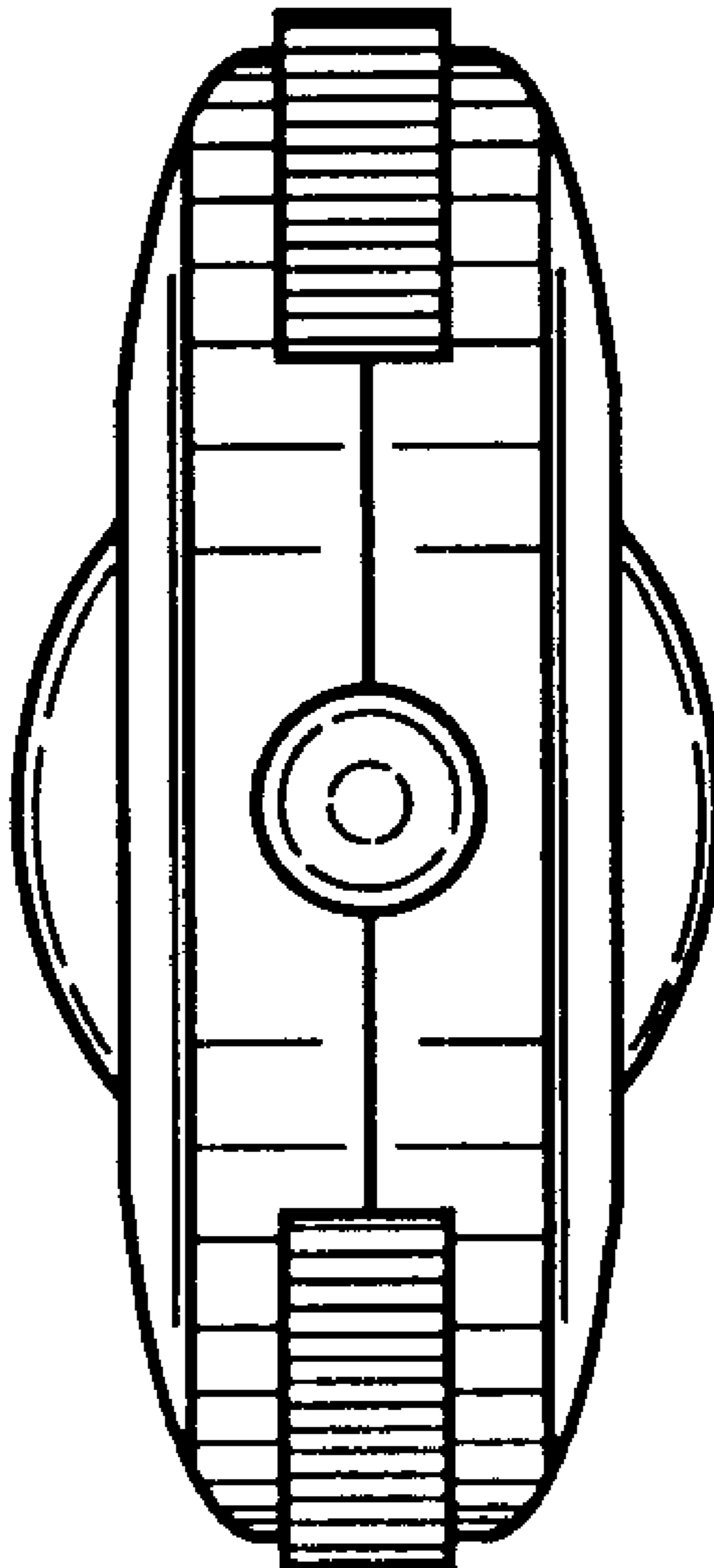
(56) **References Cited**

U.S. PATENT DOCUMENTS

D. 372,356 * 8/1996 Marguerite D3/209

D. 441,185 * 5/2001 Shimizu et al. D3/207

1 Claim, 2 Drawing Sheets



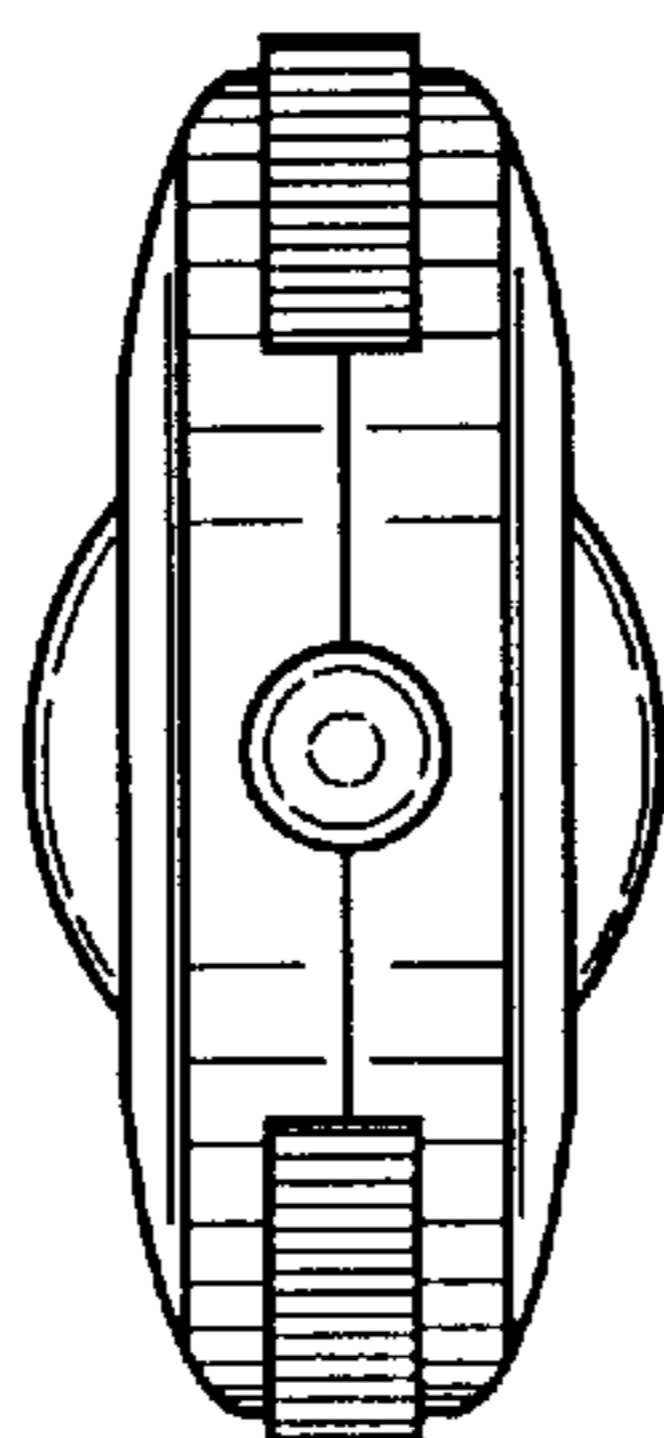


FIG. 1

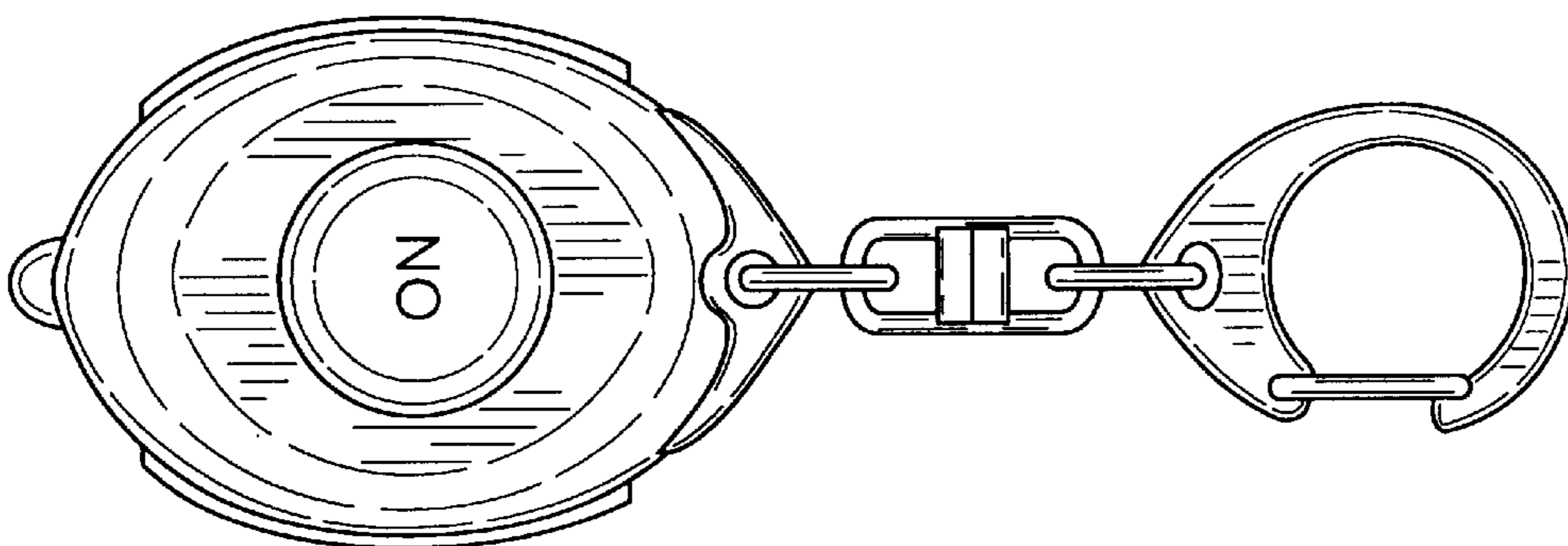


FIG. 2

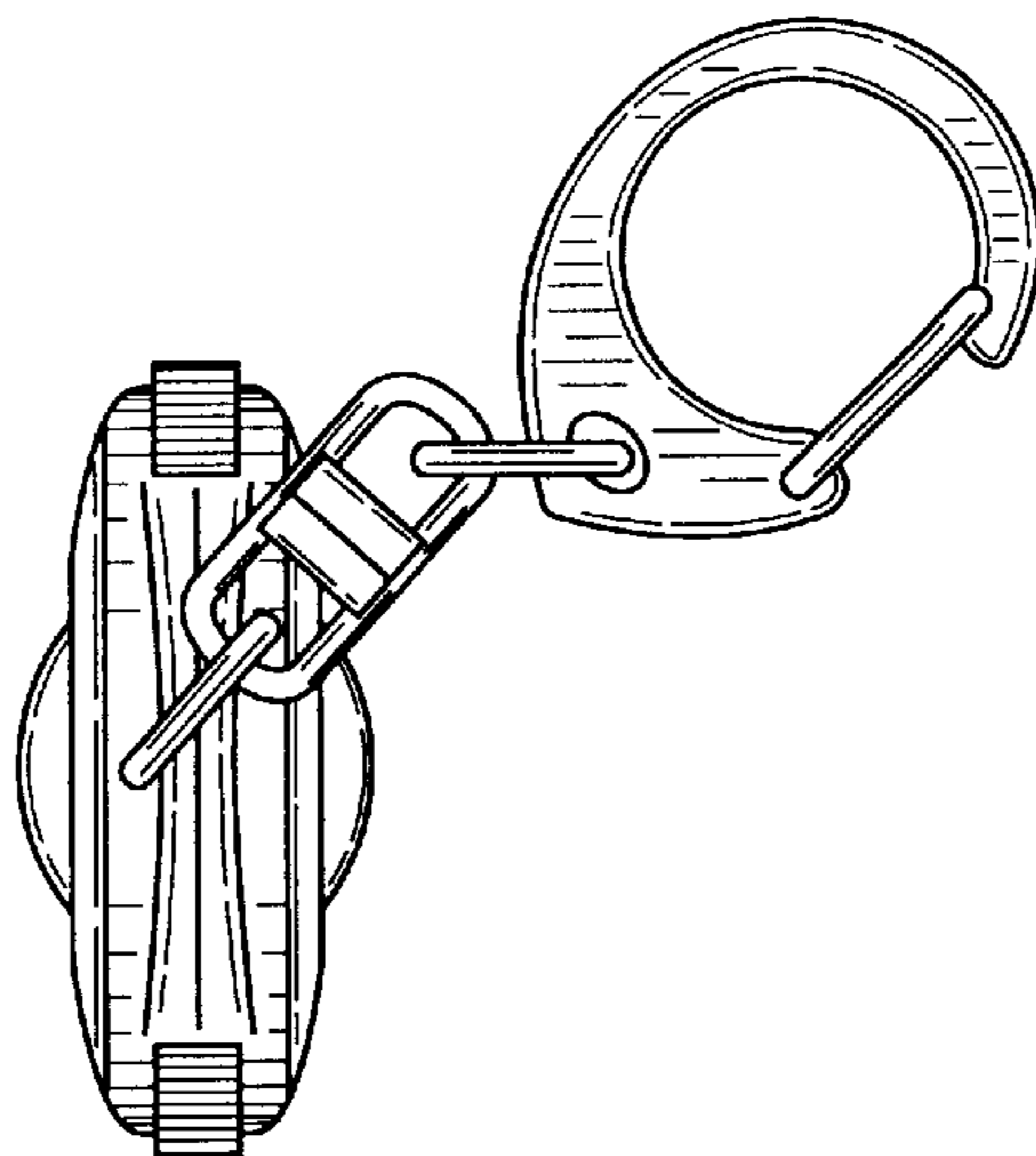


FIG. 3

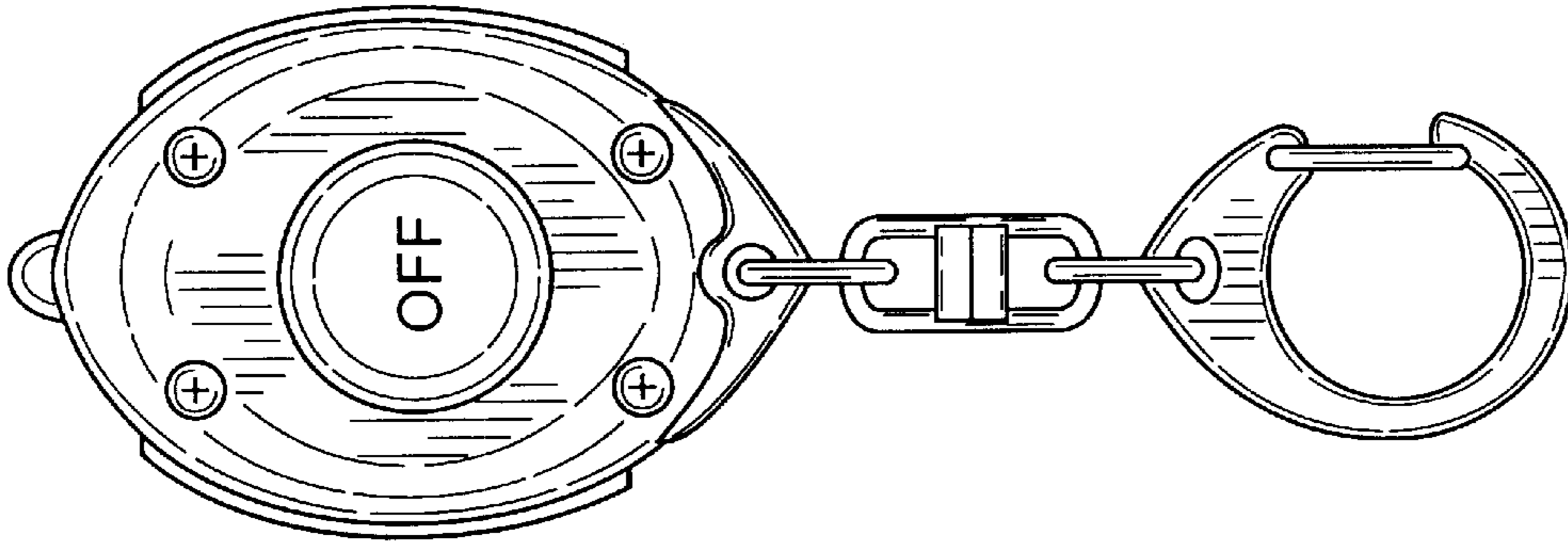


FIG. 6

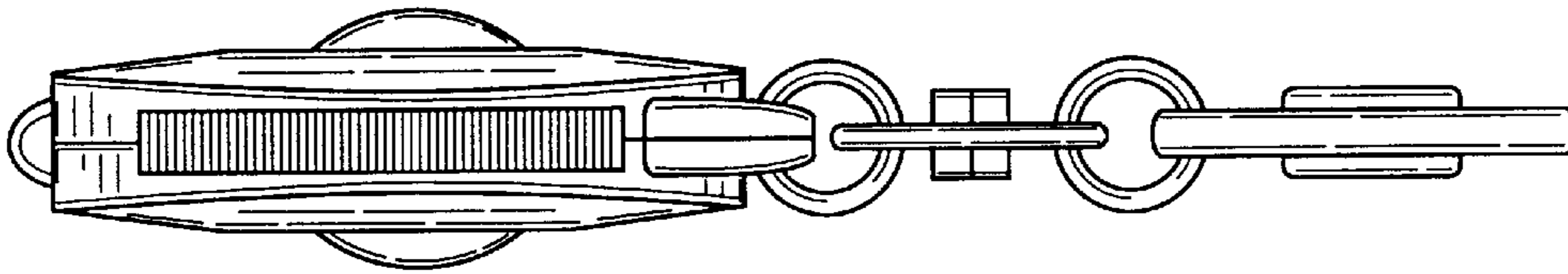


FIG. 5

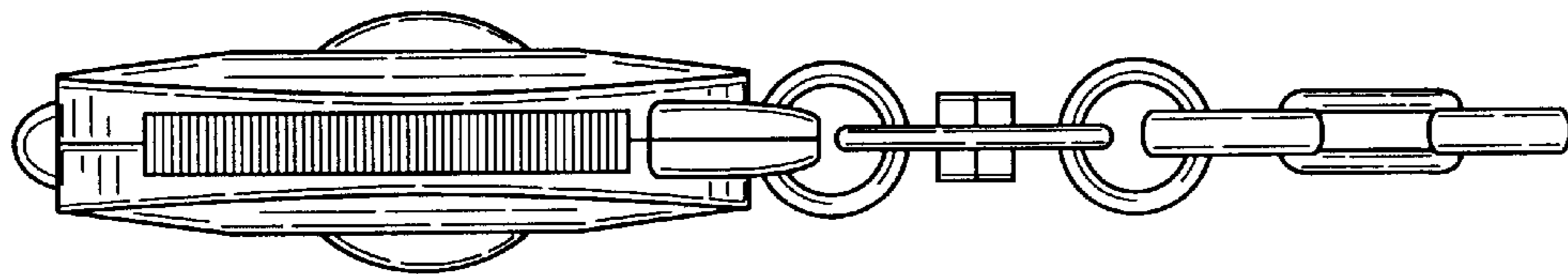


FIG. 4