



US00D449733B1

(12) **United States Design Patent**
Jacober et al.

(10) **Patent No.:** **US D449,733 S**

(45) **Date of Patent:** **** Oct. 30, 2001**

(54) **MEDICATION DISPENSER**

(75) Inventors: **Jeffrey M. Jacober**, Providence, RI (US); **Douglas F. Melville, Jr.**, Simsbury, CT (US)

(73) Assignee: **MEDport, Inc.**, Providence, RI (US)

(**) Term: **14 Years**

(21) Appl. No.: **29/127,554**

(22) Filed: **Aug. 7, 2000**

(51) **LOC (7) Cl.** **03-01**

(52) **U.S. Cl.** **D3/203**

(58) **Field of Search** D3/203, 205, 201; D9/339, 341; 206/534, 536, 538, 539, 1.5, 532; 220/345.1, 336

(56) **References Cited**

U.S. PATENT DOCUMENTS

D. 166,147	3/1952	Dunbar .	
D. 298,803	* 12/1988	Ebling	D99/339
D. 337,725	* 7/1993	Bunin	D9/341
D. 343,118	* 1/1994	Melnik	D9/341
D. 425,294	* 5/2000	Haverstick	D3/203

828,151	8/1906	Upjohn .
2,534,100	12/1950	Baumbartner .
4,043,448	8/1977	Tanaka .
5,080,222	1/1992	McNary .
5,620,109	4/1997	Madden .

* cited by examiner

Primary Examiner—Catherine R. Oliver

(74) *Attorney, Agent, or Firm*—Cook, Alex, McFarron, Manzo, Cummings & Mehler, Ltd.

(57) **CLAIM**

The ornamental design for a medication dispenser, as shown and described.

DESCRIPTION

FIG. 1 is a perspective view of a medication dispenser showing the new design;
FIG. 2 is a top plan view thereof;
FIG. 3 is a bottom plan view thereof;
FIG. 4 is an end elevational view thereof, each end view being the same; and,
FIG. 5 is a side elevational view thereof, each side view being the same.

1 Claim, 2 Drawing Sheets

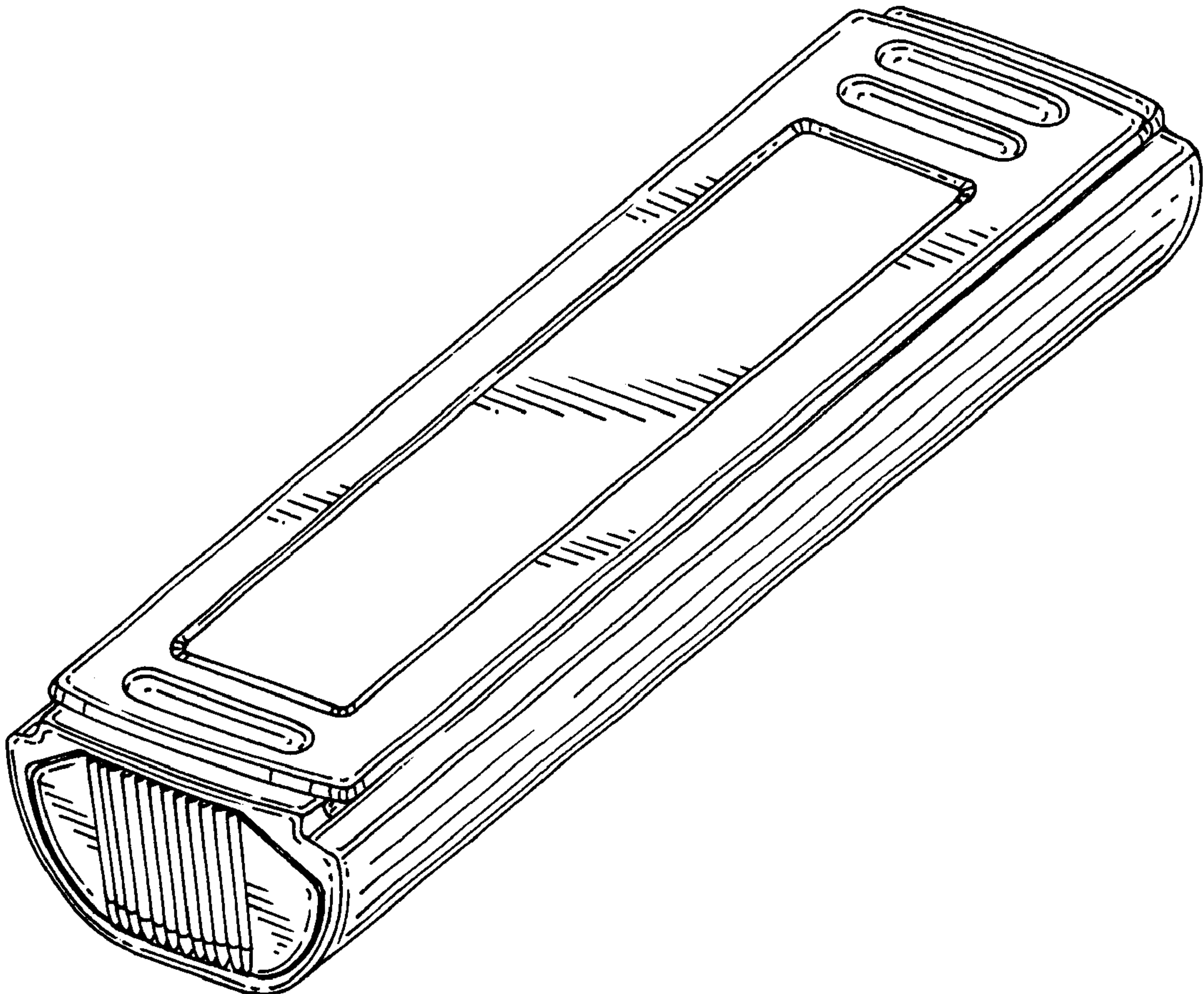


FIG. 1

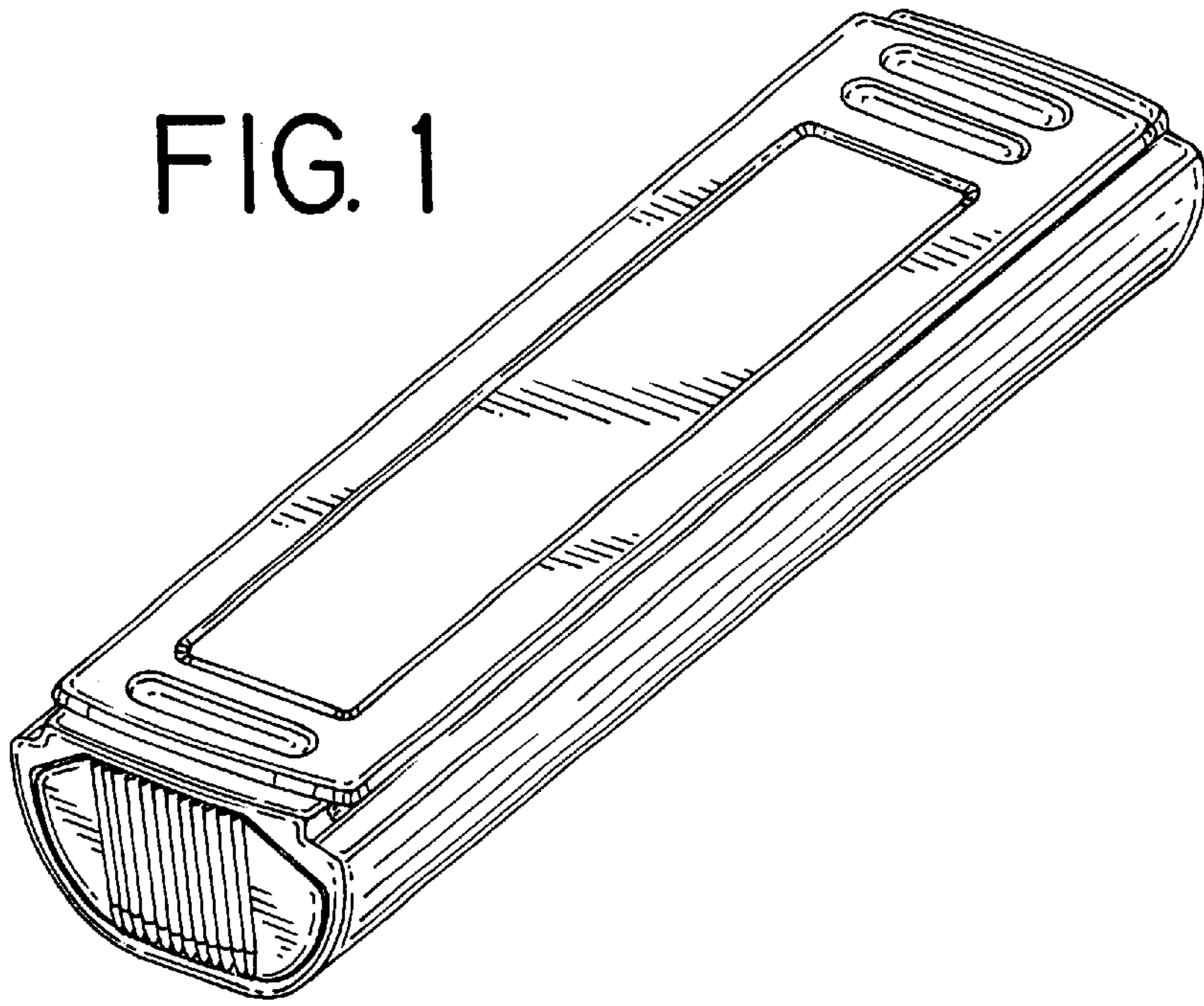


FIG. 2

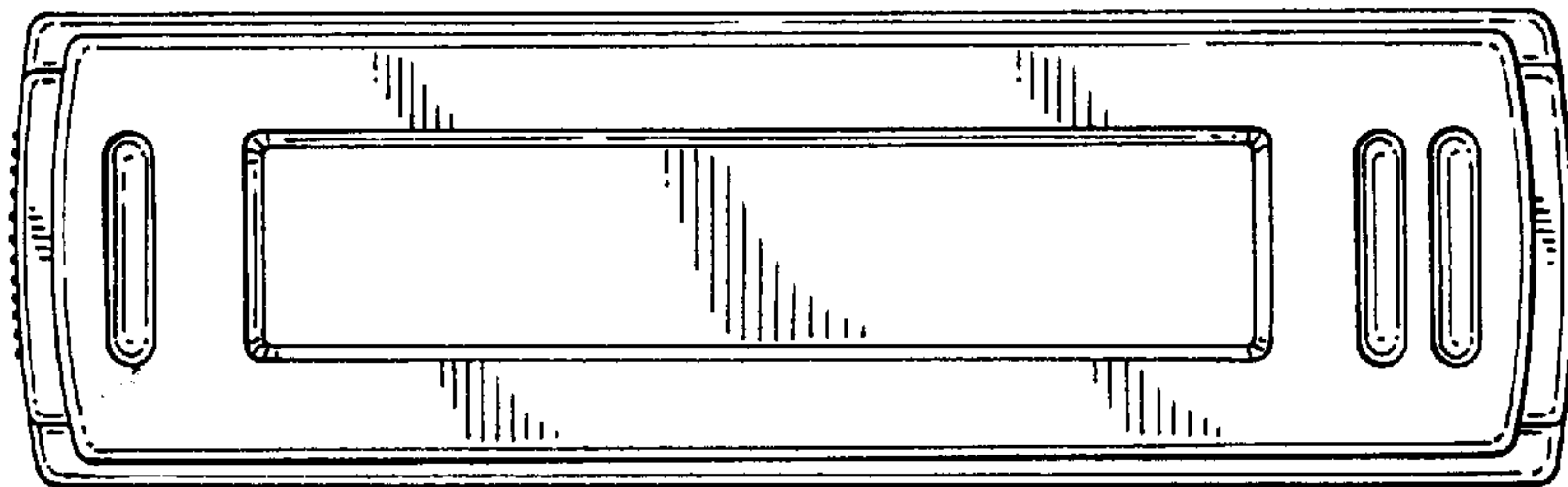
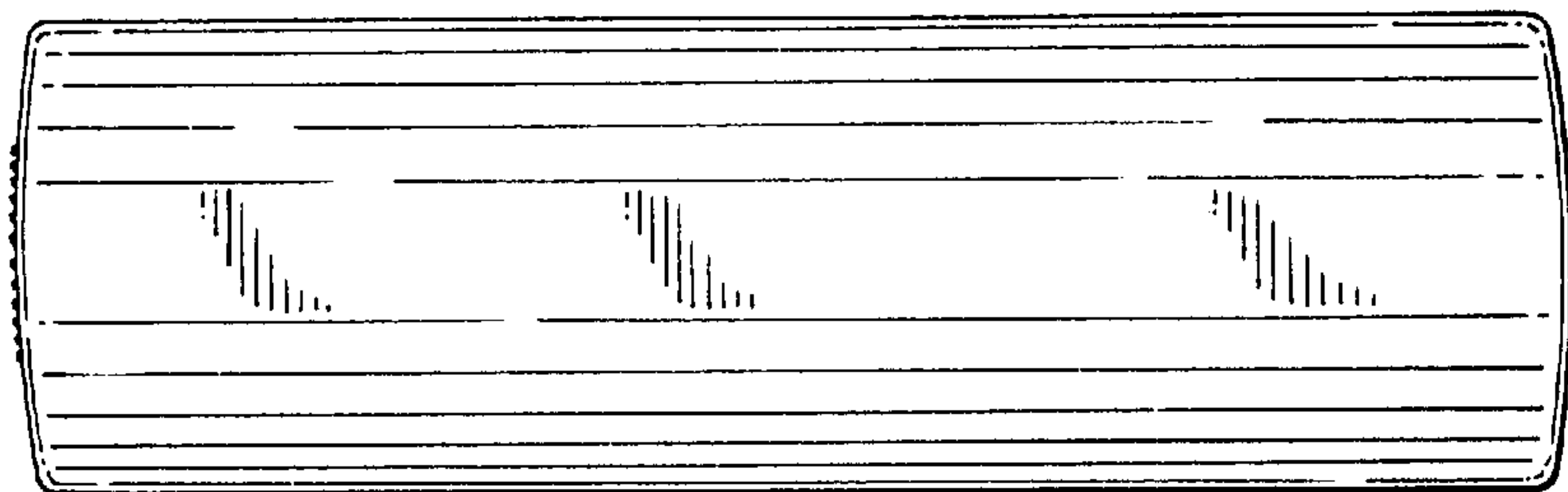


FIG. 3



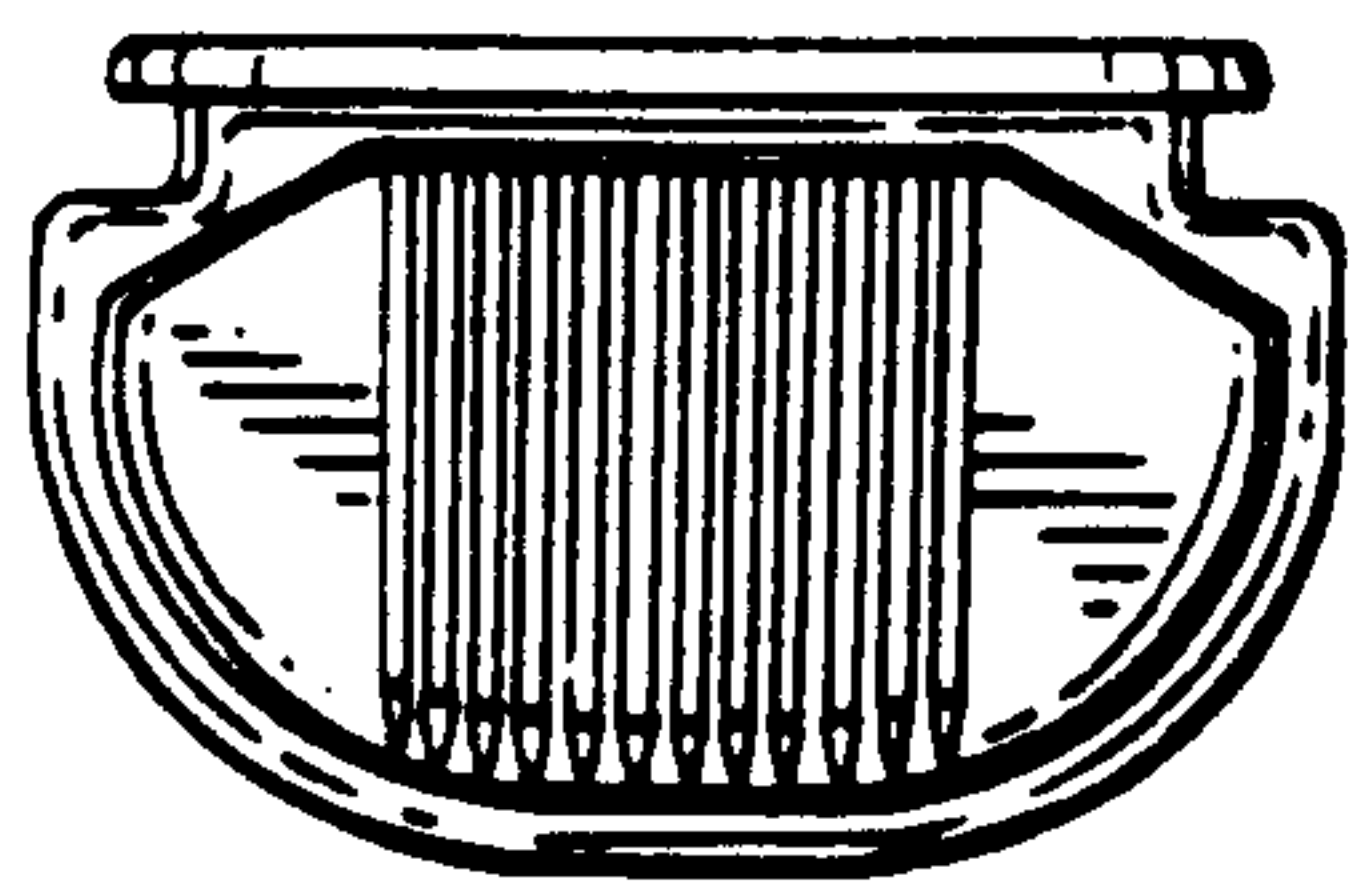


FIG. 4

FIG. 5

