



US00D449727B1

(12) **United States Design Patent**
Carlson

(10) **Patent No.:** **US D449,727 S**

(45) **Date of Patent:** **** Oct. 23, 2001**

(54) **ROADSIDE MAILBOX PROTECTIVE SHIELD**

(76) **Inventor:** **Ronald G. Carlson**, 301 SE. 54th St., Oklahoma City, OK (US) 73101

(**) **Term:** **14 Years**

(21) **Appl. No.:** **29/132,882**

(22) **Filed:** **Nov. 17, 2000**

(51) **LOC (7) Cl.** **99-00**

(52) **U.S. Cl.** **D99/29**

(58) **Field of Search** D99/28, 29, 30, D99/31, 32, 33, 43; 232/17, 19, 27, 31, 38, 29, 42

(56) **References Cited**

U.S. PATENT DOCUMENTS

- D. 376,891 * 12/1996 Wooten, Jr. et al. D99/31
- D. 385,676 * 10/1997 Childress et al. D99/29
- 1,792,821 * 2/1931 Cook 232/38
- 3,030,058 * 4/1962 Rosing 232/17 X

- 4,368,842 * 1/1983 DeLange, III 232/17
- 4,813,595 * 3/1989 Johns, Jr. et al. 232/17
- 4,905,892 * 3/1990 Fischer 232/17
- 5,106,016 * 4/1992 Beckmann 232/17

* cited by examiner

Primary Examiner—Paula A. Mortimer

(74) *Attorney, Agent, or Firm*—Robert K. Rhea

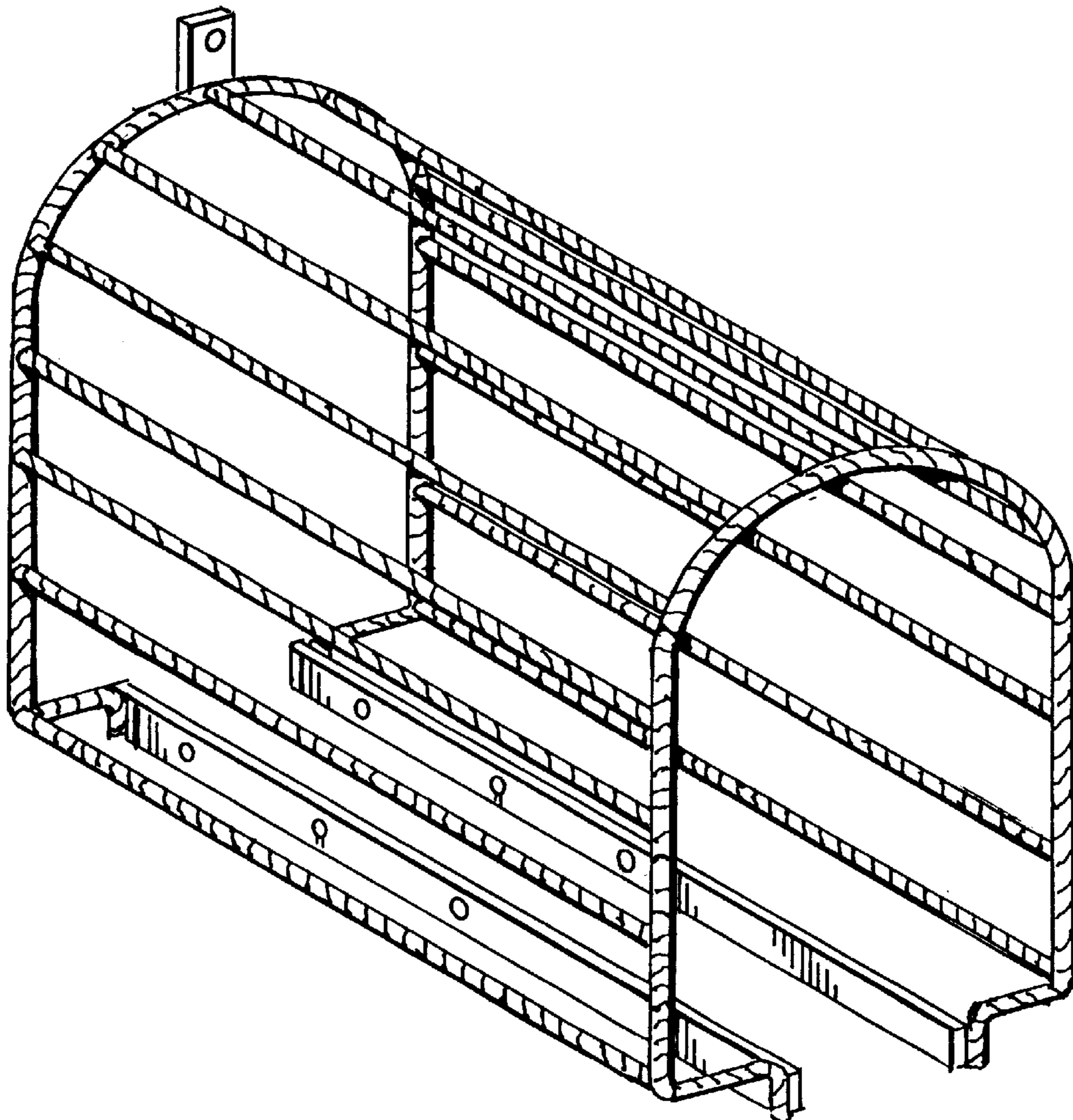
(57) **CLAIM**

The ornamental design for a roadside mailbox protective shield, as shown and described.

DESCRIPTION

FIG. 1 is perspective view of a roadside mailbox protective shield, showing my new design;
 FIG. 2 is a side elevational view thereof; the view from the opposite side being a mirror image;
 FIG. 3 is a top view thereof;
 FIG. 4 is a front elevational view thereof;
 FIG. 5 is a bottom view thereof; and,
 FIG. 6 is a rear elevational view thereof on a reduced scale.

1 Claim, 2 Drawing Sheets



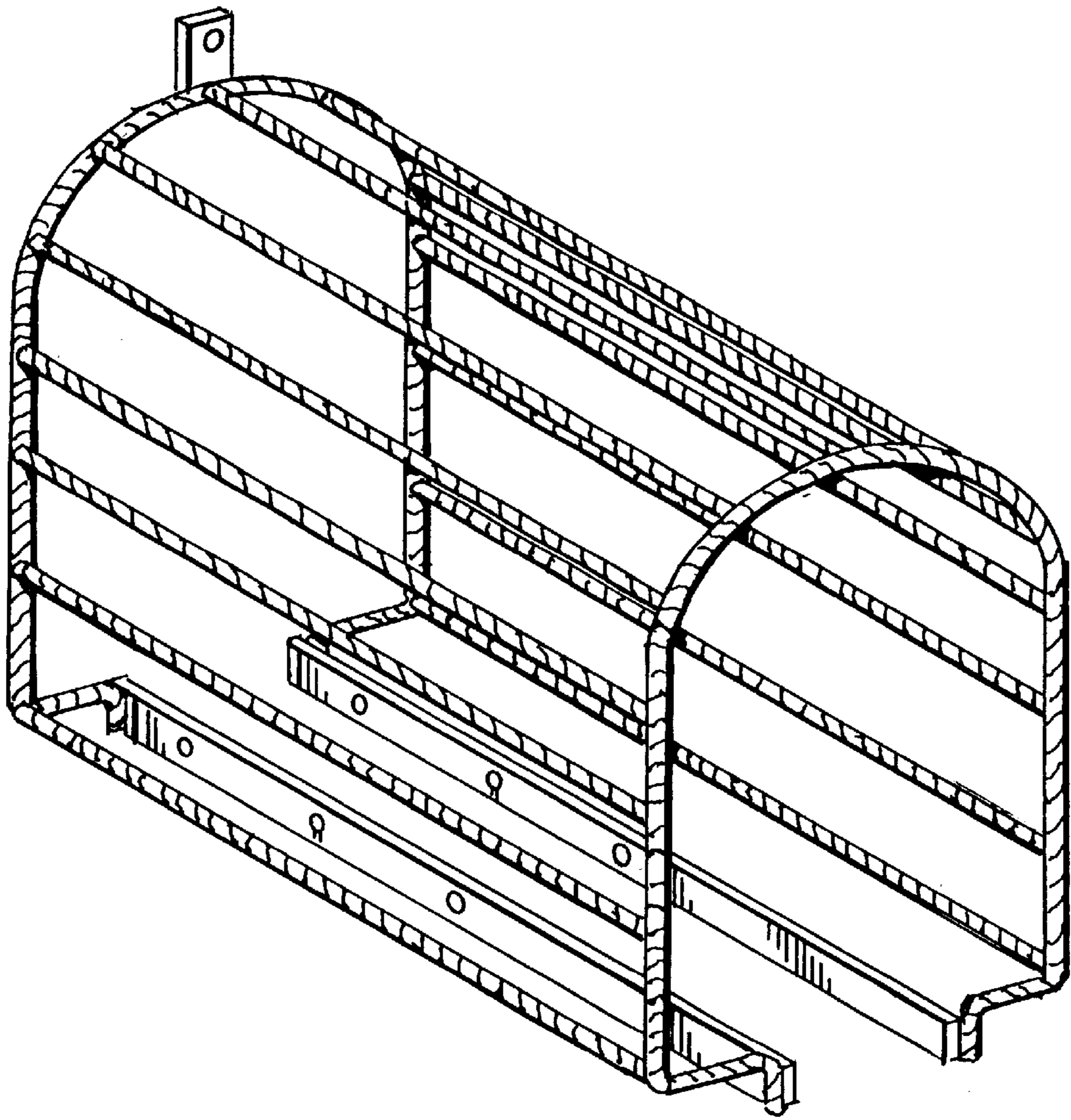


FIG. 1

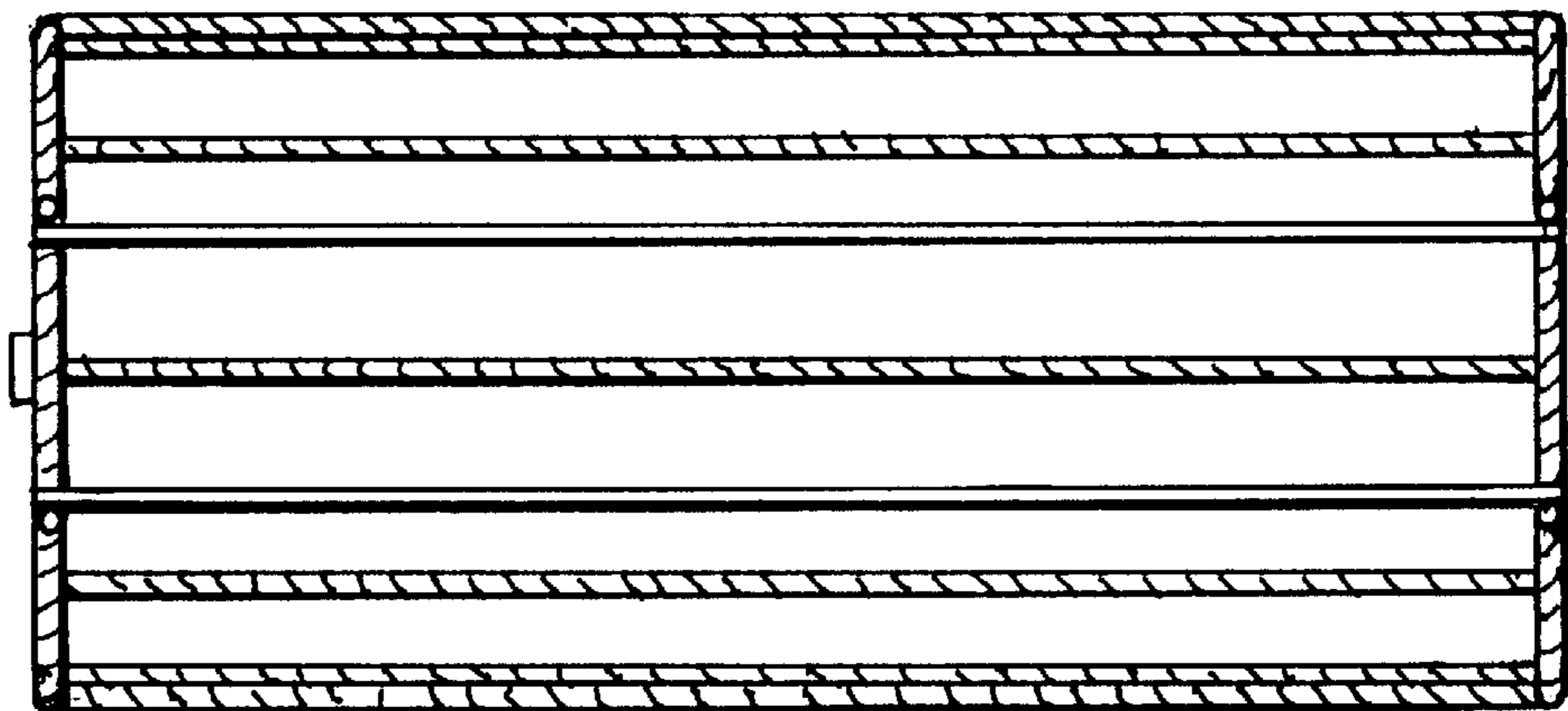


FIG. 5

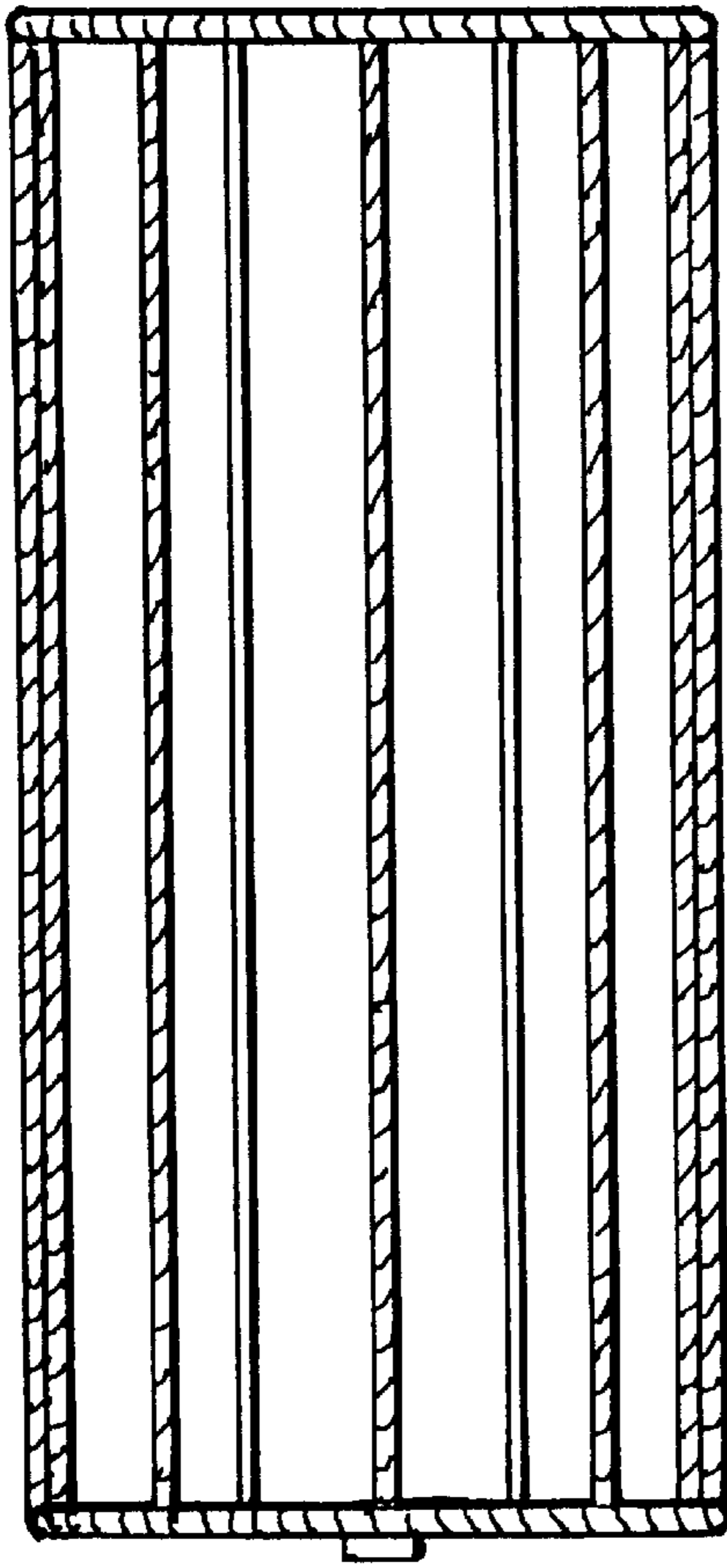


FIG. 3

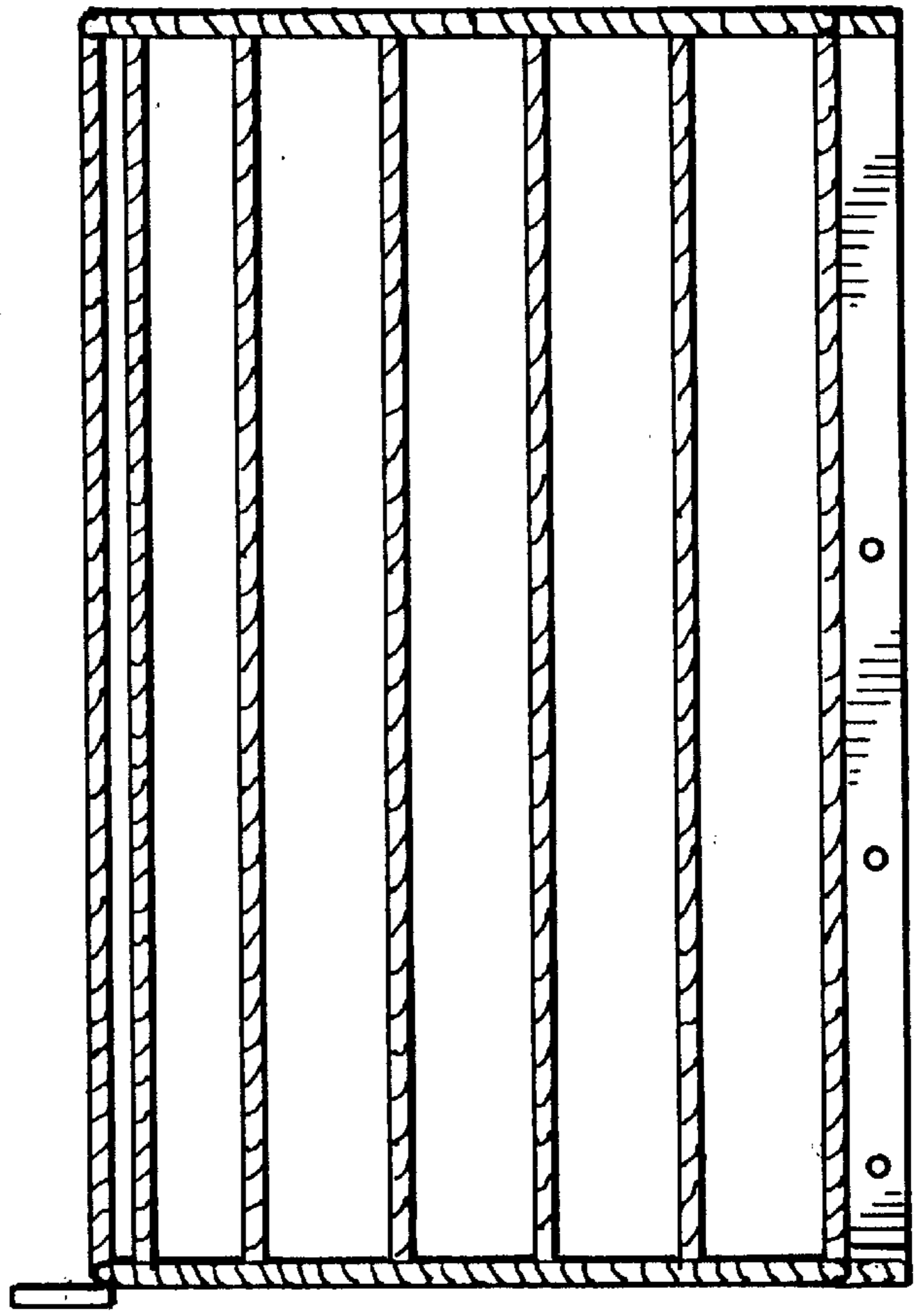


FIG. 2

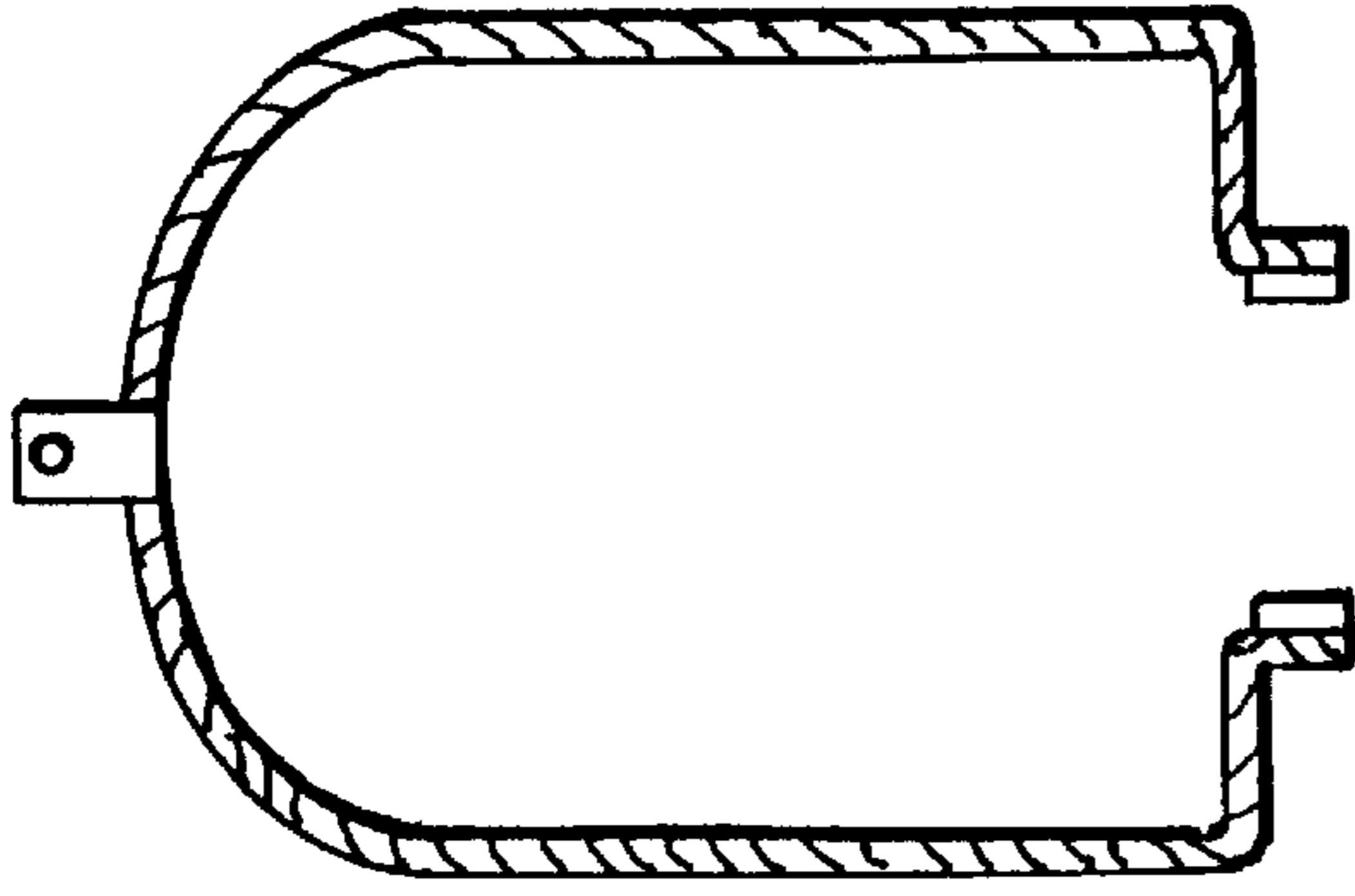


FIG. 6

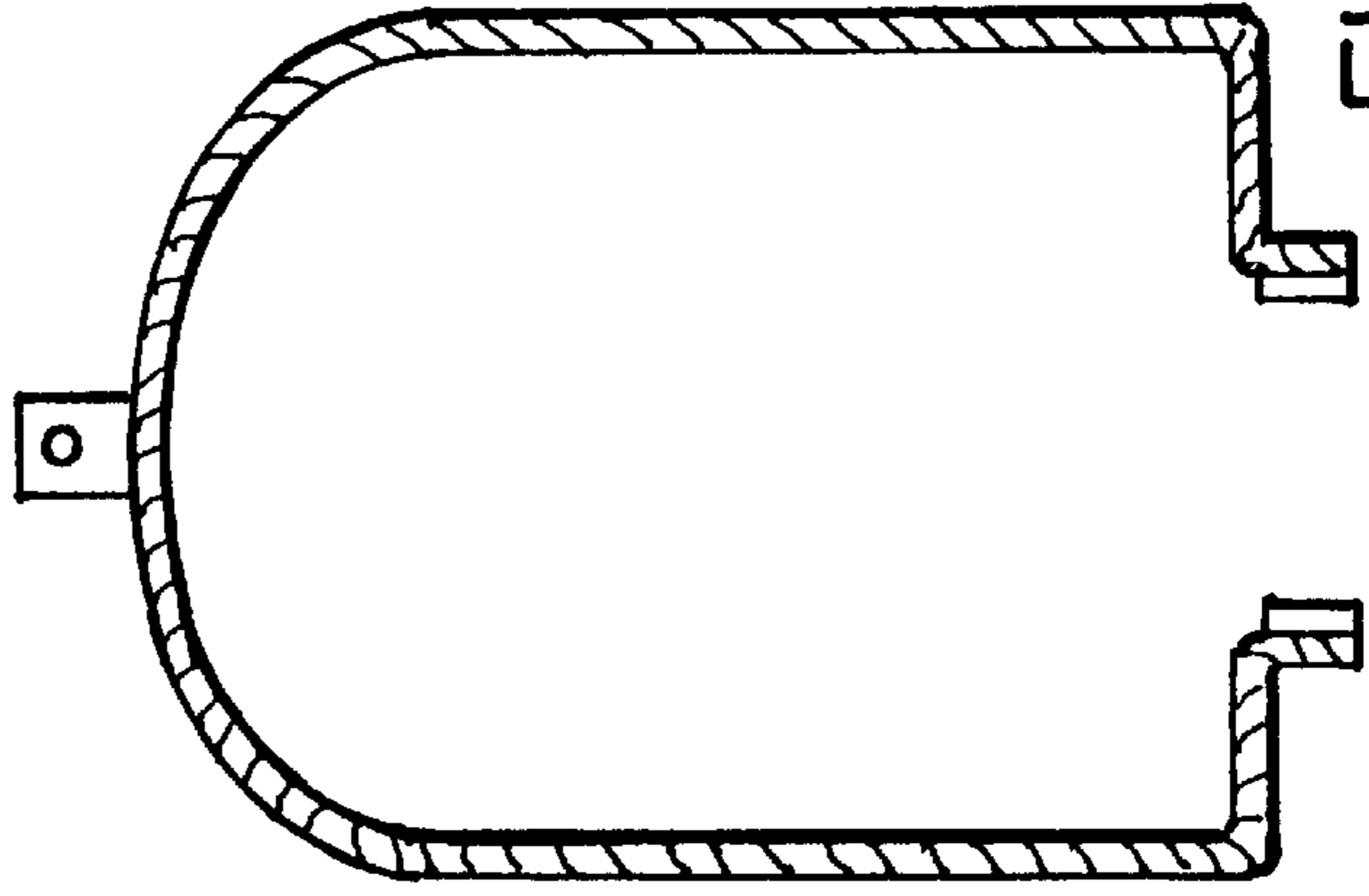


FIG. 4