



US00D449724B1

(12) **United States Design Patent**  
**Nighy et al.**

(10) **Patent No.:** **US D449,724 S**

(45) **Date of Patent:** **\*\* Oct. 23, 2001**

(54) **ACCESSORY FOR VACUUM CLEANER**

(75) Inventors: **Richard John Nighy**, Bath; **Samuel Dyson**, Bristol, both of (GB)

(73) Assignee: **Notetry Limited**, Wiltshire (GB)

(\*\*) Term: **14 Years**

(21) Appl. No.: **29/124,188**

(22) Filed: **Jun. 1, 2000**

(30) **Foreign Application Priority Data**

Dec. 1, 1999 (GB) ..... 2088475

(51) **LOC (7) Cl.** ..... **15-05**

(52) **U.S. Cl.** ..... **D32/32**

(58) **Field of Search** ..... D32/21, 23-24,  
D32/31-33, 25; 15/322, 415.1-422.1, 386-387

(56) **References Cited**

**U.S. PATENT DOCUMENTS**

- D. 295,092 \* 4/1988 Mizuno et al. .... D32/32
- D. 312,904 \* 12/1990 Worwag ..... D32/32
- D. 326,938 \* 6/1992 Burns ..... D32/32

- D. 333,021 \* 2/1993 Breur ..... D32/32
- D. 333,022 \* 2/1993 Kramer et al. .... D32/32
- D. 333,539 \* 2/1993 Kramer et al. .... D32/32
- D. 427,737 \* 7/2000 Dyson et al. .... D32/32
- D. 443,120 \* 5/2001 Choi ..... D32/32

\* cited by examiner

*Primary Examiner*—Ruth McInroy

(74) *Attorney, Agent, or Firm*—Morrison & Foerster LLP

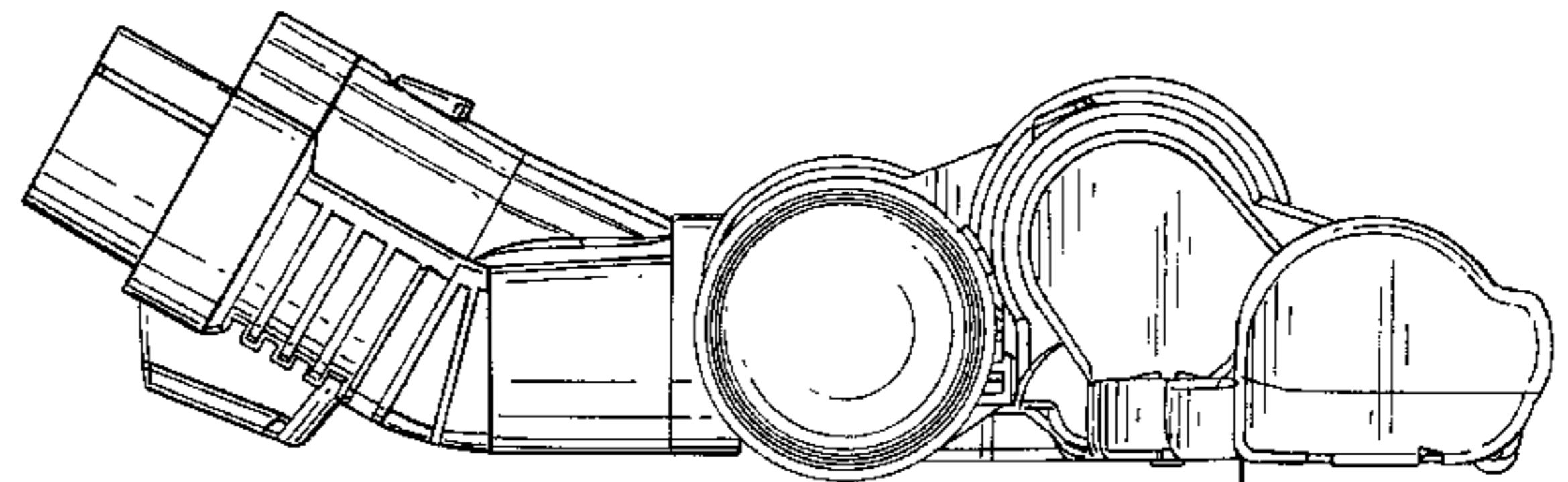
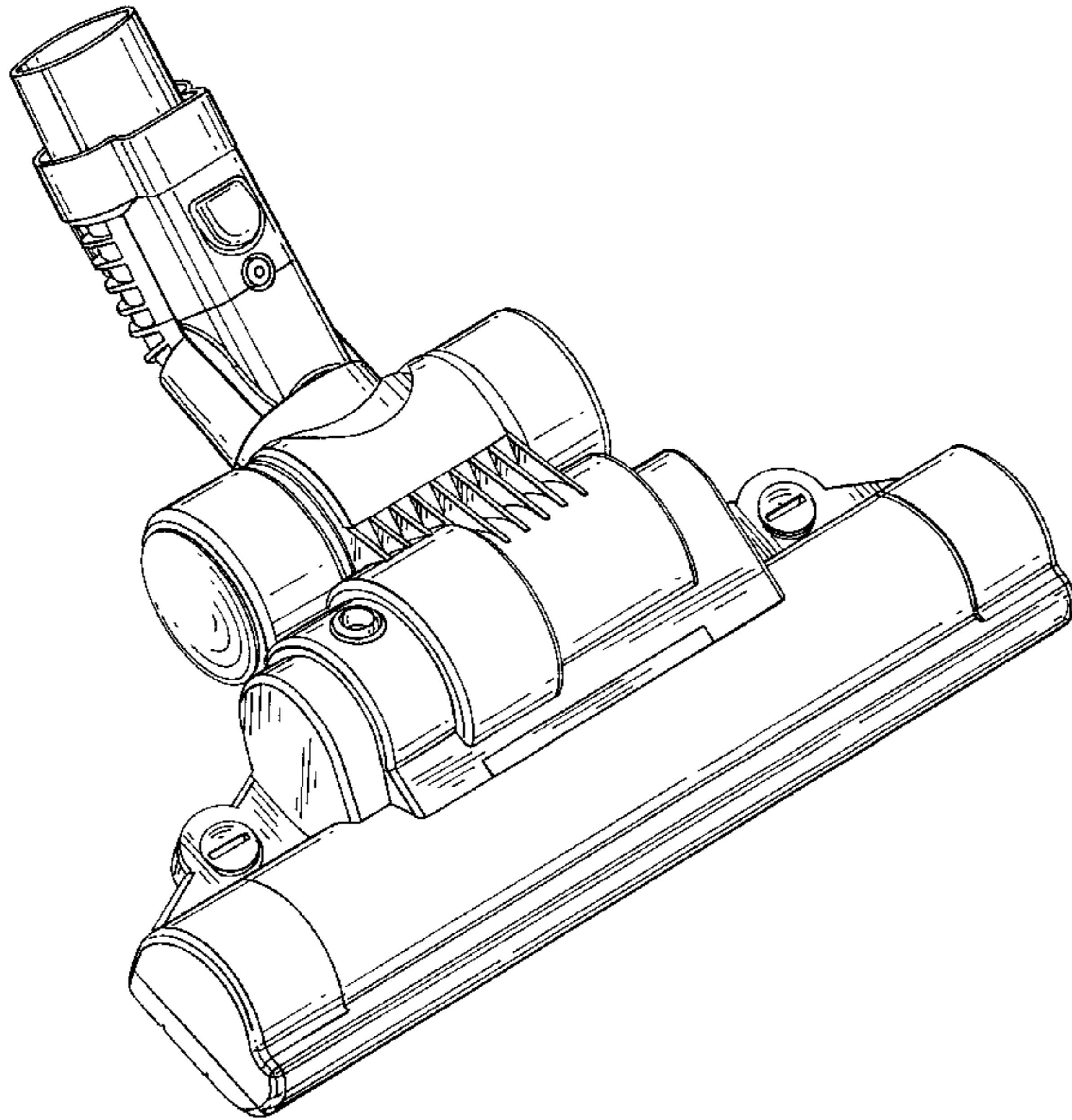
(57) **CLAIM**

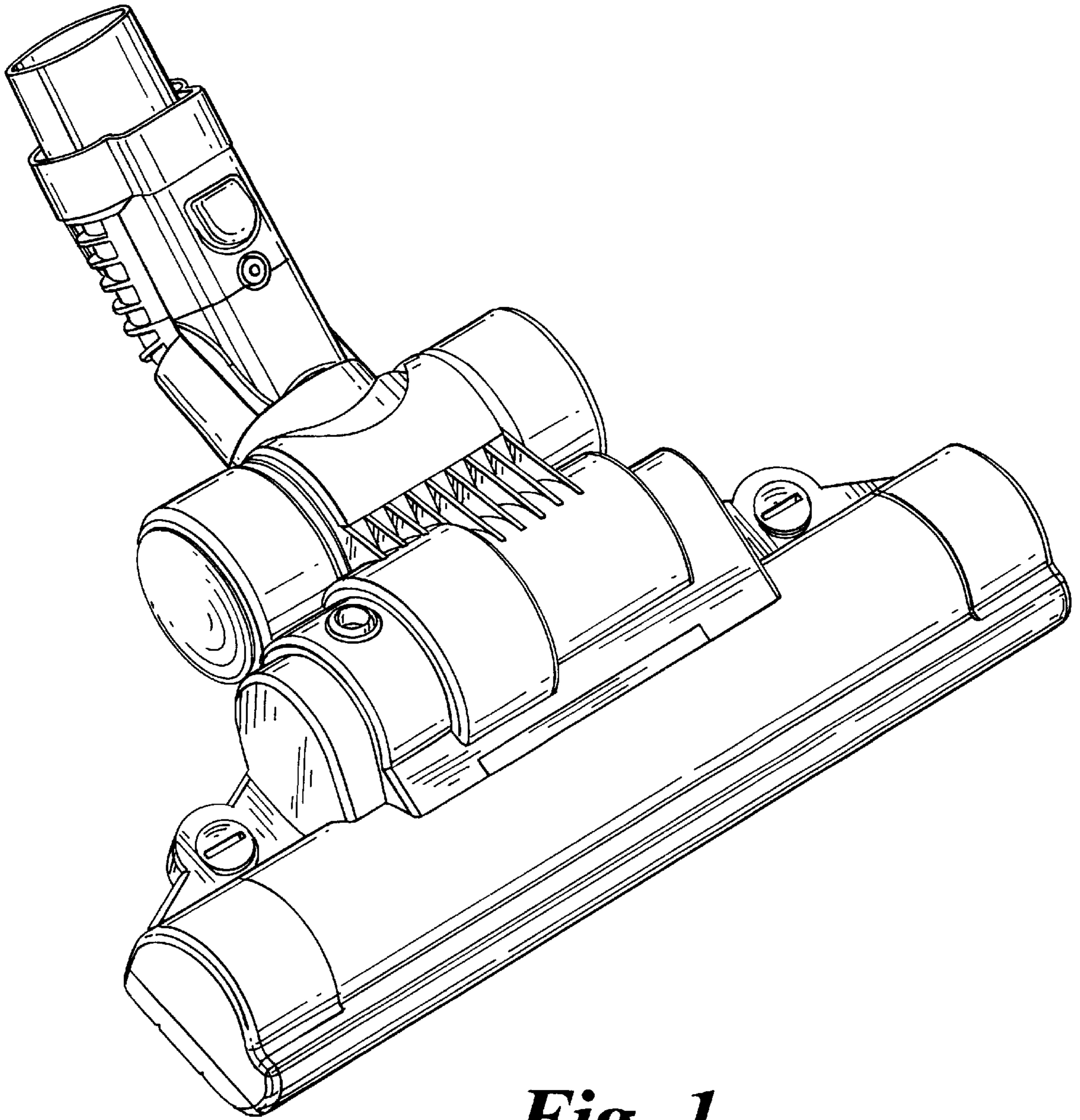
The ornamental design for an accessory for vacuum cleaner, as shown and described.

**DESCRIPTION**

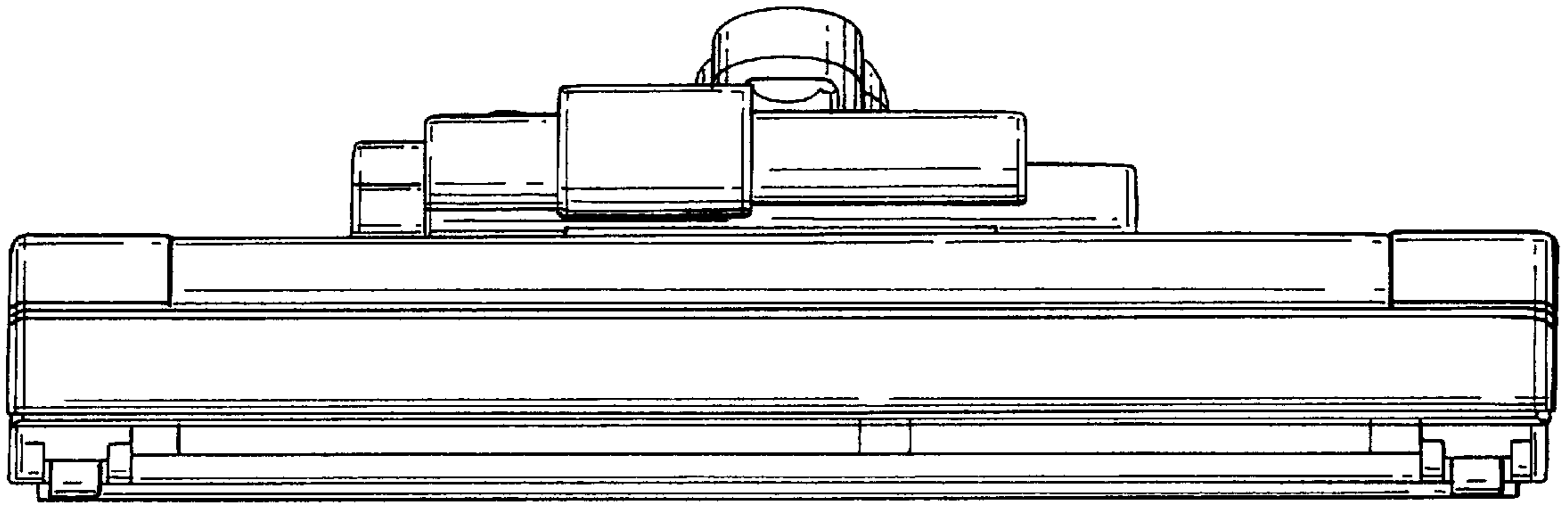
FIG. 1 is a perspective view from above, front and one side of an accessory for vacuum cleaner showing our new design; FIG. 2 is a front view thereof; FIG. 3 is a rear view thereof; FIG. 4 is a side view thereof; FIG. 5 is a side view of the opposite side of FIG. 5; FIG. 6 is a top plan view thereof; and, FIG. 7 is a bottom plan view thereof.

**1 Claim, 4 Drawing Sheets**

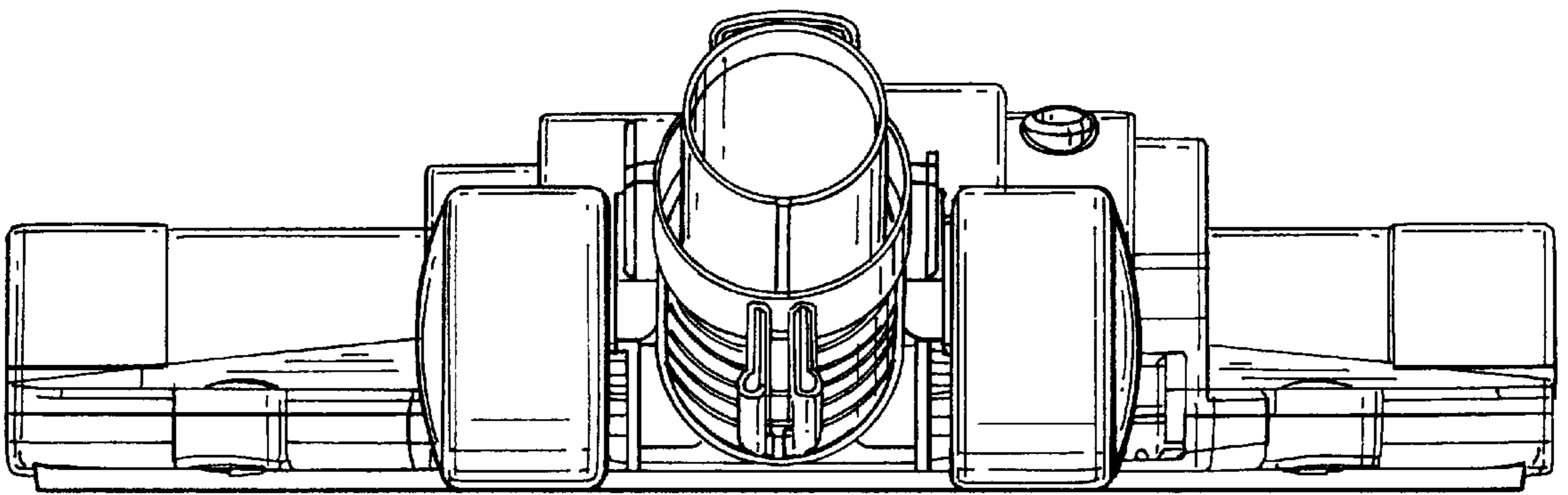




*Fig. 1*

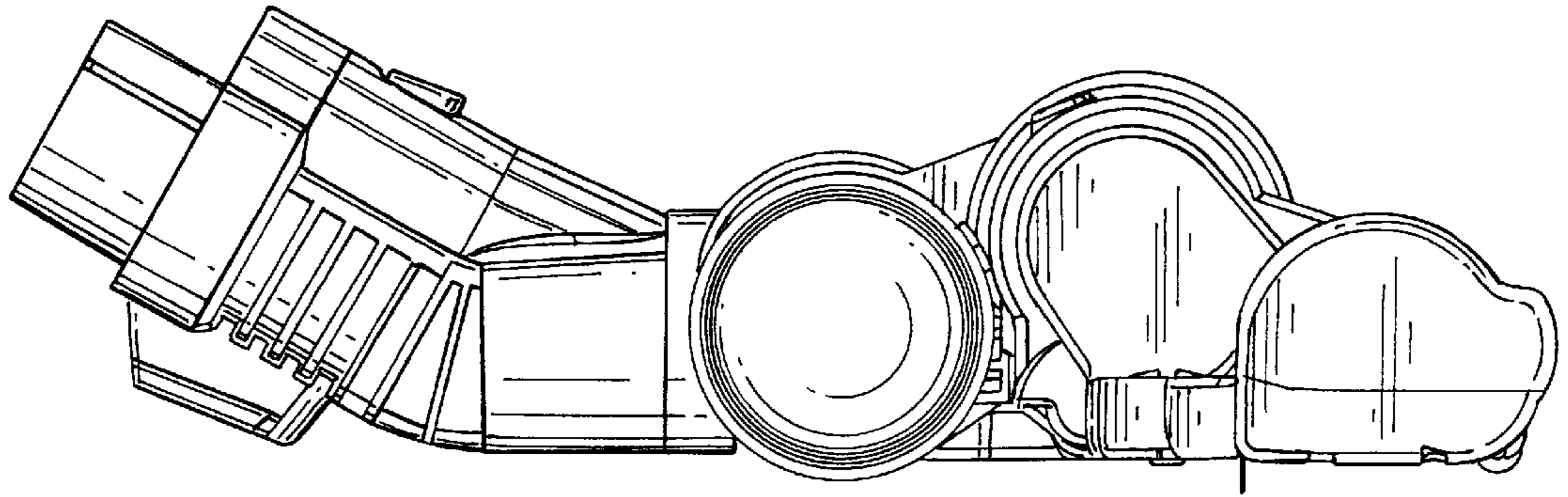


*Fig. 2*

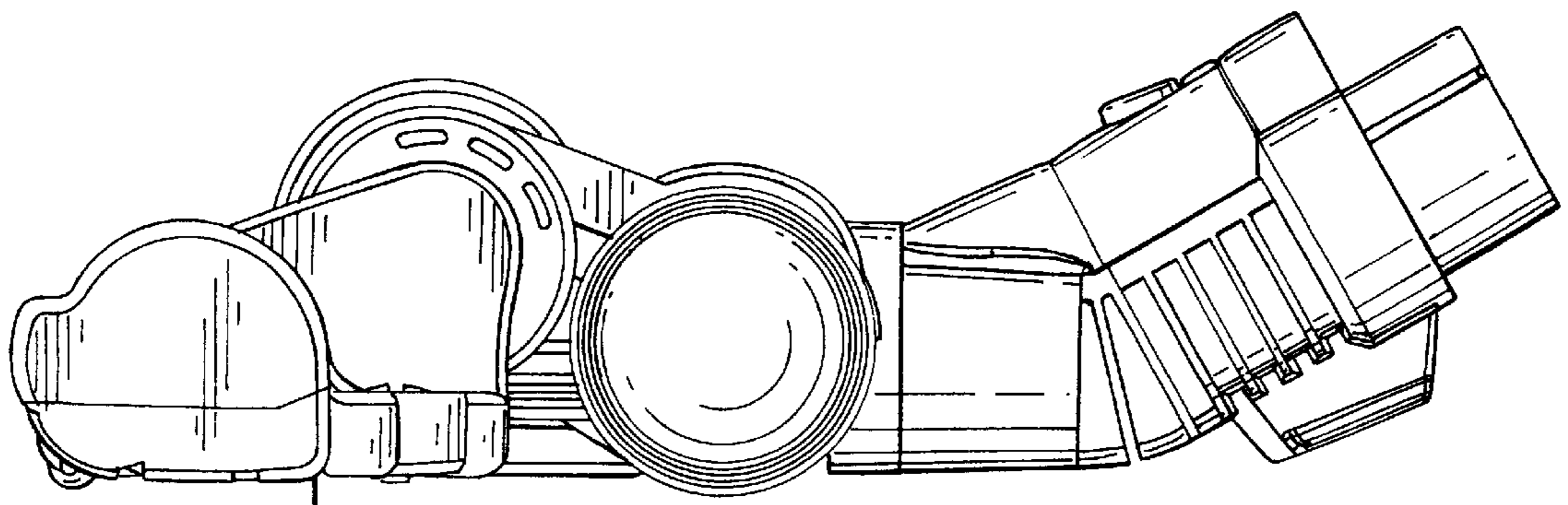


*Fig. 3*

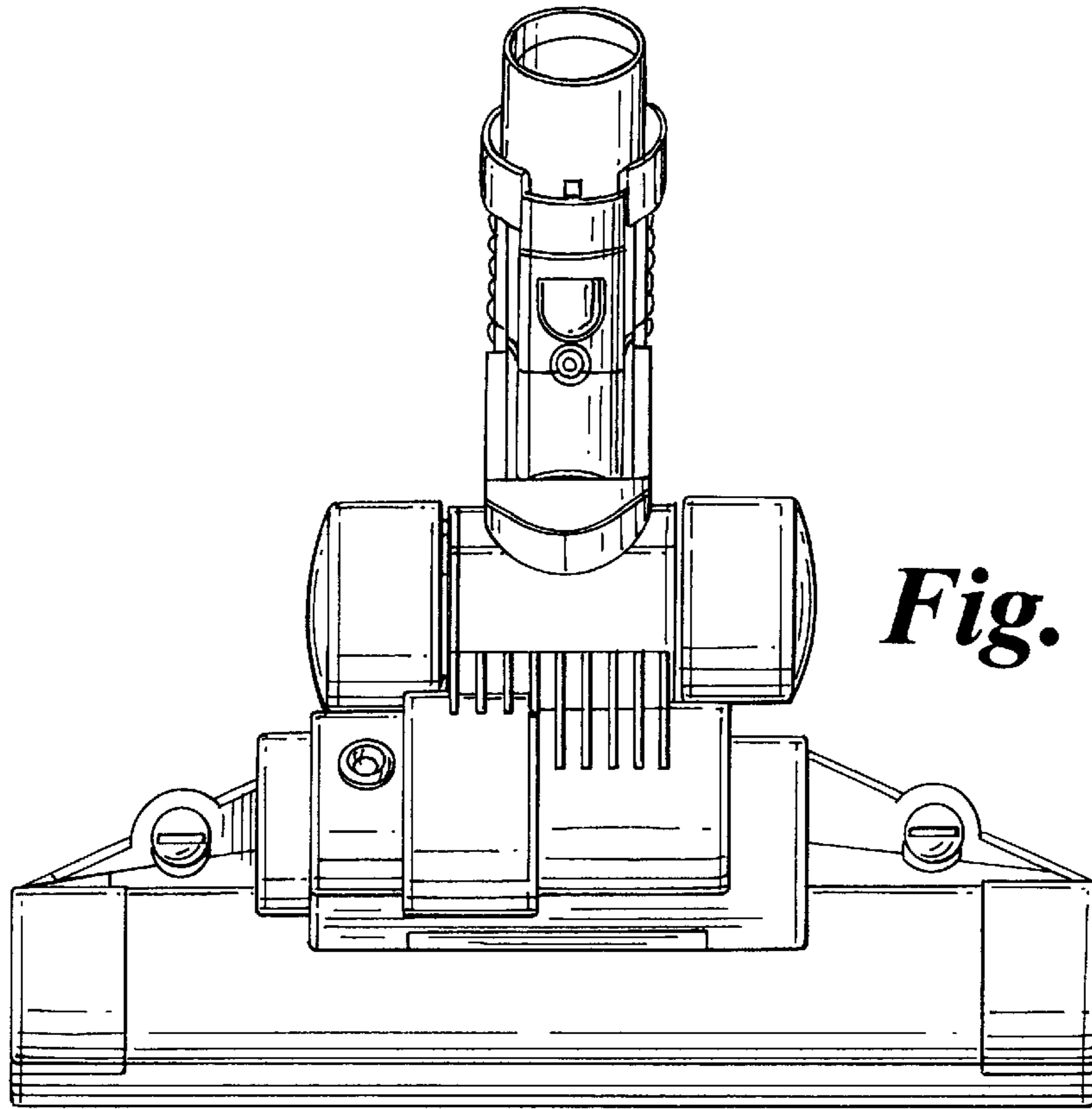




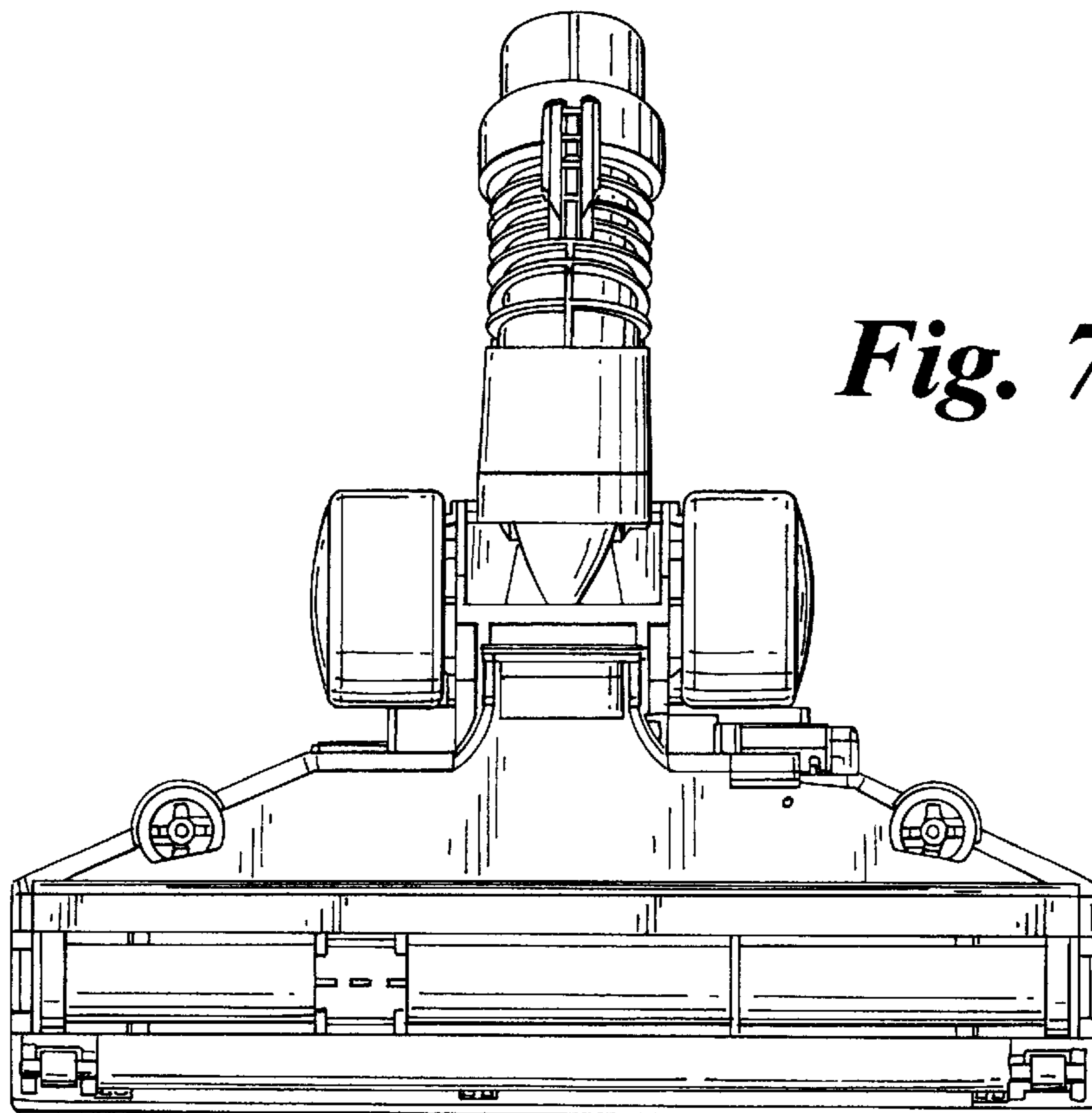
*Fig. 4*



*Fig. 5*



*Fig. 6*



*Fig. 7*