



US00D449720B2

(12) **United States Design Patent**
Costello

(10) **Patent No.:** **US D449,720 S**

(45) **Date of Patent:** **** Oct. 23, 2001**

(54) **CONTROL PANEL**

(75) Inventor: **James J. Costello**, Houston, TX (US)

(73) Assignee: **Equator Corporation**, Houston, TX (US)

(**) Term: **14 Years**

(21) Appl. No.: **29/130,333**

(22) Filed: **Sep. 29, 2000**

(51) **LOC (7) Cl.** **15-05**

(52) **U.S. Cl.** **D32/28**

(58) **Field of Search** D32/1, 5, 6, 25,
D32/28, 3; 68/139, 140, 142, 172-173

(56) **References Cited**

U.S. PATENT DOCUMENTS

D. 169,953	*	6/1953	Welcher et al.	D32/28
D. 184,559	*	3/1959	Combs	D32/28
D. 190,675	*	6/1961	Dushek	D32/28
D. 207,180	*	3/1967	Smith	D32/28
D. 219,064	*	10/1970	Ferar et al.	D32/28
D. 247,565		3/1978	Murakami	D14/68
D. 271,815		12/1983	Oosawa et al.	D32/6
D. 274,648		7/1984	Swanson	D24/17
D. 314,772		2/1991	Pierce et al.	D14/257
D. 359,602		6/1995	Swartz et al.	D32/6
D. 360,500		7/1995	Millet et al.	D32/1
D. 367,135		2/1996	Jacovin et al.	D32/5
D. 374,521		10/1996	Jucovin	D32/5
D. 380,883	*	7/1997	Katz et al.	D32/25
D. 387,519	*	12/1997	Ichijo	D32/25
D. 422,839		4/1999	Marchand	D7/405
D. 423,287		4/2000	Marchand	D7/405
D. 423,514		4/2000	Shindo	D14/240
5,076,306		12/1991	Suzuki et al.	134/95

OTHER PUBLICATIONS

Equator Combination Washer Dryers, Equator Corp., 1999.
The Complete Ventless Laundry System For People Who
Need Their Space, Equator Corp., 1999.
LeGuide, Thomson, Jan. 1998.

Lave-Vaisselle, Lauage, Froid; Rosieres, 1995.
LG Turbo Drum, LG Electronics, Inc., 1998.
Eumenia, Eudora GmbH, 1997.
Fisher & Paykel Dishwasher, Fisher & Paykel, 1998.
Candy, Ciemi Candy, 1998.
Whirlpool mouveautes, Whirlpool Appareils Menagers,
1998.
Philco e per sempre, Philco Italia S.p.A., 1998.

* cited by examiner

Primary Examiner—Mitchell Siegel
(74) *Attorney, Agent, or Firm*—Guy McClung

(57) **CLAIM**

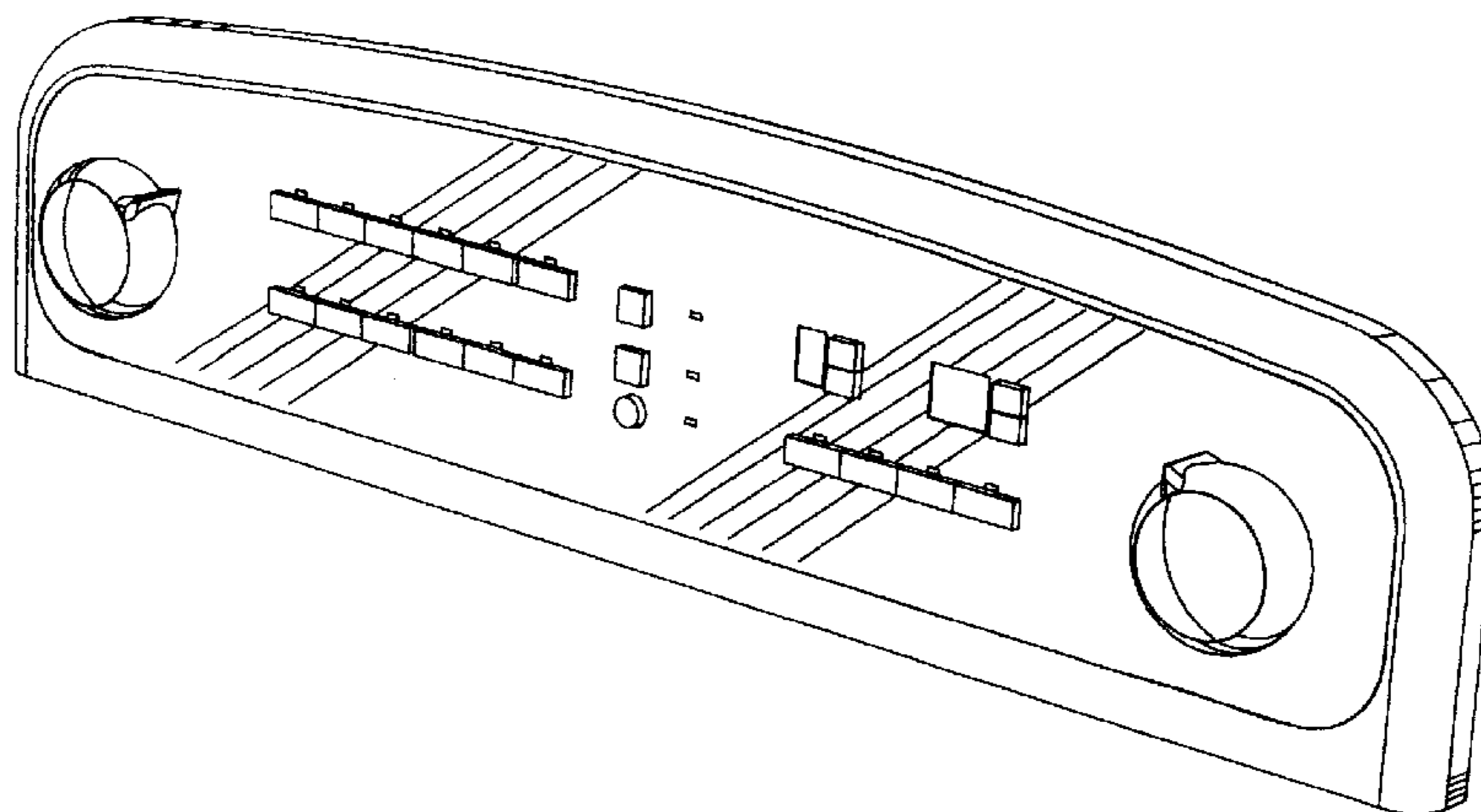
The ornamental design for a control panel, as shown and described.

DESCRIPTION

FIG. 1 is a front perspective view of a control panel according to the present invention.
FIG. 2 is a top view of the control panel of FIG. 1.
FIG. 3 is a front view of the control panel of FIG. 1.
FIG. 4 is a first side view of the control panel of FIG. 1.
FIG. 5 is a second side view of the control panel of FIG. 1, opposite the first side shown in FIG. 4.
FIG. 6 is a rear view of the control panel of FIG. 1.
FIG. 7 is a bottom perspective view of the control panel of FIG. 1.
FIG. 8 is a front perspective view of a control panel according to the present invention.
FIG. 9 is a top view of the control panel of FIG. 8.
FIG. 10 is a front view of the control panel of FIG. 8.
FIG. 11 is a first side view of the control panel of FIG. 8.
FIG. 12 is a second side view of the control panel of FIG. 8, opposite the first side shown in FIG. 11.
FIG. 13 is a rear view of the control panel of FIG. 8; and, FIG. 14 is a bottom perspective view of the control panel of FIG. 8.

The shading lines are for illustrative purposes only and form no part of the claimed design.

1 Claim, 4 Drawing Sheets



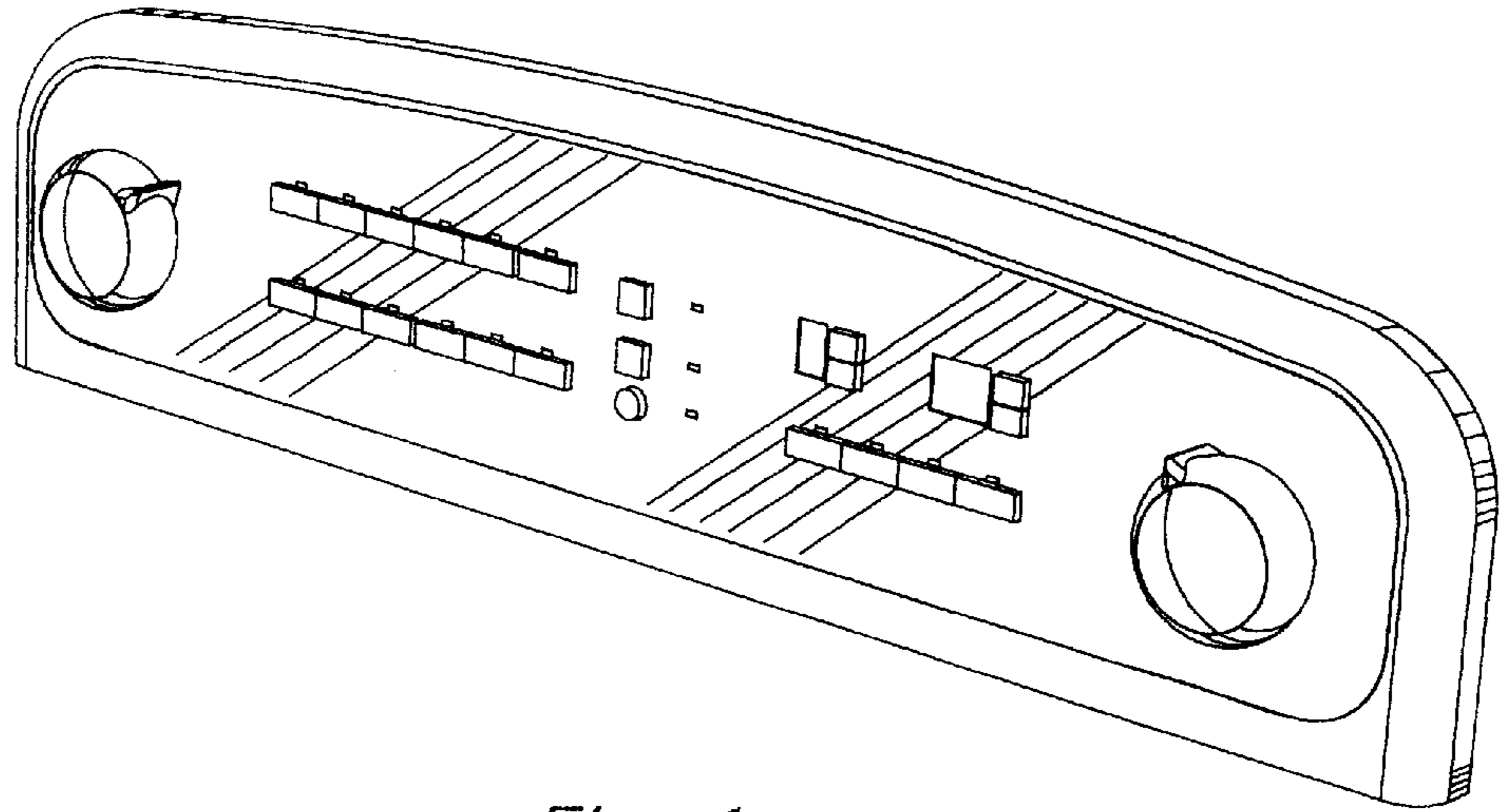


Fig. 1

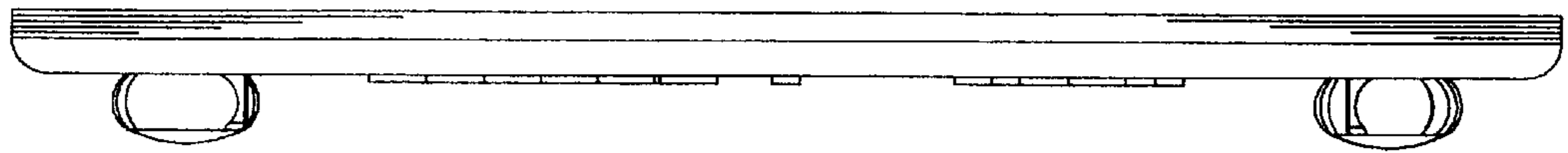


Fig. 2

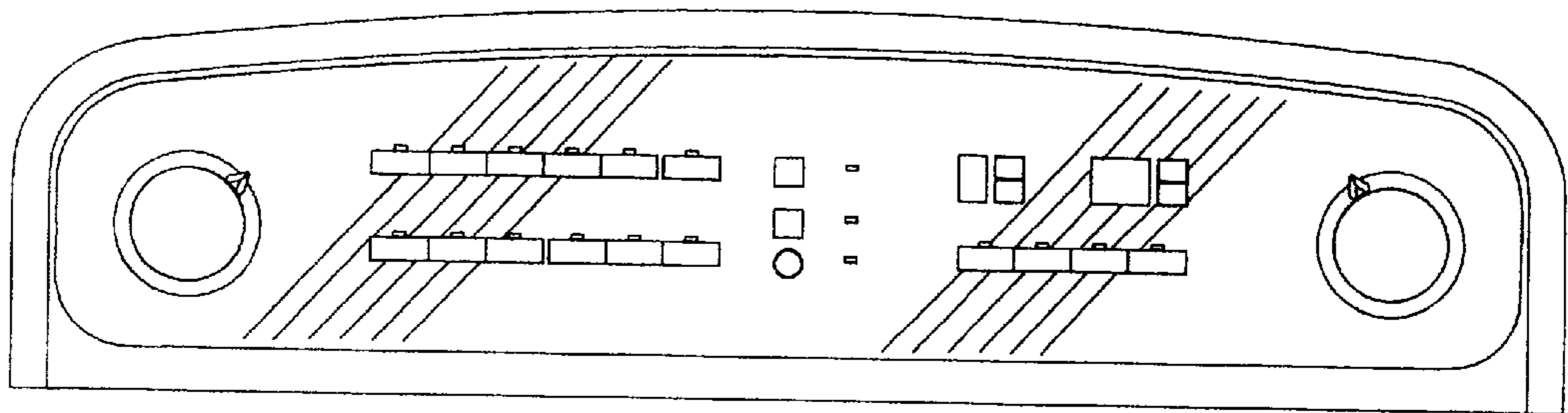


Fig. 3

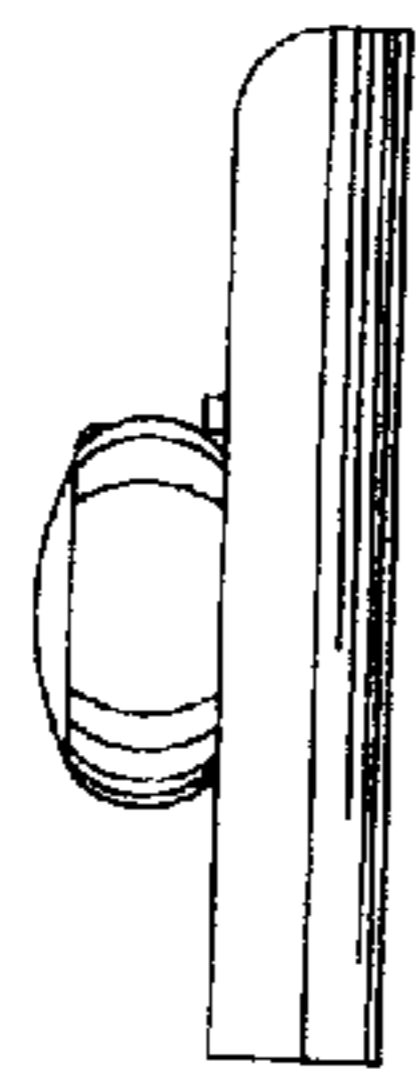


Fig. 4

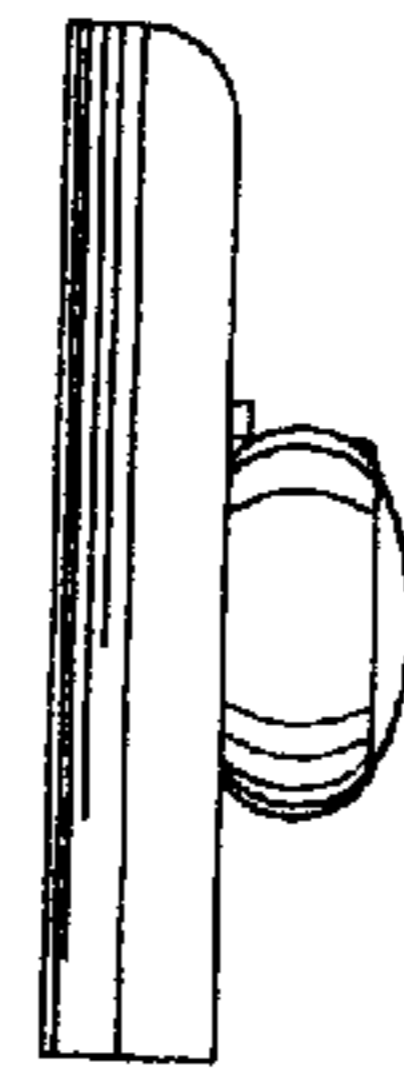


Fig. 5

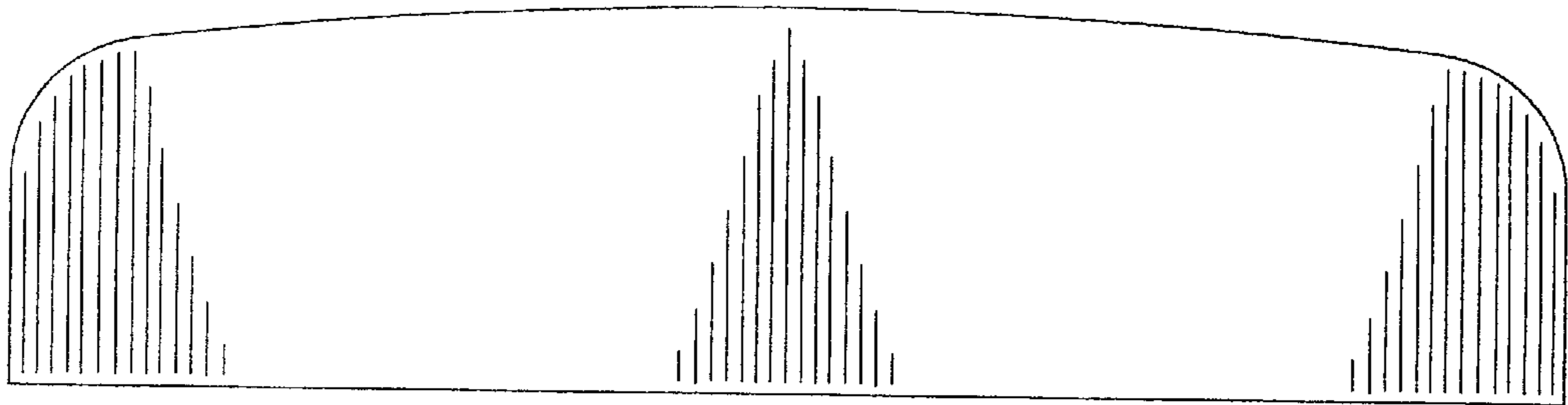


Fig. 6

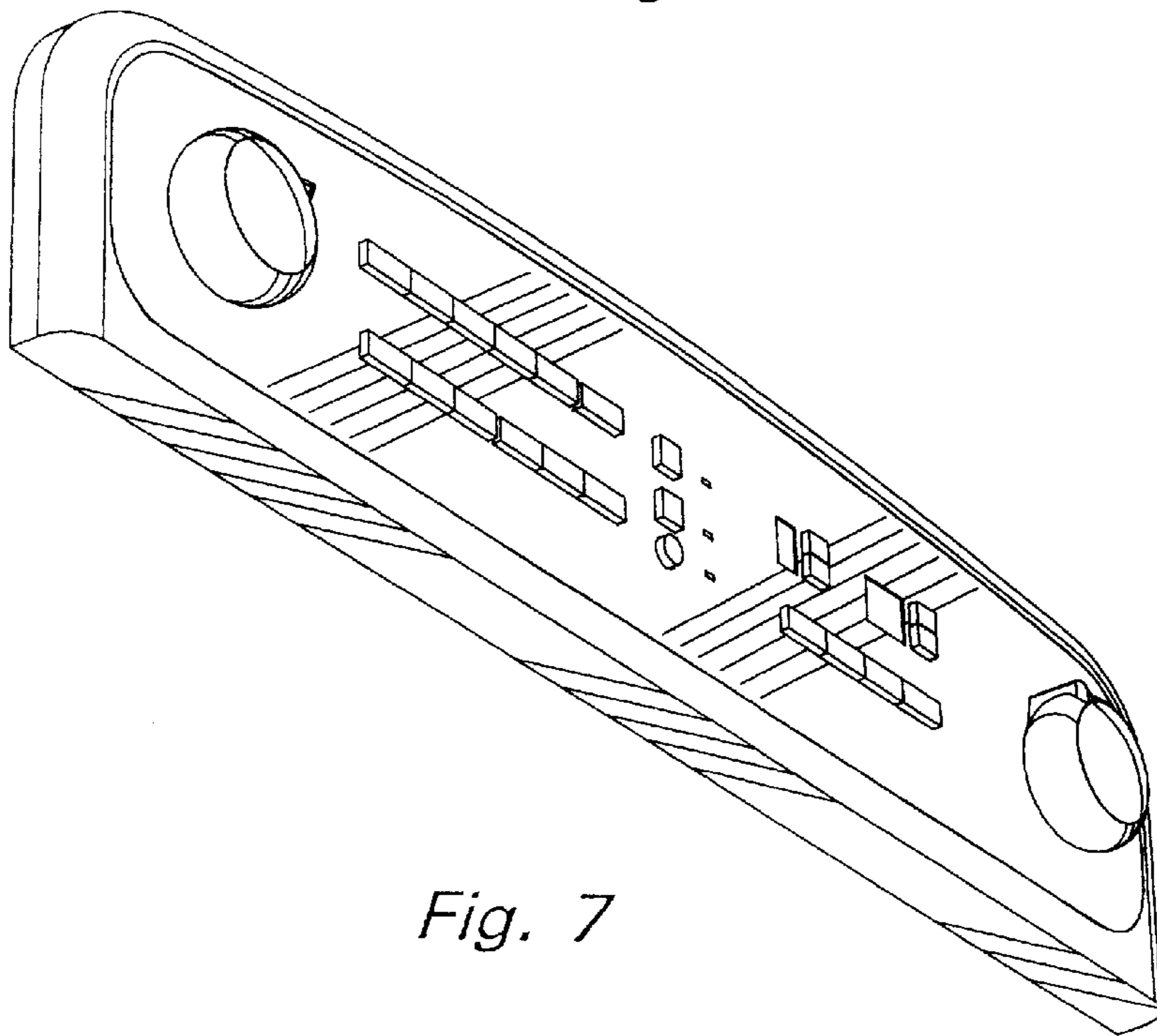


Fig. 7

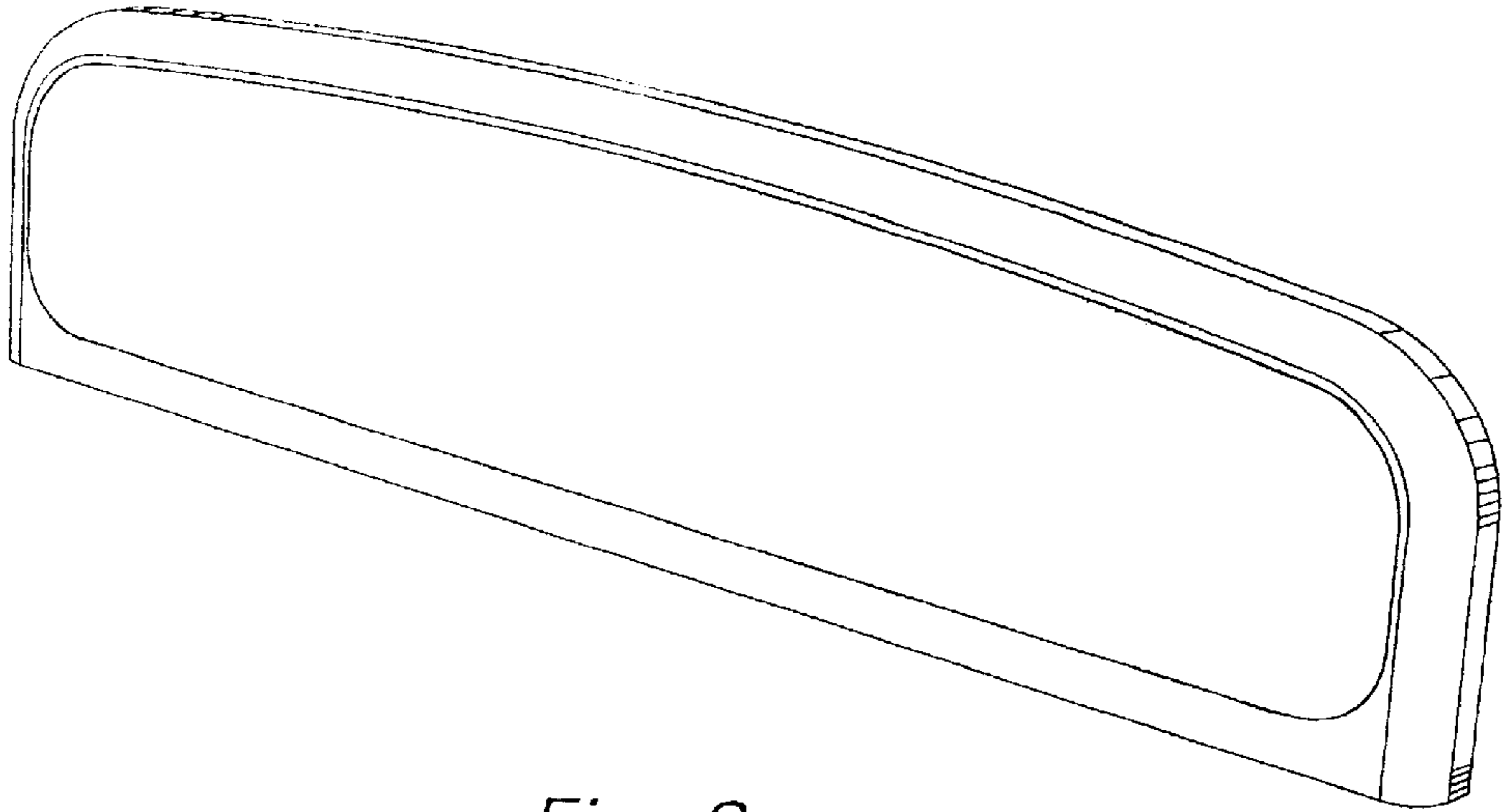


Fig. 8

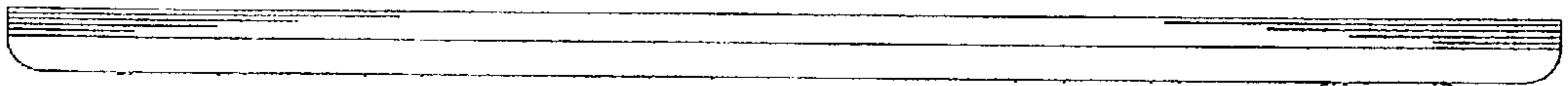


Fig. 9

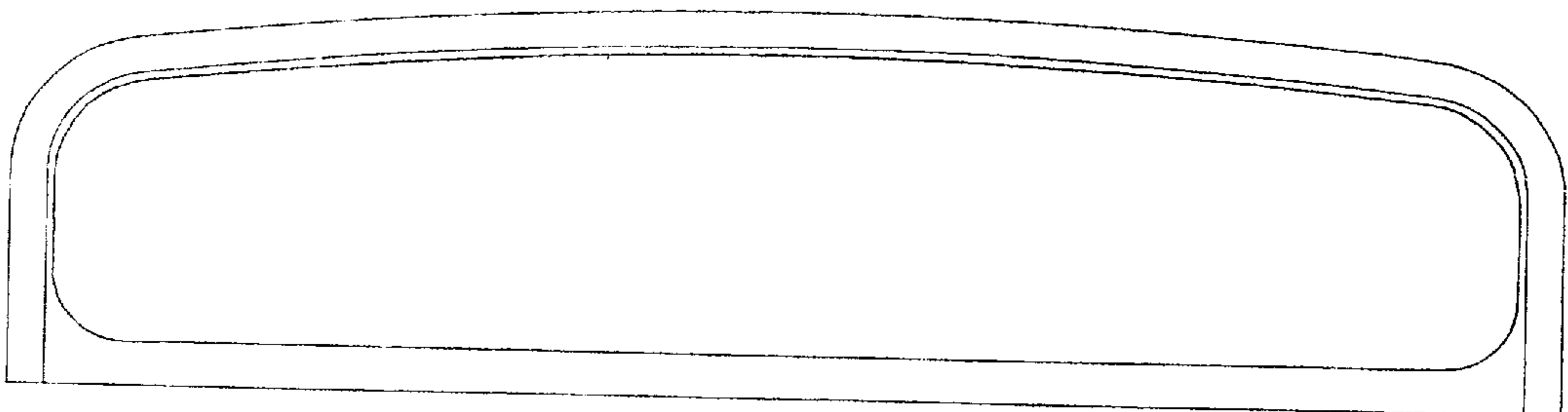


Fig. 10



Fig. 11



Fig. 12

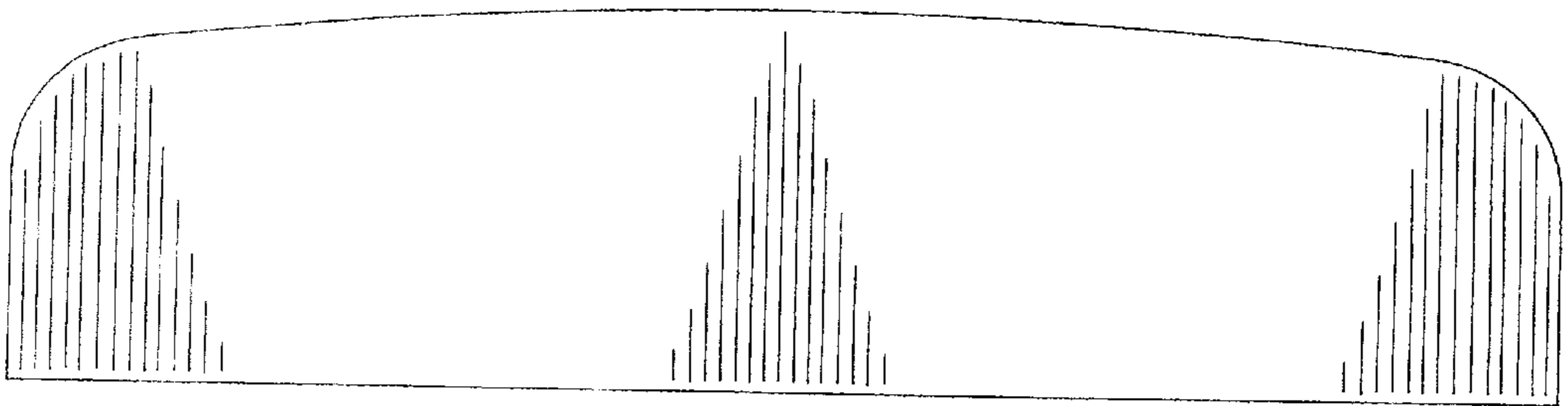


Fig. 13

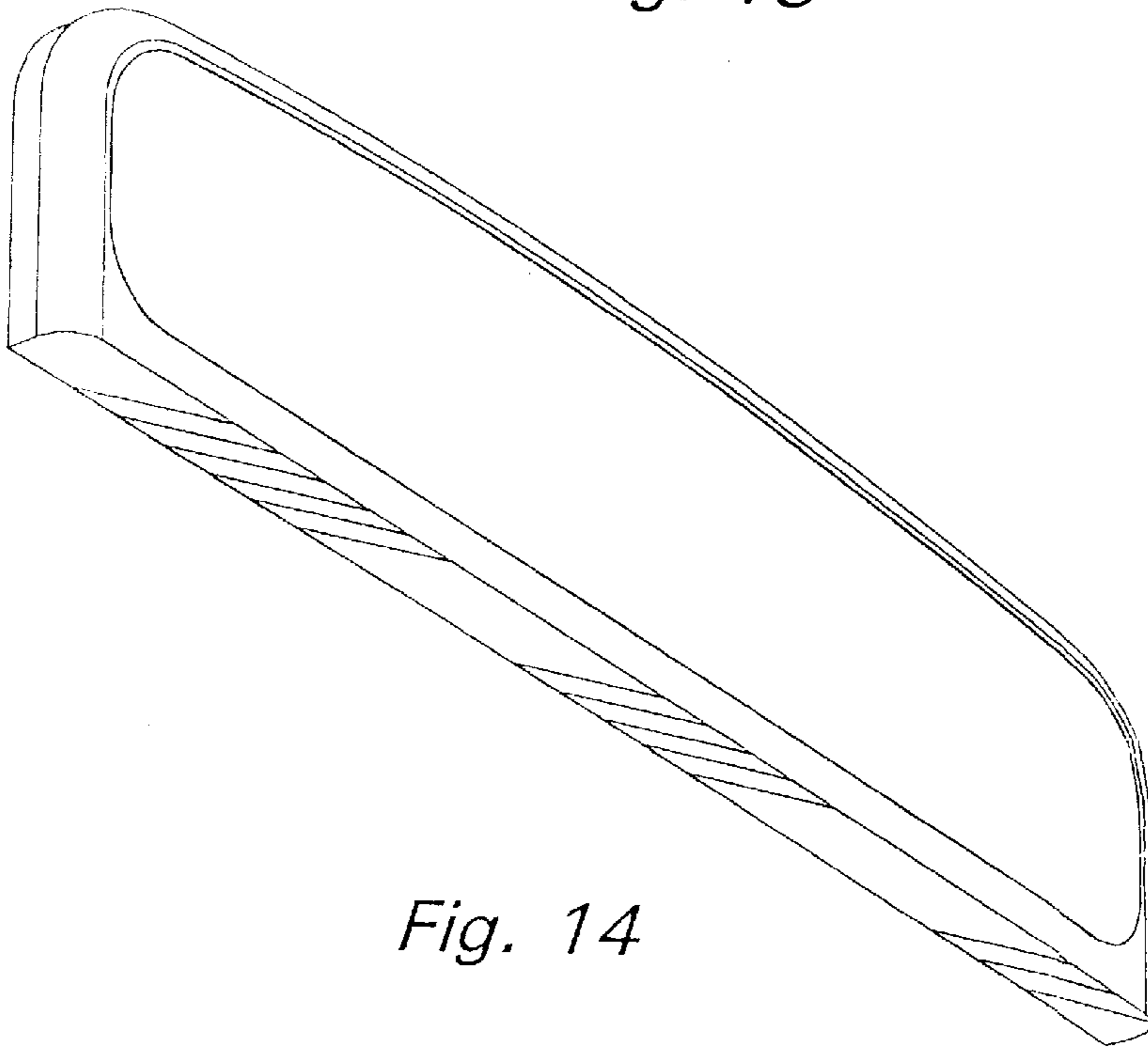


Fig. 14