



US00D449710B2

(12) **United States Design Patent**
Wonderley

(10) **Patent No.:** **US D449,710 S**

(45) **Date of Patent:** **** Oct. 23, 2001**

(54) **SAFETY RAZOR**

(75) **Inventor:** **Jeffrey W. Wonderley**, Fort Defiance, VA (US)

(73) **Assignee:** **American Safety Razor Company**, Staunton, VA (US)

(**) **Term:** **14 Years**

(21) **Appl. No.:** **29/091,180**

(22) **Filed:** **Jul. 24, 1998**

(51) **LOC (7) Cl.** **28-03**

(52) **U.S. Cl.** **D28/47; D28/46**

(58) **Field of Search** D28/44-48; 30/32, 30/34.05, 47-51, 84, 526, 527, 530, 532, 533, 539

(56) **References Cited**

U.S. PATENT DOCUMENTS

D. 248,577	*	7/1978	Byrne	D28/48
D. 271,813	*	12/1983	Gray	D28/46
D. 274,010	*	5/1984	Iten	D28/47
D. 284,316	*	6/1986	Halm	D28/44
D. 364,707	*	11/1995	Shurtleff	D28/46
4,057,896	*	11/1977	Trotta	30/47 X
4,587,730	*	5/1986	Iten	30/541
4,785,935	*	11/1988	Iten	206/372
4,833,779	*	5/1989	Iten	30/47
4,996,772	*	3/1991	Iten	30/41 X

* cited by examiner

Primary Examiner—Ted Shooman

Assistant Examiner—C Tuttle

(74) *Attorney, Agent, or Firm*—McDermott, Will & Emery

(57) **CLAIM**

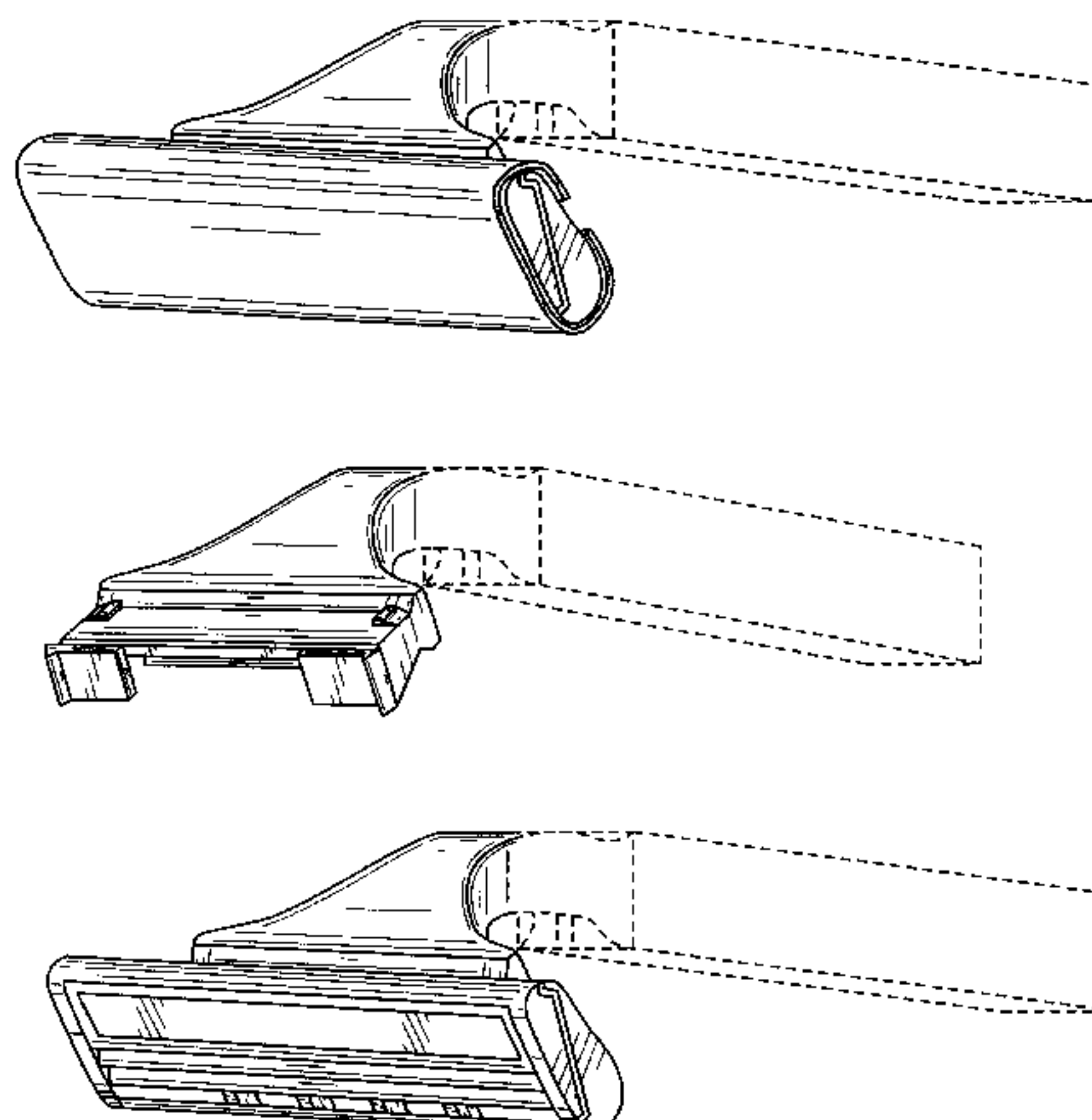
The ornamental design for a safety razor, as shown and described.

DESCRIPTION

FIG. 1 is a front perspective view of a safety razor showing the razor head, blade, and protective cap;

FIG. 2 is a top plan view of FIG. 1;
 FIG. 3 is a bottom plan view of FIG. 1;
 FIG. 4 is a side elevation view of FIG. 1;
 FIG. 5 is a front elevation view of FIG. 1;
 FIG. 6 is a rear elevation view of FIG. 1;
 FIG. 7 is a front perspective view of the razor head portion of the design, shown separate from the assembly for clarity and completeness of disclosure;
 FIG. 8 is a top plan view of FIG. 7;
 FIG. 9 is a bottom plan view of FIG. 7;
 FIG. 10 is a side elevation view of FIG. 7;
 FIG. 11 is a front elevation view of FIG. 7;
 FIG. 12 is a rear elevation view of FIG. 7;
 FIG. 13 is a front perspective view of the blade portion of the design, shown separate from the assembly for clarity and completeness of disclosure;
 FIG. 14 is a front elevation view, enlarged for clarity, of FIG. 13;
 FIG. 15 is a rear elevation view, enlarged for clarity, of FIG. 13;
 FIG. 16 is a side elevation view, enlarged for clarity, of FIG. 13;
 FIG. 17 is a top plan view, enlarged for clarity, of FIG. 13;
 FIG. 18 is a bottom plan view, enlarged for clarity, of FIG. 13;
 FIG. 19 is a front perspective view of the razor and blade portion, shown without the cap for clarity and completeness of disclosure;
 FIG. 20 is a top plan view of FIG. 19;
 FIG. 21 is a bottom plan view of FIG. 19;
 FIG. 22 is a side elevation view of FIG. 19;
 FIG. 23 is a front elevation view of FIG. 19;
 FIG. 24 is a rear elevation view of FIG. 19;
 FIG. 25 is a front perspective view of the protective cap portion, shown separate from the assembly for clarity and completeness of disclosure;
 FIG. 26 is a top plan view of FIG. 25;
 FIG. 27 is a bottom plan view of FIG. 25;
 FIG. 28 is a side elevation view of FIG. 25; and,
 FIG. 29 is a front elevation view of FIG. 25.
 The broken line showing of the razor handle is for illustrative purposes one and forms no part of the claimed design.

1 Claim, 13 Drawing Sheets



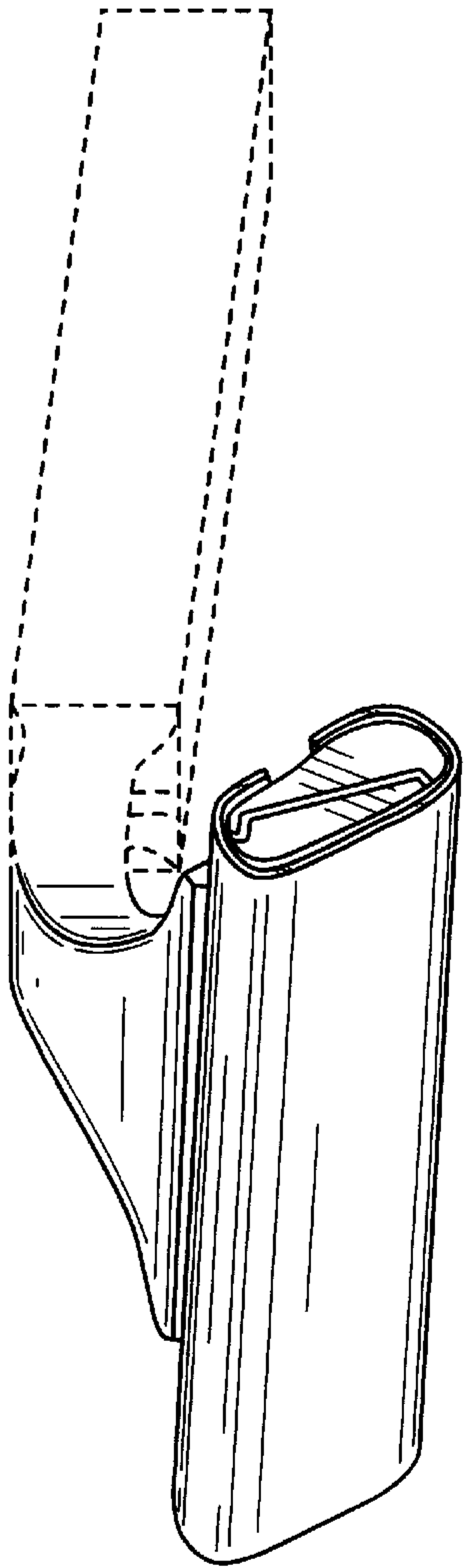


FIG. 1

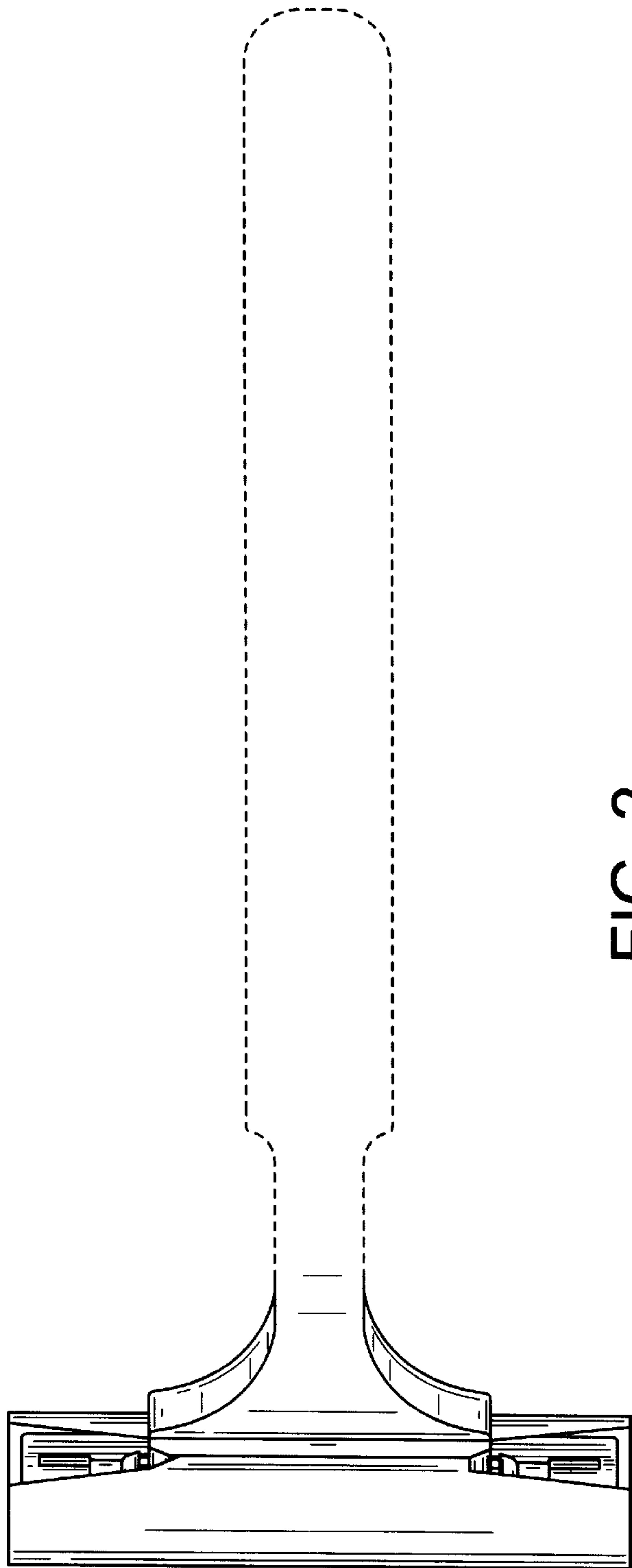


FIG. 2

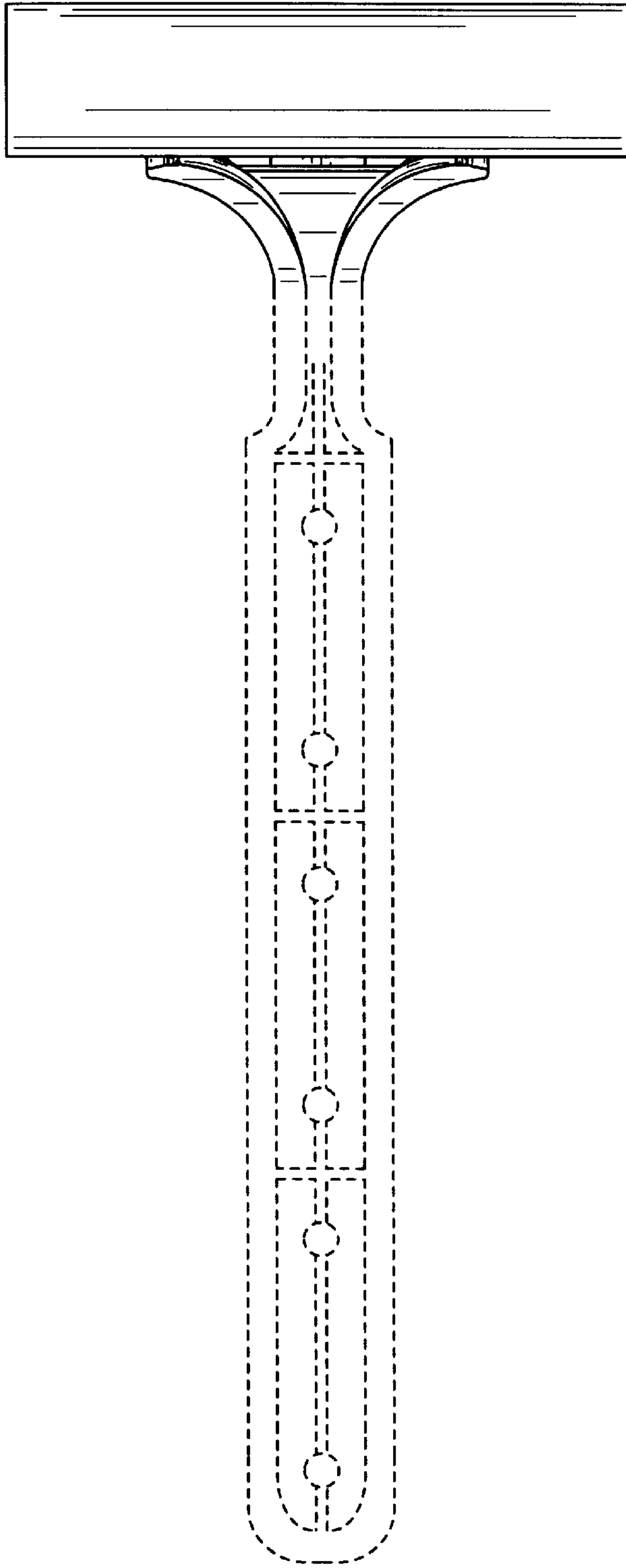


FIG. 3

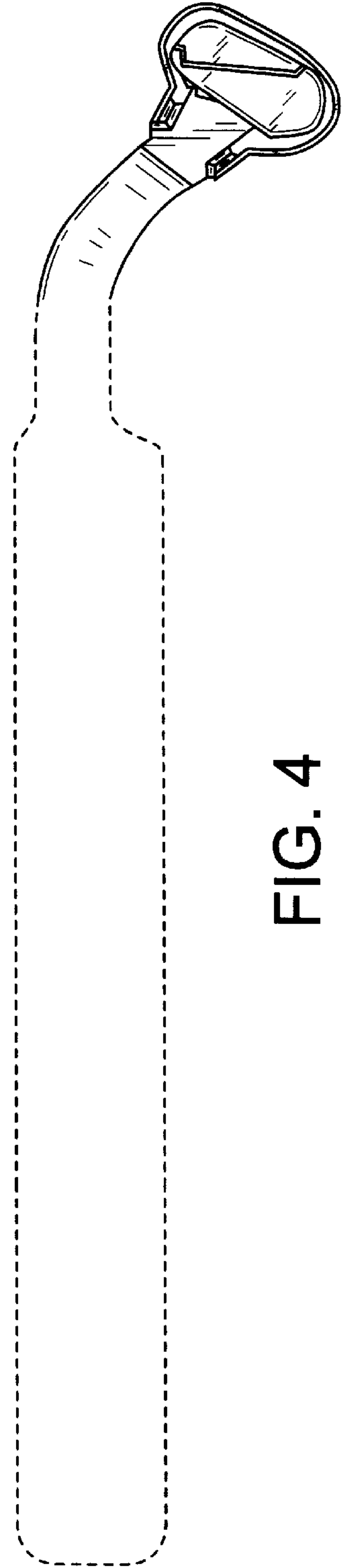


FIG. 4

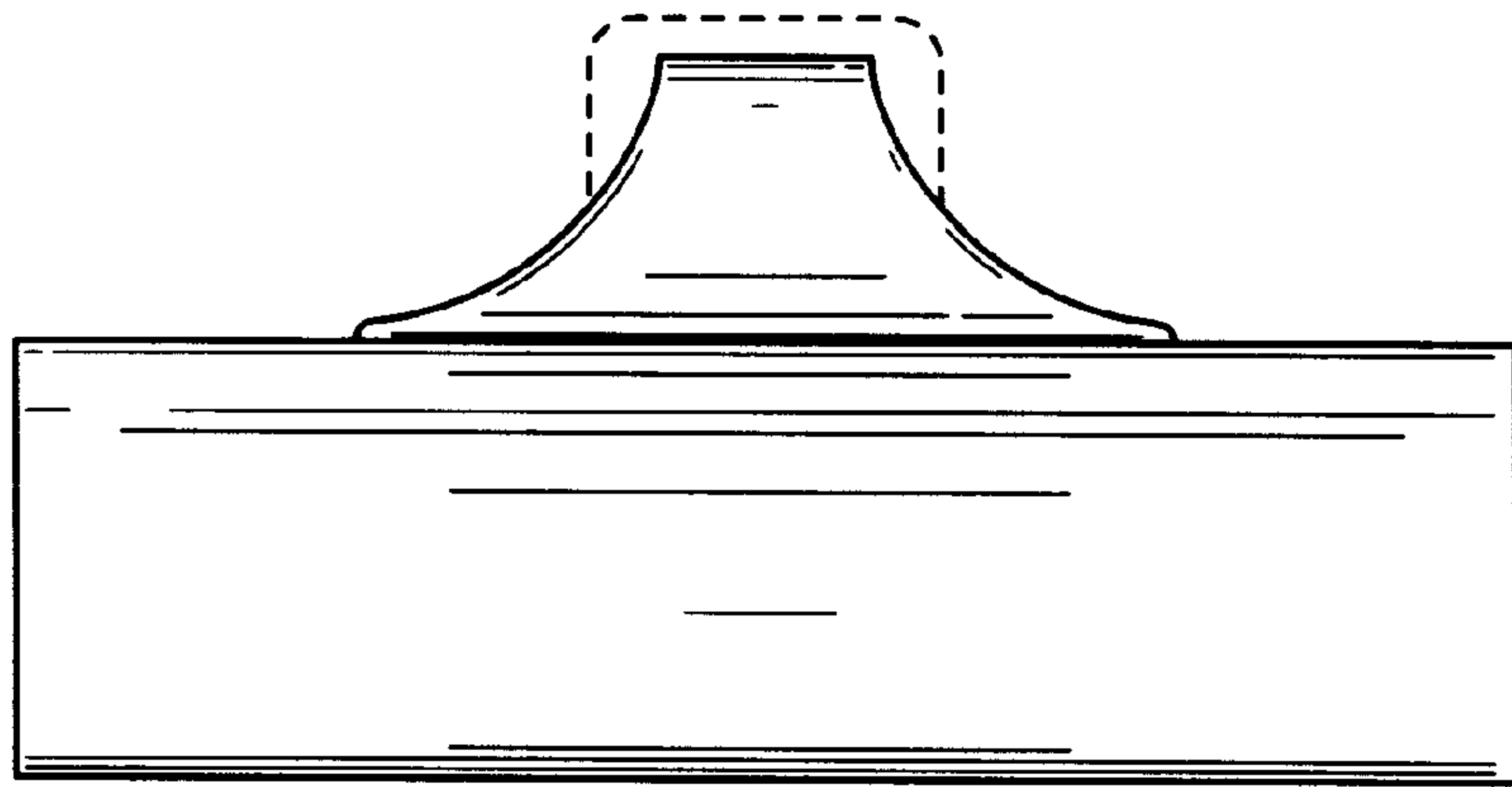


FIG. 5

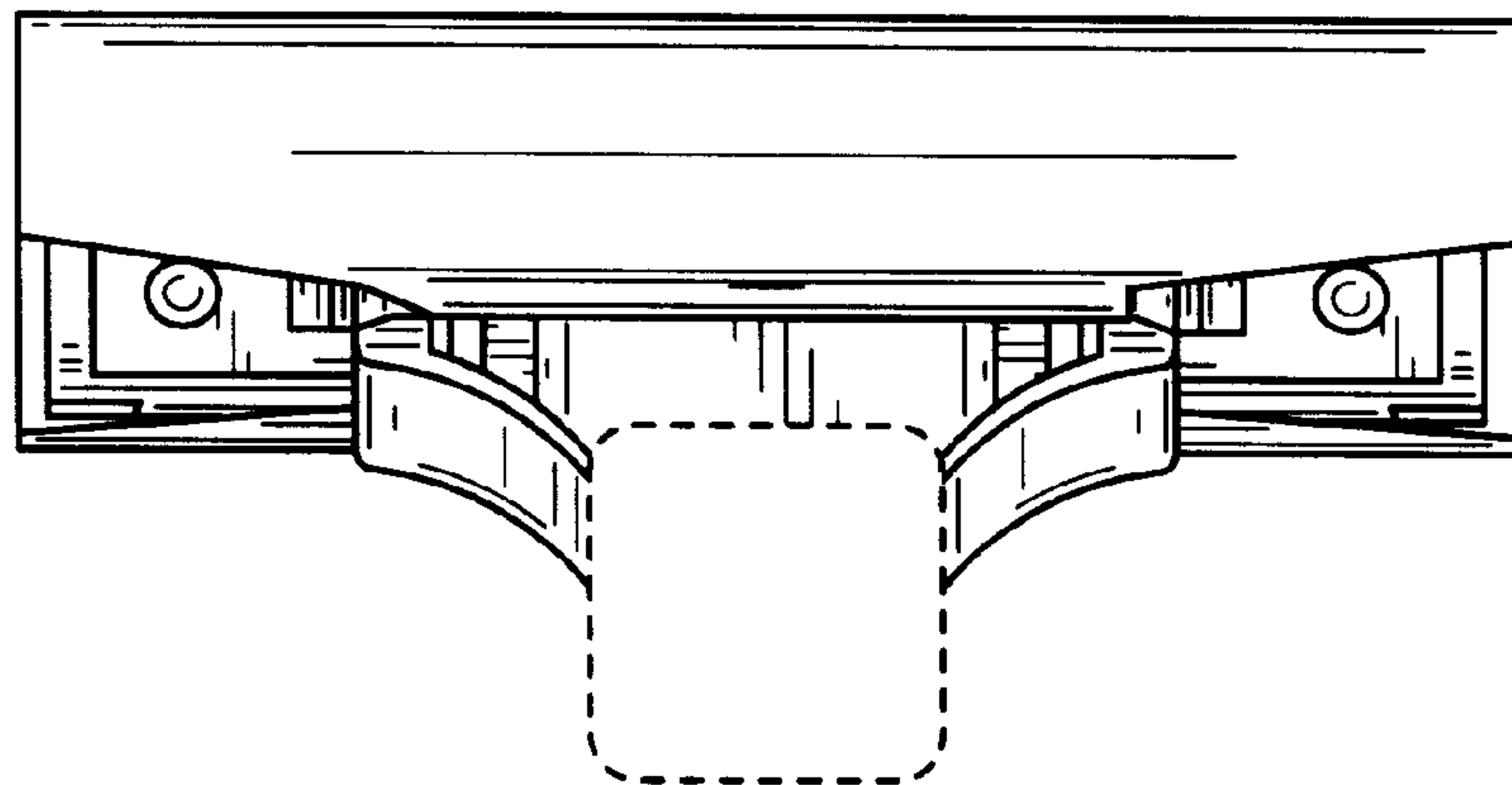


FIG. 6

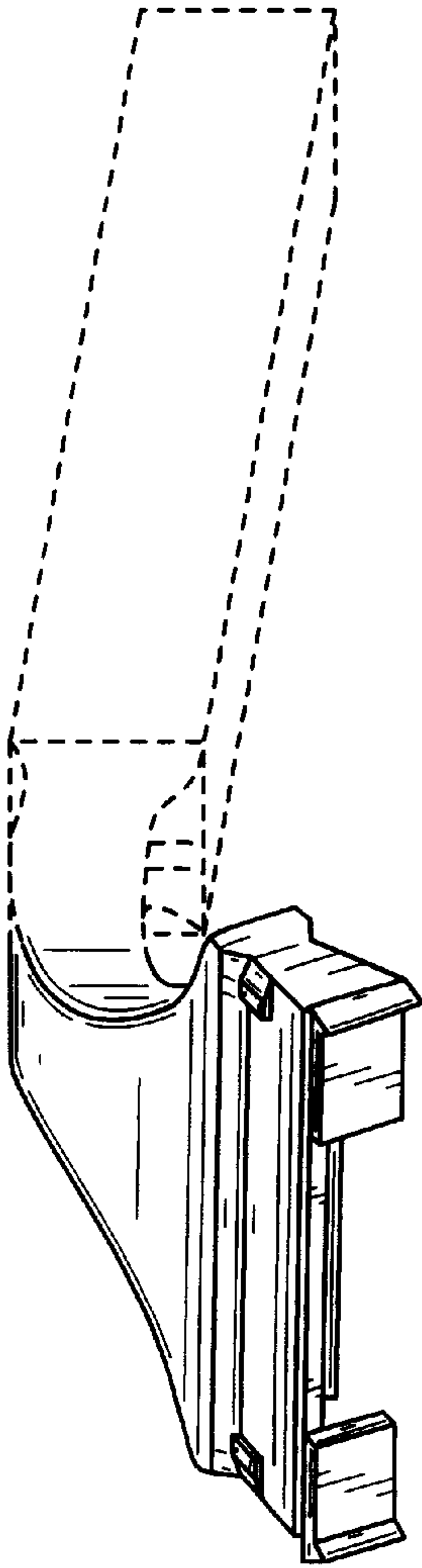


FIG. 7

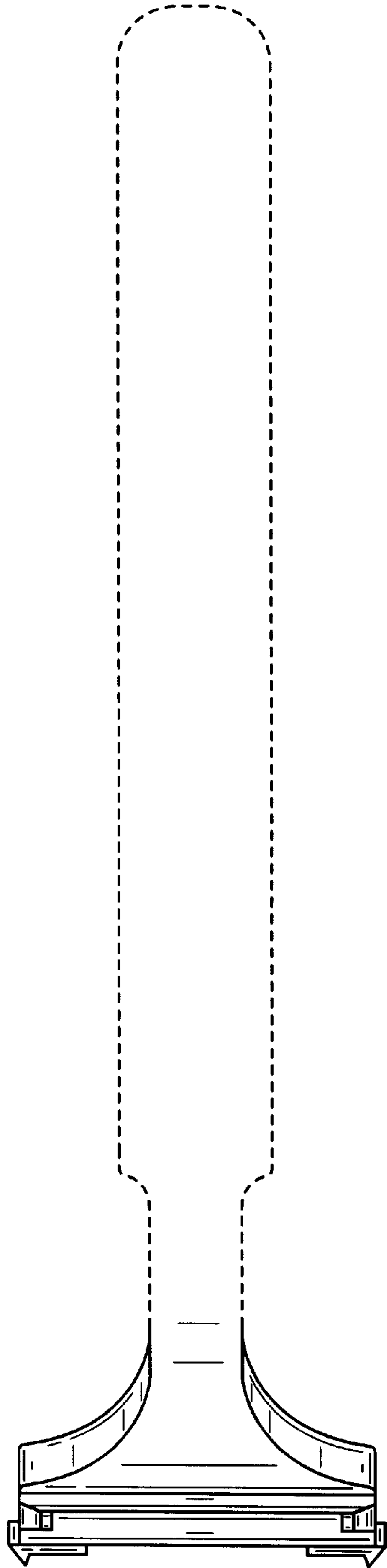


FIG. 8

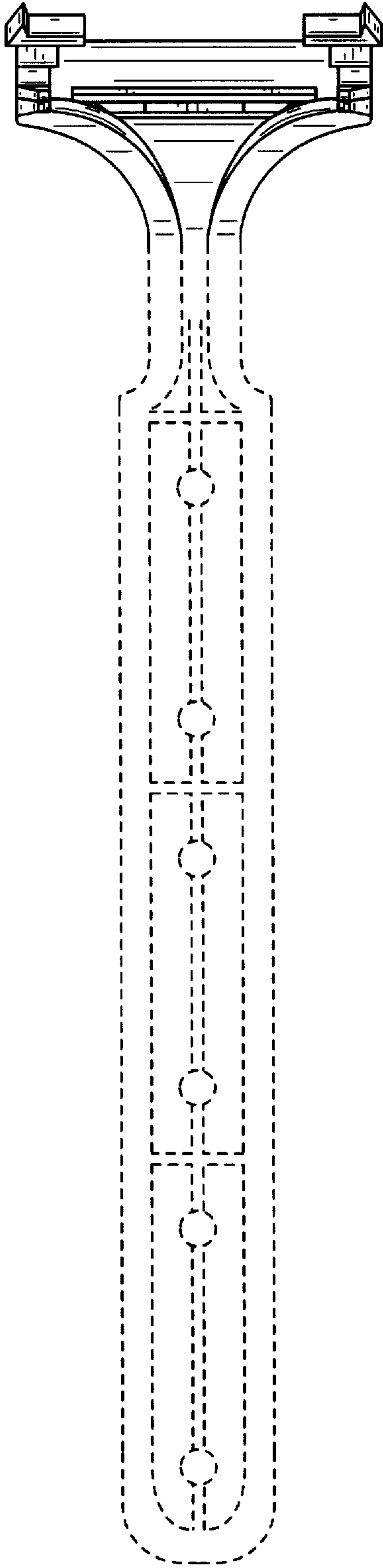


FIG. 9

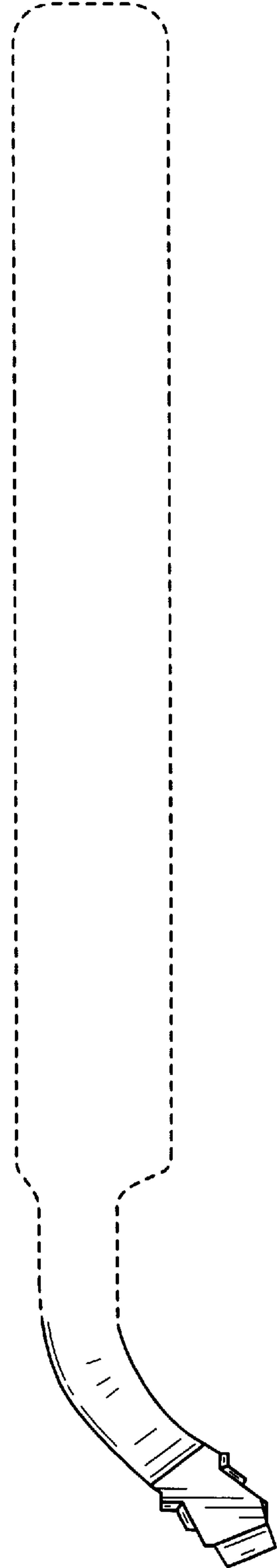


FIG. 10

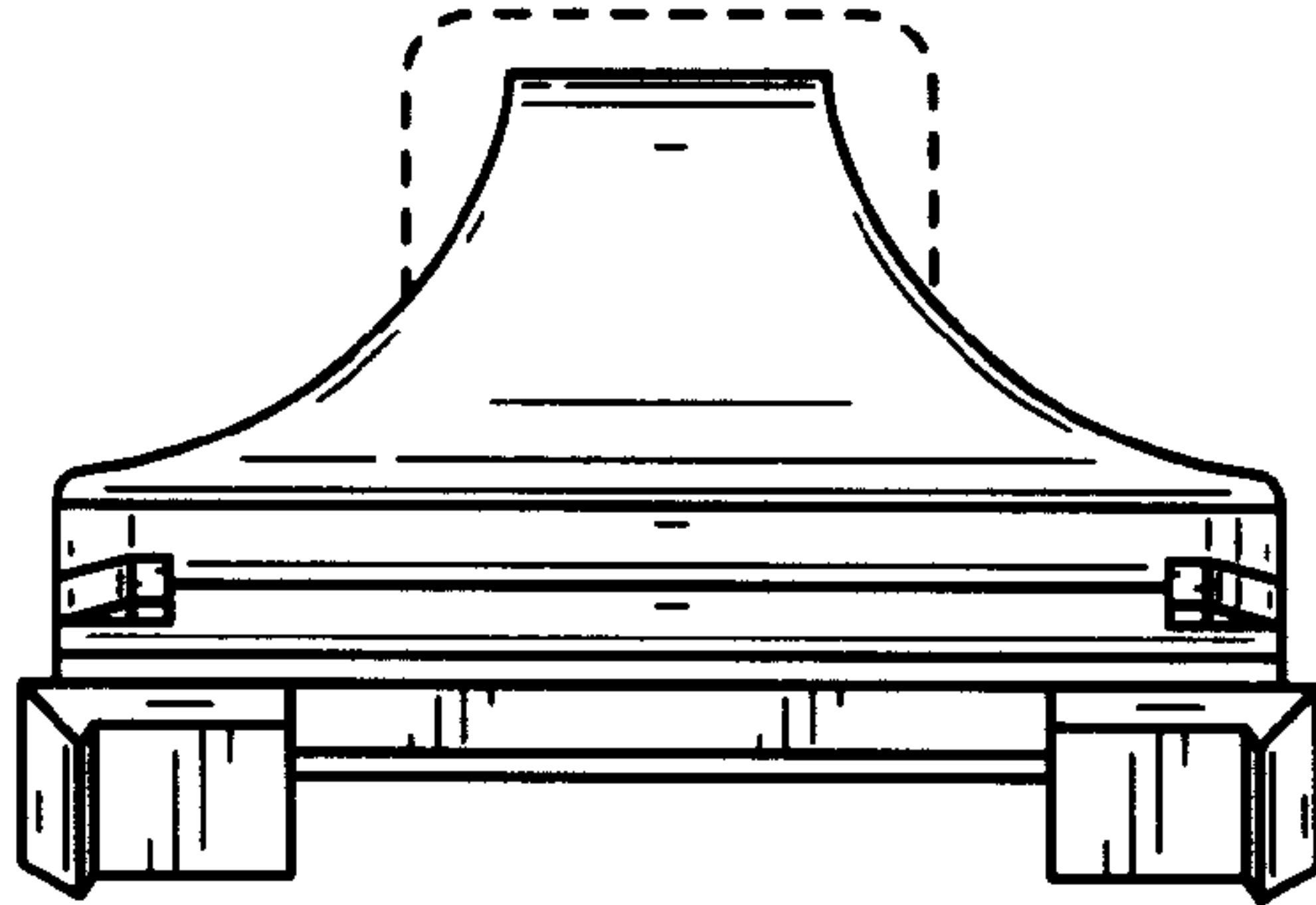


FIG. 11

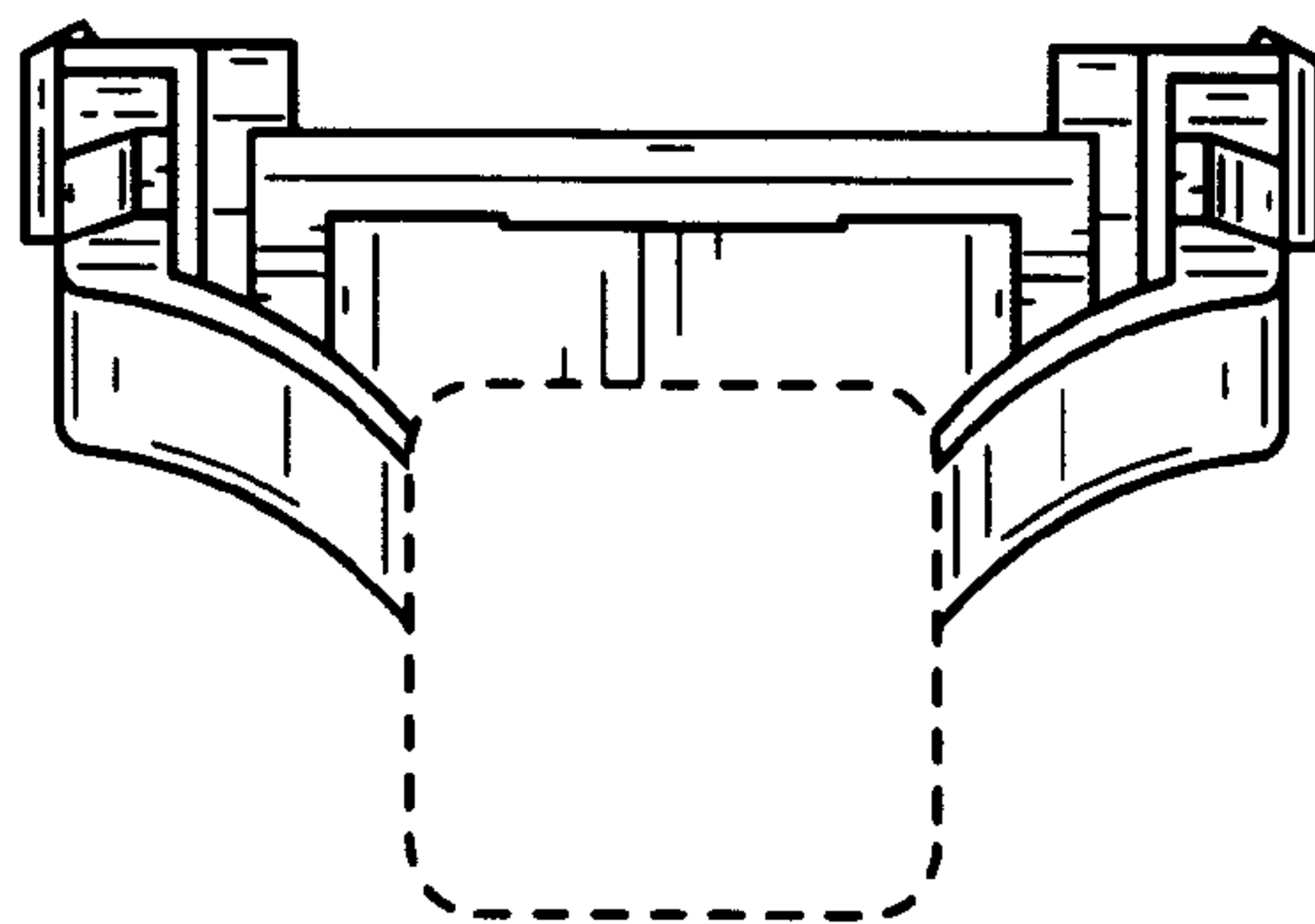


FIG. 12

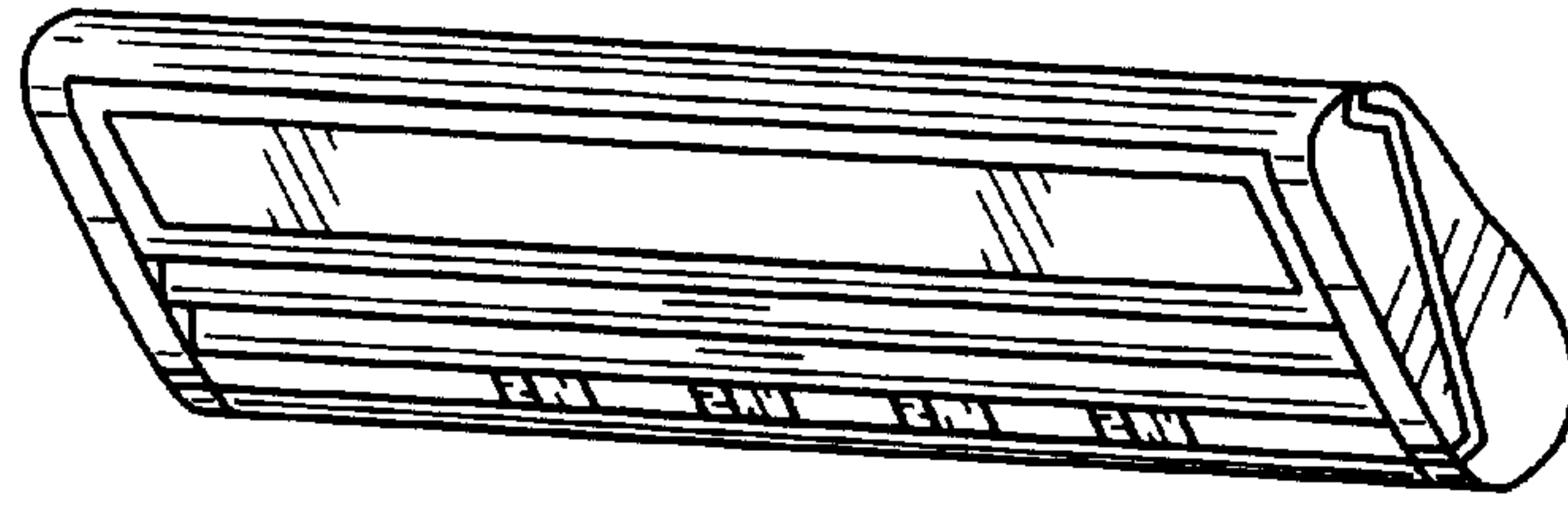


FIG. 13

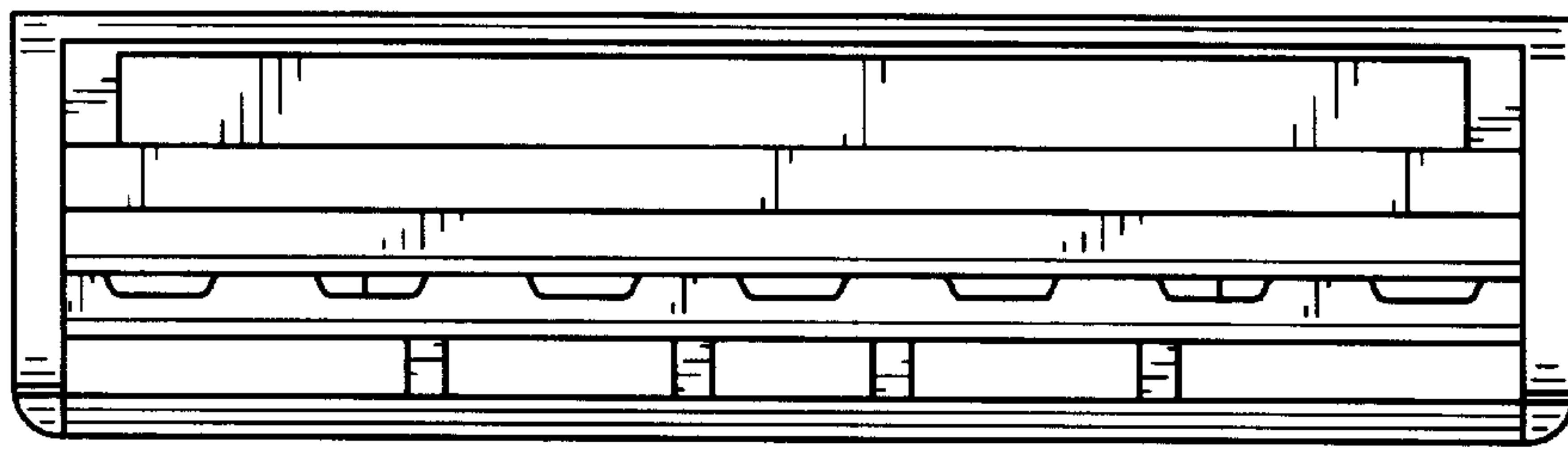


FIG. 14

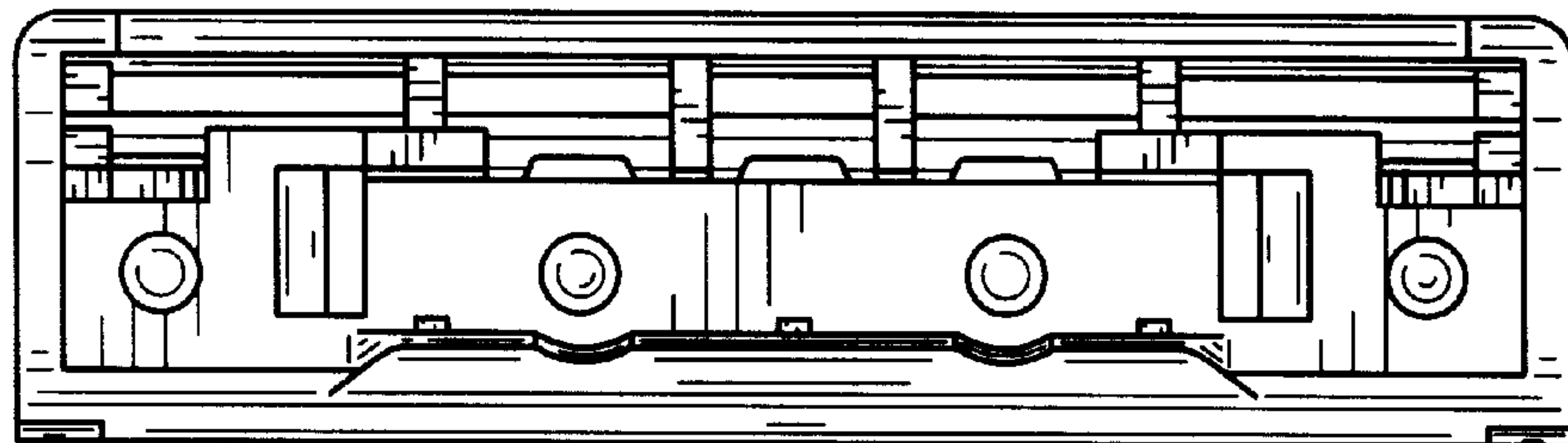


FIG. 15



FIG. 16

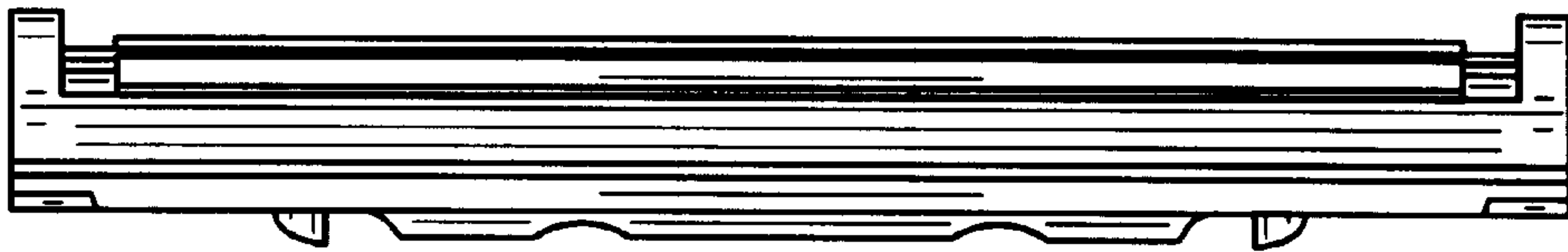


FIG. 17

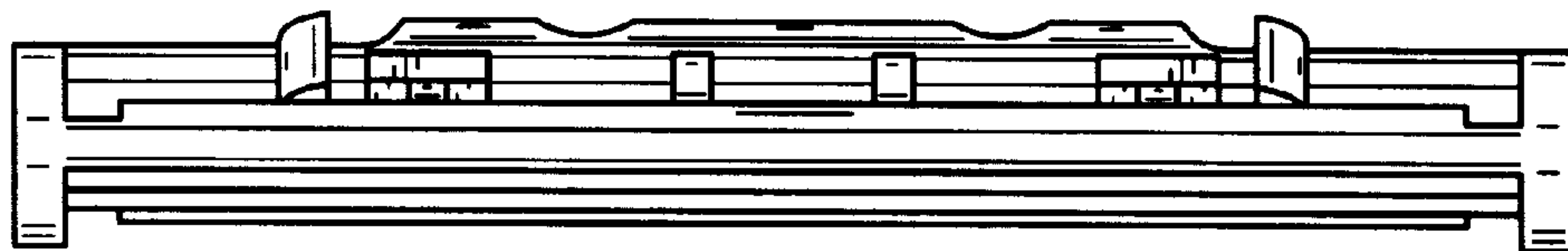


FIG. 18

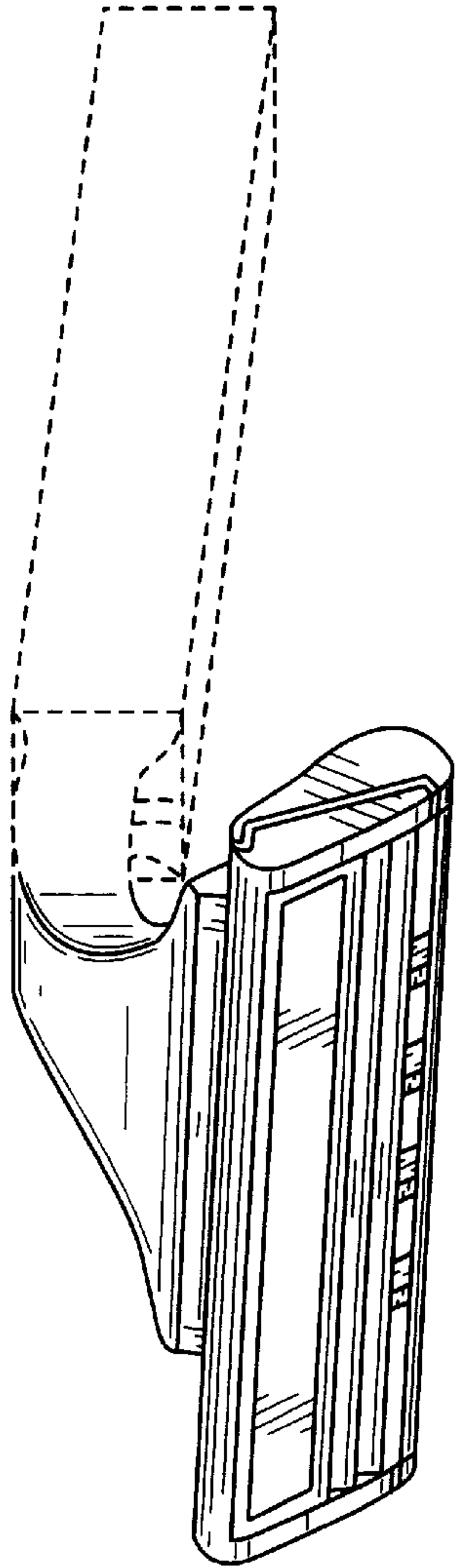


FIG. 19

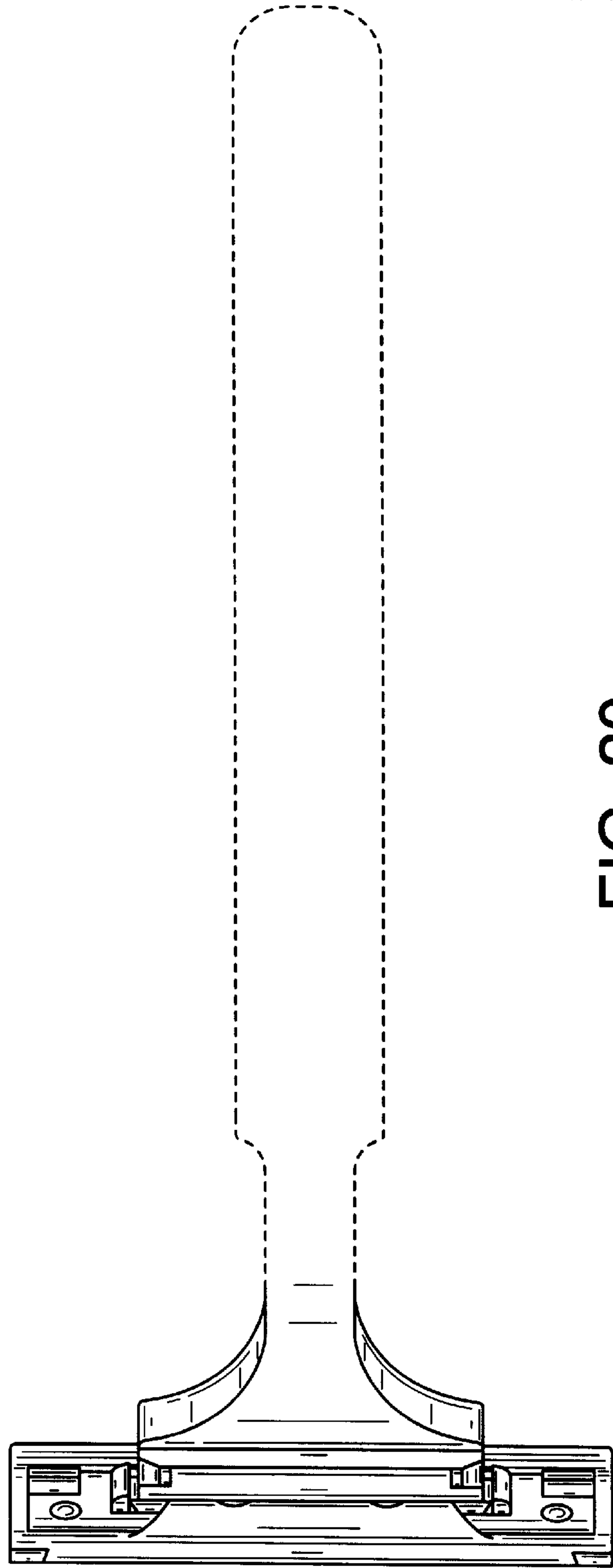


FIG. 20

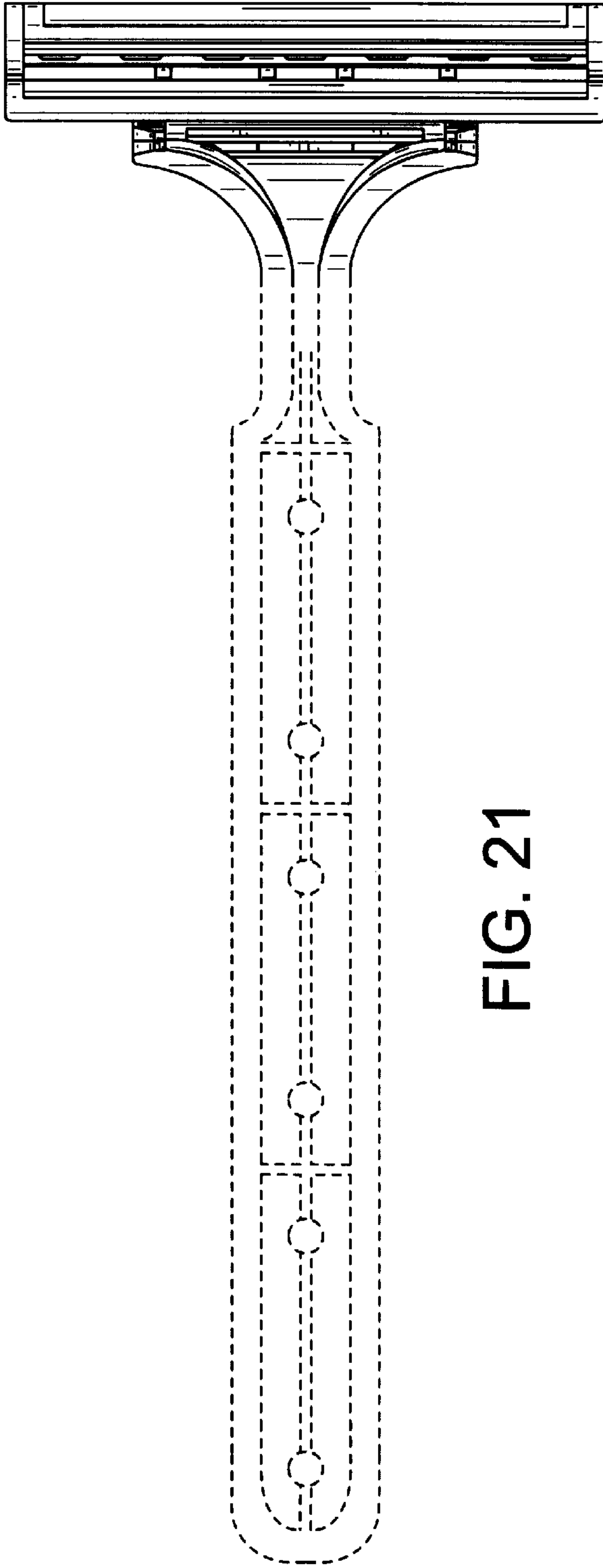


FIG. 21

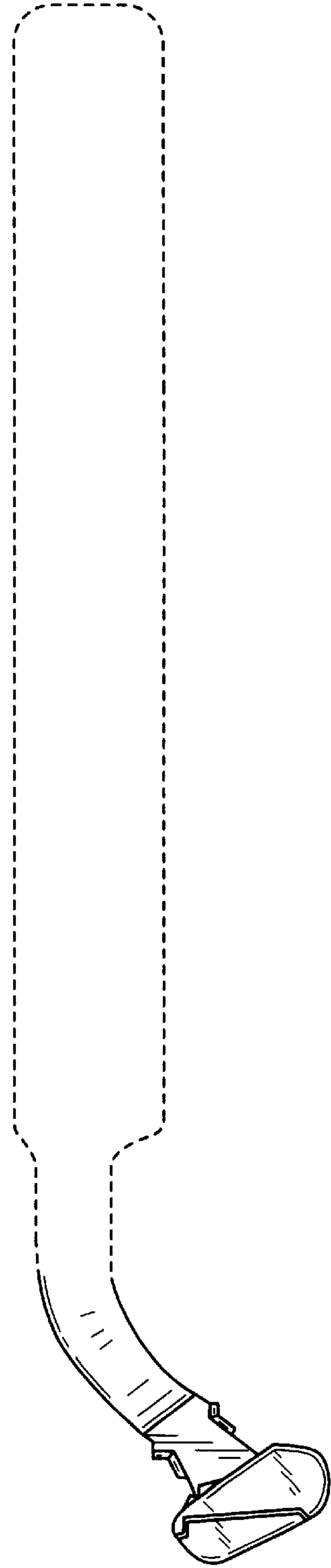


FIG. 22

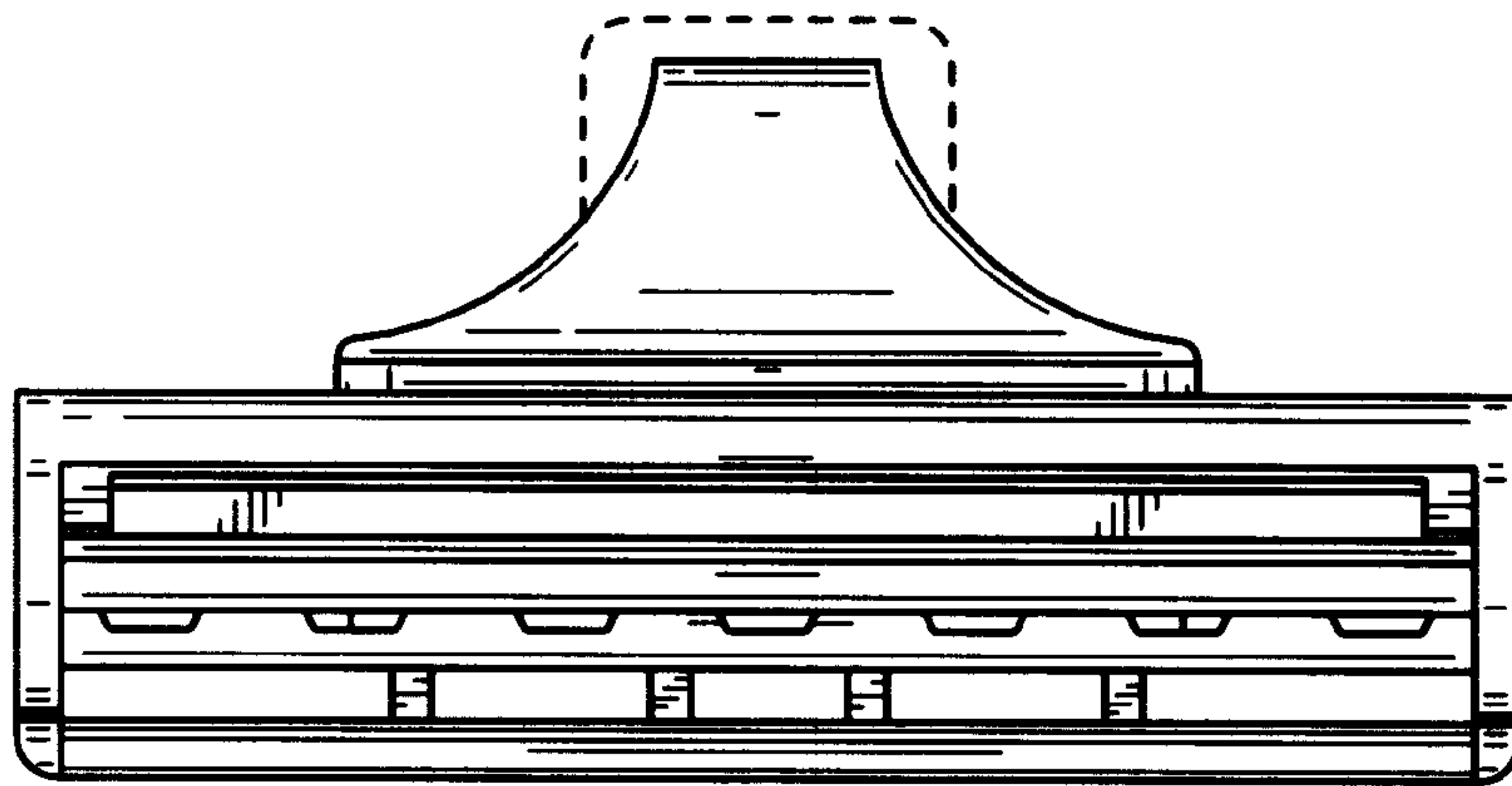


FIG. 23

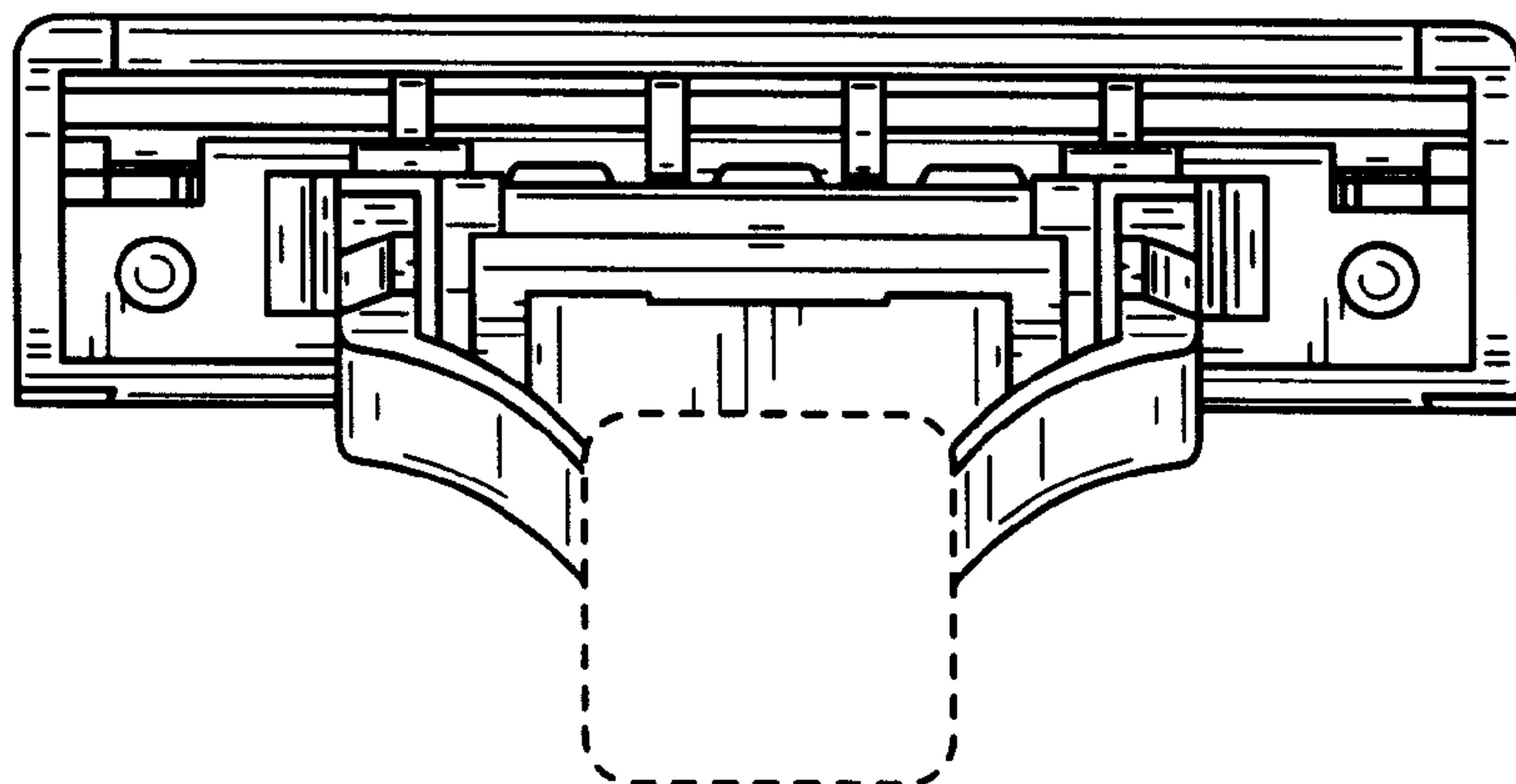


FIG. 24

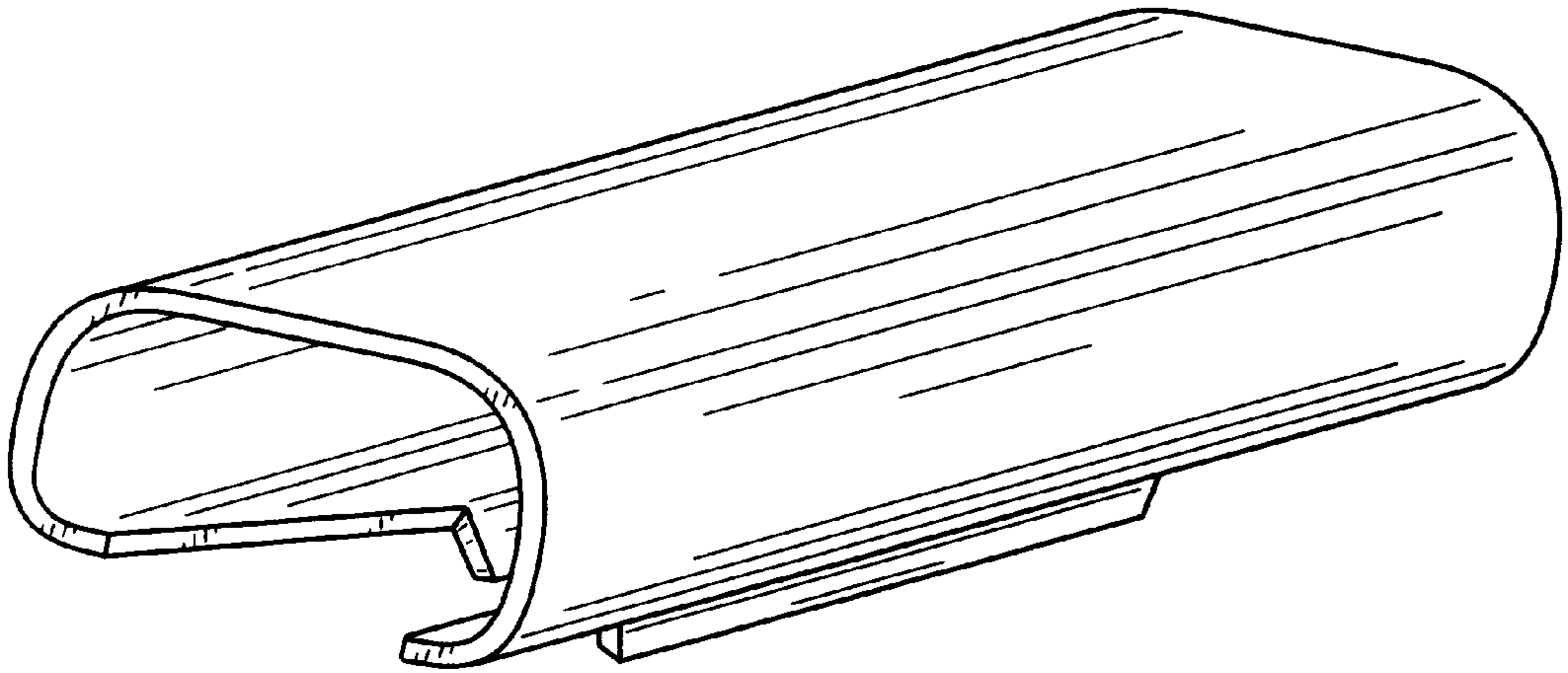


FIG. 25

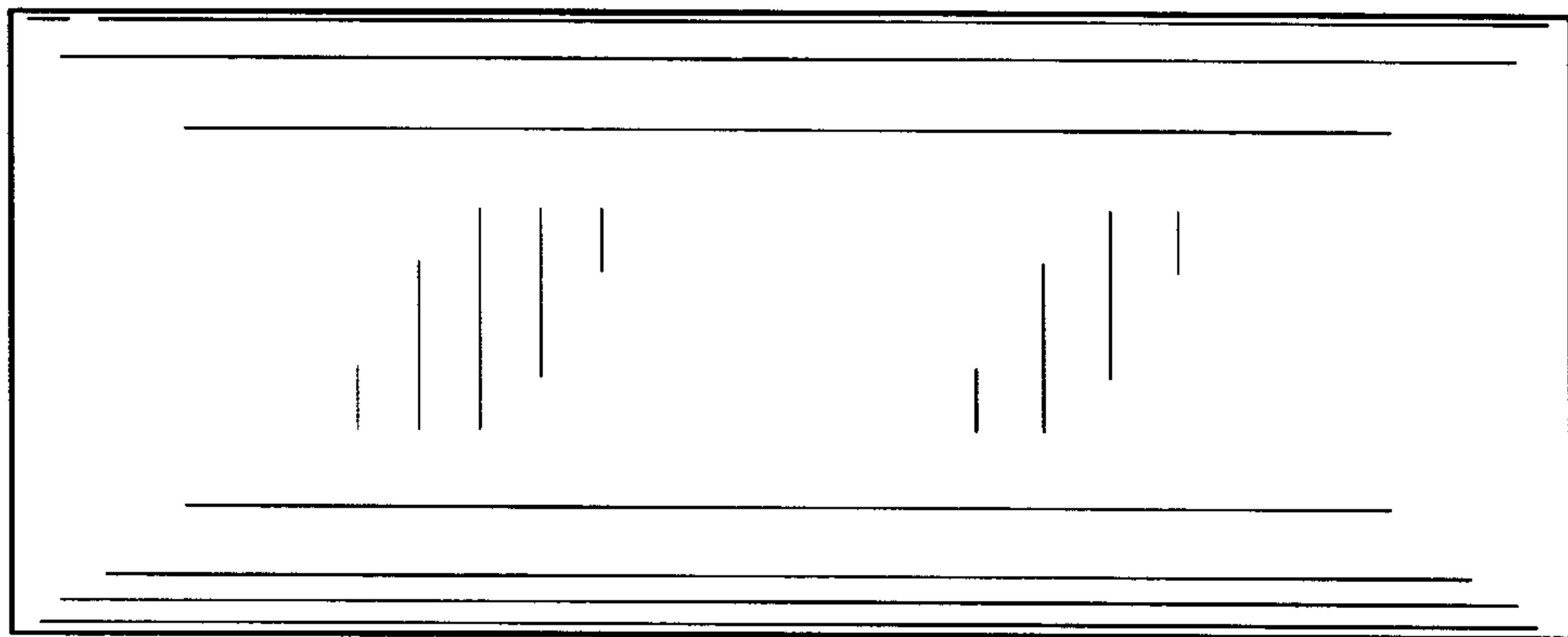


FIG. 26

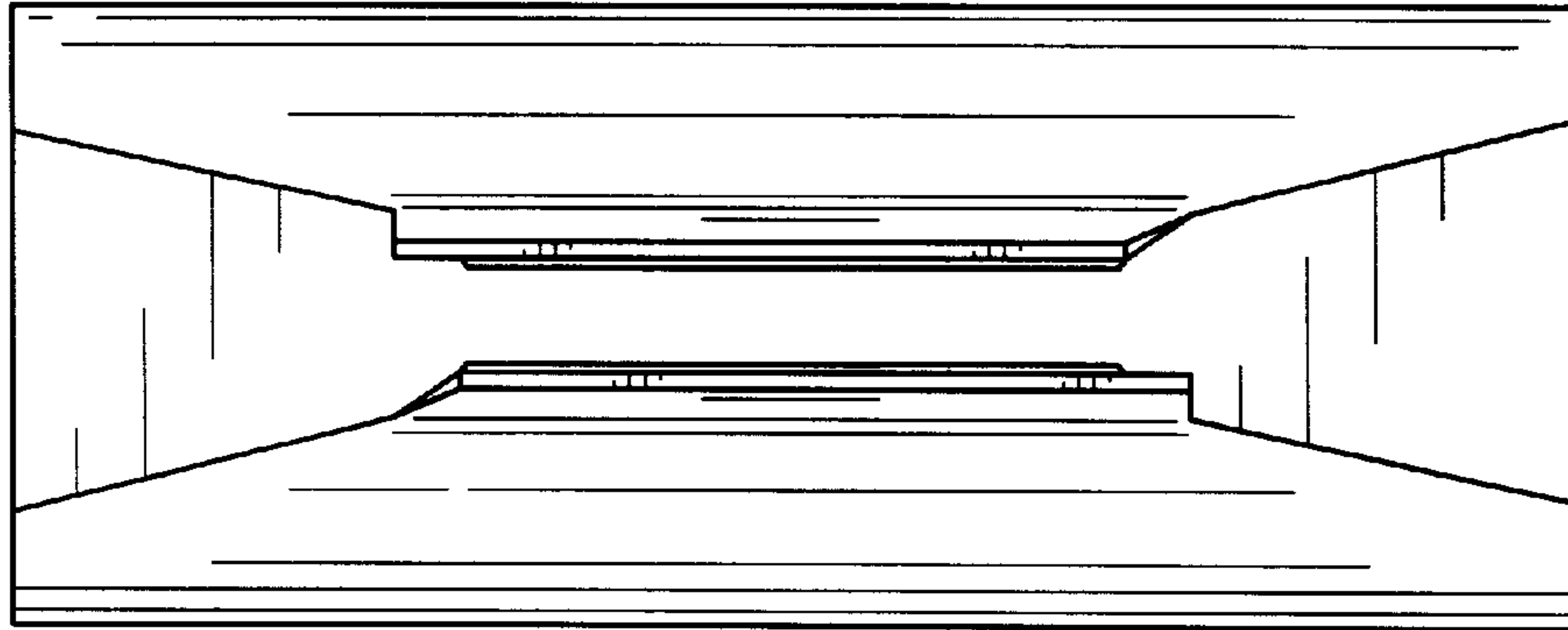


FIG. 27

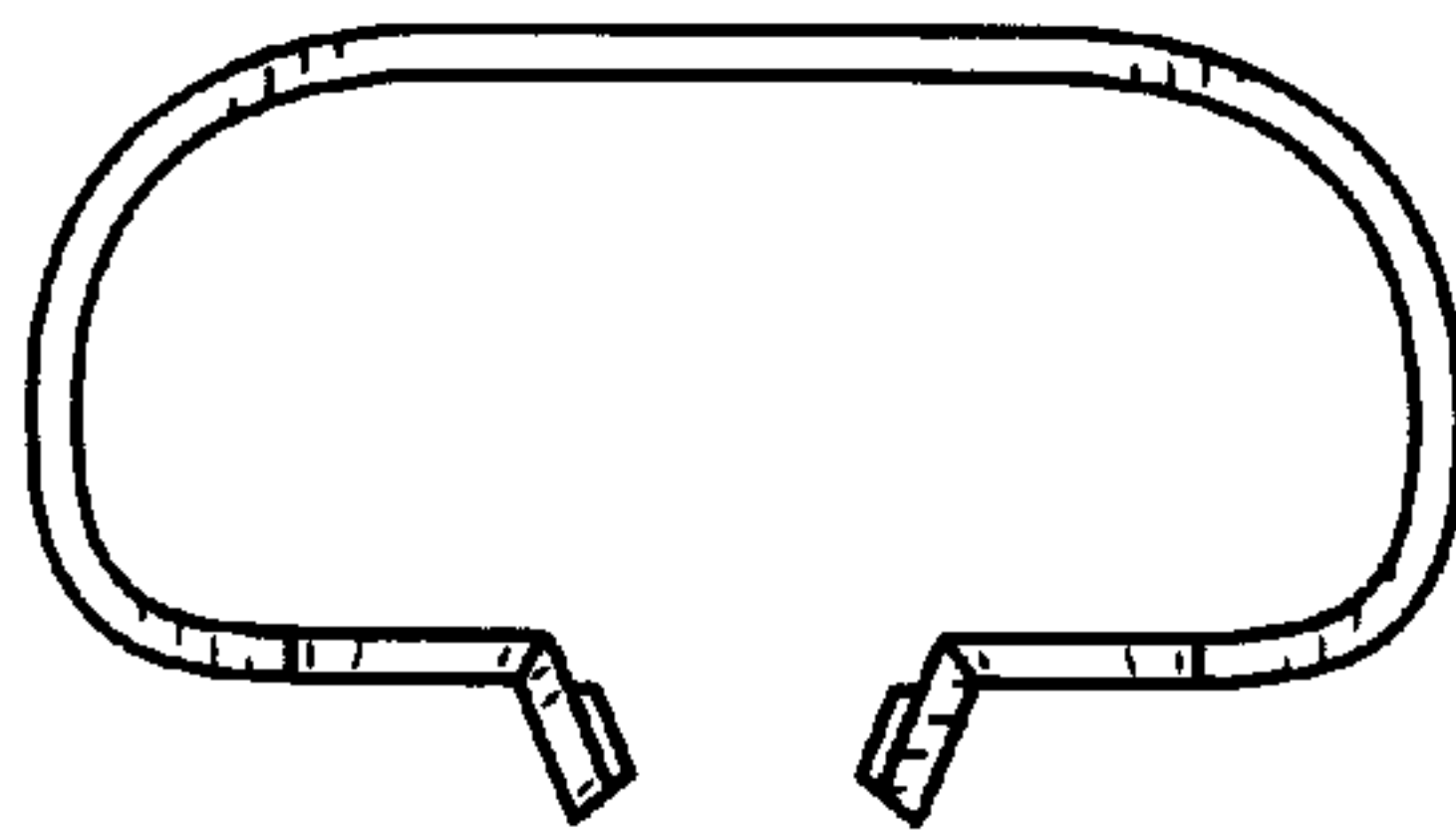


FIG. 28

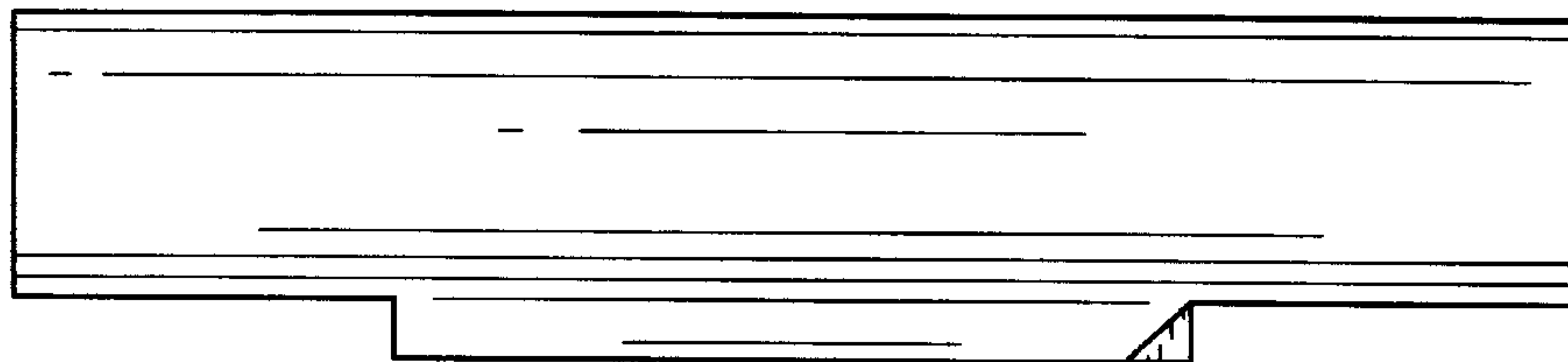


FIG. 29